

## **Produktkatalog 155**

**Alle Preise inkl. 19% MwSt.**

# Table of Contents

155 .....	7
BODY .....	7
MIRROR .....	7
LIGHTNING .....	8
BODY PARTS .....	9
BUMPER/GRILLE/PANEL .....	10
WINDOW REGULATOR .....	11
ENGINE .....	12
AIR SYSTEM.....	12
1,9 TD.....	12
ENGINE BLOCK.....	13
PISTON + LINERS .....	13
1.7/1.8/2.0 16V.....	13
1.8 TS 16V.....	14
2.0 TS 16V.....	15
2.0 TS 8V.....	16
2.5 V6 .....	17
V-BELTS.....	18
TS 8V.....	18
TS 16V.....	19
Turbo Q4 16V.....	20
2.5 V6 .....	21
1.9 TD.....	22
2.5 TD.....	23
FUEL SYSTEM .....	24
TS 8V.....	24
Fuel Pump.....	24
TS 16V.....	25
FUEL PUMP .....	25
Turbo Q4 16V.....	26
FUEL PUMP .....	26
2.5 V6 .....	27
FUEL PUMP .....	27
ENGINE GASKETS .....	28
TS 8V.....	28
GASKETS ENGINE .....	28
HEAD SET .....	29
TS 16V.....	30
ENGINE GASKETS .....	30
HEAD SET .....	31
FULL SET .....	32
HEADSCREW SET .....	33
Turbo Q4 16V.....	34
GASKETS ENGINE .....	34
HEAD SET .....	35
FULL SET .....	36
HEADSCREW SET .....	37

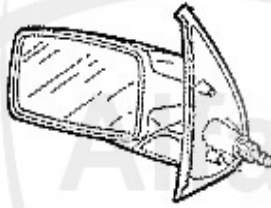
2.5 V6 .....	38
GASKETS ENGINE .....	38
HEAD SET .....	39
FULL SET .....	40
1.9 TD .....	41
GASKETS ENGINE .....	41
HEAD GASKET .....	42
HEAD SET .....	43
HEADSCREW SET .....	44
2.5 TD .....	45
GASKETS ENGINE .....	45
HEAD GASKET .....	46
HEAD SET .....	47
HEADSCREW SET .....	48
COOLING SYSTEM .....	49
TS 8V .....	49
HOUSES .....	49
RADIATOR .....	50
WATERPUMP .....	51
TS 16V .....	52
RADIATOR .....	52
THERMOSTAT .....	53
WATERPUMP .....	54
Turbo Q4 16V .....	55
RADIATOR .....	55
THERMOSTAT .....	56
WATERPUMP .....	57
2.0 Turbo 4x4 .....	58
HOUSES .....	58
2.5 V6 .....	59
RADIATOR .....	59
THERMOSTAT .....	60
WATERPUMP .....	61
1.9 TD .....	62
HOUSES .....	62
RADIATOR .....	63
THERMOSTAT .....	64
WATERPUMP .....	65
OVERFLOW CONTAINER .....	66
2.5 TD .....	67
RADIATOR .....	67
THERMOSTAT .....	68
WATERPUMP .....	69
HOUSES .....	70
ENGINE MOUNT .....	71
TS 8V .....	71
TS16V .....	72
2.5 V6 .....	73
1.9 TD .....	74
2.5 TD .....	75

VALVE GEAR.....	76
TS 8V.....	76
CAMSHAFT .....	76
TIMING CHAIN .....	77
VALVE MECHANISM.....	78
TS16V.....	79
CAMSHAFT .....	79
VALVE MECHANISM.....	80
TIMINGBELT.....	81
Turbo Q4 16V.....	82
CAMSHAFT .....	82
VALVE MECHANISM.....	83
TIMINGBELT.....	84
2.5 V6 .....	85
VALVE MECHANISM/CAMSHAFT .....	85
TIMINGBELT.....	86
1.9 TD.....	87
CAMSHAFT .....	87
VALVE MECHANISM.....	88
TIMINGBELT.....	89
2.5 TD.....	90
CAMSHAFT .....	90
VALVE MECHANISM .....	91
FILTER.....	92
TS 8V.....	92
TS 16V.....	93
Turbo Q4 16V.....	94
2.5 V6 .....	95
1.9 TD.....	96
2.5 TD.....	97
EXHAUST SYSTEM.....	98
EXHAUST SYSTEM.....	98
TS 8V.....	98
TS 16V >4.1996 .....	99
TS 16V 5.1996> .....	100
Turbo Q4 16V.....	101
2.5 V6 .....	102
1.9 TD.....	103
1.9 TD KAT.....	104
2.5 TD.....	105
SPORT EXHAUST SYSTEM .....	106
TS 8V.....	106
TS 16V 5.1996> .....	107
2.5 V6 .....	108
LAMBDA PROBE.....	109
TS 8V.....	109
TS 16V >4.1996 .....	110
TS 16V 5.1996> .....	111
Turbo Q4 16V.....	112
2.5 V6 .....	113

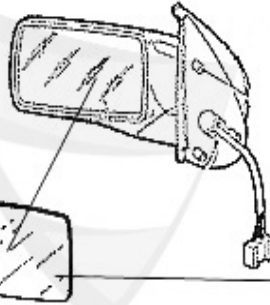
2.5 TD.....	114
DRIVETRAIN.....	115
DRIVE SHAFT .....	115
TS 8V.....	115
TS 16V >4.1996 .....	116
TS 16V 5.1996> .....	117
2.5 V6 .....	118
1.9 TD.....	119
2.5 TD.....	120
CLUTCH .....	121
CLUTCH SET TS 8V.....	121
GUIDE BUSH f. SLEEVE BEARING TS 8V.....	122
CLUTCH SET TS 16V >4.1996 .....	123
GUIDE BUSH f. SLEEVE BEARING TS 16V >4.1 .....	124
CLUTCH SET TS 16V 5.1996> .....	125
GUIDE BUSH f. SLEEVE BEARING TS 16V 5.19.....	126
CLUTCH SET Turbo Q4 16V.....	127
CLUTCH SET 2.5 V6.....	128
GUIDE BUSH f. SLEEVE BEARING 2.5 V6 .....	129
CLUTCH SET 1.9 TD.....	130
GUIDE BUSH f. SLEEVE BEARING 1.9 TD.....	131
CLUTCH SET 2.5 TD.....	132
GUIDE BUSH f. SLEEVE BEARING 2.5 TD.....	133
CLUTCH ACTUATION.....	134
TS 8V.....	134
TS 16V >4.1996 .....	135
TS 16V 5.1996> .....	136
Turbo Q4 16V.....	137
2.5 V6 .....	138
1.9 TD.....	139
2.5 TD.....	140
BRAKE.....	141
BRAKE DISKS .....	141
BRAKE PADS FRONT .....	142
BRAKE PADS REAR.....	143
CALIPER FRONT PETROL VERSIONS.....	144
CALIPER FRONT DIESEL VERSIONS .....	145
CALIPER REAR.....	146
BRAKE SERVO/BRAKE MASTER CYL.....	147
BRAKE HOSES .....	148
BRAKE CABLE.....	149
SUSPENSION .....	150
STRUT TS 8V .....	150
STRUT TS 16V .....	151
STRUT Turbo Q4 16V .....	152
STRUT 2.5 V6.....	153
STRUT 1.9 TD .....	154
STRUT 2.5 TD .....	155
ATTACHMENT FRONT.....	156
WHEEL BEARING TS 8V .....	157

WHEEL BEARING TS 16V .....	158
WHEEL BEARING Turbo Q4 16V .....	159
WHEEL BEARING 2.5 V6 .....	160
WHEEL BEARING 1.9 TD .....	161
WHEEL BEARING 2.5 TD .....	162
STEERING .....	163
STEERING PARTS .....	163
ELECTRIC .....	164
FUSE .....	164
ENGINE ELECTRIC .....	165
GLOW PLUG.....	165
SENSORS.....	166
IGNITION SYSTEM TS 8V .....	167
IGNITION SYSTEM TS 16V .....	168
IGNITION SYSTEM Q4.....	169
IGNITION SYSTEM 2.5 V6.....	170
AGGREGATS TS 8V .....	171
AGGREGATS TS 16V .....	172
AGGREGATS Q4 .....	173
AGGREGATS 2.5 V6.....	174
AGGREGATS 1.9 TD.....	175
AGGREGATS 2.5 TD.....	176
WIPERS.....	177
WIPERS.....	177

# Aussenspiegel/Mirror 155



- 1. ASP 84080  
links/left manuell
- 2. ASP 85080  
rechts/right manuell



- 3. ASP 01033  
links/left electr.  
>1996

- 4. ASP 01034  
rechts/right electr.  
>1996

- 5. ASP 33099  
links/left electr.  
1996>

- 6. ASP 72099  
rechts/right electr.  
1996>

- 8. ASP 78353  
links/left

- 9. ASP 78352  
rechts/right

3 ASP01033

OE.11297780 outer mirror electric version LEFT 155 yea

295.00 EUR

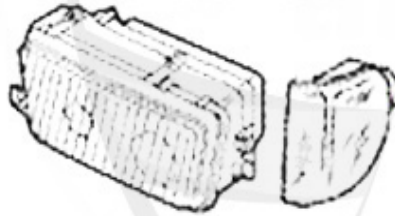
# Beleuchtung/Lightning 155

**1. SW 05904**  
links/left  
- LEW/adjustment

**2. SW 05905**  
rechts/right  
- LEW/adjustment

**3. SW 85105**  
links/left  
+ LEW/adjustment

**4. SW 85106**  
rechts/right  
+ LEW/adjustment



**5. BL 05906**  
links/left

**6. BL 05907**  
rechts/right



**9. ZBL 03161**  
rechts/right

**10. ZBL 03162**  
links/left

**13. RL 68442**  
rechts/right



**7. NSW 13534**  
links/left

**8. NSW 13535**  
rechts/right

**11. RL 68443**  
links/left

**12. HZB 68444**



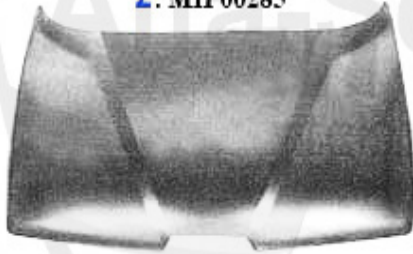
<b>1</b>	<b>SW05904</b>	<b>Hauptscheinwerfer links 155 (ohne L EW)</b>	<b>142.60 EUR</b>
<b>2</b>	<b>SW05905</b>	<b>Hauptscheinwerfer rechts 155 (ohne LEW)</b>	<b>142.60 EUR</b>
<b>3</b>	<b>SW85105</b>	<b>HEADLAMP LEFT 155</b>	<b>189.78 EUR</b>
<b>4</b>	<b>SW85106</b>	<b>HEADLAMP RIGHT 155 WITH ELECTRICAL ADJUSTMENT</b>	<b>189.78 EUR</b>
<b>7</b>	<b>NSW13534</b>	<b>FOG LAMP LEFT 155</b>	<b>56.42 EUR</b>
<b>8</b>	<b>NSW13535</b>	<b>FOG LAMP RIGHT 155</b>	<b>56.42 EUR</b>
<b>9</b>	<b>ZBL03161</b>	<b>ADDITIONAL TURN SIGNAL LAMP RIGHT 145/6, 155,GTV/SPIDER</b>	<b>Preis auf Anfrage</b>
<b>10</b>	<b>ZBL03162</b>	<b>ADDITIONAL TURN SIGNAL LAMP LEFT 145/6, 155,GTV/SPIDER</b>	<b>Preis auf Anfrage</b>

# Karosserieteile/Body Parts 155

**1. GF 9093**  
Gasfeder Motorhaube/  
gasspring engine bonnet



**2. MH 00285**



**7. GF 8429**  
Gasfeder Heckklappe/  
gasspring back door  
- spoiler



**8. GF 8432**  
Gasfeder Heckklappe/  
gasspring back door  
+ spoiler

**3. KF 02103**  
links/left  
> 1996



**5. KF 02105**  
links/left  
1996>

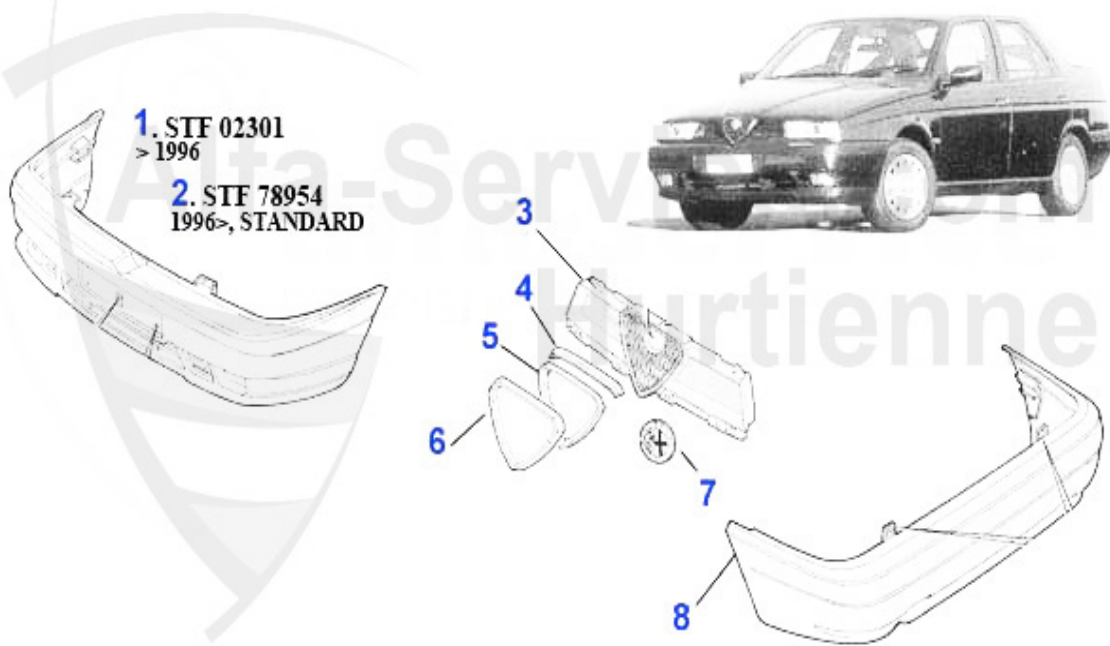
**6. KF 02106**  
rechts/right  
1996>



**4. KF 02104**  
rechts/right  
> 1996

<b>1</b>	<b>GF9093</b>	OE.60564112, gas spring for bonnet	<b>39.50 EUR</b>
<b>2</b>	<b>MH00285</b>	Mororhaube 155	<b>306.73 EUR</b>
<b>3</b>	<b>KF02103</b>	MUDGUARD FRONT LEFT 155 >4.95	<b>133.36 EUR</b>
<b>4</b>	<b>KF02104</b>	MUDGUARD FRONT RIGHT 155 >4.95	<b>133.36 EUR</b>
<b>5</b>	<b>KF02105</b>	MUDGUARD LEFT 155 4.95>	<b>143.51 EUR</b>
<b>6</b>	<b>KF02106</b>	MUDGUARD RIGHT 155 4.95>	<b>143.51 EUR</b>
<b>7</b>	<b>GF8429</b>	OE.60583192 gas spring for boot lid 155 with spoiler	<b>29.64 EUR</b>
<b>8</b>	<b>GF8432</b>	OE.60540532 pneumatic spring 155 rear trunk lid, withou	<b>29.64 EUR</b>

# Stoßstangen/Bumpers 155



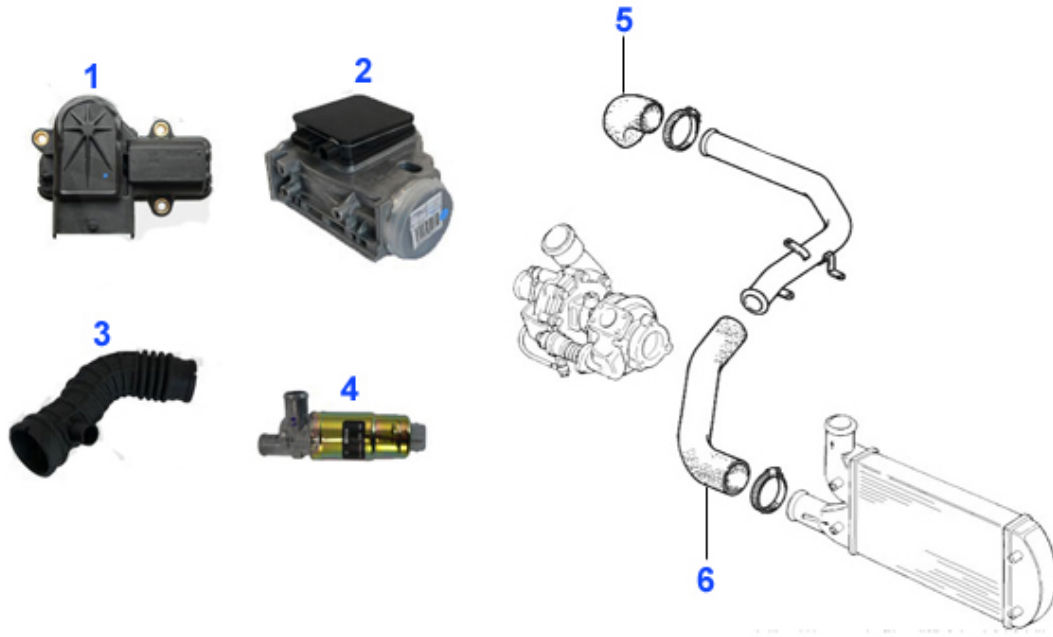
1	STF02301	FRONT BUMPER 155 >4.95	255.45 EUR
2	STF78954	Stoßfänger vorne 155 Bj. 8.95> für Modelle: Standard/S	Preis auf Anfrage
3	KG77794	RADIATOR GRILLE PRIMING 155	70.00 EUR
4	KG72984	Dichtung Kühlergrill/Alfaherz 155	12.21 EUR
7	23 033 3 0	ALFA ROMEO-EMBLEM - 75 mm metal OE. 60596492	26.50 EUR
7	23 038 0 0	ALFA EMBLEM 75mm METAL (ADHESIVE BONDING) 33,75,145/6,1	19.00 EUR
8	STF78957	REAR BUMPER 155	Preis auf Anfrage

## 155 > BODY > WINDOW REGULATOR



1	FH010118	WINDOW REGULATOR COMPLETE 155 FRONT RIGHT (AFTERMARKET	123.00 EUR
1	FH010119	WINDOW REGULATOR COMPLETE 155 FRONT LEFT (AFTERMARKET P	123.00 EUR
2	FH010120	WINDOW REGULATOR COMPLETE 155 REAR RIGHT (AFTERMARKET P	198.99 EUR
2	FH010121	WINDOW REGULATOR COMPLETE 155 REAR LEFT (AFTERMARKETPRO	198.99 EUR

## 155 > ENGINE > AIR SYSTEM > 1,9 TD



<b>1</b>	<b>LR13829</b>	<b>OE. 71713829 ELECTRO-VALVE</b>	<b>Preis auf Anfrage</b>
<b>2</b>	<b>LMM69704</b>	<b>OE. 60569704 FLOWMETER 155, 164/Super 2.0 TS 8V</b>	<b>545.00 EUR</b>
<b>3</b>	<b>LMM07008</b>	<b>OE. 46407007 FLOWMETER TS 16V</b>	<b>348.99 EUR</b>
<b>4</b>	<b>LR37024</b>	<b>OE. 7637024 IDLE VALVE BOSCH 155,164, gtv/spider (916)</b>	<b>Preis auf Anfrage</b>
<b>5</b>	<b>KWS31298</b>	<b>Ladeluftschlauch am Turbolader 145/146/155 1,9 TD</b>	<b>45.65 EUR</b>
<b>6</b>	<b>KWS60171</b>	<b>Kühlwasserschlauch zum Ladeluftkühler 155 1.9 TD</b>	<b>21.85 EUR</b>



1 KB4062

PISTON AND LINER 155 1.7/1.8/2.0 TS 16V

159.00 EUR



1 KB24126

OE. 71713064 PISTON 1.8 TS 16V AR32201

159.01 EUR



1 KB24100

OE. 5895173 PISTON 2.0 TS 16V (AR162201/32301)

184.45 EUR

155 > ENGINE > ENGINE BLOCK > PISTON + LINERS > 2.0 TS 8V



1	KB2421	OE. 60778832 PISTON E LINER ASS 2.0 TS 8V 155,164 ORIGI	179.00 EUR
2	KR46450	Piston ring set 75,155/2,0/1,5+1,5+3,5 SERIES 4 SPIDER	150.00 EUR



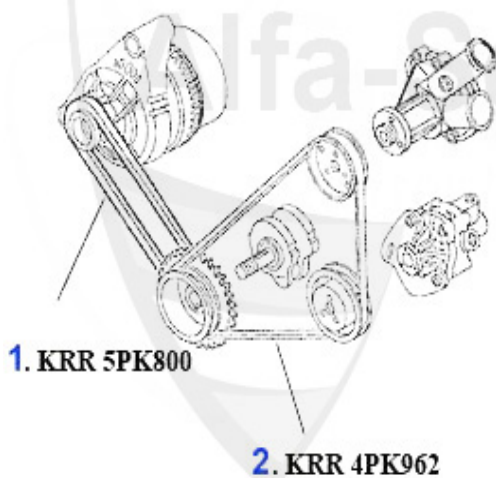
1 KB4045

PISTON/LINER 6,75,90,155 ALFETTA/GTV 6 2.5 V6 1984-97

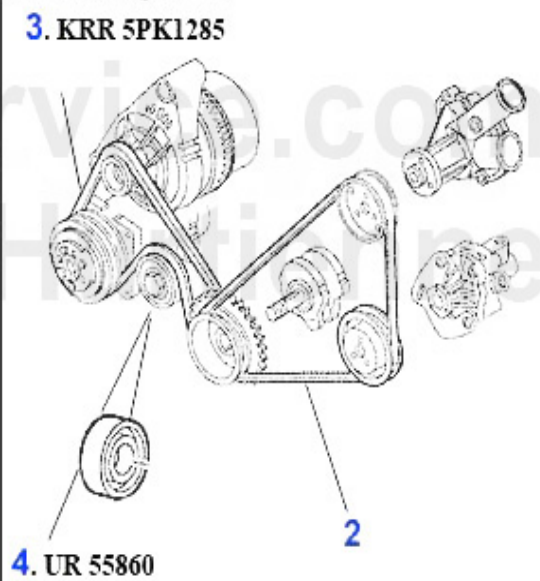
179.00 EUR

# Keilriemen/V-Belt 155 TS 8V

ohne/without  
Klimaanlage/AC:



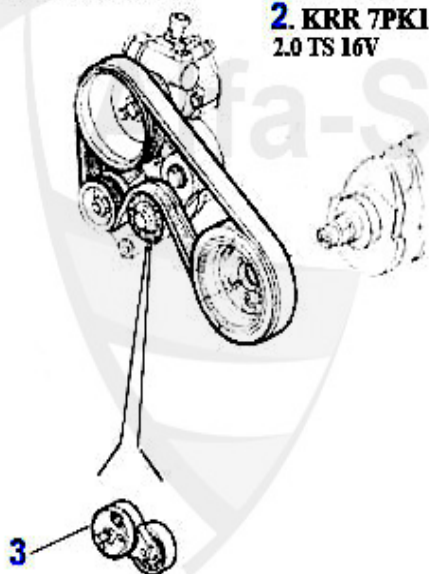
mit/with  
Klimaanlage/AC:



1	KRR5PK800	Keilrippenriemen 5PK800 155 1.7/1.8 /2.0 TS 8V,164 Sup	14.88 EUR
2	KRR4PK962	Keilrippenriemen 4PK962 155 1.7/1.8 /2.0 TS, 164 Super	19.90 EUR
3	KRR5PK1285	TIME BELT 5PK1285 155 1.7/1.8/2.0 TS 164/SUPER 2.0 TS 9	22.05 EUR
4	UR55860	IDLER PULLEY V-RIBBED BELT 145/6,155, 164	23.80 EUR

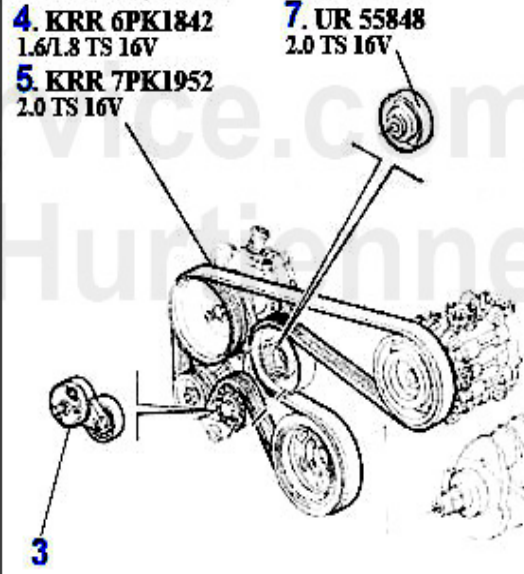
## Keilrippenriemen 155 TS 16V

ohne/without  
Klimaanlage/AC:



- 1. KRR 6PK1045**  
1.6/1.8 TS 16V
- 2. KRR 7PK1083**  
2.0 TS 16V

mit/with  
Klimaanlage/AC:

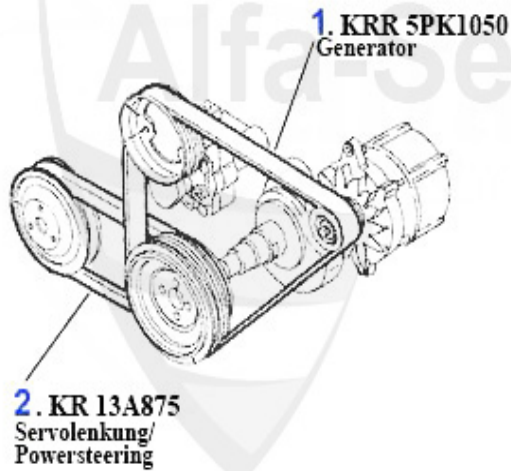


- 4. KRR 6PK1842**  
1.6/1.8 TS 16V
- 5. KRR 7PK1952**  
2.0 TS 16V
- 6. UR 55849**  
1.6/1.8 TS 16V
- 7. UR 55848**  
2.0 TS 16V

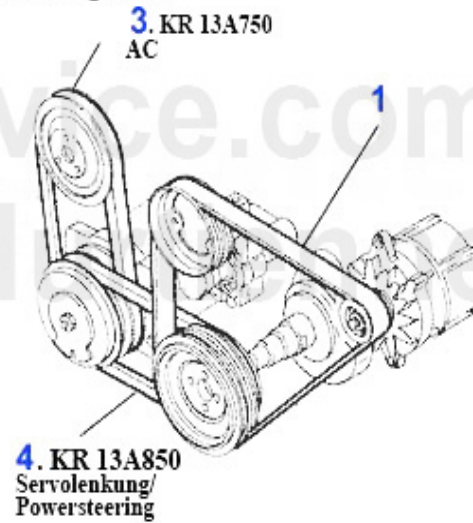
<b>1</b>	<b>KRR6PK1045</b>	Keilrippenriemen 6PK1045 145/6 Bj. 97>,155,156,gtv&spid	<b>20.00 EUR</b>
<b>2</b>	<b>KRR7PK1083</b>	Keilrippenriemen 7PK1083 145/6,155 156,166,gtv/spider (	<b>35.90 EUR</b>
<b>3</b>	<b>SPA55863</b>	DRIVE BELT TENSIONER 145/6/7,155/6,166,916 2.0	<b>45.51 EUR</b>
<b>4</b>	<b>KRR6PK1842</b>	V-RIBBED BELT 6PK 1842 145/6 1,8 TS WITH A/C , 155 1,6	<b>30.73 EUR</b>
<b>5</b>	<b>KRR7PK1952</b>	Keilrippenriemen 7PK1952 145/6,155, gtv/spider (916) 2.	<b>52.50 EUR</b>
<b>6</b>	<b>UR55849</b>	OE.60812515,REVERSE ROLLER FOR RIPPED V-BELT 145/6/7,15	<b>34.00 EUR</b>
<b>7</b>	<b>UR55848</b>	DRIVE BELT BEARING 156 2.0,145,166,916	<b>55.00 EUR</b>

# Keil-/Keilrippenriemen 155 Turbo Q4

ohne/without  
Klimaanlage/AC:



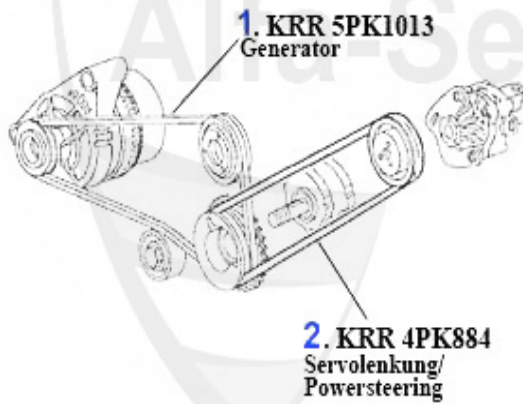
mit/with  
Klimaanlage/AC:



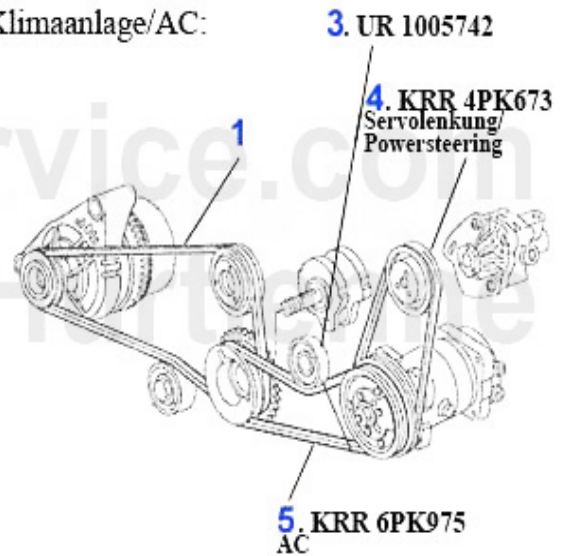
1	KRR5PK1050	Keilrippenriemen 5PK1050 155 2.0 Turbo Wasserpumpe/Gen	22.05 EUR
2	KR13A875	Keilriemen 12.5x875 155 Turbo Servo Pumpe	14.32 EUR
3	KR13A750	Keilriemen 12.5x750 155 Turbo Servo Pumpe (mit Klima)	13.28 EUR
4	KR13A850	V-BELT 12.5X850 75,90, 155 4 CYL. A/C COMPRESSOR	15.34 EUR

# Keilriemen/V-Belt 155 2.5 V6

ohne/without  
Klimaanlage/AC:



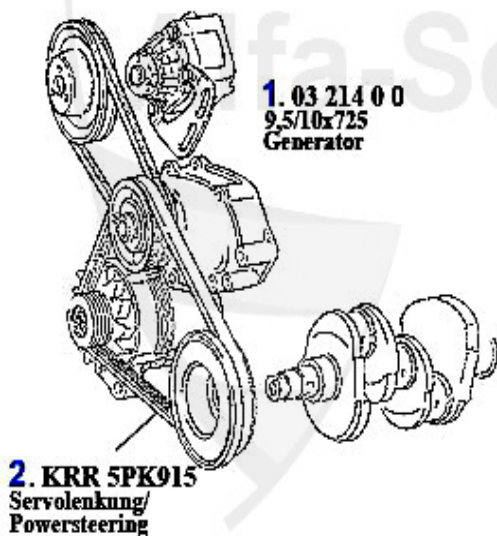
mit/with  
Klimaanlage/AC:



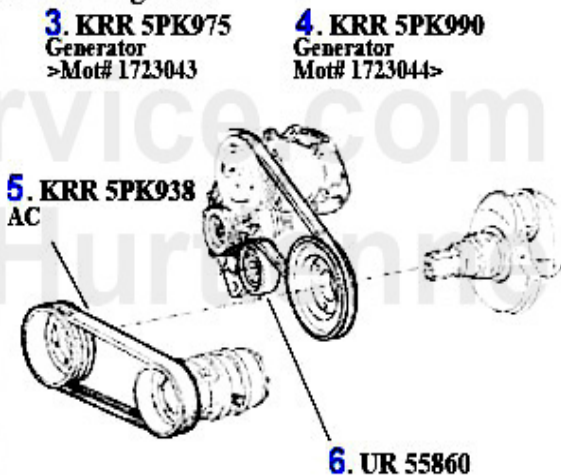
1	KRR5PK1013	OE 60596949 RIBBED DRIVE BELT	19.90 EUR
2	KRR4PK884	Keilrippenriemen 4PK884 155 2.5 V6 Servopumpe	12.21 EUR
3	UR1005742	OE 60570850	175.00 EUR
5	KRR6PK975	OE 60625590 RIBBED TIME BELT	26.50 EUR

# Keilriemen/V-Belt 155 1.9 TD

ohne/without  
Klimaanlage/AC:



mit/with  
Klimaanlage/AC:



<b>1</b>	<b>03 214 0 0</b>	<b>V-BELT 9.5X725</b>	<b>11.00 EUR</b>
<b>2</b>	<b>KRR5PK915</b>	<b>Keilrippenriemen 5PK915 145/6 1.9 T D,155 1.9 TD ab Mot</b>	<b>15.59 EUR</b>
<b>3</b>	<b>KRR5PK975</b>	<b>Keilrippenriemen 5PK975 145/6,155 1.9 TD bis Motor # 1</b>	<b>16.36 EUR</b>
<b>4</b>	<b>KRR5PK990</b>	<b>Keilrippenriemen 5PK990 145/6,155 1.9 TD ab Motor # 17</b>	<b>16.72 EUR</b>
<b>5</b>	<b>KRR5PK938</b>	<b>Keilrippenriemen 5PK938 145/6,155 1.9 TD Klimakompress</b>	<b>15.28 EUR</b>
<b>6</b>	<b>UR55860</b>	<b>IDLER PULLEY V-RIBBED BELT 145/6,155, 164</b>	<b>23.80 EUR</b>

## 155 > ENGINE > V-BELTS > 2.5 TD

<b>1</b>	<b>KRR7PK1730</b>	<b>Keilrippenriemen 7PK1730 155,164 Su per 2.5 TD Bj. 09.9</b>	<b>69.00 EUR</b>
<b>2</b>	<b>UR107648</b>	<b>Umlenkrolle Keilrippenriemen 155/ 164 Super 2.5 TD</b>	<b>102.08 EUR</b>
<b>3</b>	<b>RS56007</b>	<b>Riemenspanner/Schwingungsdämpfer 155/164 Super 2.5 TD</b>	<b>238.00 EUR</b>

155 > ENGINE > FUEL SYSTEM > TS 8V > Fuel Pump



1	KP6195	OE. 46413630/7580215 FUEL PUMP 155, 164/Super TS/V6/16V	219.00 EUR
1	07 039 0 0	RUBBER FOR ELECTRIC FUEL PUMP SPIDER 90, 33ie,75,155,16	10.90 EUR

# Kraftstoffpumpe/Fuel Pump 155 TS 16V

---



1	KP6416	OE. 7782620 FUEL PUMP 145/6, 155, gtv/spider (916) Boxe	95.00 EUR
1	07 039 0 0	RUBBER FOR ELECTRIC FUEL PUMP SPIDER 90, 33ie,75,155,16	10.90 EUR

155 > ENGINE > FUEL SYSTEM > Turbo Q4 16V > FUEL PUMP



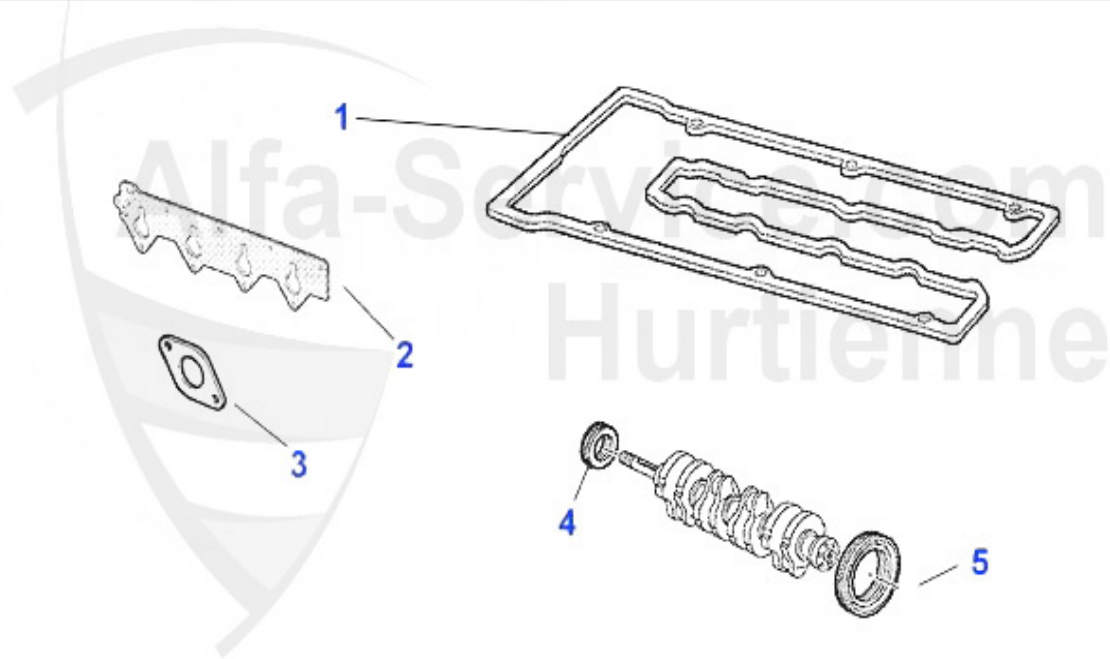
1	KP6195	OE. 46413630/7580215 FUEL PUMP 155, 164/Super TS/V6/16V	219.00 EUR
1	07 039 0 0	RUBBER FOR ELECTRIC FUEL PUMP SPIDER 90, 33ie,75,155,16	10.90 EUR

155 > ENGINE > FUEL SYSTEM > 2.5 V6 > FUEL PUMP



1	KP6195	OE. 46413630/7580215 FUEL PUMP 155, 164/Super TS/V6/16V	219.00 EUR
1	07 039 0 0	RUBBER FOR ELECTRIC FUEL PUMP SPIDER 90, 33ie,75,155,16	10.90 EUR

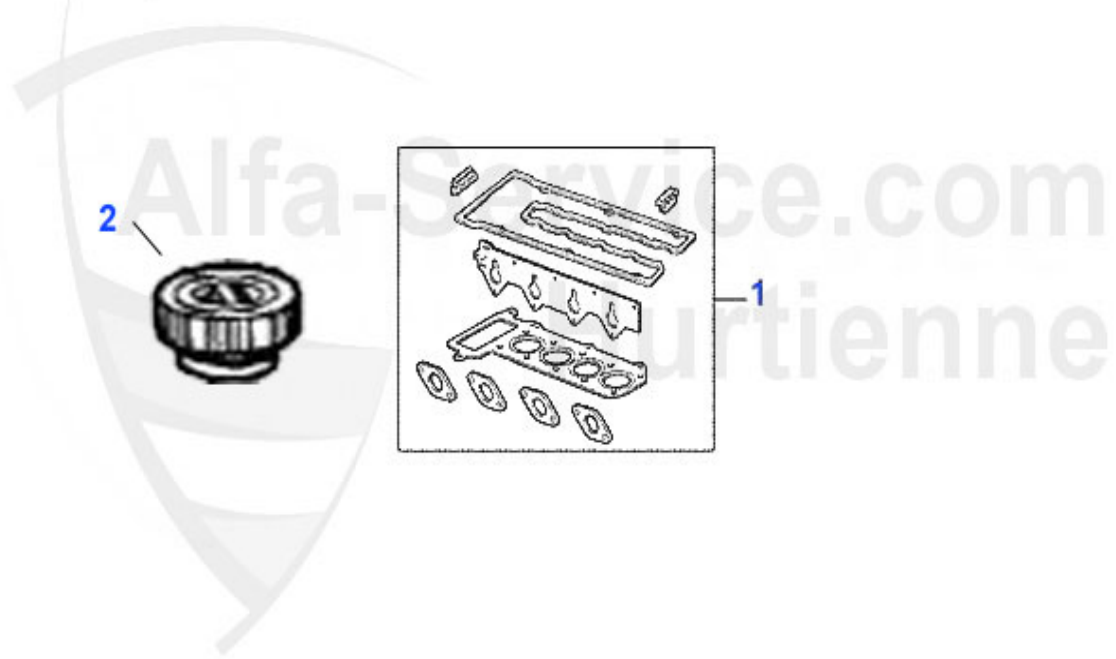
## Dichtungen Motor/Engine Gaskets 155 TS 8V



1	VDD41900	VALVE COVER GASKET 155,164/SUPER 1.7/ 1.8/2.0 TS	39.90 EUR
2	ASKD76100	INTAKE MANIFOLD GASKET 75,164 2.0 TS (87-92)	19.90 EUR
3	AGKD74400	OE. 60507576 GASKET	6.30 EUR
4	WD17600	CRANKSHAFT OIL SEAL FRONT 40/56/10 ARNA,SUD/SPRINT,33 (	18.66 EUR
4	02 022 0 0	OIL SEAL (35/50/10) CRANKSHAFT FRONT	9.50 EUR
5	02 060 3 0	OIL SEAL CORTECO (84/105/12) CRANKSHAFT REAR for Spider	35.50 EUR
5	02 060 3 5	OIL SEAL (84/105/12) CRANKSHAFT REAR Spider 1990-93, 75	44.90 EUR

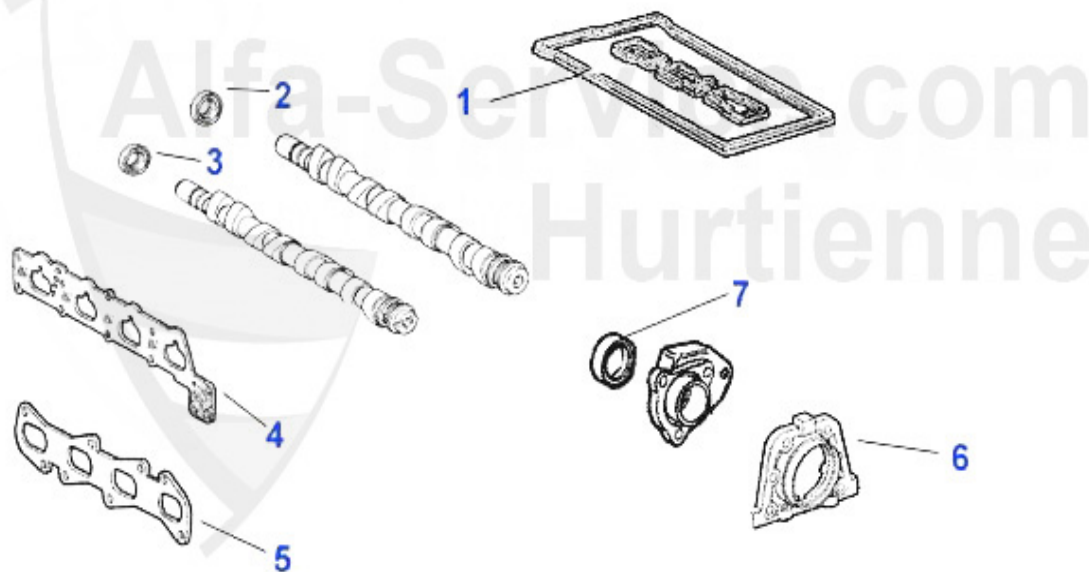
## Kopfdichtsatz/HEAD SET 155 TS 8V

---



<b>1</b>	<b>ZKDS95300</b>	<b>Gasket set cylinder head 155 1.7/1.8/2.0 TS 8V 92-96, 1</b>	<b>164.99 EUR</b>
<b>2</b>	<b>OED003</b>	<b>Öleinfülldeckel z.schrauben TS Motoren 145/147/155/156/</b>	<b>49.50 EUR</b>

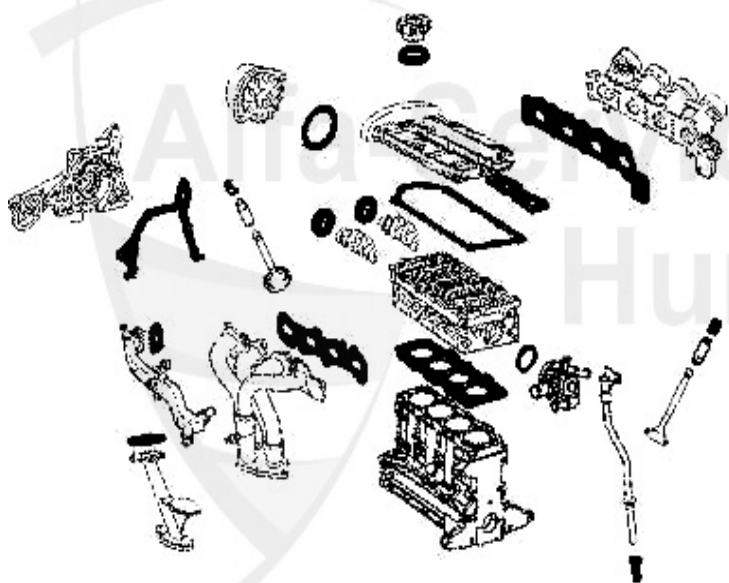
## Dichtungen Motor/Gaskets Engine 155 TS 16V



1	VDD3700	VALVE COVER GASKET (2 PIECES) FOR ALLUMINIUM COVER 145/	33.90 EUR
2	WD55300	CAMSHAFT OIL SEAL 145/6,155,156 1.6,1.7, 1.8,2.0 16V TS	17.90 EUR
3	WD08200	CAMSHAFT 145/6,155,156,GTV/SPIDER (916), 166 VARIOUS 96	15.51 EUR
4	ASKD59747	INTAKE MANIFOLD GASKET 145/6,147,155, 156,166,GTV/SPIDE	25.13 EUR
5	AGKD02761	EXHAUST MANIFOLD GASKET 145/6,147,155, 156,166,GTV/SPID	24.00 EUR
6	WD0800	OIL SEAL CRANKSHAFT REAR (FLYWHEEL) 147 1.6 TS 16V/1.9	47.50 EUR
7	WD43800	Siri Kurbelwelle vorne (Riemensch.) 145/6 1.9 TD Bj. 94	9.75 EUR
8	AGKD272	Abgaskrümmer-Dichtung 145/6 2.0 16V TS bj. 95-01,155 2.	24.49 EUR

## Kopfdichtsatz/Head Set 155 TS 16V

---



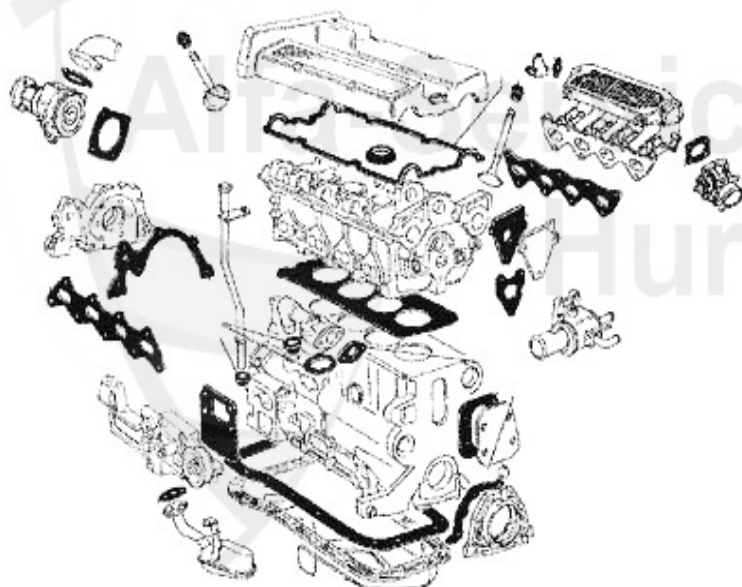
**1. ZKDS 40700**  
1.6/1.8 TS 16V

**2. ZKDS 40800**  
2.0 TS 16V

<b>1</b>	<b>ZKDS40700</b>	Kopfdichtsatz 145/6,155,156,166 1.6-2.0 ie 16V TS Bj. >9	<b>108.74 EUR</b>
<b>2</b>	<b>ZKDS40800</b>	Kopfdichtsatz 145/6,155,gtv/spider (916) 2.0 TS 110 KW	<b>164.99 EUR</b>

## Motordichtsatz/Full Set 155 TS 16V

---



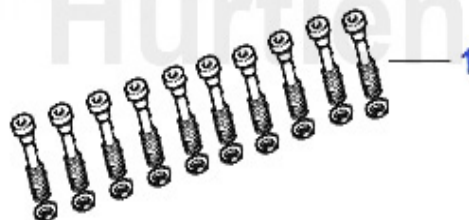
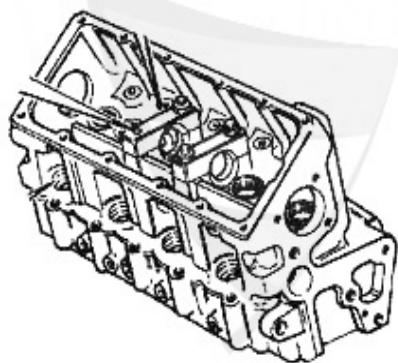
1. MDS 54200  
1.6/1.8 TS 16V

2. MDS 54300  
2.0 TS 16V

1	MDS54200	ENGINE GASKET SET 145/6,55,156,166 1.6- 1.8 TS 16V >98	155.00 EUR
2	MDS54300	Motordichtsatz 145/6,155,gtv/spider (916) 2.0 TS Bj. 95	179.00 EUR

## Kopfschraubensatz/Head Srew Set 155 TS 16V

---

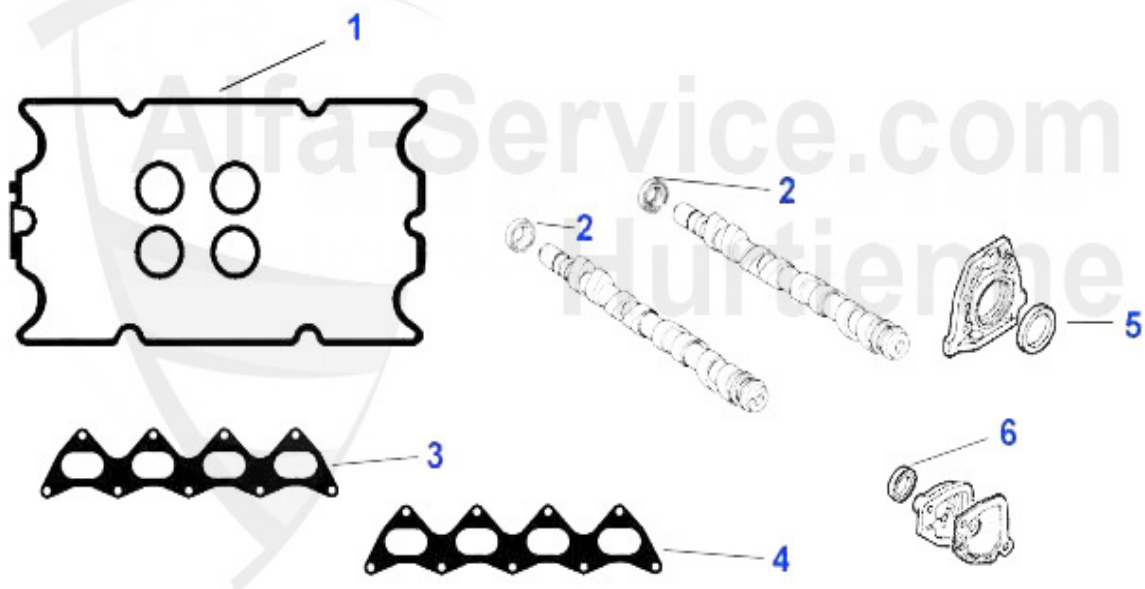


---

1 ZKSS152080 HEAD SCREW SET 145/6,147,155,156,166, GTV/SPIDER(916),N

69.00 EUR

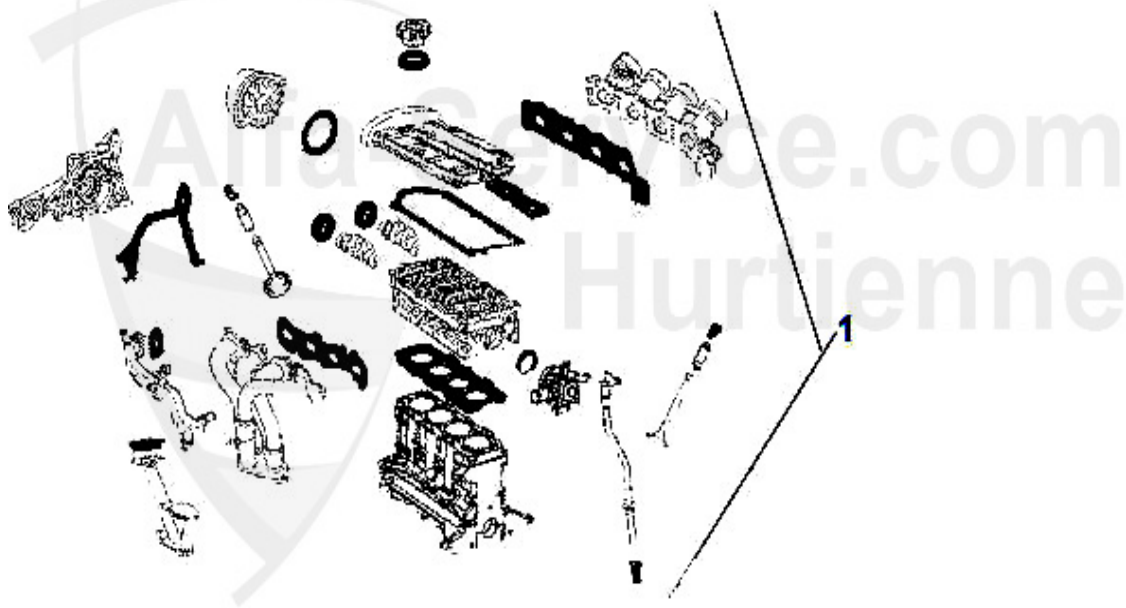
## Dichtungen Motor/Gaskets Engine 155 Q4



1	VDD6200	CAM COVER GASKET 155 2.0 TURBO 16V 92-97	35.00 EUR
2	WD08200	CAMSHAFT 145/6,155,156,GTV/SPIDER (916), 166 VARIOUS 96	15.51 EUR
3	ASGK74700	Ansaugkrümmerdichtung 155 2.0 16V T urbo	17.96 EUR
4	AGKD74800	Abgaskrümmerdichtung 155 2.0 16V Tu rbo	18.90 EUR
5	WD33900	siri kurbelwelle hinten(schwungsch) 145/6,155,156,166,g	16.24 EUR
6	WD43800	Siri Kurbelwelle vorne (Riemensch.) 145/6 1.9 TD Bj. 94	9.75 EUR

# Kopfdichtsatz/Head Set 155 Q4

---



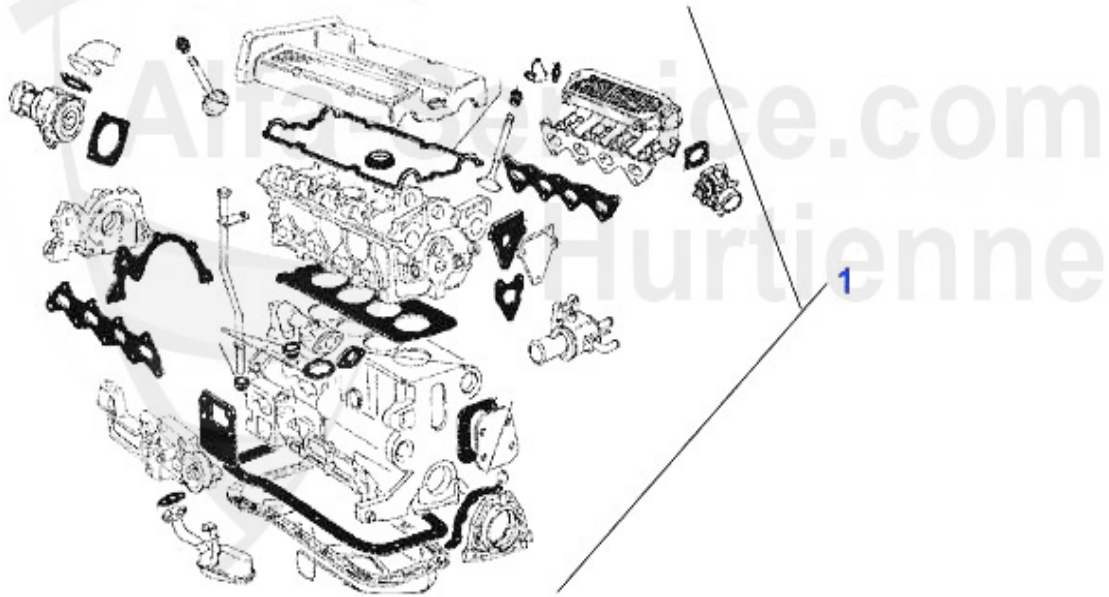
---

**1** ZKDS95500 CYLINDER HEAD SET 155 2.0 16V TURBO 92-97

**132.34 EUR**

## Motordichtsatz/Full Set 155 Q4

---



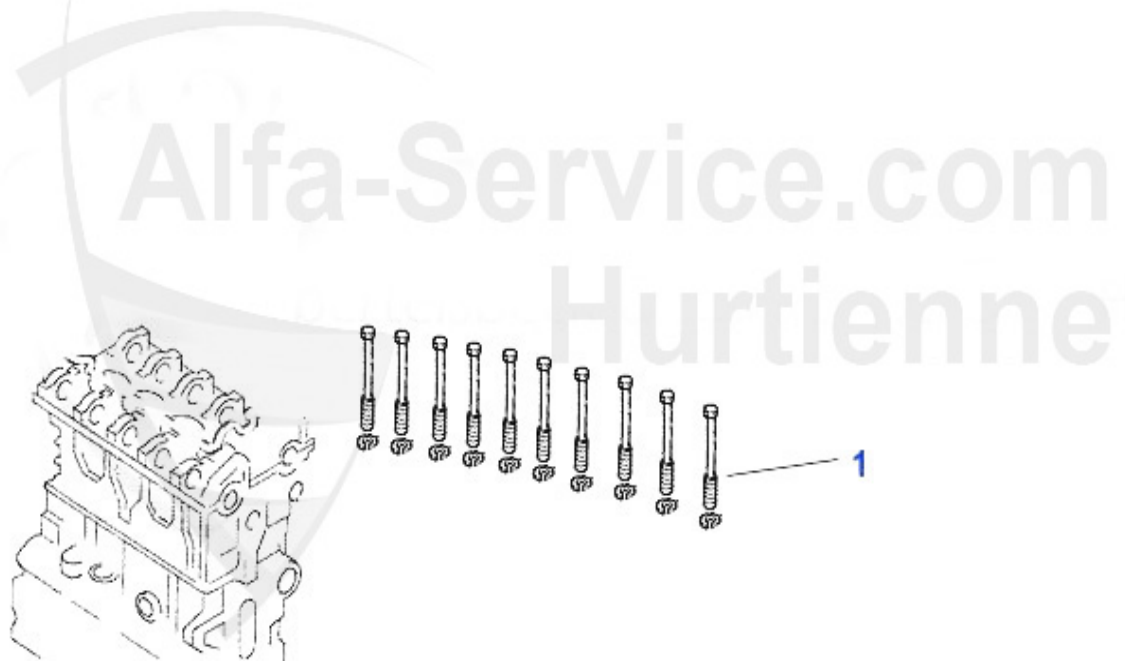
1 MDS8300

MOTOR GASKET SET 155 16V TURBO

205.00 EUR

## Kopfschraubensatz/Head Screw Set 155 Q4

---

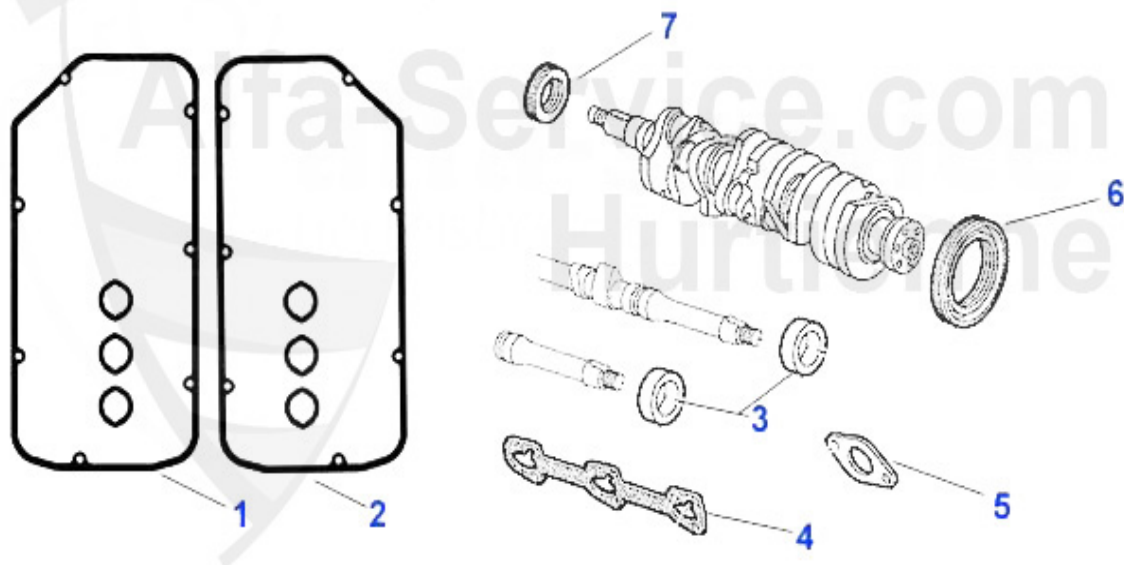


1 ZKSS7500

HEADED SCREW SET 155 2.0 16V TURBO

48.22 EUR

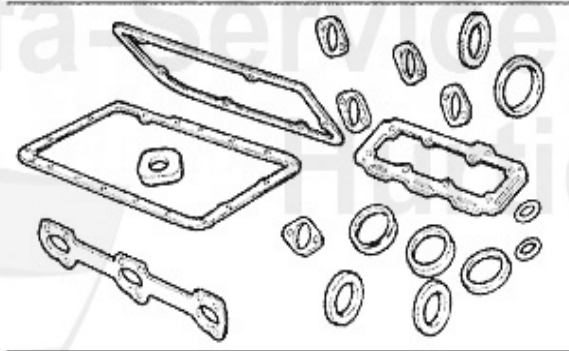
## Dichtungen Motor/Gaskets Engine 155 2.5 V6



1	VDD24700	CAM COVER GASKET LEFT 6,75,90	39.90 EUR
2	VDD24600	CAM COVER GASKET RIGHT 6,75,90 INCL. RUBBER PLUG FOR SP	39.90 EUR
3	WD45700	OIL SEAL 155 2.5 V6, 166 2.0 V6 TURBO 09.98>	28.00 EUR
4	ASKD76200	Ansaugkrümmerdichtung 155,164/Super ,166,gtv/spider V6	9.13 EUR
5	AGKD06636	OE. 60506636 GASKET	5.89 EUR
6	02 060 3 0	OIL SEAL CORTECO (84/105/12) CRANKSHAFT REAR for Spider	35.50 EUR
6	02 060 3 5	OIL SEAL (84/105/12) CRANKSHAFT REAR Spider 1990-93, 75	44.90 EUR
7	WD23600	OE. 60567607 Sealing Gasket	21.00 EUR

# Kopfdichtsatz/Head Set 155 2.5 V6

---



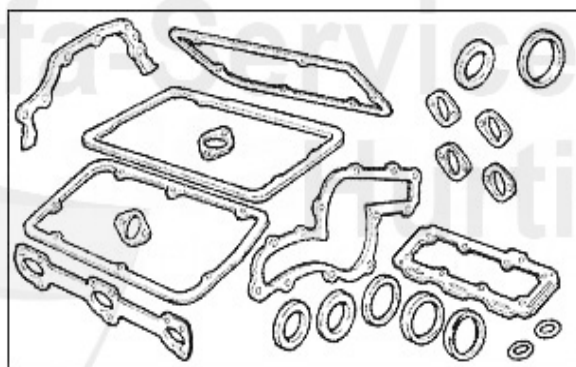
1 ZKDS95600

OE.60777617 HEADGASKET SET 155 V6 92-96

240.00 EUR

## Motordichtsatz/Full Set 155 2.5 V6

---

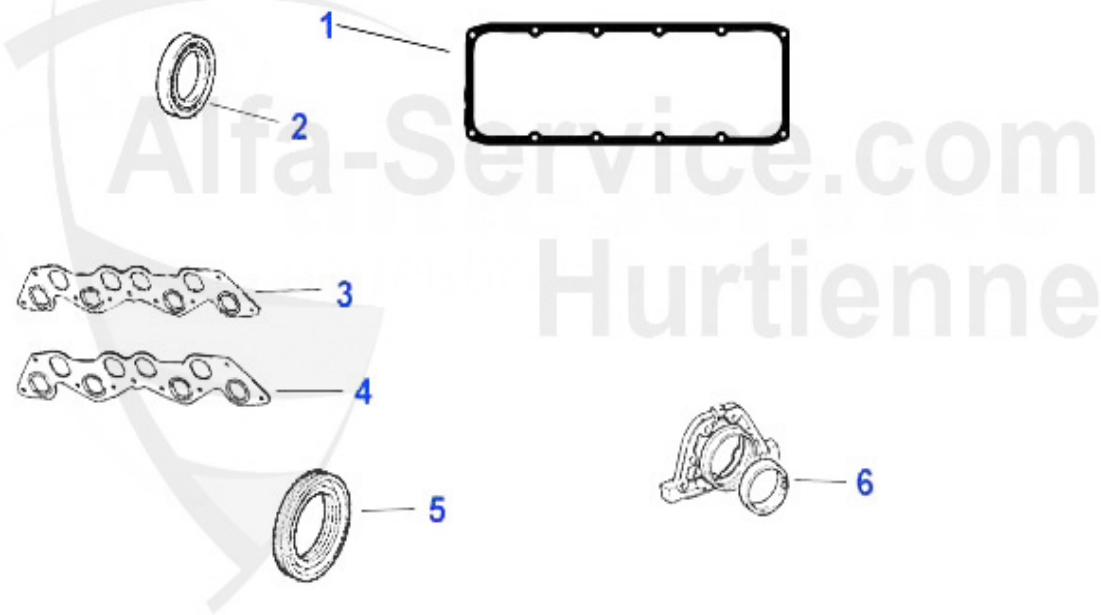


1 MDS8400

ENGINE GASKET SET 155 2.5 V6

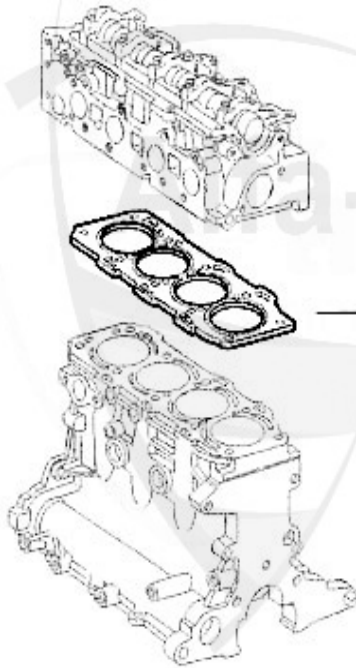
325.00 EUR

Dichtungen Motor/ Engine Gaskets 155 1.9 TD



1	VDD19800	Ventildeckeldichtung 145/6,155 1.9 TD, Bj. 93-99	8.90 EUR
2	WD09700	Siri Nockenwelle 145/6,155 1.9 TD Bj. 93-99 164 2.0 Tur	6.37 EUR
3	AGSKD37936	Ansaug/Abgaskr	24.62 EUR
5	WD43800	Siri Kurbelwelle vorne (Riemensch.) 145/6 1.9 TD Bj. 94	9.75 EUR
6	WD33900	siri kurbelwelle hinten(schwungsch) 145/6,155,156,166,g	16.24 EUR

## Kopfdichtung/Head Gasket 155 1.9 TD



### Achtung/Attention:

Beim Bestellen der Kopfdichtung bitte auf die entsprechende Markierung achten!  
Before you order the headgasket, please note the marking!

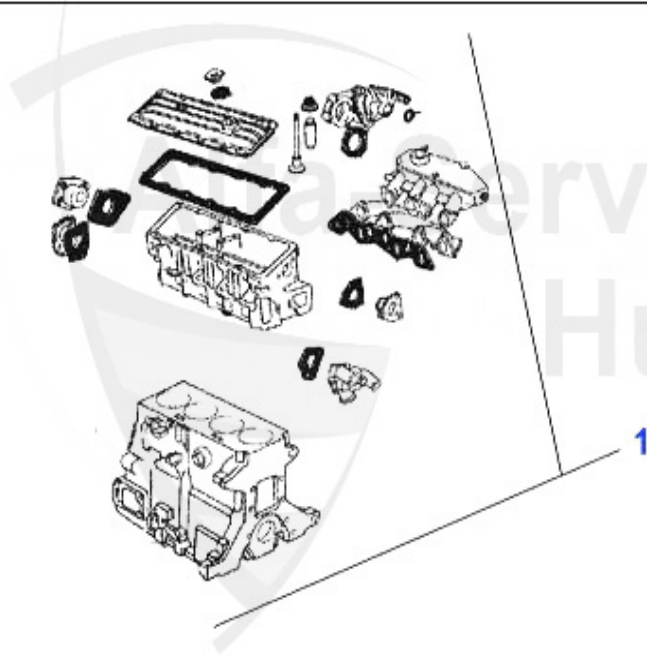
**1.** ZKD 34200  
1.65 mm

**2.** ZKD 34210  
1.80 mm

**3.** ZKD 34220  
1.95 mm

<b>1</b>	<b>ZKD34200</b>	Kopfdichtung 145/6,155 1.9 TD Bj. 93-99 Dicke: 1.65 mm	<b>31.70 EUR</b>
<b>1</b>	<b>ZKD34210</b>	Kopfdichtung 145/6,155 1.9 TD Bj. 93-99 Dicke: 1.80 mm	<b>34.37 EUR</b>
<b>1</b>	<b>ZKD34220</b>	Kopfdichtung 145/6,155 1.9 TD Bj. 93-99 Dicke: 1.95 mm	<b>34.37 EUR</b>

## Kopfdichtsatz/Head Set 155 1.9 TD



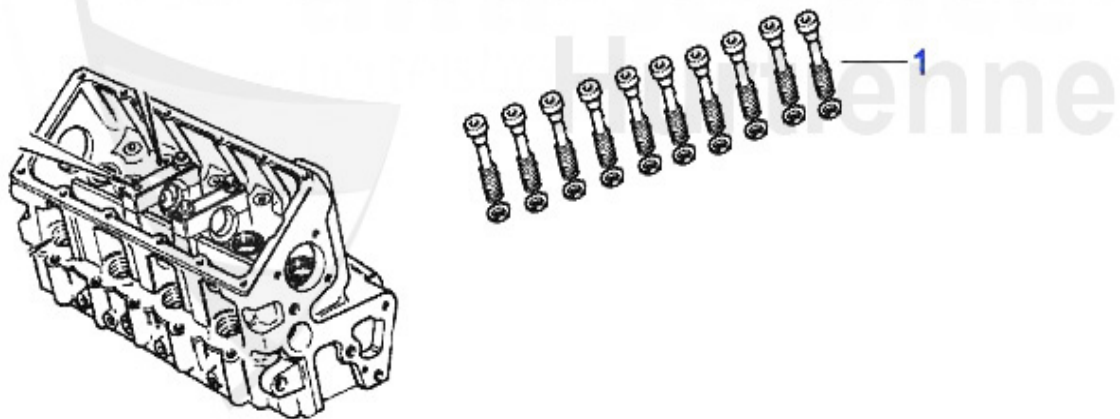
**Achtung/Attention:**  
Ohne Kopfdichtung, Kopfdichtung  
bitte separat bestellen!  
Without Headgasket, please order it  
separate!

1 ZKDS2400

HEAD GASKET SET 145/6,155 1.9 TD 93-99 WITHOUT HEAD GAS

34.78 EUR

## Kopfschraubensatz/Head Screw Set 155 1.9 TD

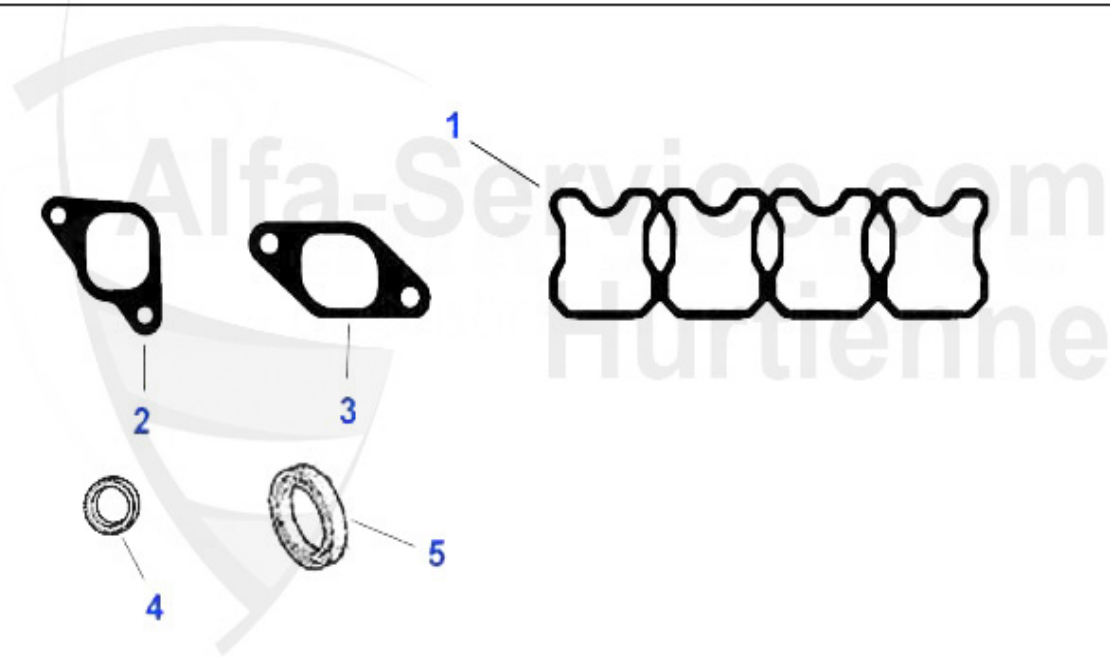


1 ZKSS7700

HEAD SCREW SET 145/6,155 1.9 TD 94-99

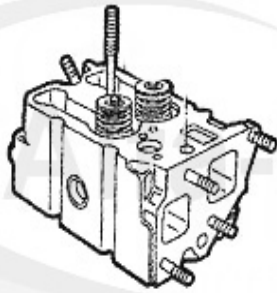
40.94 EUR

## Dichtungen Motor/Gaskets Engine 155 2.5 TD



<b>1</b>	<b>VDD79100</b>	<b>Ventildeckeldichtung 75 2.0 TD,90 2.4 TD, 155,164/Super</b>	<b>23.09 EUR</b>
<b>2</b>	<b>ASKD83742</b>	<b>Ansaugkr</b>	<b>2.42 EUR</b>
<b>3</b>	<b>AGKD32812</b>	<b>Abgaskr</b>	<b>3.59 EUR</b>
<b>4</b>	<b>WD26200</b>	<b>Siri Kurbelwelle vorne (Riemensch.) 33 1.8 TD, 155 2.5</b>	<b>7.15 EUR</b>
<b>5</b>	<b>WD41700</b>	<b>OE.71712728 OIL SEAL CRANKSHAFT REAR</b>	<b>18.30 EUR</b>

# Kopfdichtung/Headgasket 155 2.5 TD



## Achtung/Attention:

Beim Bestellen der Kopfdichtung bitte auf die entsprechende Markierung achten!  
Before you order the headgasket, please note the marking!

1. ZKD 11500  
1,42mm

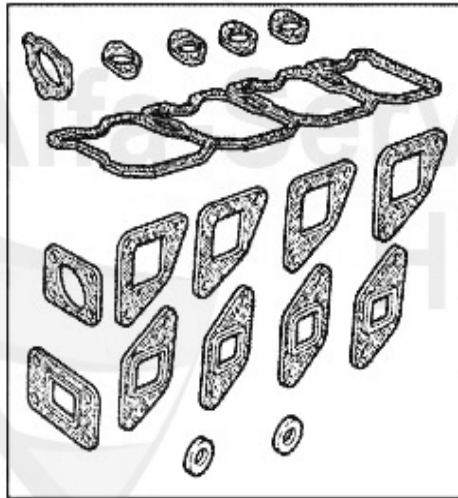
2. ZKD 11510  
1,52 mm

3. ZKD 11520  
1,62 mm

1	ZKD11500	ZKD Alfetta,6,33,75,90,155,164 1.8 - 2.5 TD Dicke:1.42m	28.00 EUR
2	ZKD11510	ZKD Alfetta,6,33,75,90,155,164 1.8 - 2.5 TD Dicke: 1.52	28.00 EUR
3	ZKD11520	Kopfdichtung Alfetta,6,33,75,155,164 1.8 - 2.5 TD dicke	30.38 EUR

## Kopfdichtsatz/Head Set 155 2.5 TD

---



**Achtung/Attention:**  
Ohne Kopfdichtung, Kopfdichtung  
bitte separat bestellen!  
Without Headgasket, please order it  
separate!

---

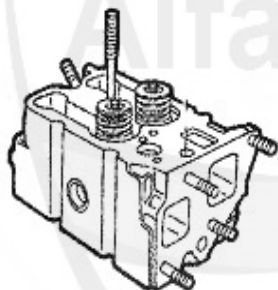
1 ZKDS6100

HEAD GASKET SET 155,164 2.5 TD 87-97 WITHOUT HEAD GASKE

59.90 EUR

Kopfschraubensatz/Head Screw Set 155 2.5 TD

---



1

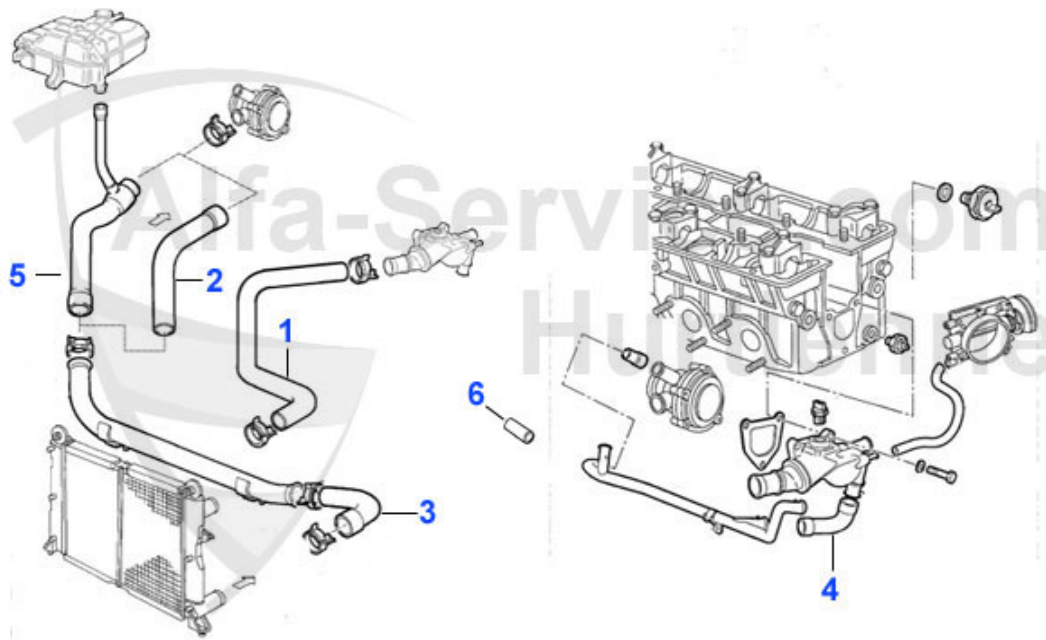
---

1 ZKSS9200

HEAD SCREW SET 155,164 2.5 TD 87-97

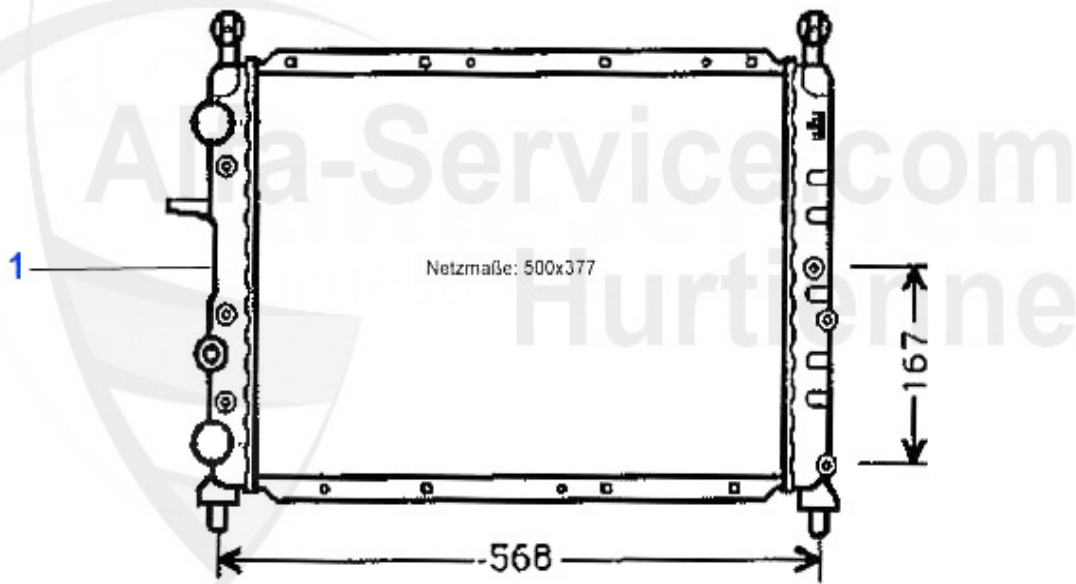
79.00 EUR

## 155 > ENGINE > COOLING SYSTEM > TS 8V > HOUSES



<b>1</b>	<b>KWS56562</b>	<b>UPPER WATER HOSE 155 1.7/1.8/2.0 TS</b>	<b>25.89 EUR</b>
<b>2</b>	<b>KWS56561</b>	<b>WATER HOSE WATER PUMP/DISTRIBUTOR HOSE 155 1.7/1.8/2.0</b>	<b>Preis auf Anfrage</b>
<b>3</b>	<b>KWS56563</b>	<b>LOWER WATER HOSE 155 1.7/1.8/2.0 TS</b>	<b>Preis auf Anfrage</b>
<b>4</b>	<b>KWS56558</b>	<b>WATER HOSE THERMOSTAT HOUSING/ DISTRIBUTOR HOSE 155 1.7</b>	<b>Preis auf Anfrage</b>
<b>5</b>	<b>KWS79209</b>	<b>Kühlwasserschlauch Ausgleichsbehälter/Verteilerrohr 15</b>	<b>45.01 EUR</b>

# Kühler/Radiator 155 TS 8V



1 MK21072

radiator 155 1.7/1.8/2.0 TS 93-97

204.14 EUR

# Wasserpumpe/Waterpump 155 TS 8V

---



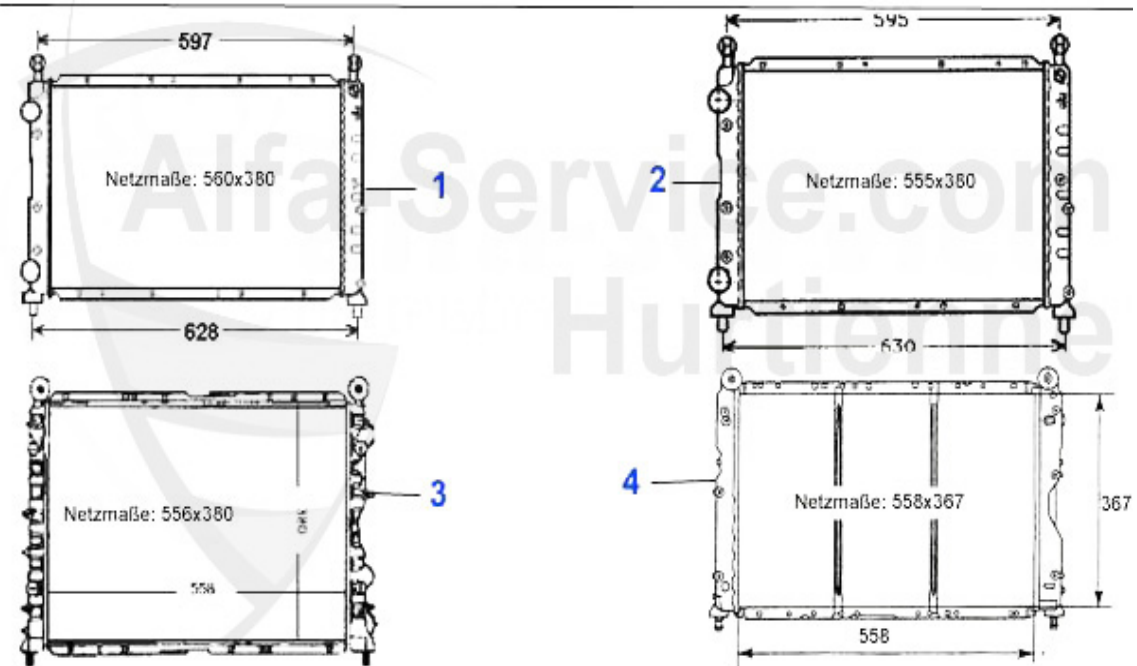
---

1 WP01210

WATER PUMP 155 1.7/1.8/2.0 ie TS 164 SUPER 2.0 TS

71.00 EUR

# Kühler/Radiator 155 TS 16V



1	MK22820	Motorkühler 145/6 1.4/1.6/1.7ie 16V TS Bj. 96-01,155 1.	224.66 EUR
2	MK22992	Motorkühler 145/6,155 1.6/1.7/1.8/ 2.0 TS 16V	213.38 EUR
3	MK22999	RADIATOR 145/6 2.0 16V TS/QV 6.96>	193.89 EUR
4	MK35342	RADIATOR 145/6 2.0 TS 16V >6.96,155 2.0 TS 16V 95-96	205.07 EUR

## Thermostat 155 TS 16V

1. TH 656883  
1.6 TS 16V



2. TH 649083  
1.8/2.0 TS 16V



1	TH656883	Thermostat 145/6,155,1.4/1.6 ie TS Bj. 97>,Gehäusetherm	67.50 EUR
2	TH649083	OE. 60602148 THERMOSTAT 145/6,155,916 TS 16V	98.00 EUR

# Wasserpumpe/Waterpump 155 TS 16V

---

1. WP 00310  
1.6 TS 16V

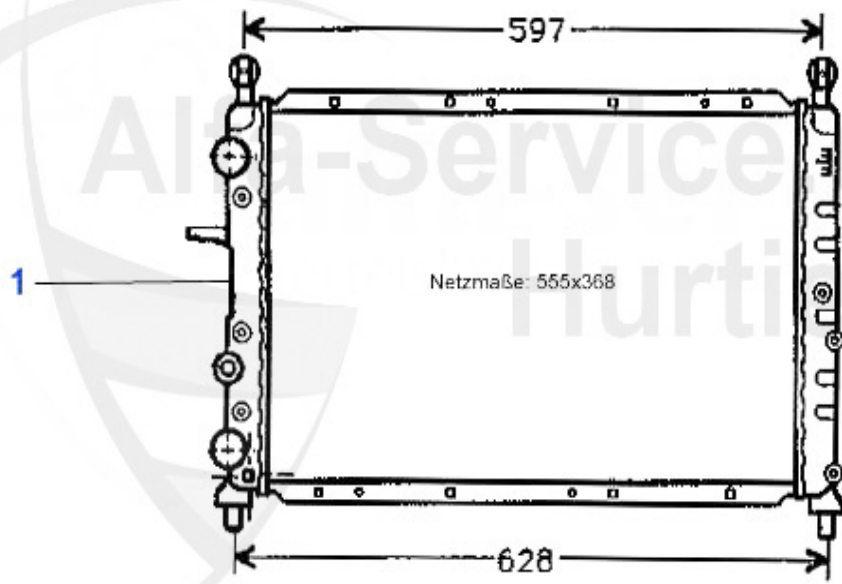


2. WP 00410  
1.8/2.0 TS 16V



1	WP00310	OE. 60586222 WATER PUMP TS 16V	72.49 EUR
2	WP00410	WATER PUMP 145/6 1.6 IE 16V TS,155/6 1.6/1.8 IE 16V TS,	65.00 EUR

# Kühler/Radiator 155 Turbo Q4

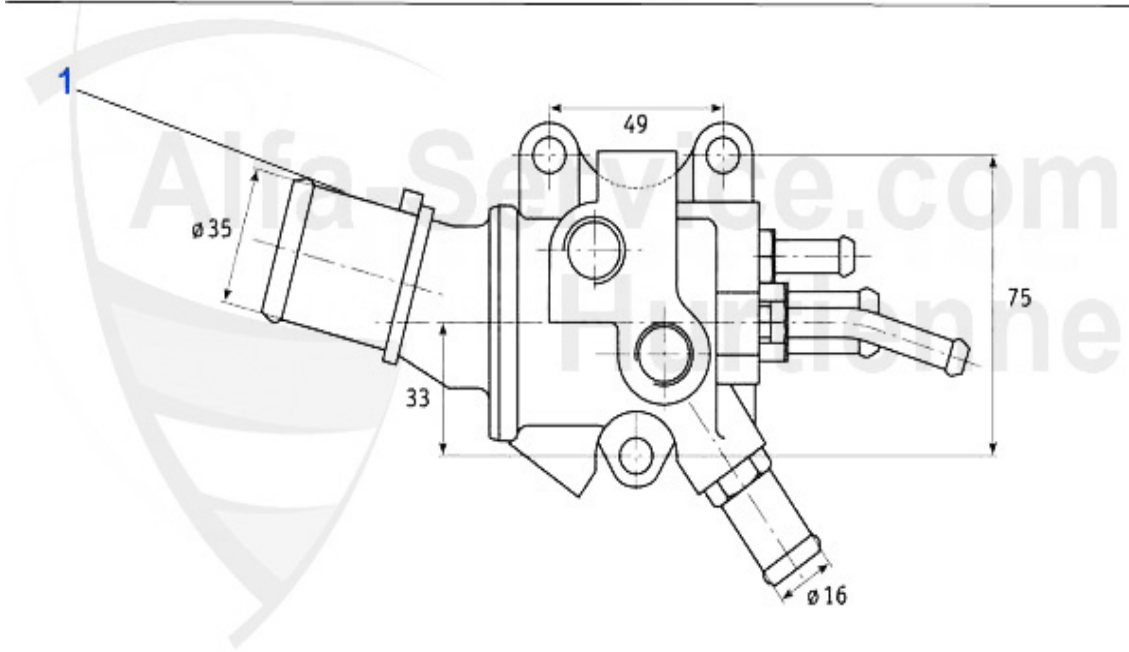


1 MK22518

RADIATOR 155 2.0 16V TURBO

249.28 EUR

# Thermostat 155 Turbo Q4



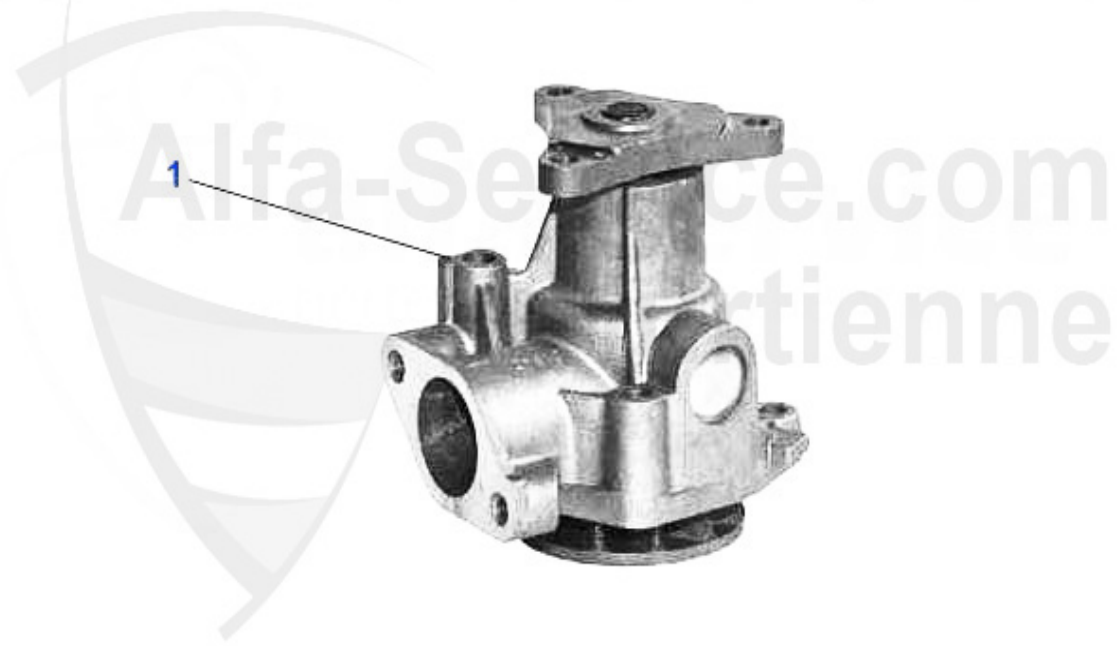
1 TH23789

OE. 7723789 THERMOSTAT 155 Turbo Q4

91.30 EUR

## Wasserpumpe/Waterpump 155 Turbo Q4

---



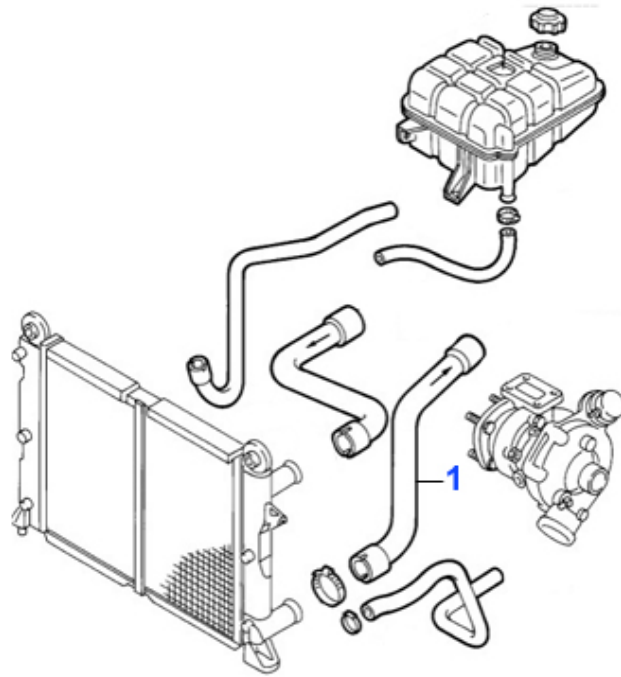
---

1 WP10426

OE. 71719680 WATER PUMP 155 Turbo Q4

Preis auf Anfrage

155 > ENGINE > COOLING SYSTEM > 2.0 Turbo 4x4 > HOUSES

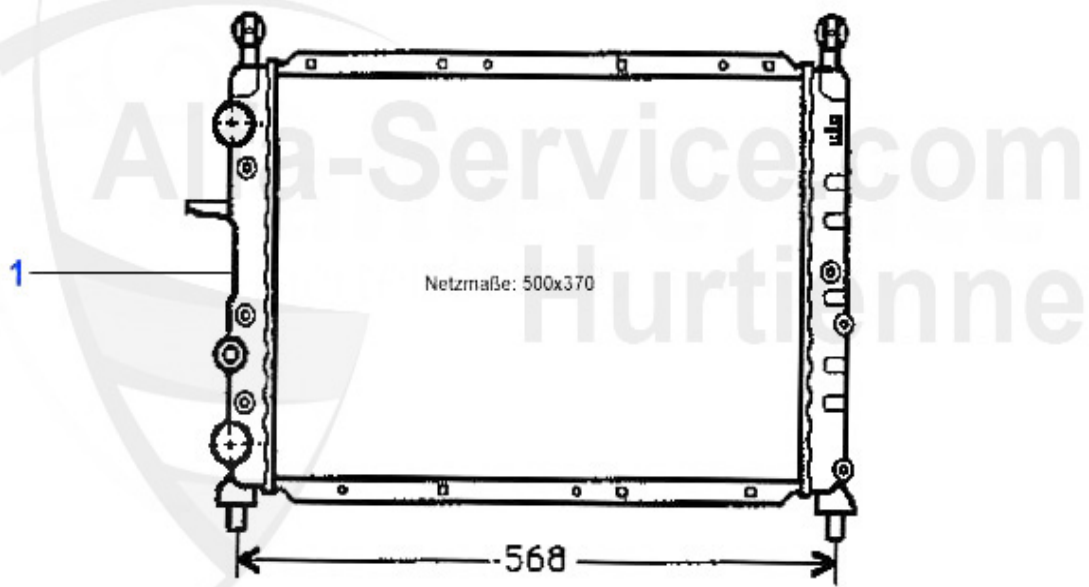


1 KWS73245

Kühlwasserschlauch 155 Kühler unten 2,0 Turbo 4X4

32.00 EUR

## Kühler/Radiator 155 2.5 V6

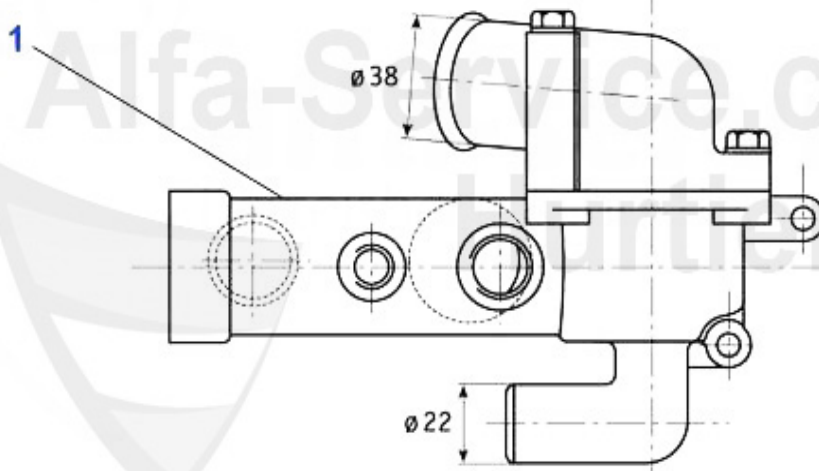


1 MK22516

Radiator 155, 2.5 V6

207.74 EUR

# Thermostat 155 2.5 V6



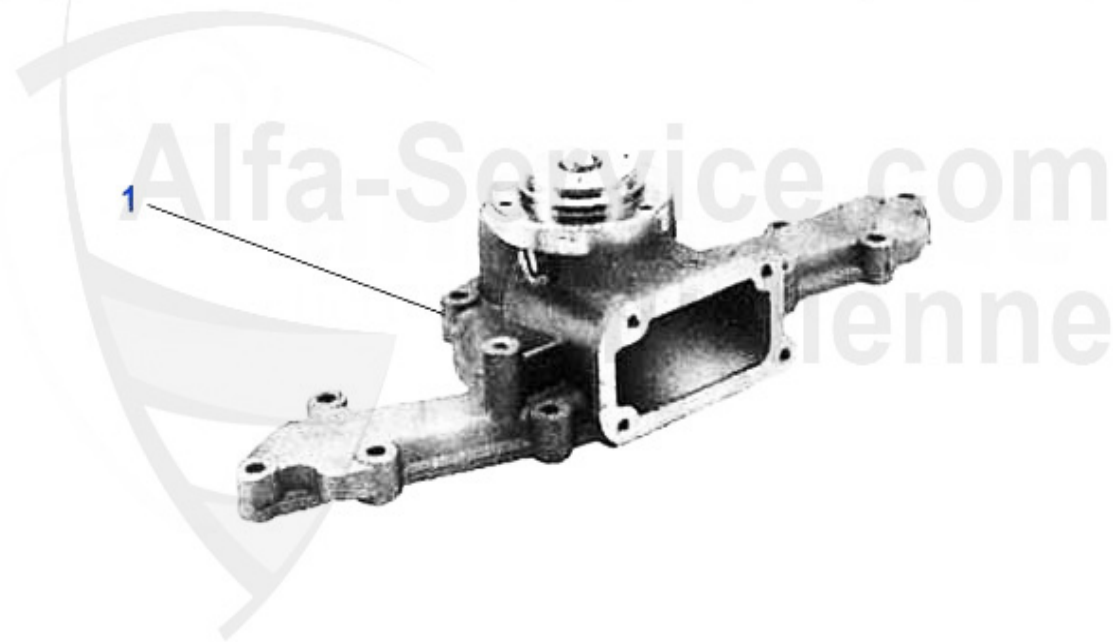
1 TH657187

THERMOSTAT 155,156,166,GTV,SPIDER (916) 6 CYL. (WITH HO

59.00 EUR

# Wasserpumpe/Waterpump 155 2.5 V6

---



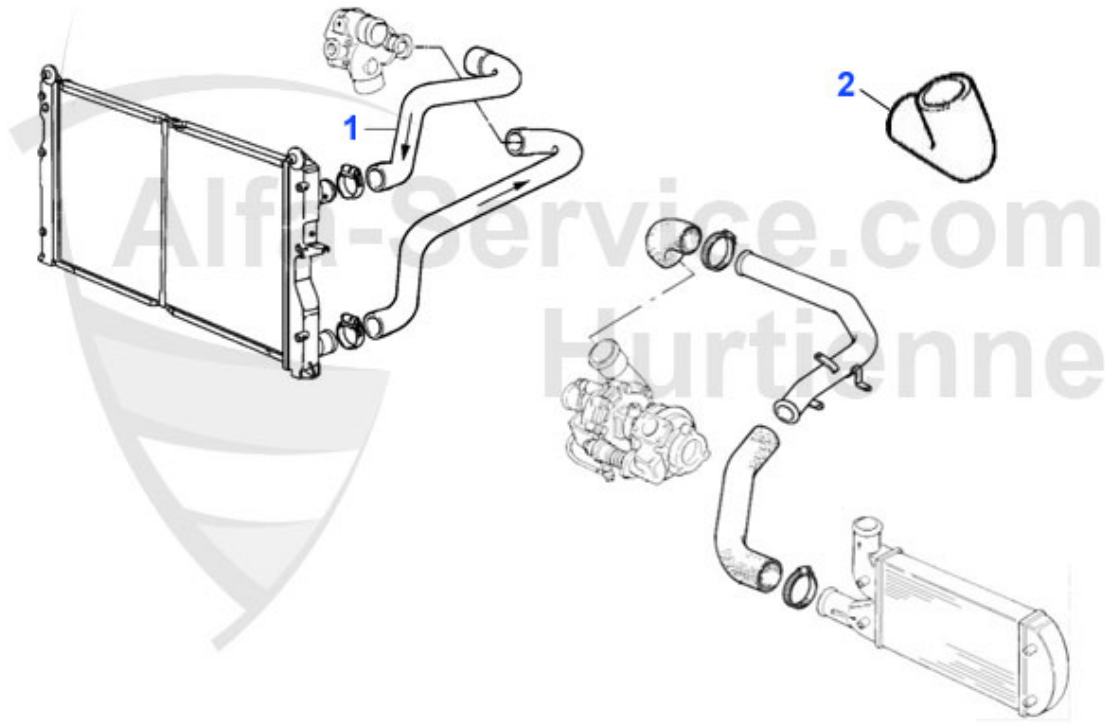
---

1 WP01110

OE. 60668488 WATER PUMP 155 2.5 V6,164/ 916 3.0 V6

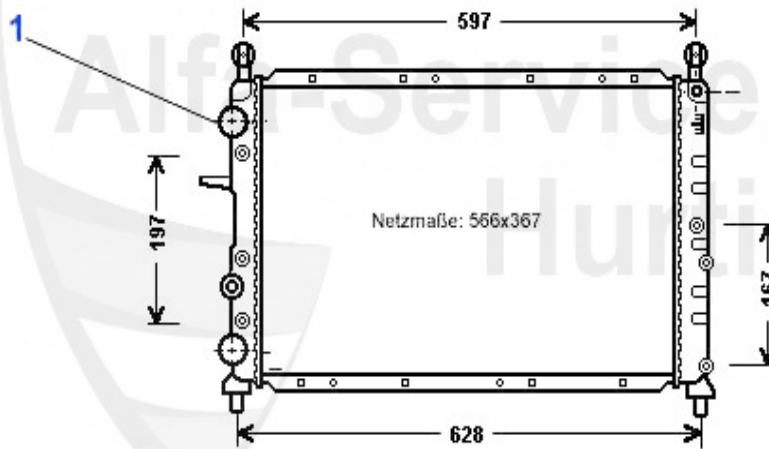
109.50 EUR

155 > ENGINE > COOLING SYSTEM > 1.9 TD > HOUSES



<b>1</b>	<b>KWS09309</b>	<b>Kühlwasserschlauch oben 155 1.9 TD Bj. &gt;96</b>	<b>14.88 EUR</b>
<b>2</b>	<b>KWS83627</b>	<b>Kühlwasserschlauch Wasserpumpe 145/ 6,155 1.9 TD</b>	<b>7.18 EUR</b>

# Kühler/Radiator 155 1.9 TD



1 MK21949

Motorkühler 145/6 2.0 16V Bj. >5.96 1.9 TD Bj. 12.94-02

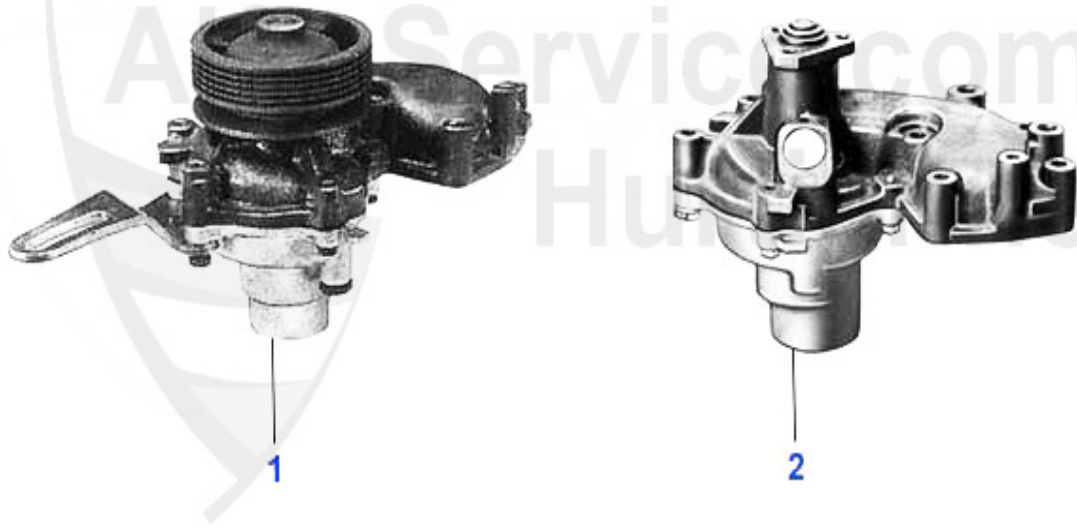
189.78 EUR

## Thermostat 155 1.9 TD



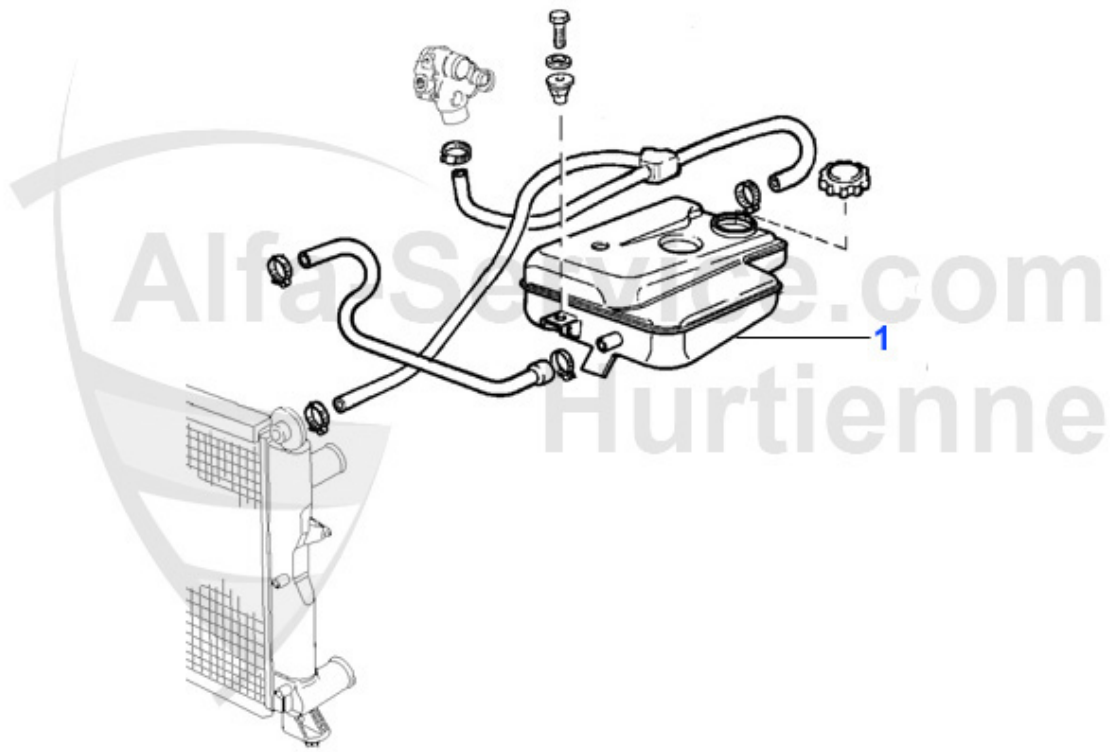
1	TH568880	Thermostat 1.9 TD 145/6,155 (ohne Klima) Gehäusetherm	39.50 EUR
2	TH625480	Thermostat 1.9 TD Mot # 1761923 > 1 45/6,155 (ohne Klim	29.50 EUR
3	TH657488	Thermostat 145/6,155 1.9 TD mit Kli ma,Gehäuserthermosta	33.00 EUR
4	TH625580	Thermostat 1.9 TD Mot. # 1761923 > 145/6,155 (mit Klima	45.51 EUR
5	TH597580	Thermostat 1.9 TD 145/6 Bj. 96,155 Bj. 96> (ohne Klima)	66.28 EUR
6	TH653780	Thermostat 145/6,155, 1.9 TD,Gehäuserthermostat (mit KI	72.99 EUR

# Wasserpumpe/Waterpump 155 1.9 TD



<b>1</b>	<b>WP26310</b>	<b>Wasserpumpe 145/6,155 1.9 TD mit Ge häuse &gt; #1723043</b>	<b>146.70 EUR</b>
<b>2</b>	<b>WP35858</b>	<b>Wasserpumpe 145/6,155 1.9 TD #17230 44&gt;</b>	<b>123.11 EUR</b>

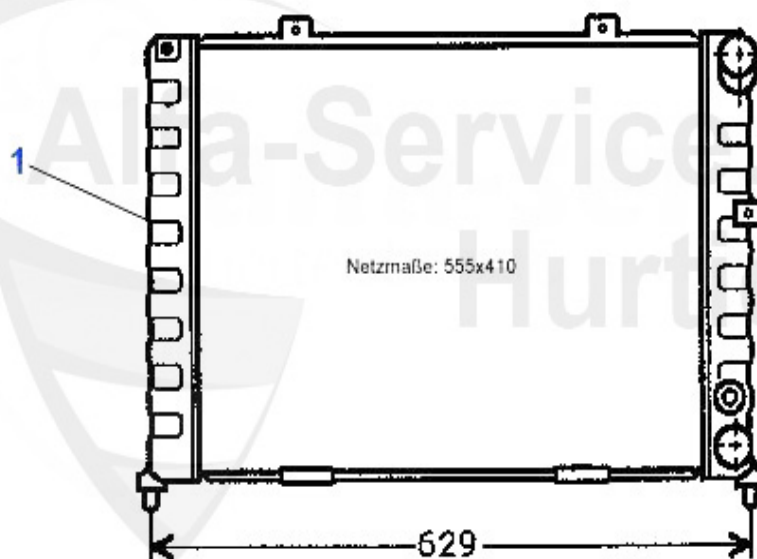
155 > ENGINE > COOLING SYSTEM > 1.9 TD > OVERFLOW CONTAINER



1 KWB00155 OWERFLOW CONTAINER 155 1.9 TD (93-97)

59.90 EUR

## Kühler/Radiator 155 2.5 TD



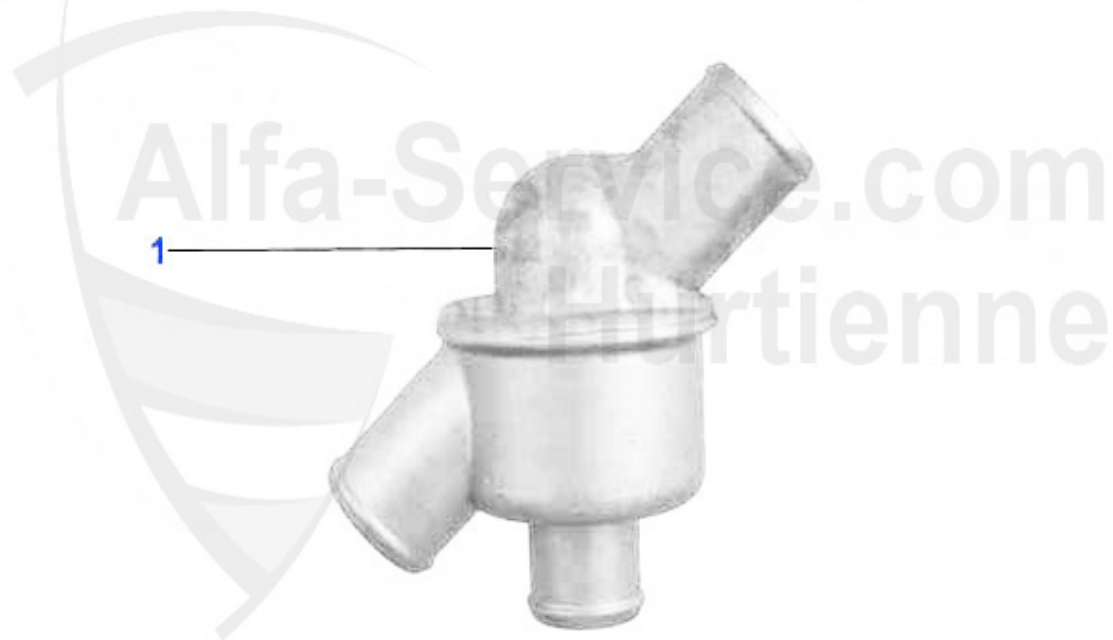
1 MK22376

Motorkühler 155 2.5 TD

246.21 EUR

## Thermostat 155 2.5 TD

---



---

1 TH657080

Thermostat 155 2.5 TD,Gehäusethermo stat

66.00 EUR

# Wasserpumpe/Waterpump 155 2.5 TD

1. WP 00130  
>1995

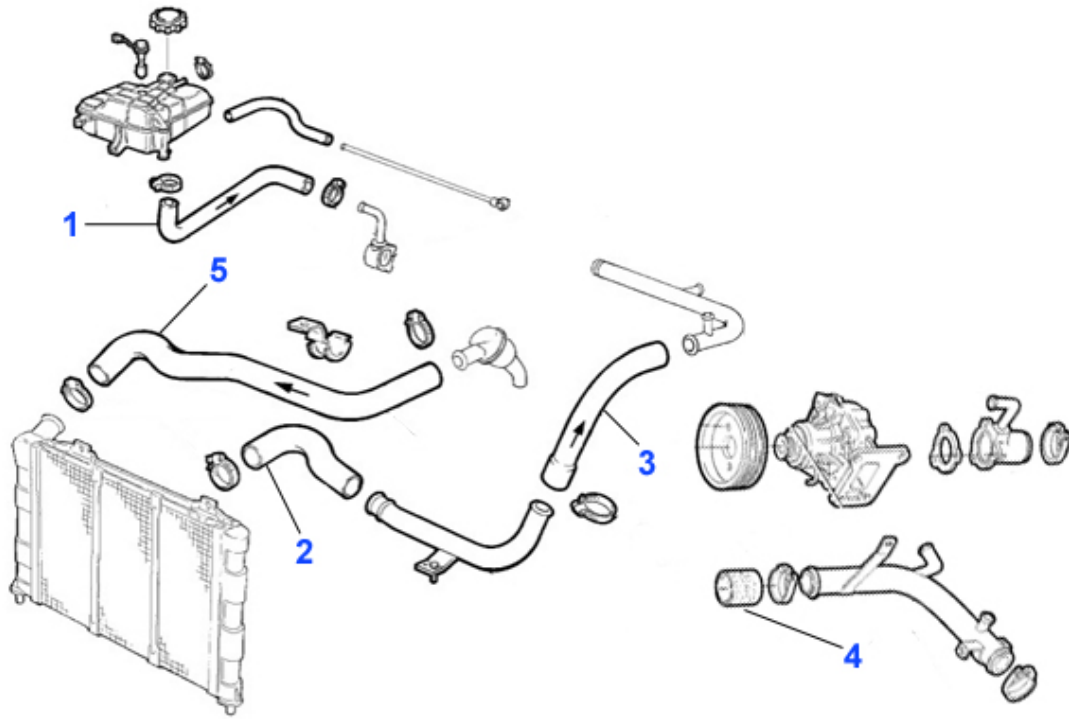


2. WP 01330  
1995>



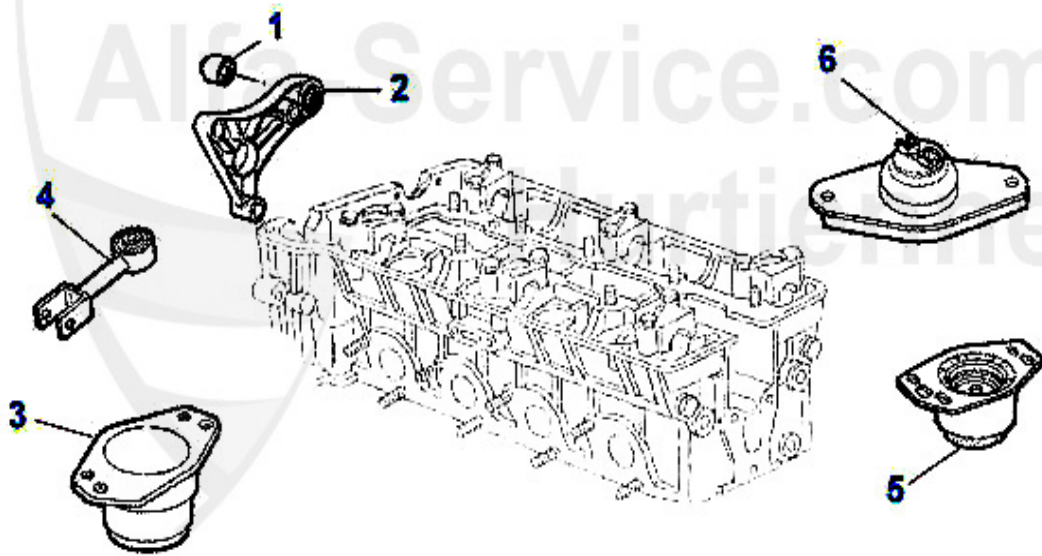
1	WP00130	WATER PUMP 33 (905/7) 1.8 TD,155,164 2.5 TD WITHOUT CAP	59.50 EUR
2	WP01330	Wasserpumpe 155,164/Super 2.5 TD	60.52 EUR

## 155 > ENGINE > COOLING SYSTEM > 2.5 TD > HOUSES



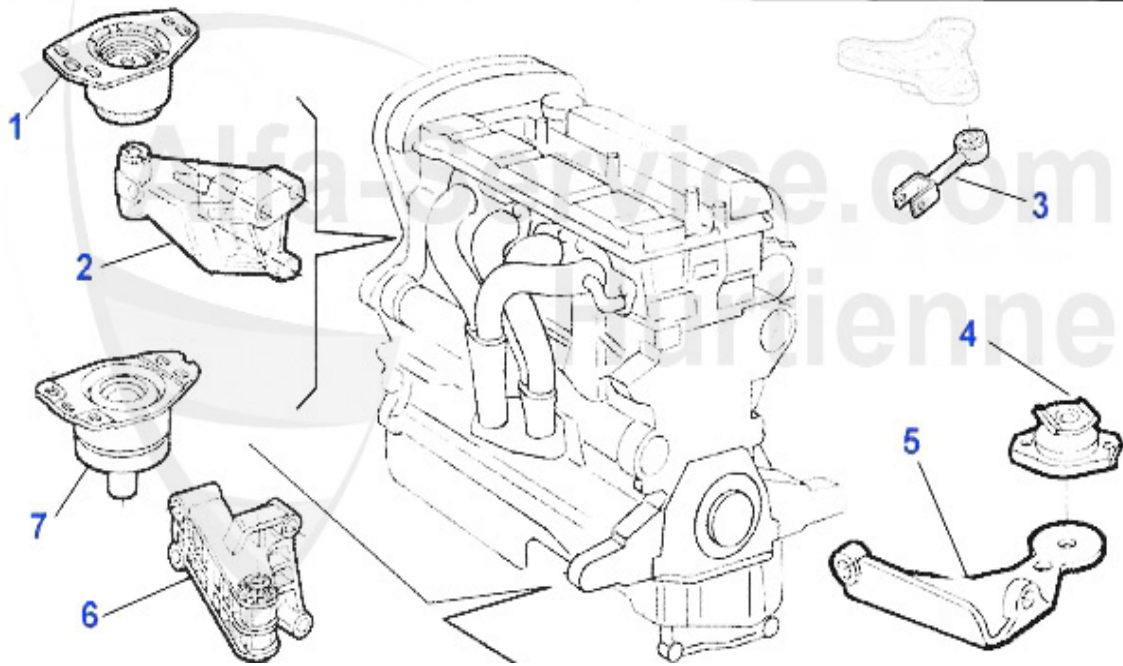
<b>1</b>	<b>KWS80056</b>	<b>Kühlwasserschlauch unter Ausgleichs behälter 155 2.5 TD</b>	<b>7.08 EUR</b>
<b>2</b>	<b>KWS80068</b>	<b>Kühlwasserschlauch unten 155 2.5 TD</b>	<b>11.19 EUR</b>
<b>3</b>	<b>KWS80067</b>	<b>Kühlwasserschlauch zwischen den bei den Verteilerrohren</b>	<b>10.15 EUR</b>
<b>4</b>	<b>KWS13630</b>	<b>Kühlwasserschlauch Wasserpumpe/Vert eilerrohr 155,164 S</b>	<b>15.28 EUR</b>
<b>5</b>	<b>KWS80069</b>	<b>Kühlwasserschlauch oben 155 2.5 TD</b>	<b>18.36 EUR</b>

# Motorlager/Enginemount 155 TS 8V



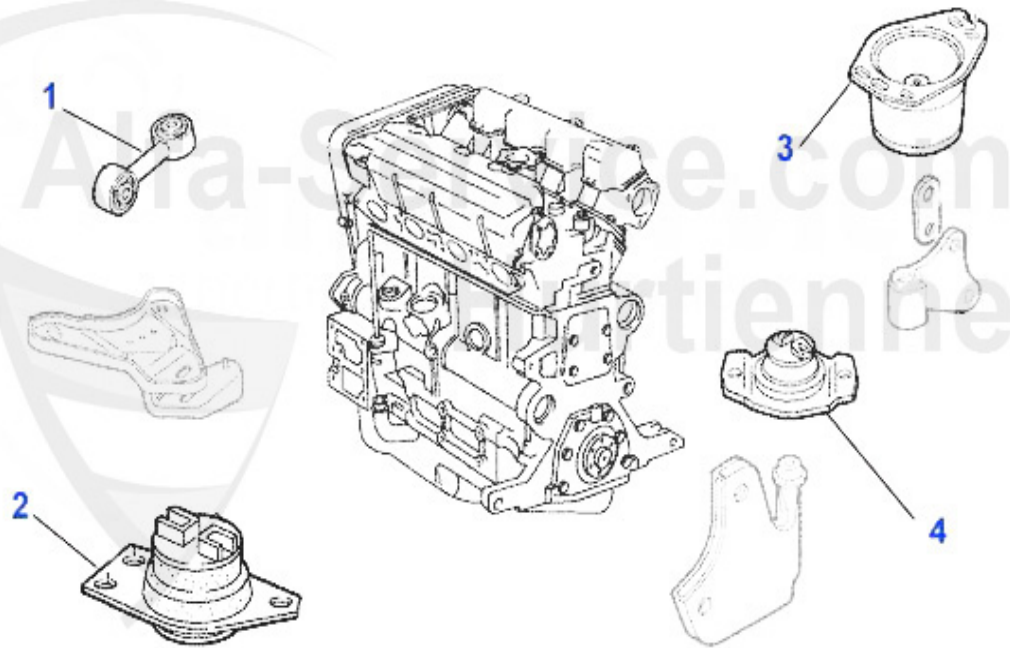
<b>1</b>	<b>ML8775</b>	<b>Motorlagerbuchse vorne 145/6, 155,164,spider/gtv (916)</b>	<b>20.00 EUR</b>
<b>3</b>	<b>ML3237</b>	<b>FRONT ENGINE MOUNT 145/6,155 all TS MODELS 16V &amp; 6 CYL.</b>	<b>69.00 EUR</b>
<b>5</b>	<b>ML67561</b>	<b>OE. 60567561 ENGINEMOUNT REAR 155 TS 8V/ 2.5 V6</b>	<b>109.00 EUR</b>
<b>6</b>	<b>ML9359</b>	<b>OE.7644686 ENGINE MOUNT REAR 147, 155, 156</b>	<b>55.81 EUR</b>

# Motorlager/Engine Mount 155 TS 16V



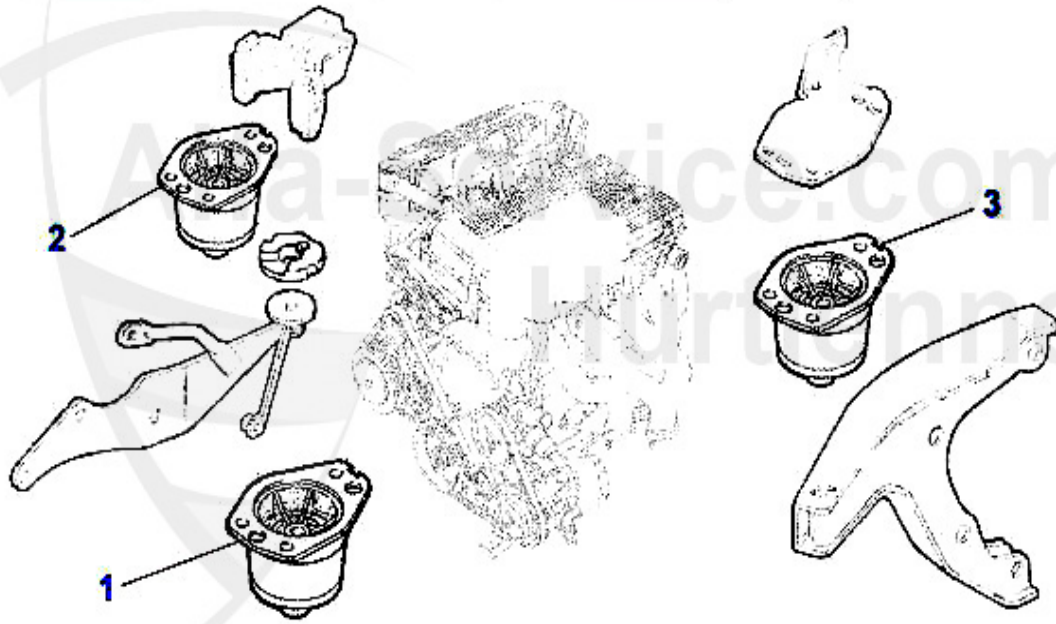
<b>1</b>	<b>ML52930</b>	<b>OE. 46452930 ENGINE MOUNT FL 145/6 1999&gt; 2.0 TS 16V,155</b>	<b>149.00 EUR</b>
<b>1</b>	<b>ML3237</b>	<b>FRONT ENGINE MOUNT 145/6,155 all TS MODELS 16V &amp; 6 CYL.</b>	<b>69.00 EUR</b>
<b>2</b>	<b>ML99403</b>	<b>OE. 60672234/60599403 ENGINE MOUNT</b>	<b>109.00 EUR</b>
<b>4</b>	<b>ML46931</b>	<b>OE. 46446931/60812783 ENGINE MOUNT RR 155 1.6/1.8 TS 16</b>	<b>70.00 EUR</b>
<b>4</b>	<b>ML3234</b>	<b>OE. 7652240/60808861 ENGINE MOUNT</b>	<b>79.50 EUR</b>
<b>5</b>	<b>ML70915</b>	<b>OE. 7770915 SUPPORT</b>	<b>Preis auf Anfrage</b>
<b>7</b>	<b>ML88460</b>	<b>ENGINE MOUNT 145/6,147 (74KW),155,156, GTV/SPIDER (916)</b>	<b>99.00 EUR</b>

# Motorlager/Enginemount 155 2.5 V6



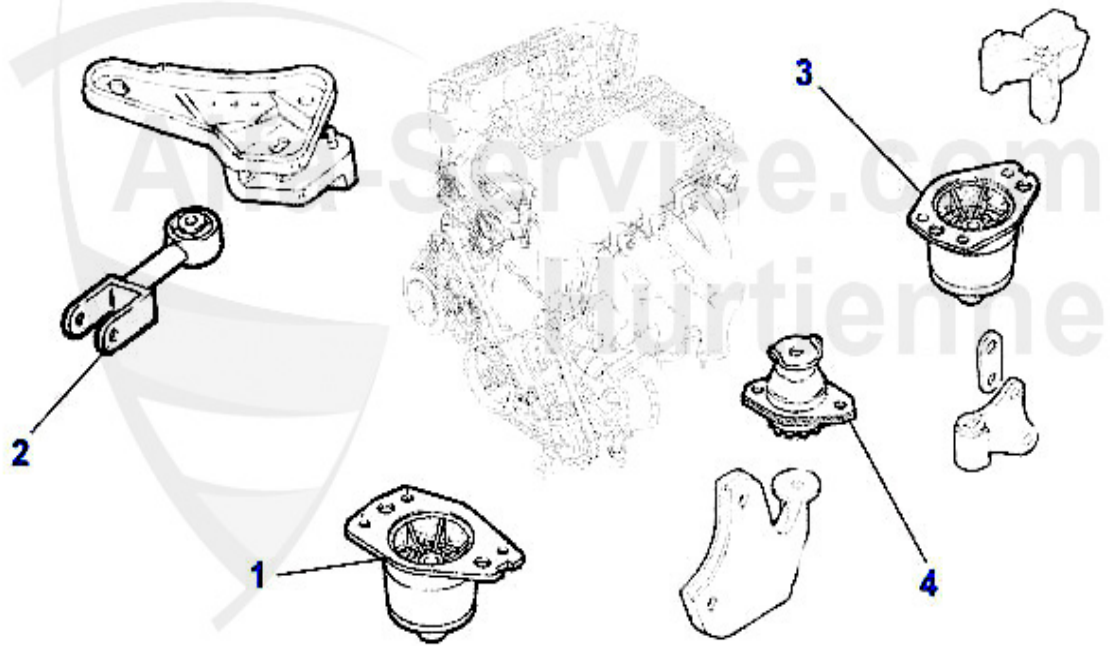
<b>3</b>	<b>ML67561</b>	<b>OE. 60567561 ENGINEMOUNT REAR 155 TS 8V/ 2.5 V6</b>	<b>109.00 EUR</b>
<b>4</b>	<b>ML9359</b>	<b>OE.7644686 ENGINE MOUNT REAR 147, 155, 156</b>	<b>55.81 EUR</b>

# Motorlager/Enginemount 155 1.9 TD



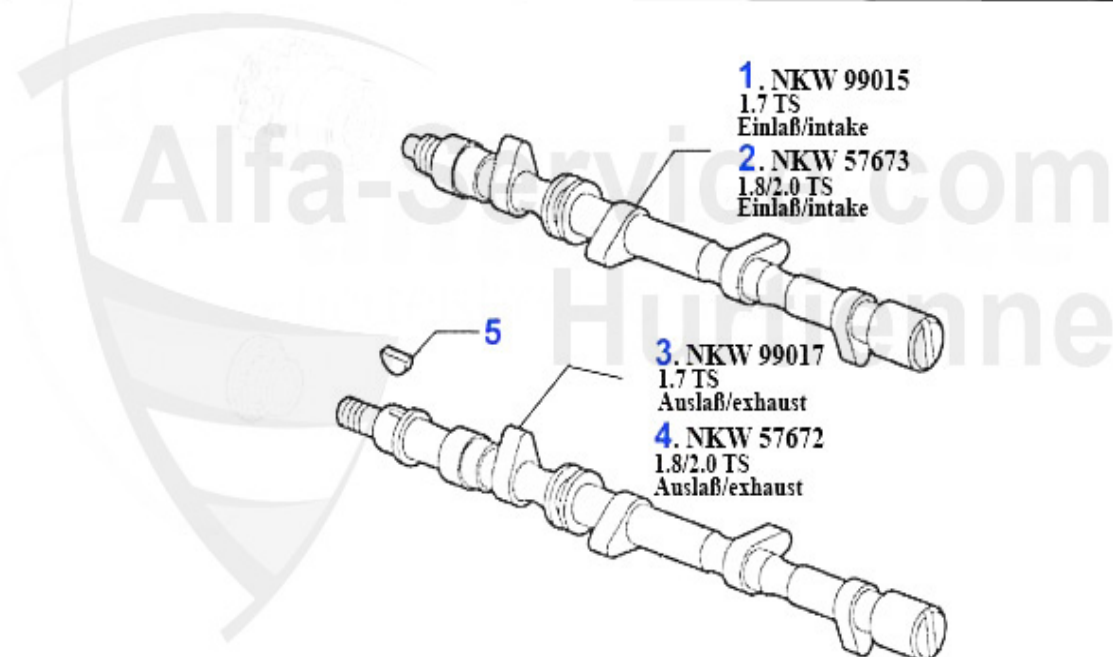
1	ML32301	Motorlager vorne 145/6 alle 155 nur diesel	61.45 EUR
2	ML3234	OE. 7652240/60808861 ENGINE MOUNT	79.50 EUR
3	ML32331	Motorlager hinten 145/6 alle 155 nur diesel	71.29 EUR

# Motorlager/Enginemount 155 2.5 TD



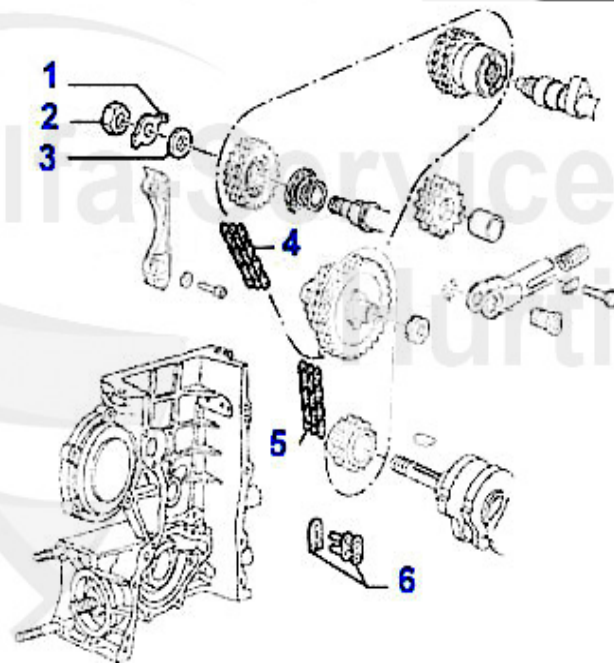
<b>1</b>	<b>ML64421</b>	<b>OE. 60564421 ENGINEMOUNT FL 155 2.5 TD</b>	<b>43.60 EUR</b>
<b>2</b>	<b>ML62575</b>	<b>OE. 60562575 ENGINE ROD 155 2.5 TD</b>	<b>40.52 EUR</b>
<b>3</b>	<b>ML64419</b>	<b>OE. 60564419/20 ENGINEMOUNT RR 155 2.5 TD</b>	<b>44.63 EUR</b>
<b>4</b>	<b>ML64423</b>	<b>OE. 60564423 ENGINEMOUNT RL 155 2.5 TD</b>	<b>26.57 EUR</b>

## Nockenwelle 155 TS 8V



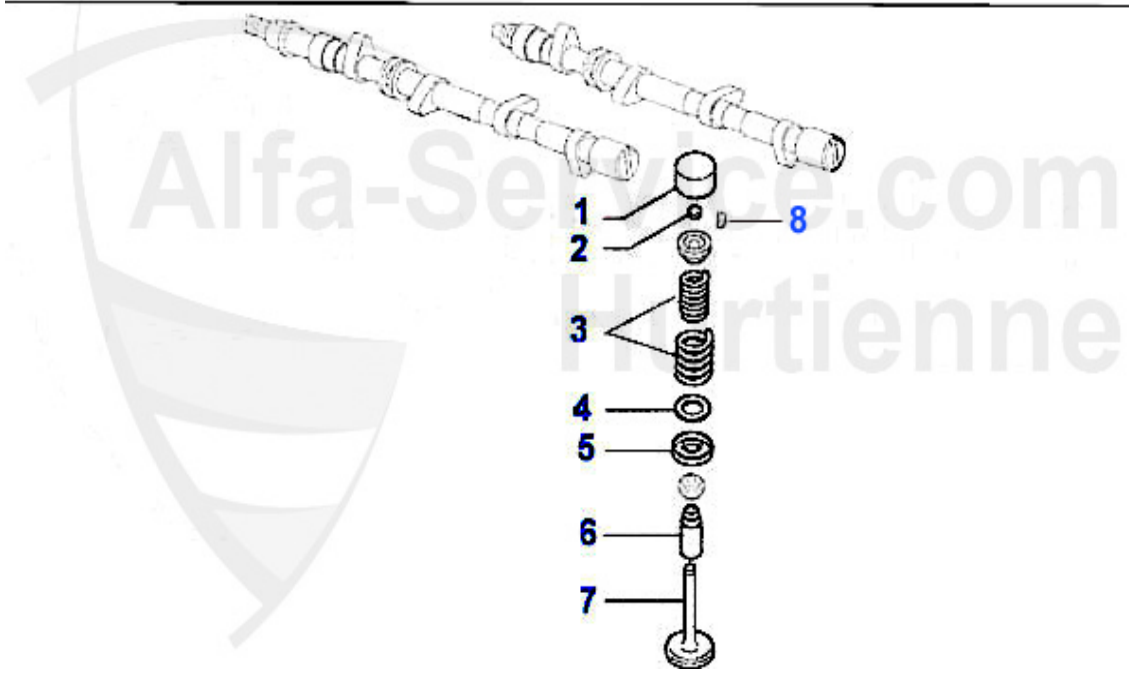
1	NKW99015	Nockenwelle (Einlaß)155 1.7 TS Bj. >96	354.99 EUR
2	NKW57673	Nockenwelle (Einlaß) 155 1.8/2.0 TS Bj. >96,164 Super 2	225.01 EUR
3	NKW99017	CAM SHAFT (EXHAUST) 155 1.7 TS >96	320.00 EUR
4	NKW57672	CAMSHAFT (EXHAUST) 155 1.8/2.0 TS >96, 164 SUPER 2.0 T	225.01 EUR
5	03 137 0 0	WEDGE FOR CAMSHAFTS	6.90 EUR

## Steuerkette 155 TS 8V



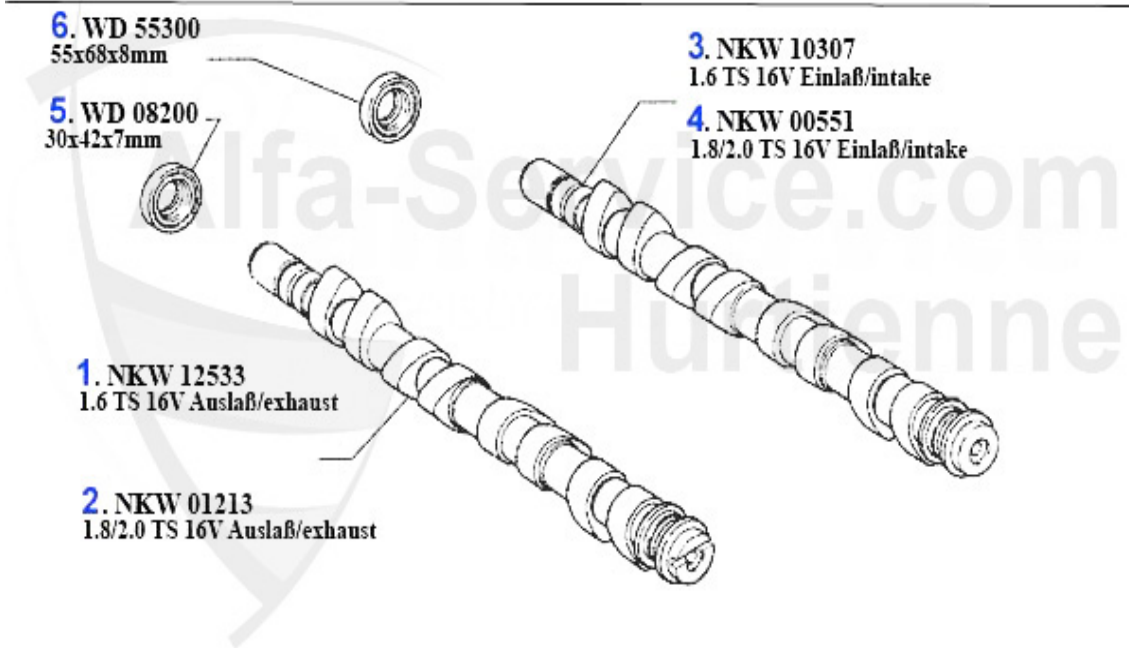
<b>1</b>	<b>03 123 0 0</b>	<b>LOCK TAB CAMSHAFT</b>	<b>2.34 EUR</b>
<b>2</b>	<b>03 121 0 0</b>	<b>MOUNTING NUT-CHAIN WHEEL-CAMSHAFT</b>	<b>2.20 EUR</b>
<b>3</b>	<b>03 122 0 0</b>	<b>THRUST WASHER MOUNTING NUT</b>	<b>1.25 EUR</b>
<b>4</b>	<b>STK13301</b>	<b>TIMING CHAIN LONG 75,155,164</b>	<b>92.50 EUR</b>
<b>5</b>	<b>03 047 0 0 R</b>	<b>TIMING CHAIN IWIS RACING 1300-2000 SHORT ENDLESS</b>	<b>69.00 EUR</b>
<b>5</b>	<b>03 047 0 0 I</b>	<b>TIMING CHAIN IWIS 1300-2000 SHORT ENDLESS</b>	<b>55.00 EUR</b>
<b>5</b>	<b>03 047 0 0</b>	<b>TIMING CHAIN 1300-2000 SHORT ENDLESS</b>	<b>24.50 EUR</b>
<b>6</b>	<b>03 048 0 0</b>	<b>MASTER LINK</b>	<b>4.50 EUR</b>

## Ventiltrieb 155 TS 8V



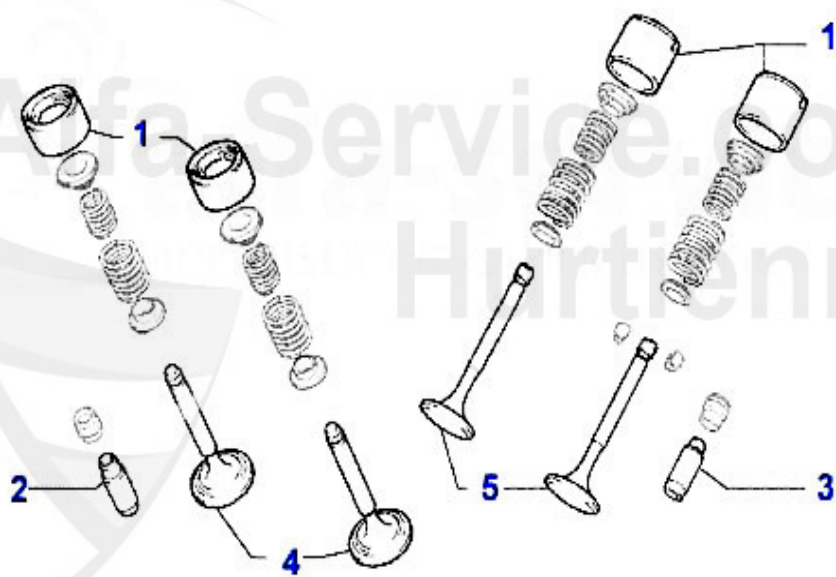
1	03 083 0 0	CAM FOLLOWER WITH DLC COATING 101/105/116/75/155/164/16	35.00 EUR
1	03 068 0 0	CAM FOLLOWER OE60612178	16.90 EUR
2	VEP1085	VALVE PAD SET 8mm 2,525- 3,500, 200 pcs, TS 8V	548.99 EUR
3	03 274 0 0	VALVE SPRING SET 16 pcs	95.00 EUR
4	03 295 0 0	OE.60502912 WASHER INSIDE LOWER VALVE SPRING PLATE	3.55 EUR
5	03 292 0 0	CUP FOR VALVE WASHER	9.90 EUR
6	VFE01258	OE. 60701258 VALVE GUIDE INTAKE 75,164/Super 2.0 TS	14.90 EUR
6	VFA80247	OE. 60580247 VALVE GUIDE EXHAUST TS 8V	14.90 EUR
7	VE64098	OE. 60564098 Valve Intake TS 8V	33.30 EUR
7	VA12751	OE. 60512751 Valve Exhaust TS 8V	35.00 EUR
8	VEP1083	VALVE PAD SET 8mm 1500-2500, 20 pcs, TS 8V	499.00 EUR
8	VK 8	Valve cotters 8mm twin spark OE.60503036	1.20 EUR

## Nockenwelle 155 TS 16V



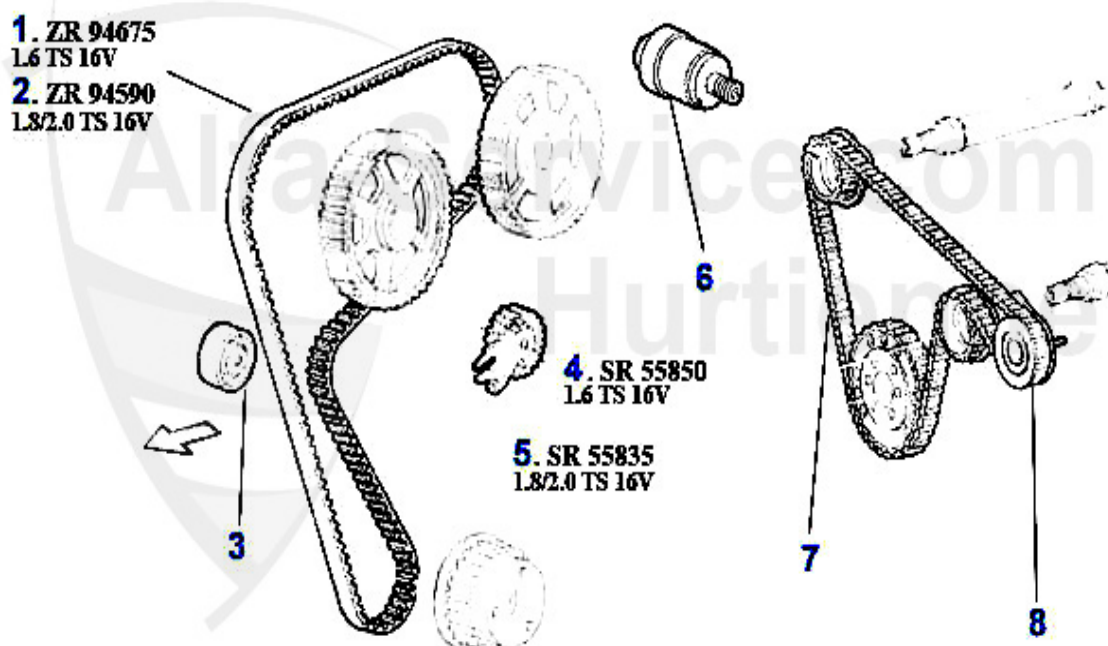
1	NKW12533	Nockenwelle (Auslaß) 145/6,147,155, 156 1.4/1.6 TS 16V	243.13 EUR
2	NKW01213	OE. 60601213 CAMSHAFT	419.00 EUR
3	NKW10307	Nockenwelle (Einlaß) 145/6,155,156 1.4/1.6 TS 16V	242.11 EUR
4	NKW00551	OE. 60600551 CAMSHAFT	Preis auf Anfrage
5	WD08200	CAMSHAFT 145/6,155,156,GTV/SPIDER (916), 166 VARIOUS 96	15.51 EUR
6	WD55300	CAMSHAFT OIL SEAL 145/6,155,156 1.6,1.7, 1.8,2.0 16V TS	17.90 EUR

## Ventiltrieb 155 TS 16V



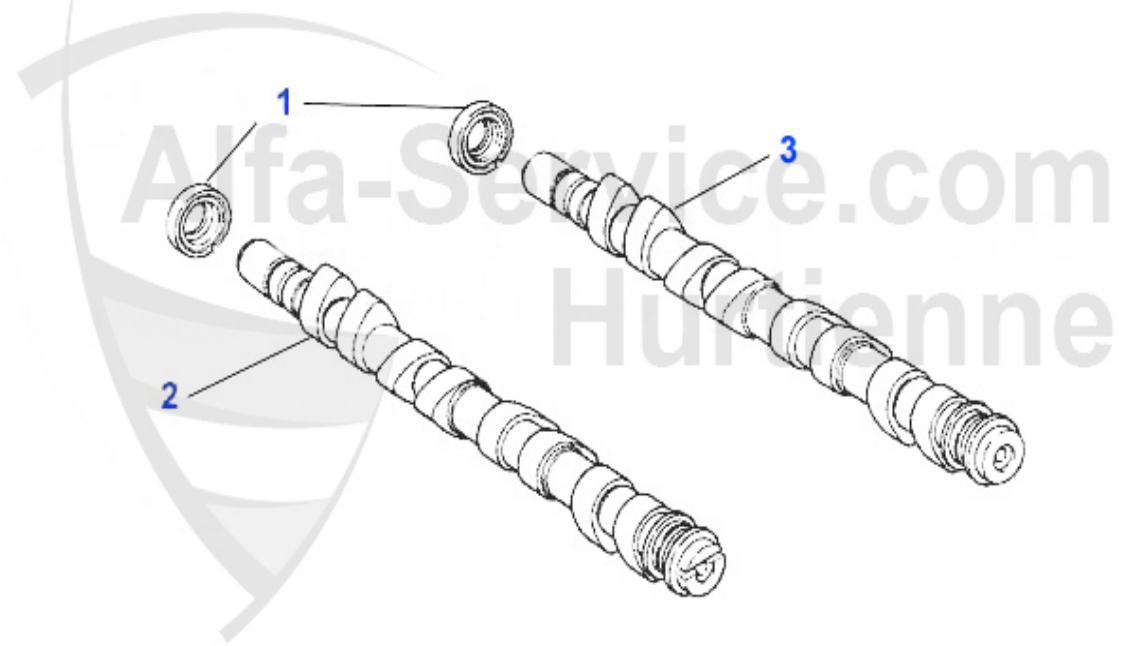
1	HST12769	HYDRAULIC VALVE LIFTER 145/6,147,155 156,166,GTV/SPIDER	6.50 EUR
2	VFA11582	Ventilführung Auslaß + 0.05 TS 16V	21.03 EUR
3	VFE11575	Ventilführung Einlaß +0.05 TS 16V	21.03 EUR
4	VA91934	EXHAUST VALVE 145/6,155,156,SPIDER/GTV (916) 1.6/1.8/2.	18.05 EUR
5	VE91933	INLET VALVE 145/6,155,156,SPIDER/GTV (916) 1.6/1.8/2.0	15.28 EUR

## Zahnriemen 155 TS 16V



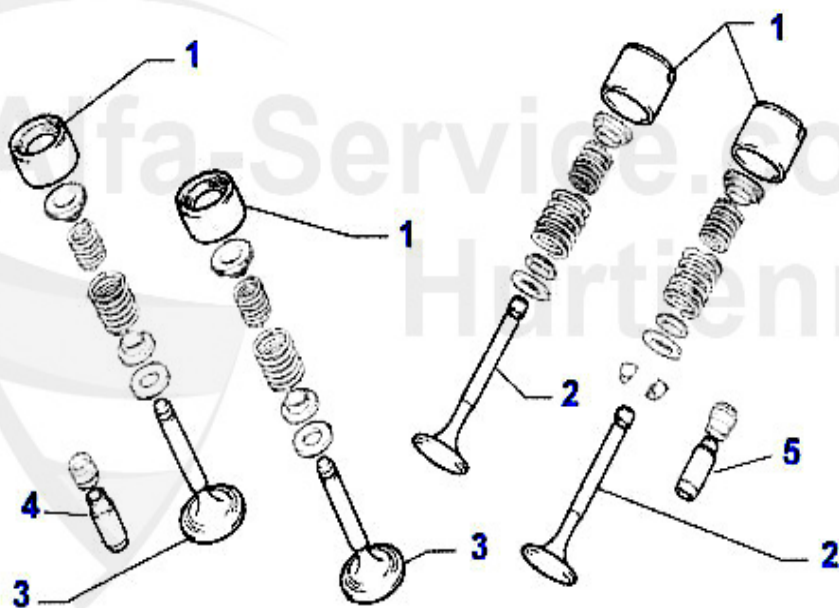
1	ZR94675	Zahnriemen 166SHPN240H 145/6,155/6 4-Zylinder(Mot.CF2/3	42.58 EUR
2	ZR94590	OE.60814319 TIMING BELT 168SHPN240H 145/6 1.8/2.0 IE/16	49.50 EUR
3	UR55851	OE. 60671573 DEFLECTION PULLEY 1.8 TS 16V 145/6, 147, 1	32.50 EUR
4	SR55850	Spannrolle Zahnriemen 145/6 1.4 ie 16V TS,155/6 1.6 ie	36.00 EUR
5	SR55835	OE. 55192239 IDLER PULLEY 1.8 TS 16V 145/6, 147, 155, 1	89.50 EUR
6	SZVRS15450	Reparatursatz Spritzzeitversteller Alfa 145/46 155/6 Sp	Preis auf Anfrage
6	SZV60666199	ORIGINAL ADVANCE VARIATOR TS 16V FOR 145/6,155,156,164,	Preis auf Anfrage
7	ZR94591	Zahnriemen 130SLDD150H 145/6,155/6 2.0 16V TS Ausgleich	66.00 EUR
8	SR20443	Spannrolle für Ausgleichswelle 2.0 TS gtv/spider (916)	39.50 EUR

## Nockenwelle 155 Turbo Q4



<b>1</b>	<b>WD08200</b>	<b>CAMSHAFT 145/6,155,156,GTV/SPIDER (916), 166 VARIOUS 96</b>	<b>15.51 EUR</b>
<b>2</b>	<b>NKW05830</b>	<b>Nockenwelle (Auslaß) 155 2.0 16V Tu rbo</b>	<b>313.61 EUR</b>
<b>3</b>	<b>NKW05829</b>	<b>CAMSHAFT (INTAKE) 155 2.0 16V TURBO</b>	<b>381.99 EUR</b>

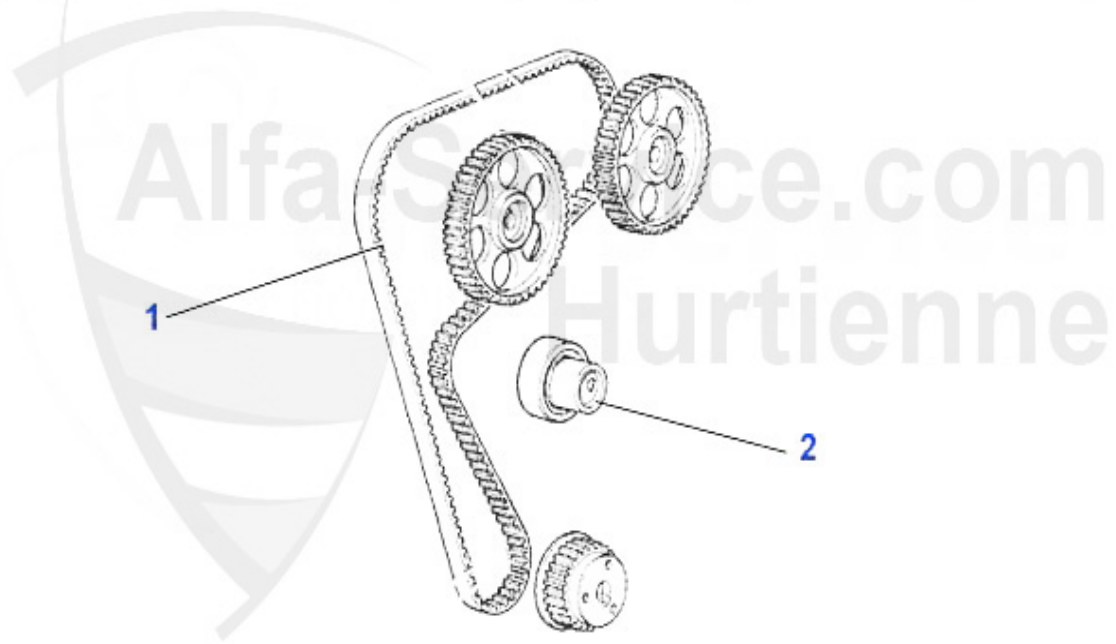
## Ventiltrieb 155 Turbo Q4



1	HST52447	Hydrost	14.26 EUR
2	VE22907	OE. 7722907 VALVE-INTAKE	22.50 EUR
3	VA50916	OE. 7650916 VALVE-EXHAUST 155 Turbo Q4	55.91 EUR
4	VFA11680	OE. 7611680 VALVE GUIDE EXHAUST	15.90 EUR
5	VFE16992	OE. 7616992 VALVE GUIDE INTAKE 155 Q4	5.21 EUR

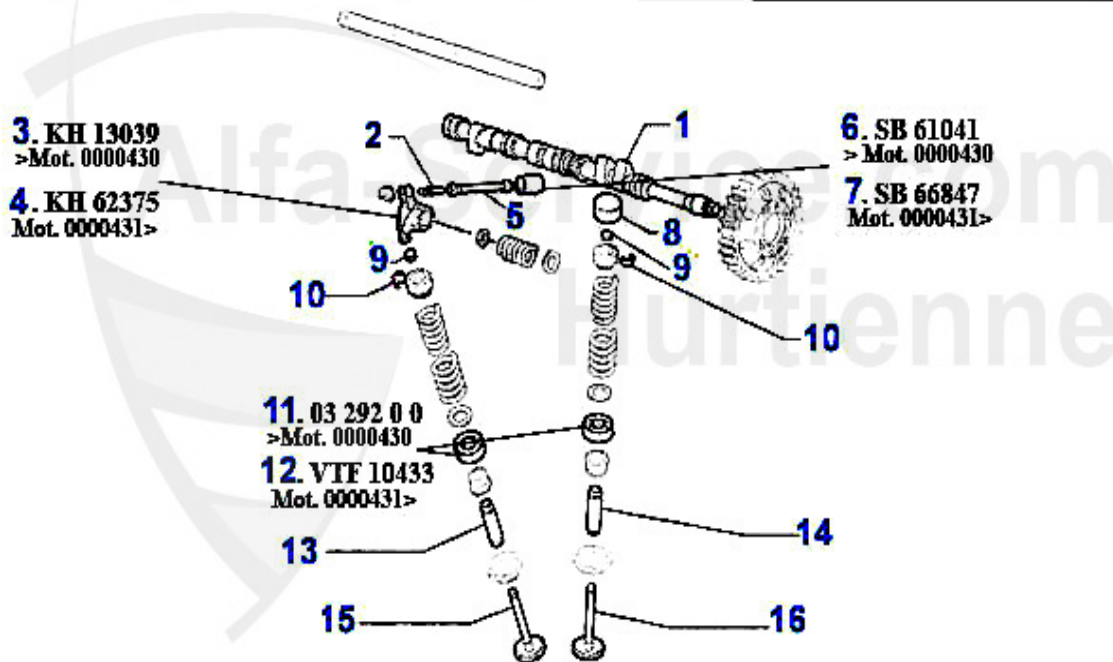
## Zahnriemen 155 Turbo Q4

---



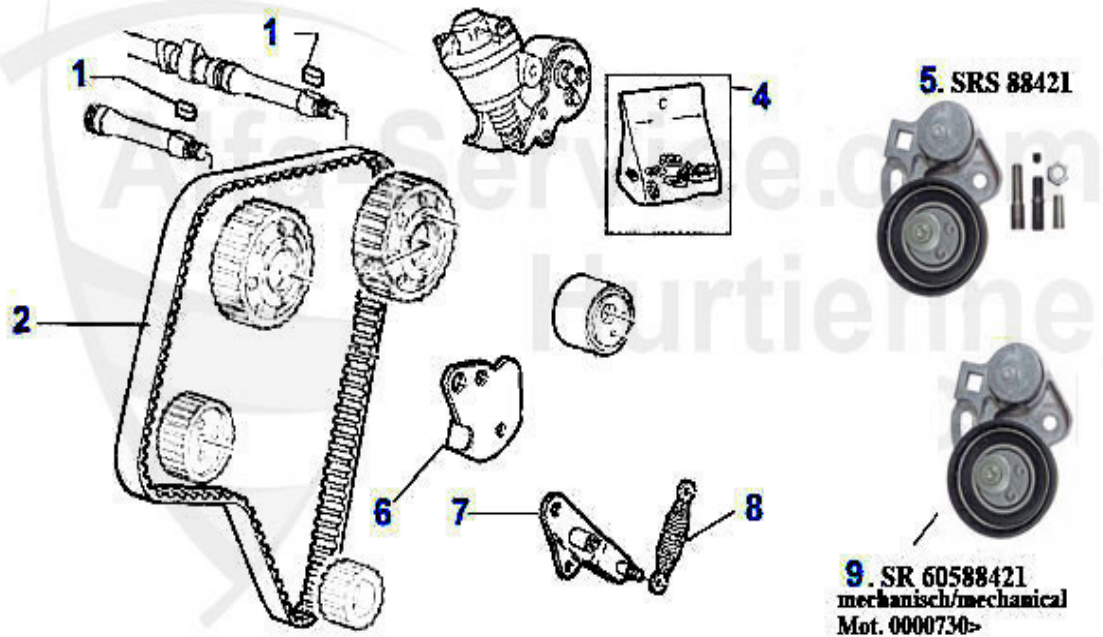
<b>1</b>	<b>ZR94491</b>	<b>TIMING BELT 173SHP180H 155 16V TURBO HIGH TEMPERATURE V</b>	<b>42.79 EUR</b>
<b>2</b>	<b>SR55804</b>	<b>OE. 5997325 Belt Stretcher</b>	<b>44.49 EUR</b>

## Ventiltrieb 155 2.5 V6



1	NKW00454	CAMSHAFT RIGHT 155 2.5 V6	499.00 EUR
1	NKW00455	CAMSHAFT LEFT 155 2.5 V6	499.00 EUR
3	KH13039	Kipphebel (Auslaß) 75, 155, 164, RZ/SZ	47.12 EUR
4	KH62375	Kipphebel (Auslaß) 155, 164/Super, 166, gtv/spider (916	109.00 EUR
5	SS07401	PUSH ROD (exhaust) 75,155,164,166,RZ/SZ, GTV/SPIDER (91	Preis auf Anfrage
6	SB61041	OE. 60561041 EXHAUST TAPPET 6-CYL.	26.50 EUR
7	SB66847	CAMFOLLOWER 155,164 GTV/SPIDER 916 24 x 21,5 x 36	20.25 EUR
8	03 068 0 0	CAM FOLLOWER OE60612178	16.90 EUR
8	03 083 0 0	CAM FOLLOWER WITH DLC COATING 101/105/116/75/155/164/16	35.00 EUR
9	03 114 0 0	VALVE ADJUSTING SHIMS 200 pcs per box 2.525 - 3.500 mm	559.00 EUR
9	03 084 0 0	VALVE ADJUSTING SHIMS 205 pcs per box 1.500 - 2.500 mm	559.00 EUR
10	03 296 0 0	VALVE COTTERS 9mm	1.90 EUR
11	03 292 0 0	CUP FOR VALVE WASHER	9.90 EUR
12	VTF10433	OE. 60601088/60810433 VALVE CUP	6.81 EUR
13	VFA815609	OE. 60605721 VALVE GUIDE-EXHAUST 6-Cylinder 116	13.49 EUR
14	VFE05739	OE. 60605739 VALVE GUIDE INTAKE	22.50 EUR
15	VE91624	OE. 60523548 VALVE-INTAKE 6 CYL. 116 2.5 L	32.00 EUR
16	VA91625	OE. 60810441 VALVE-EXHAUST 6-CYL. 116 2.5 L	29.90 EUR

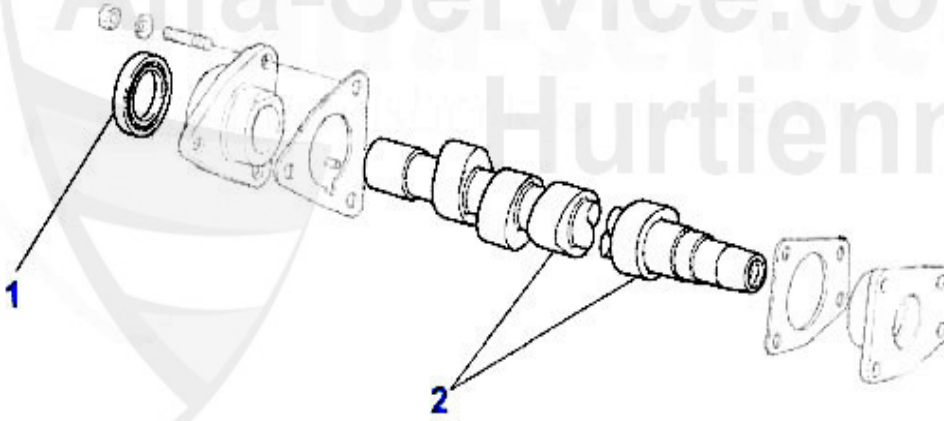
## Zahnriemen 155 2.5 V6



**9. SR 60588421**  
mechanisch/mechanical  
Mot. 0000730>

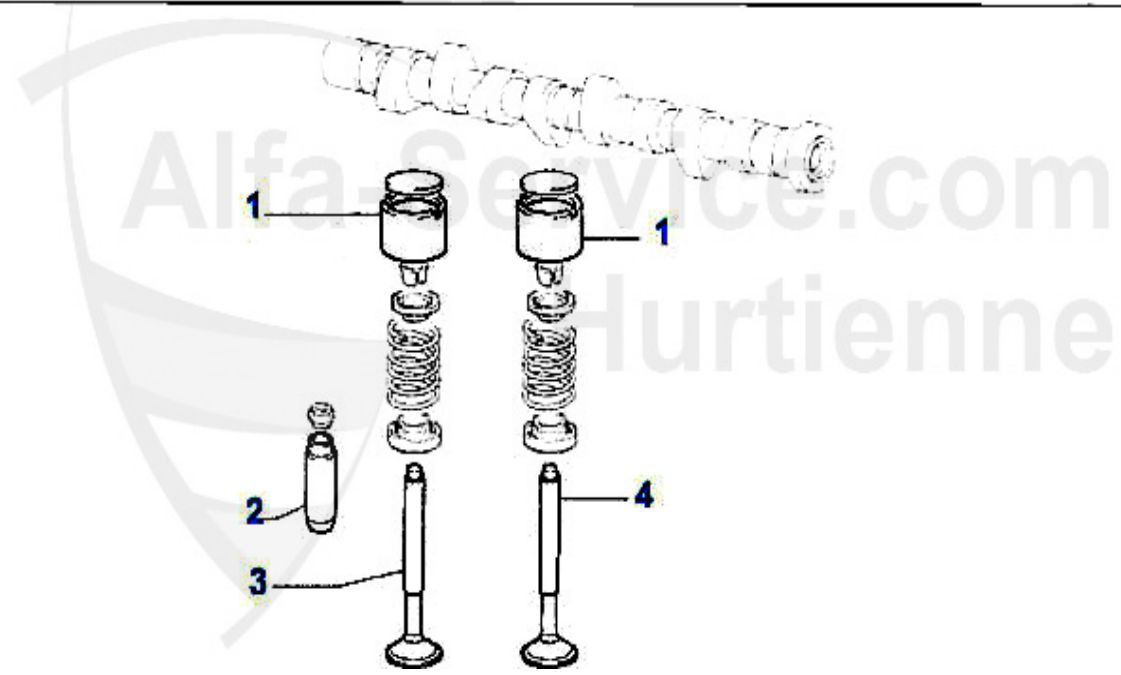
1	03 137 0 0	WEDGE FOR CAMSHAFTS	6.90 EUR
2	ZR94411	OE. 60500466 TIMINGBELT V6 12V 1992>	49.90 EUR
4	DS77065	OE. 60777065 GASKET-SET BELT TENSIONER	44.49 EUR
5	SRS88421	CONVERSION KIT TIMING BELT TENSIONER HYDRAULIC TO MECHA	239.00 EUR
6	SRPL7320	Halteplatte zu Riemenspanner # SR60808222	4.62 EUR
7	SR13023	OE. 60513023/60507460 Bracket	33.34 EUR
8	SF07469	OE.60507469 SPRING	Preis auf Anfrage
9	SR60588421	OE. 60588421 BELT TENSIONER MECHANIC.	149.00 EUR
9	SR02521	OE. 60588421 BELT TENSIONER MECHANIC OEM QUALITY	199.00 EUR

## Nockenwelle 155 1.9 TD



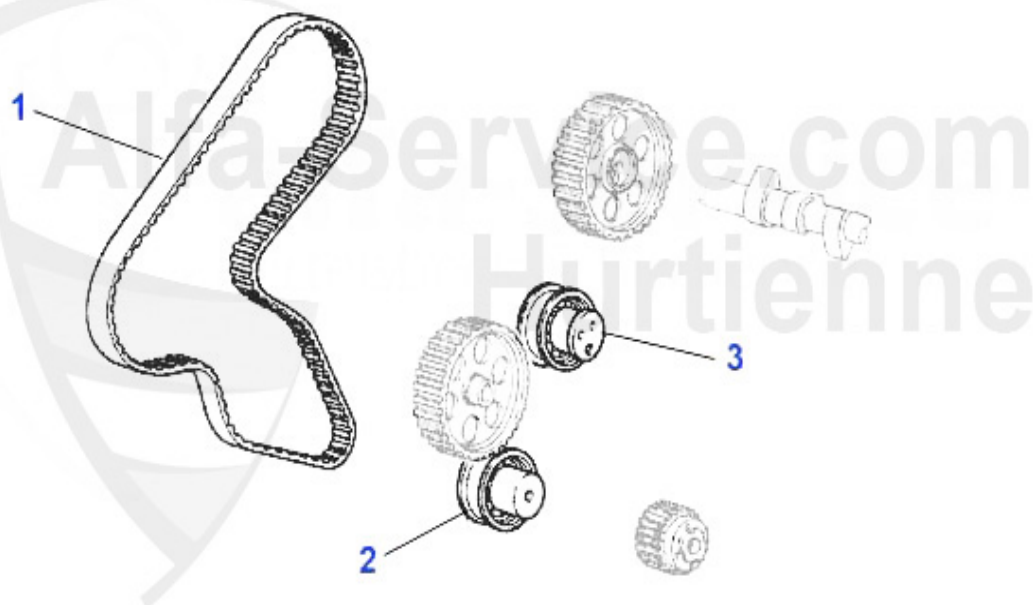
<b>1</b>	<b>WD09700</b>	<b>Siri Nockenwelle 145/6,155 1.9 TD Bj. 93-99 164 2.0 Tur</b>	<b>6.37 EUR</b>
<b>2</b>	<b>NKW52986</b>	<b>Nockenwelle 145/6,155 1.9 TD</b>	<b>234.92 EUR</b>

## Ventiltrieb 155 1.9 TD



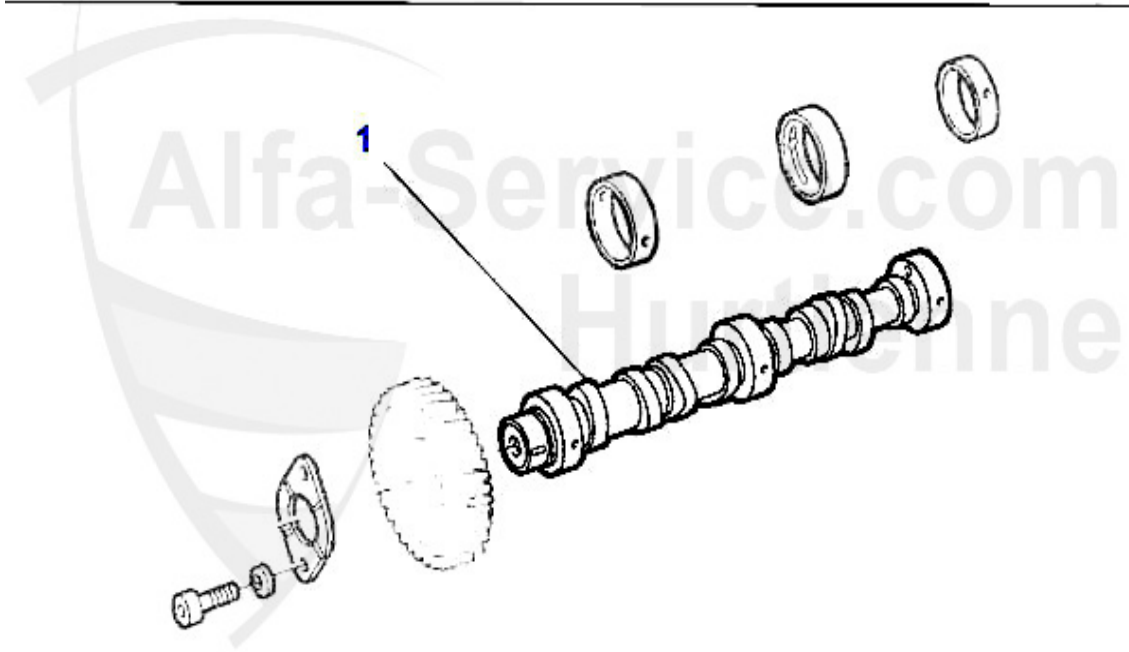
1	HST52447	Hydrost	14.26 EUR
2	VFEA72160	Ventilführung Einlaß/Auslaß 145/6, 155 1.9 TD + 0.05	6.31 EUR
3	VE91291	Ventil-Einlaß 145/6,155 1.9 TD	33.13 EUR
4	VA91321	Ventil-Auslaß 145/6,155 1.9 TD	31.29 EUR

## Zahnriemen 155 1.9 TD



<b>1</b>	<b>ZR94138</b>	<b>Zahnriemen 173SHP220 145/6 1.9 TD Nockenwelle</b>	<b>30.68 EUR</b>
<b>2</b>	<b>UR55825</b>	<b>Umlenkrolle Zahnriemen 145/6,155 1.9 TD</b>	<b>61.04 EUR</b>
<b>3</b>	<b>SR55829</b>	<b>Spannrolle Zahnriemen 145/6,155 1.9 TD</b>	<b>68.22 EUR</b>

## Nockenwelle 155 2.5 TD

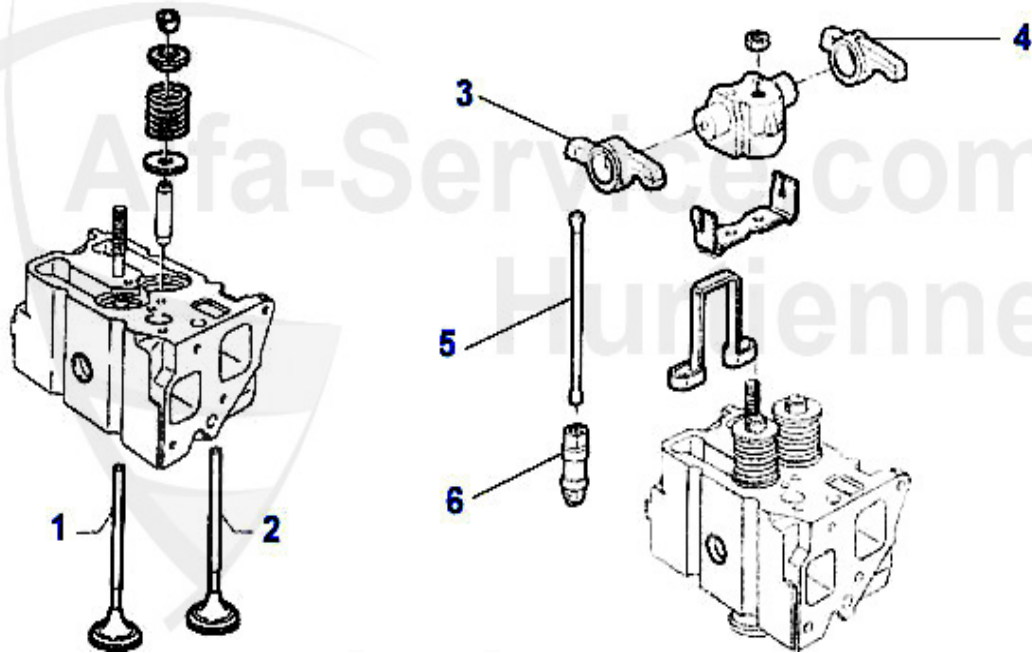


1 NKW15282

Nockenwelle 155,164 Super 2.5 TD ( (CEE F2)

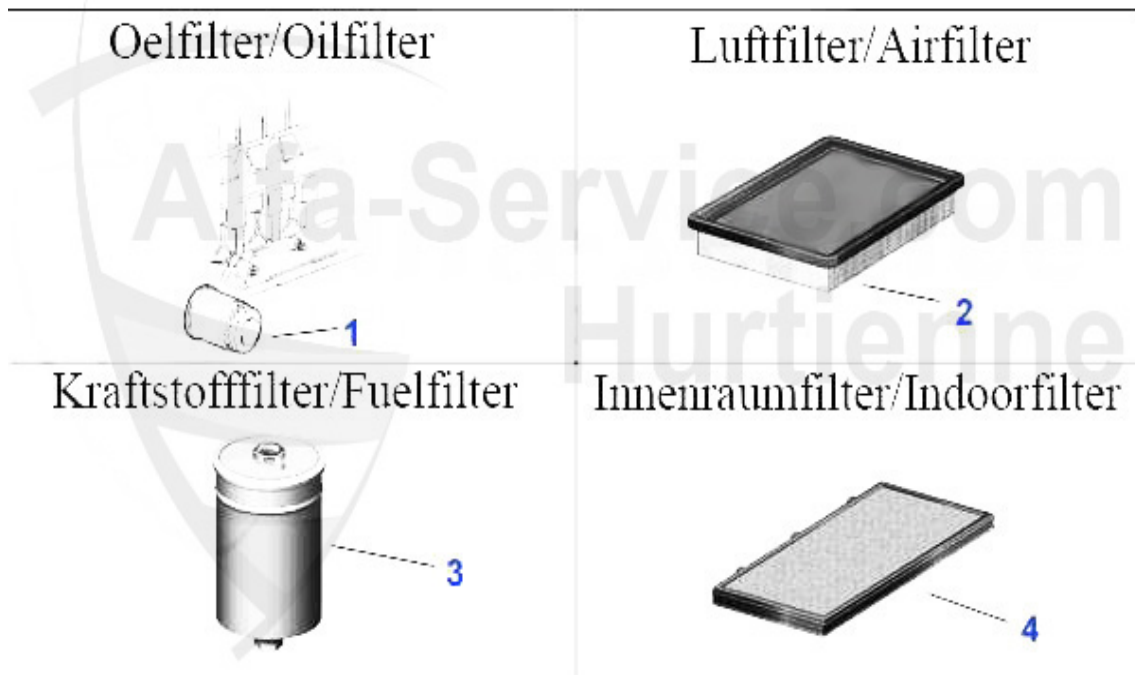
337.51 EUR

## Ventiltrieb 155 2.5 TD



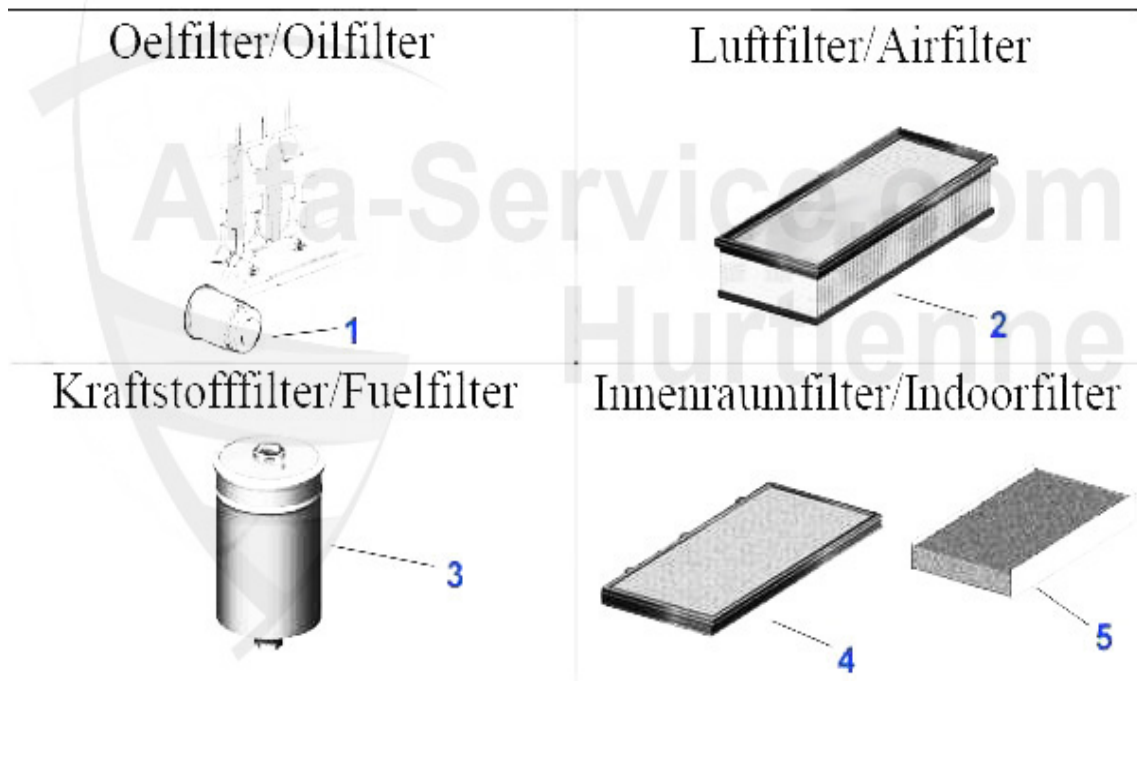
1	VA91438	OE. 60540864 VALVE EXHAUST 1.8/2.5 TD	81.55 EUR
2	VE91437	OE. 60507189 VALVE INTAKE 1.8/2.5 TD	37.85 EUR
3	KH16982	OE. 60616982 Rocker	46.16 EUR
4	KH16983	OE. 60616983 INTAKE ROCKER 2.5 TD	46.16 EUR
5	SS17012	OE. 60617012 PUSH ROD 2.5 TD	13.23 EUR
6	HST17014	OE. 60617014 TAPPET 2.5 TD	22.57 EUR

## Filter 155 TS 8V



<b>1</b>	<b>OF125</b>	<b>OIL FILTER 75, 90, 145/6, 155, 164 ALFETTA, GIULIETTA,</b>	<b>16.51 EUR</b>
<b>2</b>	<b>LF280</b>	<b>AIR FILTER 155 TS/ TD/V6/Q4/GTV/SPIDER(916)2.0 V6 TURBO</b>	<b>17.50 EUR</b>
<b>3</b>	<b>KF96</b>	<b>FUEL FILTER SUD/SPRINT,33 (905/7),145/6, 155,SCREW CART</b>	<b>25.99 EUR</b>
<b>4</b>	<b>IF309</b>	<b>OE.60810570 INDOOR FILTER 145/6/155 &gt;96 GTV Spider(916)</b>	<b>26.91 EUR</b>

# Filter 155 TS 16V



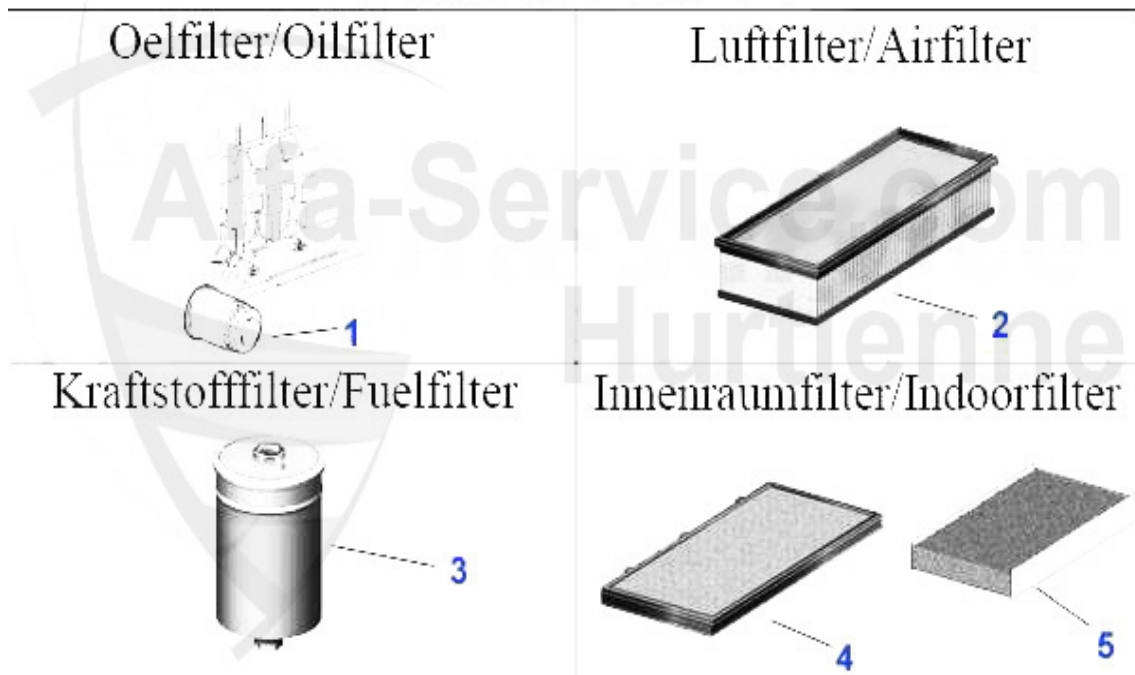
1	OF519	OE. 46808398/71736159 OILFILTER	8.90 EUR
2	LF841	AIR FILTER 145/6 TS 16V,1.9 JTD,155 TS 16V, FIRM	10.15 EUR
3	KF96	FUEL FILTER SUD/SPRINT,33 (905/7),145/6, 155,SCREW CART	25.99 EUR
4	IF309	OE.60810570 INDOOR FILTER 145/6/155 >96 GTV Spider(916)	26.91 EUR
5	IF314	OE.60812197 CABIN FILTER 145/6/155 96> GTV/SPIDER (916)	26.91 EUR

## Filter 155 Turbo Q4 16V



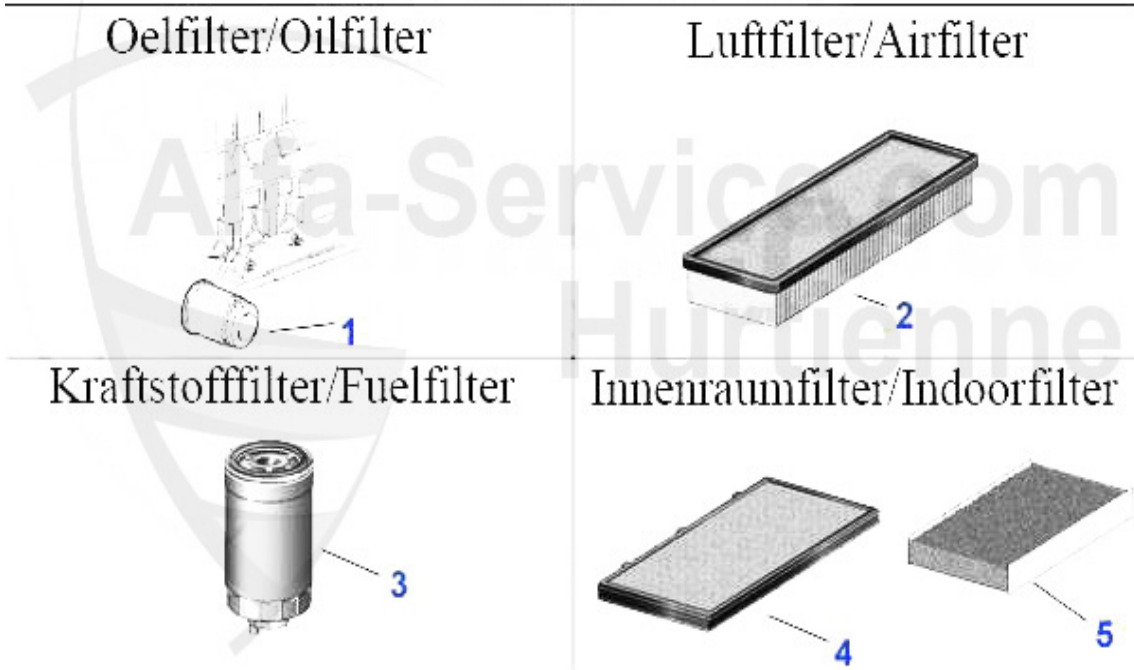
<b>1</b>	<b>OF125</b>	<b>OIL FILTER 75, 90, 145/6, 155, 164 ALFETTA, GIULIETTA,</b>	<b>16.51 EUR</b>
<b>2</b>	<b>LF280</b>	<b>AIR FILTER 155 TS/ TD/V6/Q4/GTV/SPIDER(916)2.0 V6 TURBO</b>	<b>17.50 EUR</b>
<b>3</b>	<b>KF5</b>	<b>Kraftstoff-Filter 155 2.0 16V Turbo Schraubpatrone</b>	<b>19.90 EUR</b>
<b>4</b>	<b>IF309</b>	<b>OE.60810570 INDOOR FILTER 145/6/155 &gt;96 GTV Spider(916)</b>	<b>26.91 EUR</b>

## Filter 155 2.5 V6



<b>1</b>	<b>OF125</b>	<b>OIL FILTER 75, 90, 145/6, 155, 164 ALFETTA, GIULIETTA,</b>	<b>16.51 EUR</b>
<b>1</b>	<b>OF124</b>	<b>OE. 46805830 OILFILTER</b>	<b>9.13 EUR</b>
<b>2</b>	<b>LF280</b>	<b>AIR FILTER 155 TS/ TD/V6/Q4/GTV/SPIDER(916)2.0 V6 TURBO</b>	<b>17.50 EUR</b>
<b>3</b>	<b>KF96</b>	<b>FUEL FILTER SUD/SPRINT,33 (905/7),145/6, 155,SCREW CART</b>	<b>25.99 EUR</b>
<b>4</b>	<b>IF309</b>	<b>OE.60810570 INDOOR FILTER 145/6/155 &gt;96 GTV Spider(916)</b>	<b>26.91 EUR</b>
<b>5</b>	<b>IF314</b>	<b>OE.60812197 CABIN FILTER 145/6/155 96&gt; GTV/SPIDER (916)</b>	<b>26.91 EUR</b>

## Filter 155 1.9 TD



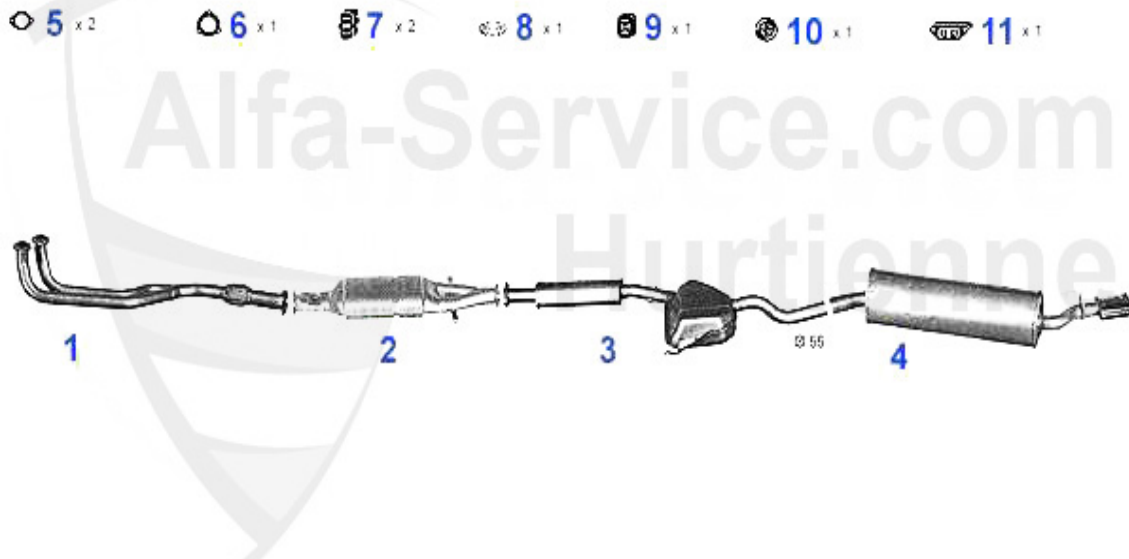
1	OF125	OIL FILTER 75, 90, 145/6, 155, 164 ALFETTA, GIULIETTA,	16.51 EUR
2	LF358	AIR FILTER 145/6,155 1.9 TD, FIRM	13.23 EUR
3	KF234	Kraftstoff-Filter 6,33,75,90,145/6 155,164 Alfetta,Giul	19.08 EUR
4	IF309	OE.60810570 INDOOR FILTER 145/6/155 >96 GTV Spider(916)	26.91 EUR
5	IF314	OE.60812197 CABIN FILTER 145/6/155 96> GTV/SPIDER (916)	26.91 EUR

## Filter 155 2.5 TD



1	OF123	OE. 60553431/60537470/60533494/60521128 OILFILTER	11.00 EUR
2	LF280	AIR FILTER 155 TS/ TD/V6/Q4/GTV/SPIDER(916)2.0 V6 TURBO	17.50 EUR
3	KF57B	Kraftstoff-Filter 155,164/Super 2.5 TD,Anschraubpatrone	29.49 EUR
4	IF309	OE.60810570 INDOOR FILTER 145/6/155 >96 GTV Spider(916)	26.91 EUR
5	IF314	OE.60812197 CABIN FILTER 145/6/155 96> GTV/SPIDER (916)	26.91 EUR

# Abgasanlage/Exhaust System 155 TS 8V



155 TWIN SPARK 1.7/1.8/2.0

'92-'96

1	VR115601	BREECH PIECE 155 1.7-2.0 TS 92-96	208.76 EUR
3	MSD115609	CENTER MUFFLER 155 TS 1.7-2.0 92-96	169.00 EUR
4	NSD115607	REAR SILENCER 155 TS 1.7-2.0 92-96 155 2.5 V6	159.00 EUR
5	SAT094413	OE 60777697, GASKET VSD ALFETTA, GIULIETTA,75,90,155,16	6.00 EUR
6	SAT094411	Dichtung VSD/Kat 155 TS,164 3.0 V6	6.50 EUR
7	SAT091069	Gummi/Auspuffaufhängung Kat 155	3.28 EUR
8	SAT094003	MUFFLER RING FOR VARIOUS MODELS	10.50 EUR
9	SAT091124	SILENT BLOC/EXHAUST SUSPENSION 145/6,155	3.90 EUR
10	SAT091012	OE 60503033, RUBBER/EXHAUST MOUNTING DIVERSE TYPES	4.00 EUR
11	SAT091041	OE.60586017 RUBBER HANGER EXHAUST 145/6, 155 ESD	4.50 EUR

155 > EXHAUST SYSTEM > EXHAUST SYSTEM > TS 16V >4.1996

Abgasanlage/Exhaust System 155 2.0 TS 16V Bj. >4.96

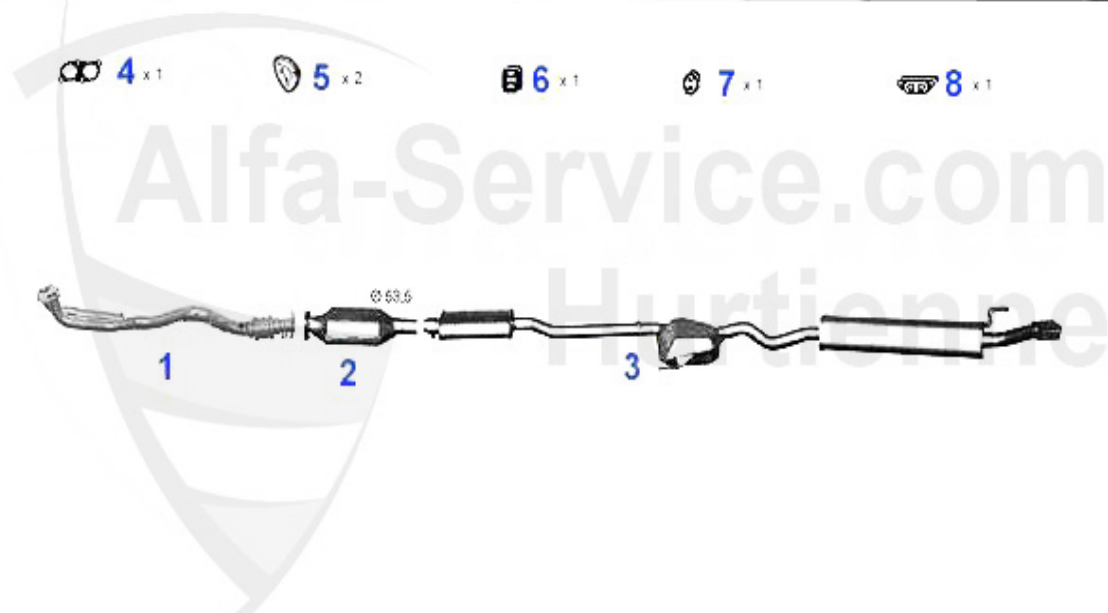


155 2.0i 16V TWIN SPARK

4/'95-4/'96

1	VSD102101	FRONT MUFFLER SPIDER/GTV (916) 1.8 & 2.0 TS 95> 145/6	219.00 EUR
3	MSD116103	CENTER MUFFLER 155 2.0 16V TS 95-96 145 QV,146 2.0 16V	136.96 EUR
4	ESD116109	Mittl. + Endtopf 155 2.0 16V TS Bj. 4.95-4.96	399.00 EUR
5	SAT094474	Dichtung VSD spider/gtv (916) 145/6,155,156 2.0 TS 16V	10.77 EUR
6	SAT094487	CATALYST GASKET SPIDER/GTV (916)	5.08 EUR
7	SAT094002	Brennring Kat Diverse Modelle	8.90 EUR
8	SAT091124	SILENT BLOC/EXHAUST SUSPENSION 145/6,155	3.90 EUR
9	SAT091140	Gummi/Auspuffaufhängung 145/6 ESD 16V TS,155 2.0 16V TS	4.19 EUR
10	SAT091041	OE.60586017 RUBBER HANGER EXHAUST 145/6, 155 ESD	4.50 EUR

# Abgasanlage/Exhaust System 155 TS 16V

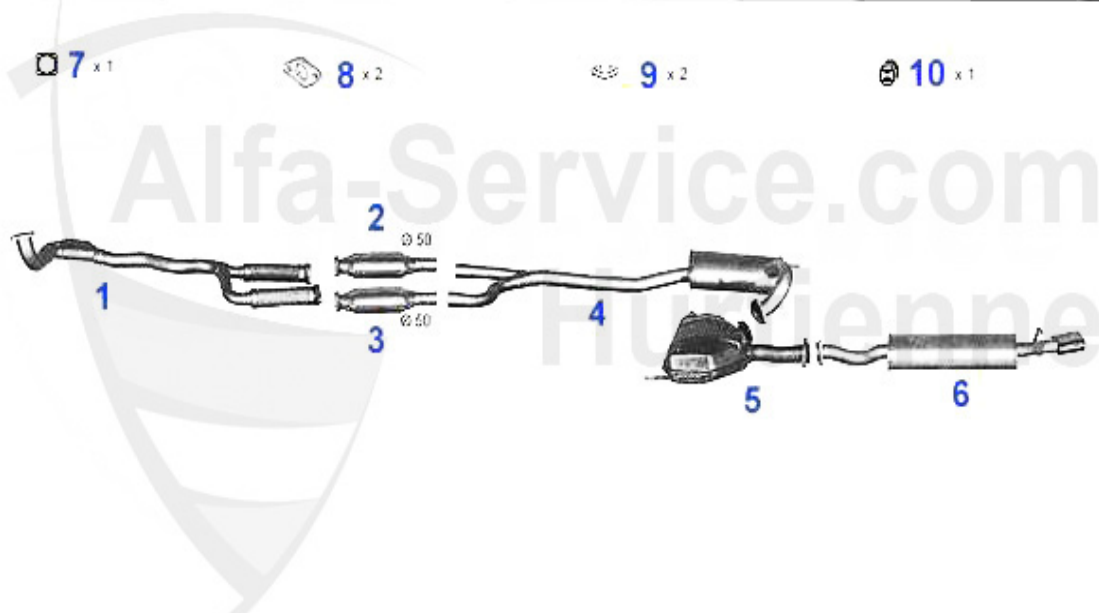


155 16V TWIN SPARK 1.6/1.8/2.0

5/'96-'97

1	VSD116201	Vorschalldämpfer 145/6 1.4-2.0 16V TS bj. 97> 155 1.6-2	159.01 EUR
2	KAT116233	Katalysator 145/6 1.4-2.0 16V TS bj. 97> 155 1.6-2.0 16	646.29 EUR
3	ESD116209	REAR SILENCER 155 1.6-2.0 16V TS 96-97	289.00 EUR
4	SAT094474	Dichtung VSD spider/gtv (916) 145/6,155,156 2.0 TS 16V	10.77 EUR
5	SAT256625	CATALYST GASKET 145/6 97>,155 TS 16V	7.13 EUR
6	SAT091124	SILENT BLOC/EXHAUST SUSPENSION 145/6,155	3.90 EUR
7	SAT091140	Gummi/Auspuffaufhängung 145/6 ESD 16V TS,155 2.0 16V TS	4.19 EUR
8	SAT091041	OE.60586017 RUBBER HANGER EXHAUST 145/6, 155 ESD	4.50 EUR

# Abgasanlage/Exhaust System 155 Turbo Q4

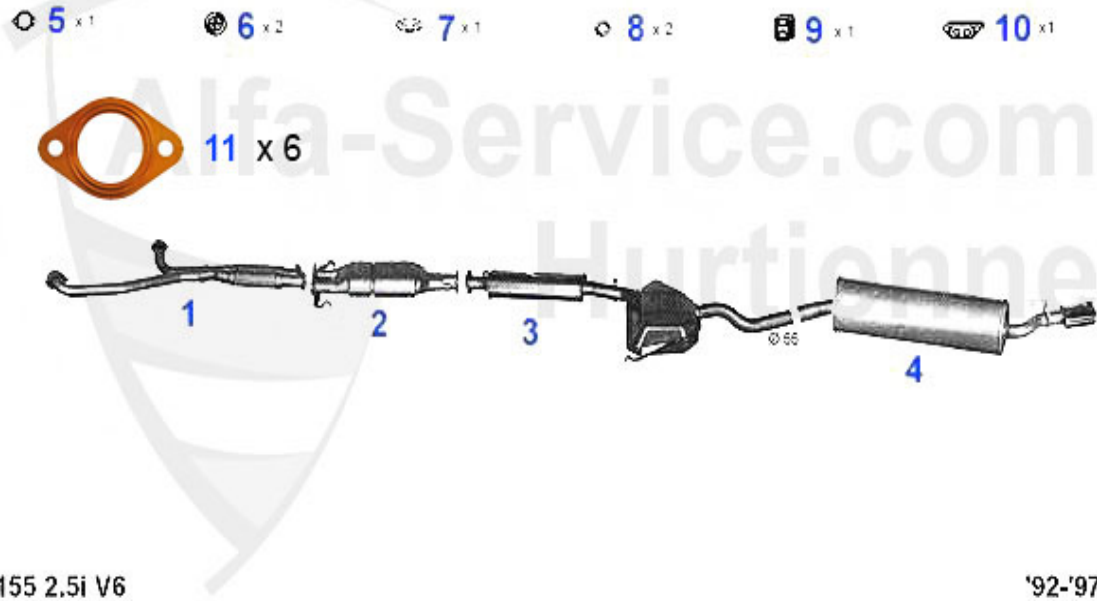


155 2.0i TURBO 16V Q.4

'92-'97

4	MSD115703	CENTER MUFFLER 155 2.0 TURBO 16V TS	379.00 EUR
5	MSD115706	CENTER MUFFLER 155 2.0 TURBO 16V TS	239.00 EUR
6	NSD115707	REAR SILENCER 155 2.0 TURBO 16V TS	199.00 EUR
7	SAT094410	FRONT MUFFLER GASKET 155,164 TURBO	25.13 EUR
9	SAT094003	MUFFLER RING FOR VARIOUS MODELS	10.50 EUR
10	SAT091014	SILENT BLOC REAR SILENCER SUSPENSION SPIDER/GTV (916),	4.11 EUR

# Abgasanlage/Exhaust System 155 2.5 V6

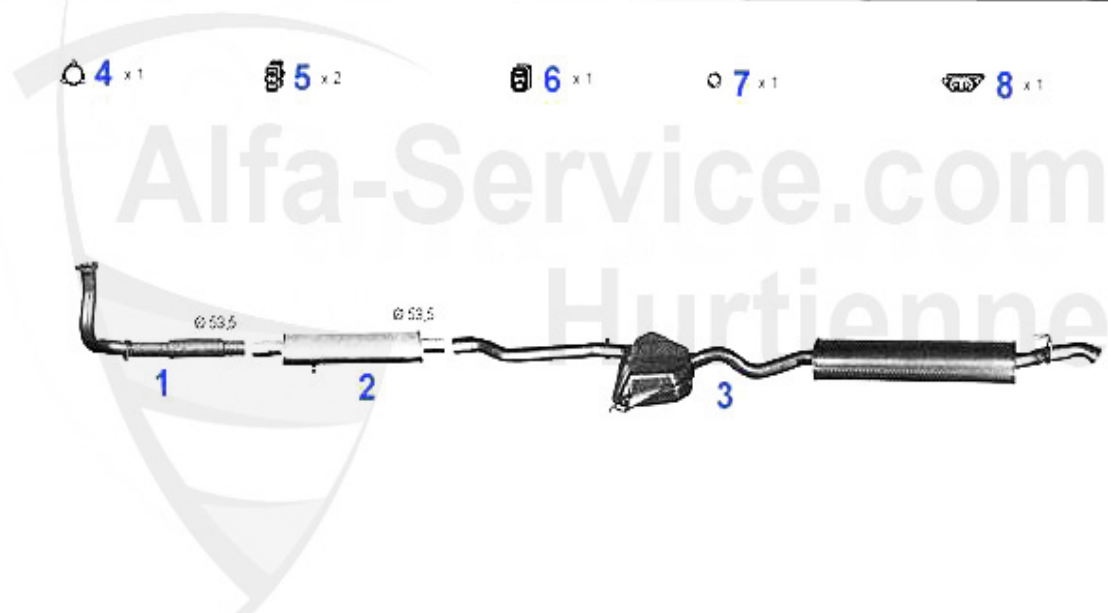


155 2.5i V6

'92-'97

1	VR115901	Hosenrohr mit Kat 155 2.5 V6	299.00 EUR
2	KAT115933	CATALYST 155 2.5 V6	369.00 EUR
3	MSD115909	CENTER MUFFLER 155 2.5 V6	305.00 EUR
4	NSD115607	REAR SILENCER 155 TS 1.7-2.0 92-96 155 2.5 V6	159.00 EUR
5	SAT094413	OE 60777697, GASKET VSD ALFETTA, GIULIETTA,75,90,155,16	6.00 EUR
6	SAT091012	OE 60503033, RUBBER/EXHAUST MOUNTING DIVERSE TYPES	4.00 EUR
7	SAT094003	MUFFLER RING FOR VARIOUS MODELS	10.50 EUR
8	SAT091011	OE 60521386, RUBBER RING EXHAUST MOUNTING DIVERSE TYPES	2.50 EUR
9	SAT091124	SILENT BLOC/EXHAUST SUSPENSION 145/6,155	3.90 EUR
10	SAT091041	OE.60586017 RUBBER HANGER EXHAUST 145/6, 155 ESD	4.50 EUR
11	AGKD06636	OE. 60506636 GASKET	5.89 EUR

# Abgasanlage/Exhaust System 155 1.9 TD

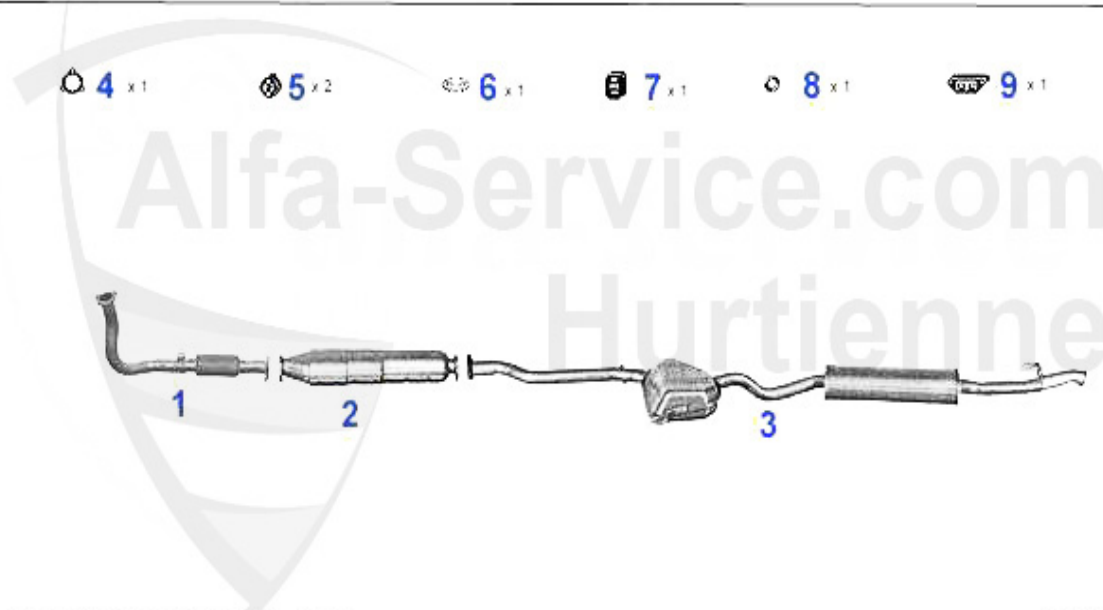


155 1.9 TURBO DIESEL

'93-'97

1	VSD445201	FRONT MUFFLER 145/6 1.9 TD 94-96 155 1.9 TD	118.41 EUR
2	MSD254303	CENTER MUFFLER 145/6 1.9 TD 94-96 155 1.9 TD	Preis auf Anfrage
3	ESD445209	REAR SILENCER 155 1.9 TD	Preis auf Anfrage
4	SAT094477	GASKET FRONT SILENCER 145/6,155 TD	6.26 EUR
5	SAT091069	Gummi/Auspuffaufhängung Kat 155	3.28 EUR
6	SAT091124	SILENT BLOC/EXHAUST SUSPENSION 145/6,155	3.90 EUR
7	SAT091011	OE 60521386, RUBBER RING EXHAUST MOUNTING DIVERSE TYPES	2.50 EUR
8	SAT091041	OE.60586017 RUBBER HANGER EXHAUST 145/6, 155 ESD	4.50 EUR

## Abgasanlage/Exhaust System 155 1.9 TD Kat.

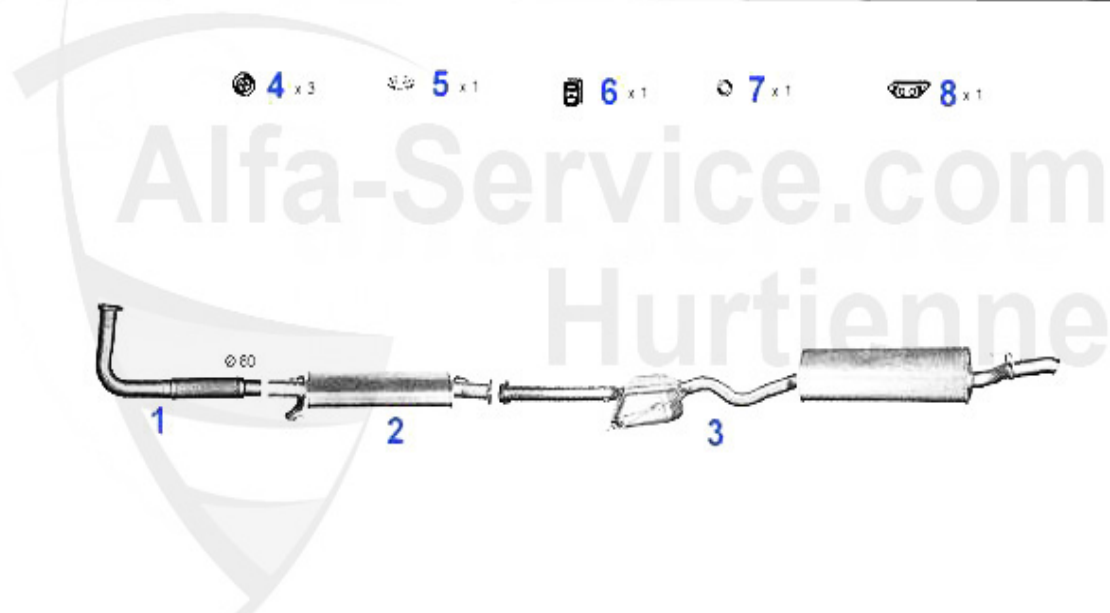


155 1.9 TURBO DIESEL KAT.

'93-'97

1	VSD254901	Vorschalldämpfer 145/6 1.9 TD kat bj. 94> 155 1.9 TD ka	208.85 EUR
3	ESD116309	REAR SILENCER 155 1.9 TD KAT	299.00 EUR
4	SAT094477	GASKET FRONT SILENCER 145/6,155 TD	6.26 EUR
5	SAT091119	Gummi/Auspuffaufhängung 145/6 TD mit Kat	6.06 EUR
6	SAT094002	Brennring Kat Diverse Modelle	8.90 EUR
7	SAT091124	SILENT BLOC/EXHAUST SUSPENSION 145/6,155	3.90 EUR
8	SAT091011	OE 60521386, RUBBER RING EXHAUST MOUNTING DIVERSE TYPES	2.50 EUR
9	SAT091041	OE.60586017 RUBBER HANGER EXHAUST 145/6, 155 ESD	4.50 EUR

# Abgasanlage/Exhaust System 155 2.5 TD



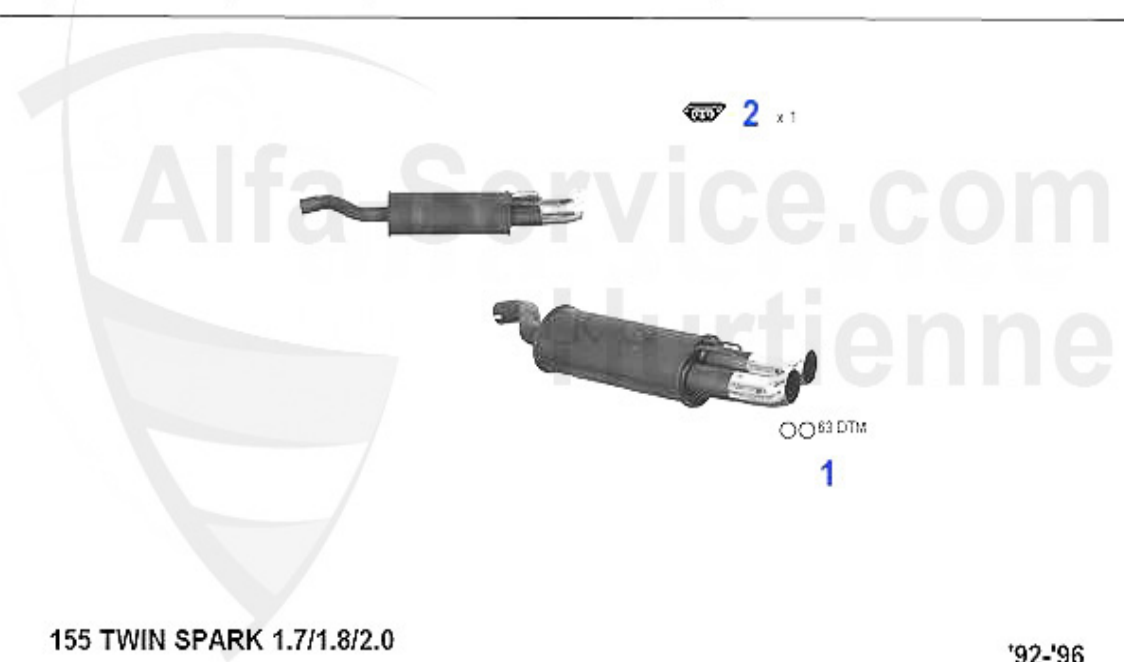
155 2.5 TURBO DIESEL

'93-'97

1	VSD116001	FRONT MUFFLER 155 2.5 TD	154.52 EUR
2	MSD116003	CENTER MUFFLER 155 2.5 TD	165.01 EUR
3	ESD116009	REAR SILENCER 155 2.5 TD	295.00 EUR
4	SAT091012	OE 60503033, RUBBER/EXHAUST MOUNTING DIVERSE TYPES	4.00 EUR
5	SAT094003	MUFFLER RING FOR VARIOUS MODELS	10.50 EUR
6	SAT091124	SILENT BLOC/EXHAUST SUSPENSION 145/6,155	3.90 EUR
7	SAT091011	OE 60521386, RUBBER RING EXHAUST MOUNTING DIVERSE TYPES	2.50 EUR
8	SAT091041	OE.60586017 RUBBER HANGER EXHAUST 145/6, 155 ESD	4.50 EUR

## Sportauspuff/Sport Exhaust System 155 TS 8V

---



1	SNSD1156	SPORT END MUFFLER 155 1.7-2.0 TS YEAR 92-96,155 2.5 V6,	419.00 EUR
2	SAT091041	OE.60586017 RUBBER HANGER EXHAUST 145/6, 155 ESD	4.50 EUR

## Sportauspuff/Sport Exhaust System 155 TS 16V

---

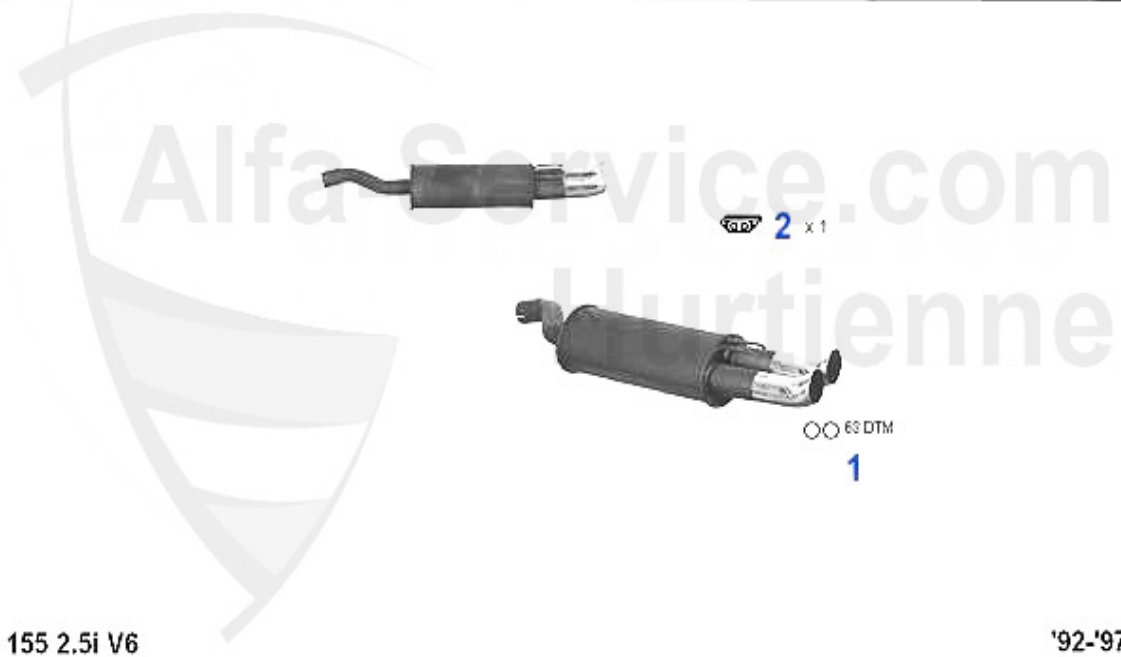


155 16V TWIN SPARK 1.6/1.8/2.0

5/'96-'97

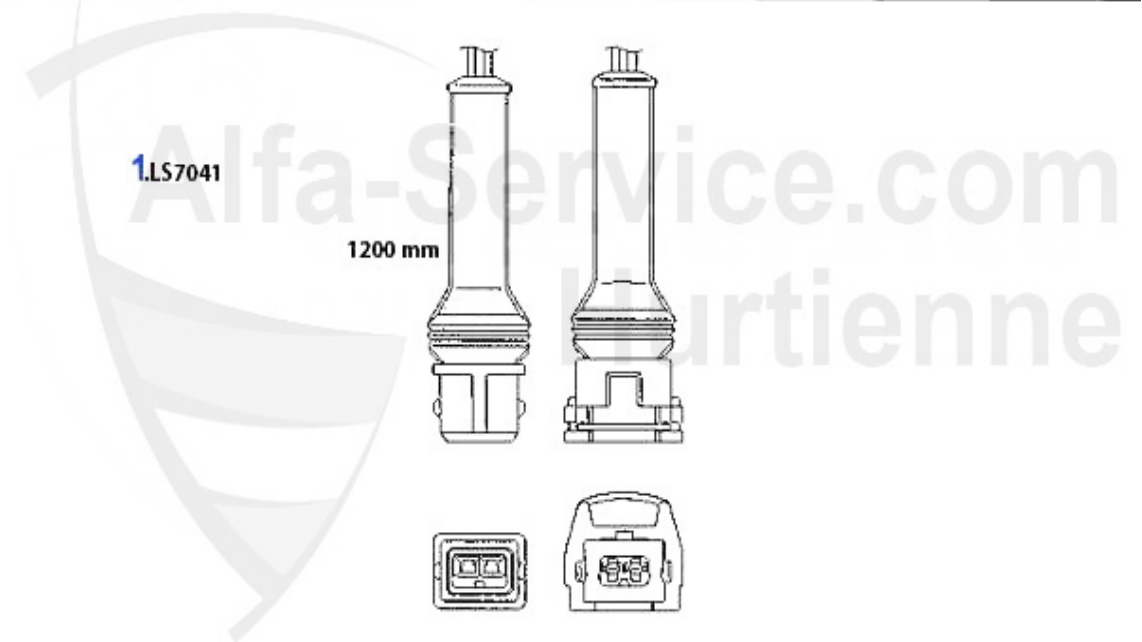
1	SNSD1162	Sport-Endtopf 155 1.6-2.0 16V TS Bj. 96-97 Endrohre 2 x	548.99 EUR
2	SAT091041	OE.60586017 RUBBER HANGER EXHAUST 145/6, 155 ESD	4.50 EUR

## Sportauspuff/Sport Exhaust System 155 2.5 V6



1	SNSD1156	SPORT END MUFFLER 155 1.7-2.0 TS YEAR 92-96,155 2.5 V6,	419.00 EUR
2	SAT091041	OE.60586017 RUBBER HANGER EXHAUST 145/6, 155 ESD	4.50 EUR

# Lambda-Sonde/Lambda Probe 155 TS 8V



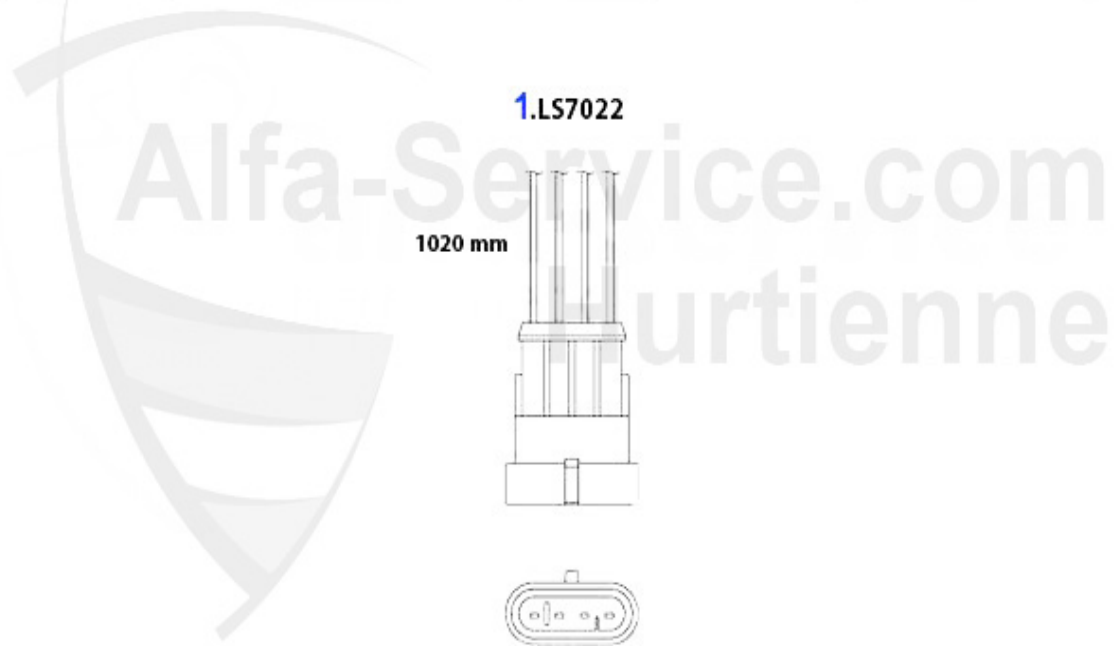
1 LS7041

Lambda-Sonde 155 1.7/1.8/2.0 TS 164 Super 2.0 TS/3.0 V6

80.00 EUR

Lambda-Sonde/Lambda Probe 155 TS 16V Bj. >4.96

---



---

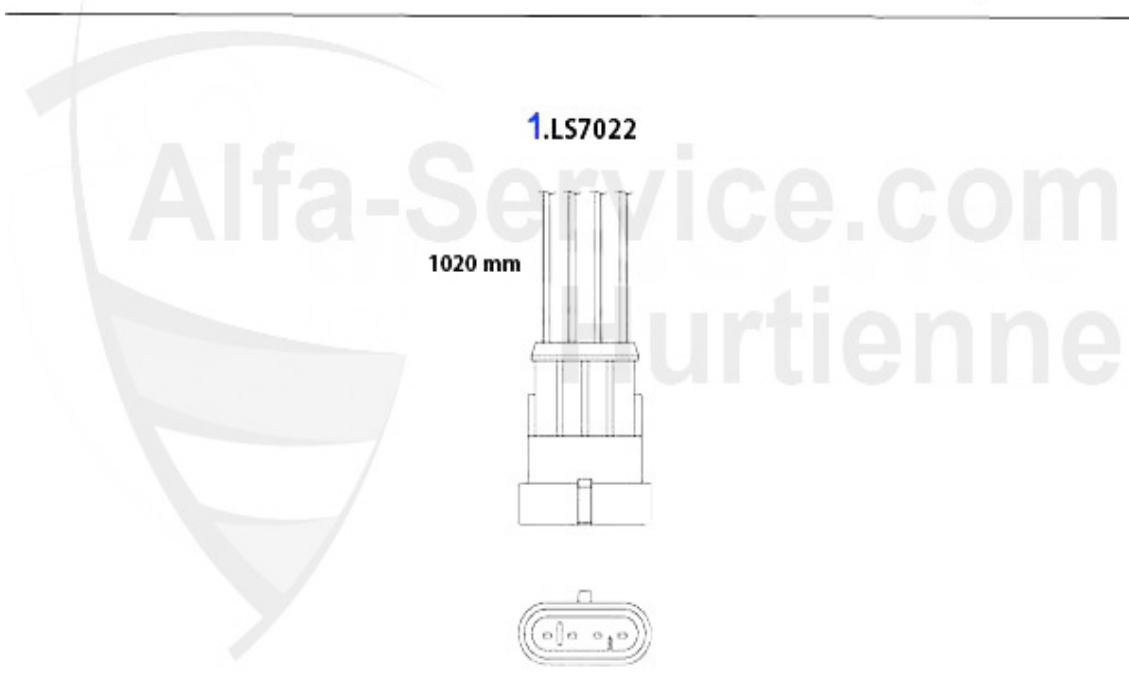
1 LS7022

LAMDA SENSOR 3,0 24V, 164, Spider (916)

85.00 EUR

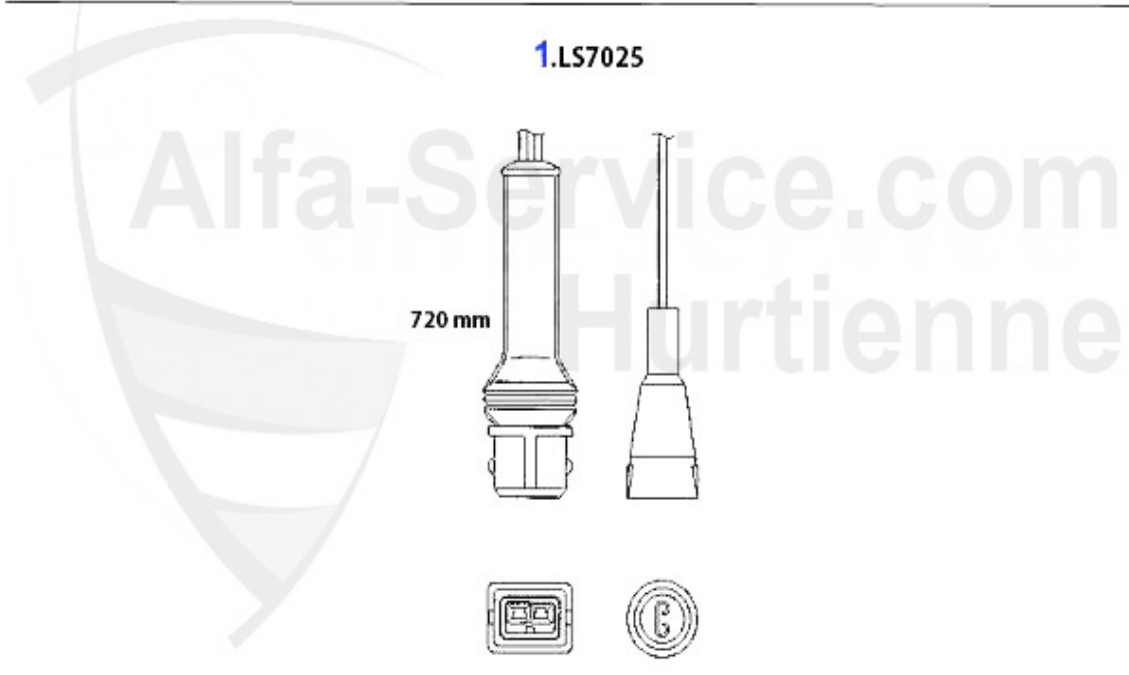
Lambda-Sonde/Lambda Probe 155 TS 16V Bj. 5.96>

---



1	LS7041	Lambda-Sonde 155 1.7/1.8/2.0 TS 164 Super 2.0 TS/3.0 V6	80.00 EUR
1	LS7022	LAMDA SENSOR 3,0 24V, 164, Spider (916)	85.00 EUR

## Lambda-Sonde/Lambda Probe 155 Turbo Q4

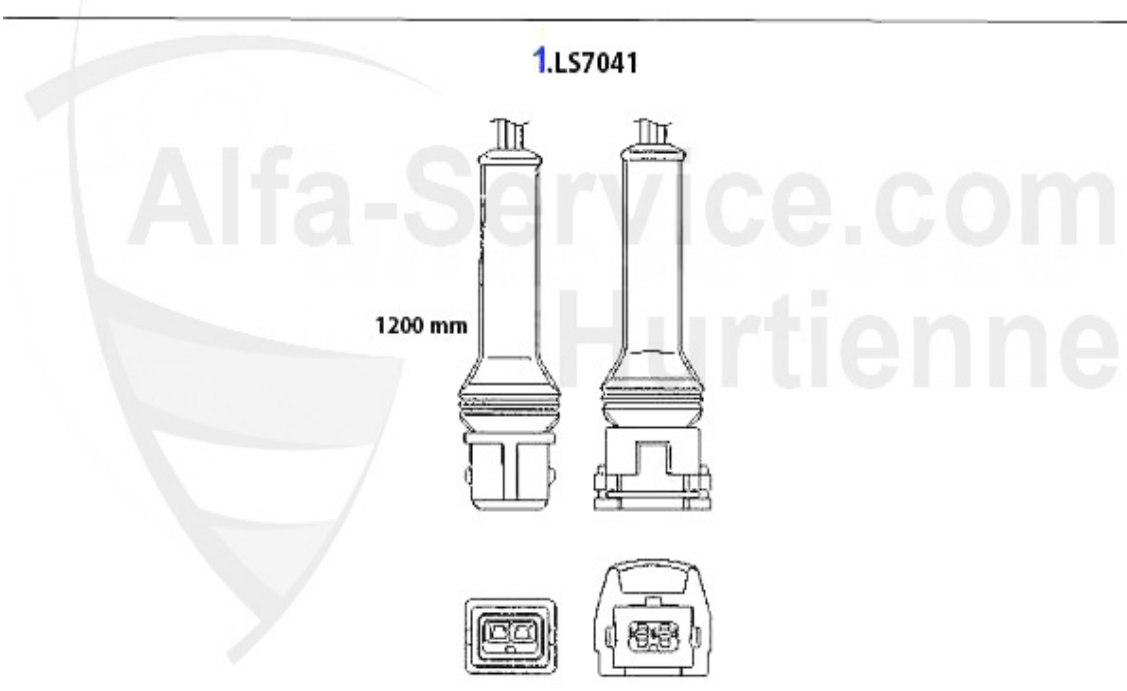


1 LS7025

Lambda-Sonde 155 2.0 Turbo/2.5 TD 3-adrig

77.99 EUR

# Lambda-Sonde/Lambda Probe 155 2.5 V6

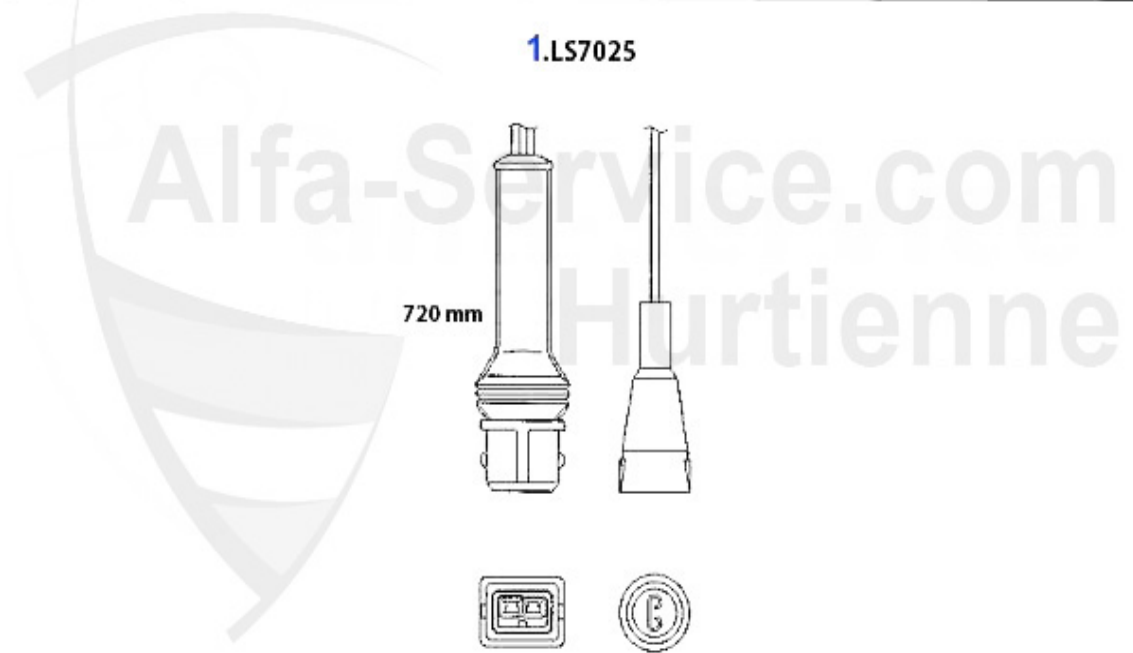


1 LS7039

Lambda-Sonde 155 2.5 V6,164 Super 3.0 V6 24V QV, 4-adri

85.00 EUR

# Lambda-Sonde/Lambda Probe 155 2.5 TD

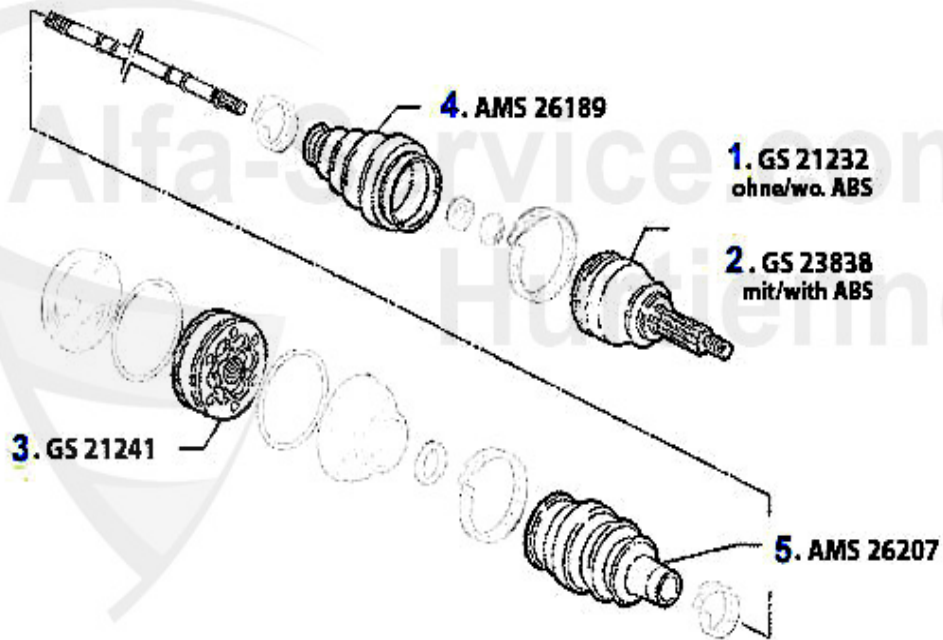


1 LS7025

Lambda-Sonde 155 2.0 Turbo/2.5 TD 3-adrig

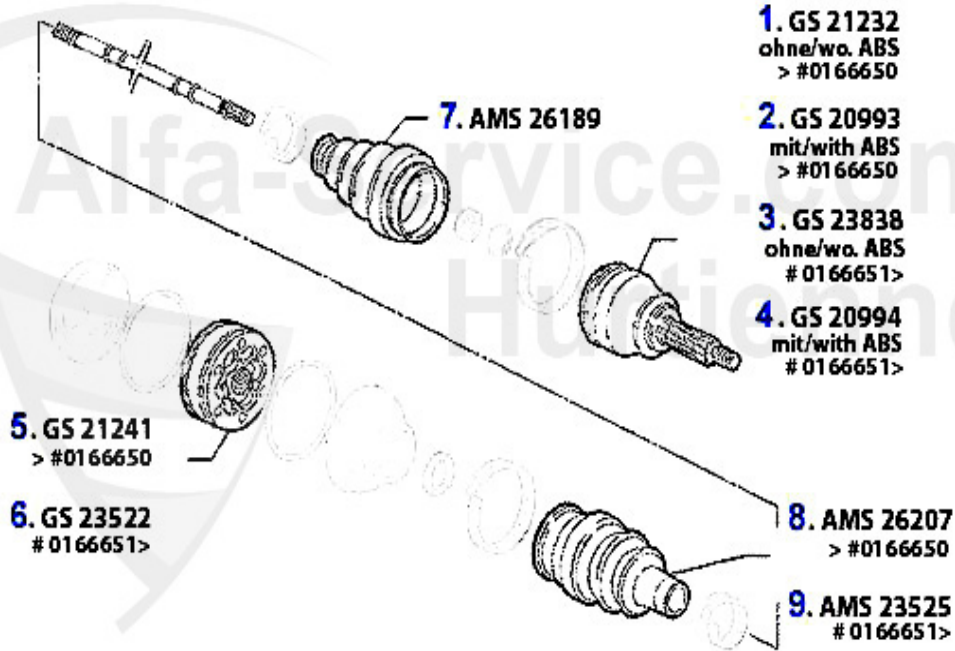
77.99 EUR

# Antriebswelle/Driveshaft 155 TS 8V >1996



1	GS21232	EXTERIOR HINGE 145/6, 155 1.4/1.6/1.7/ ie/16V/TS WITHOUT	117.71 EUR
2	GS23838	EXTERIOR HINGE 145/6, 155, GTV/SPIDER (916) 2.0 16V TS	163.11 EUR
3	GS21241	Inner drive shaft joint gtv/spider (916),155,145/6 TS 1	111.72 EUR
4	AMS26189	PROSHAFT RUBBER BOOT GTV / SPIDER 2.0TS 145/6 1.4 ie/TS	13.44 EUR
5	AMS26207	Inner RUBBERBOOT GTV/SPIDER 145, 155, 166	25.00 EUR

## Antriebswelle/Driveshaft 155 2.0 TS 16V Bj. >4.96



**1. GS 21232**  
ohne/wo. ABS  
> #0166650

**2. GS 20993**  
mit/with ABS  
> #0166650

**3. GS 23838**  
ohne/wo. ABS  
# 0166651>

**4. GS 20994**  
mit/with ABS  
# 0166651>

**5. GS 21241**  
> #0166650

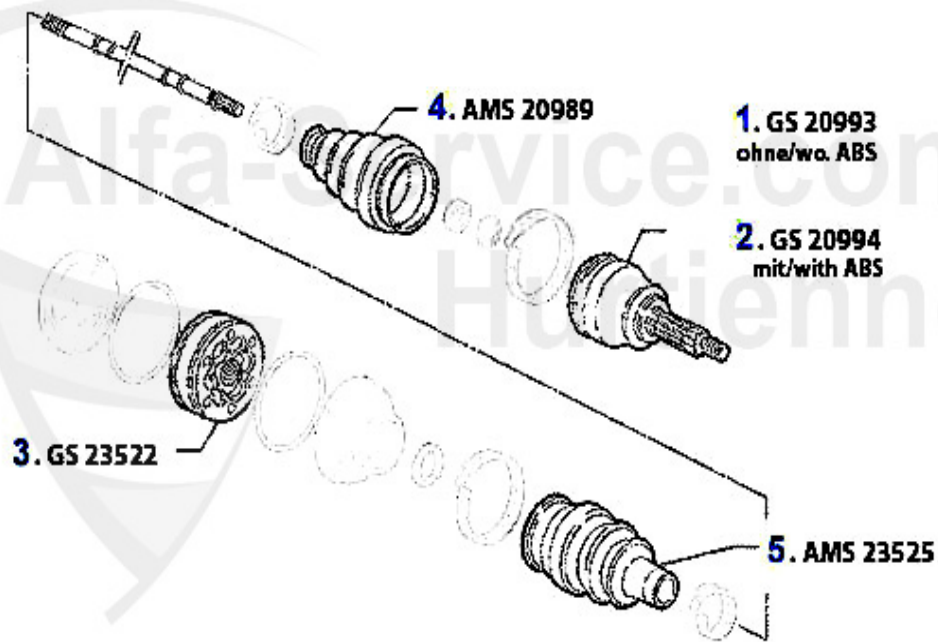
**6. GS 23522**  
# 0166651>

**8. AMS 26207**  
> #0166650

**9. AMS 23525**  
# 0166651>

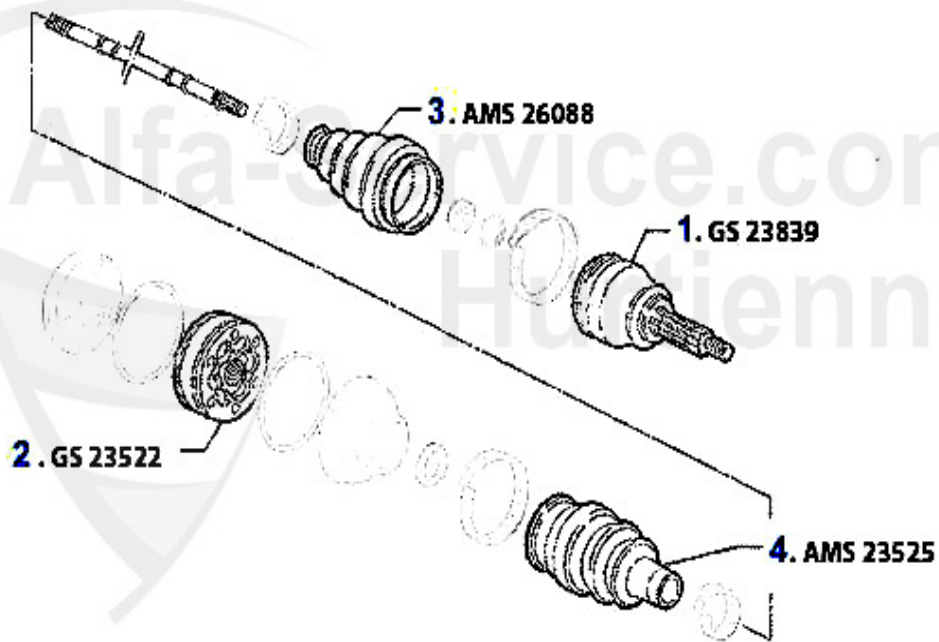
<b>1</b>	<b>GS21232</b>	<b>EXTERIOR HINGE 145/6, 155 1.4/1.6/1.7/ ie/16V/TS WITHOU</b>	<b>117.71 EUR</b>
<b>2</b>	<b>GS20993</b>	<b>Gelenksatz außen 145/6 TS/TD/JTD Bj. 96&gt; ohne ABS, 155</b>	<b>117.98 EUR</b>
<b>3</b>	<b>GS23838</b>	<b>EXTERIOR HINGE 145/6, 155, GTV/SPIDER (916) 2.0 16V TS</b>	<b>163.11 EUR</b>
<b>4</b>	<b>GS20994</b>	<b>Gelenksatz außen 145/6 TS/TD/JTD Bj. 96&gt; mit ABS,155 2.</b>	<b>122.08 EUR</b>
<b>5</b>	<b>GS21241</b>	<b>Inner drive shaft joint gtv/spider (916),155,145/6 TS 1</b>	<b>111.72 EUR</b>
<b>6</b>	<b>GS23522</b>	<b>Gelenksatz innen 155,164 diverse</b>	<b>101.55 EUR</b>
<b>7</b>	<b>AMS26189</b>	<b>PROSHAFT RUBBER BOOT GTV / SPIDER 2.0TS 145/6 1.4 ie/TS</b>	<b>13.44 EUR</b>
<b>8</b>	<b>AMS26207</b>	<b>Inner RUBBERBOOT GTV/SPIDER 145, 155, 166</b>	<b>25.00 EUR</b>
<b>9</b>	<b>AMS23525</b>	<b>Achsmanschettensatz innen 155 1,7/ 1.8/2.0/TS 16V,2.5 V</b>	<b>25.55 EUR</b>

## Antriebswelle/Driveshaft 155 TS 16V Bj. 96>



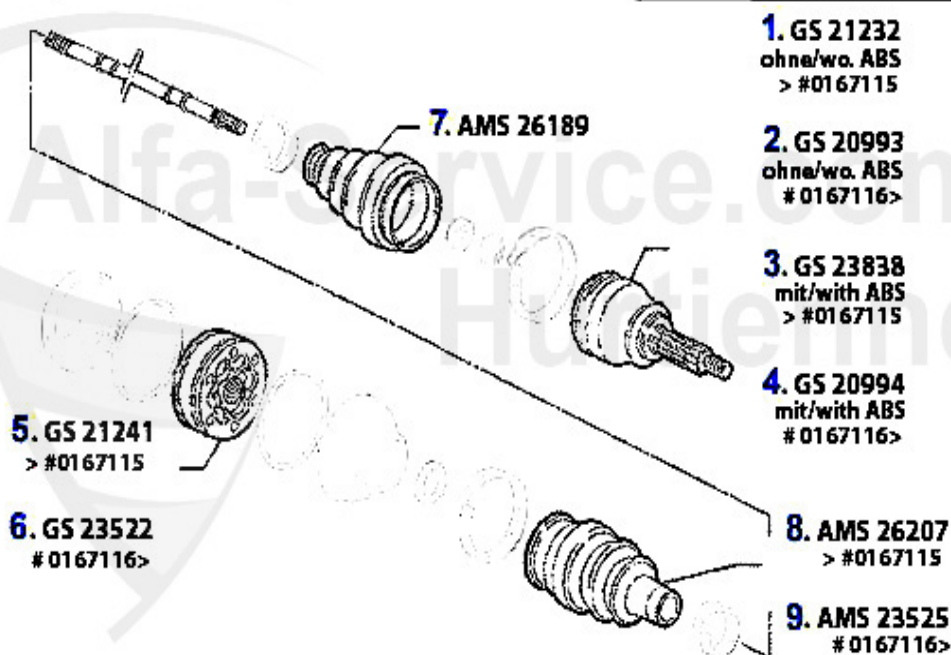
<b>1</b>	<b>GS20993</b>	Gelenksatz außen 145/6 TS/TD/JDT Bj. 96> ohne ABS, 155	<b>117.98 EUR</b>
<b>2</b>	<b>GS20994</b>	Gelenksatz außen 145/6 TS/TD/JTD Bj. 96> mit ABS,155 2.	<b>122.08 EUR</b>
<b>3</b>	<b>GS23522</b>	Gelenksatz innen 155,164 diverse	<b>101.55 EUR</b>
<b>4</b>	<b>AMS20989</b>	OE.46429633, outer joint gaiter 145/6 147, 156, 166	<b>17.90 EUR</b>
<b>5</b>	<b>AMS23525</b>	Achsmanschettensatz innen 155 1,7/ 1.8/2.0/TS 16V,2.5 V	<b>25.55 EUR</b>

## Antriebswelle/Driveshaft 155 2.5 V6



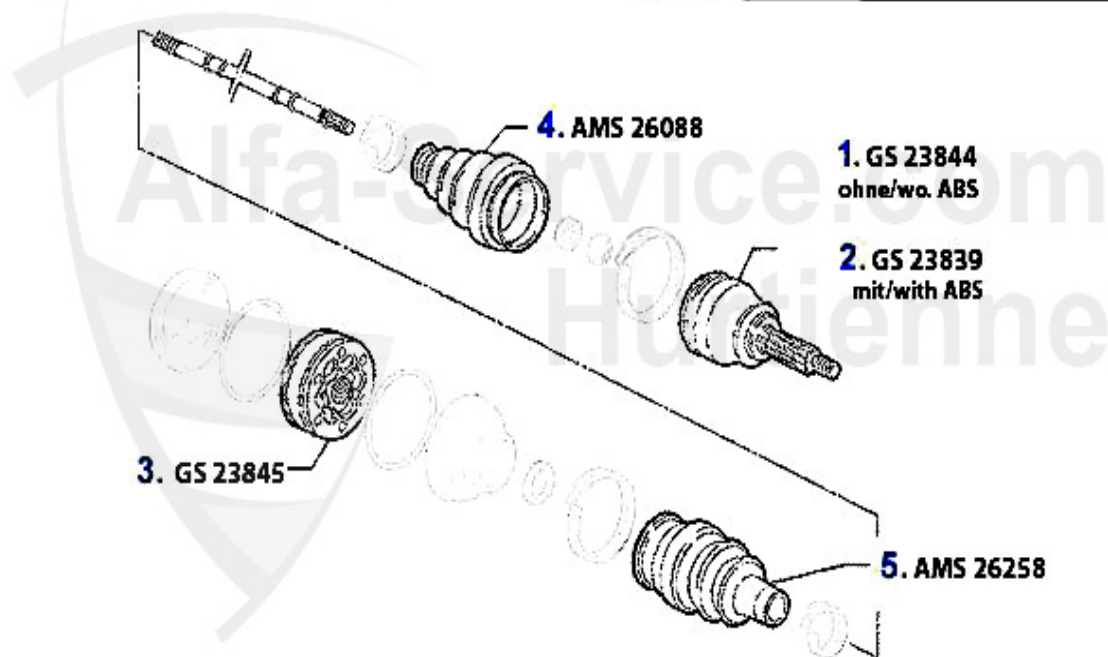
1	GS23839	Gelenksatz außen 155,gtv/spider (916) diverse mit ABS	169.27 EUR
2	GS23522	Gelenksatz innen 155,164 diverse	101.55 EUR
3	AMS26088	OE. 60556609 Boot Set Wheel Side	15.01 EUR
4	AMS23525	Achsmanschettensatz innen 155 1,7/ 1.8/2.0/TS 16V,2.5 V	25.55 EUR

## Antriebswelle/Driveshaft 155 1.9 TD



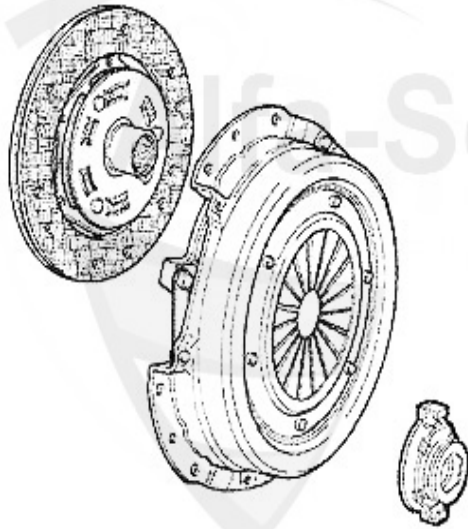
1	GS21232	EXTERIOR HINGE 145/6, 155 1.4/1.6/1.7/ ie/16V/TS WITHOU	117.71 EUR
2	GS20993	Gelenksatz außen 145/6 TS/TD/JTD Bj. 96> ohne ABS, 155	117.98 EUR
3	GS23838	EXTERIOR HINGE 145/6, 155, GTV/SPIDER (916) 2.0 16V TS	163.11 EUR
4	GS20994	Gelenksatz außen 145/6 TS/TD/JTD Bj. 96> mit ABS,155 2.	122.08 EUR
5	GS21241	Inner drive shaft joint gtv/spider (916),155,145/6 TS 1	111.72 EUR
6	GS23522	Gelenksatz innen 155,164 diverse	101.55 EUR
7	AMS26189	PROSHAFT RUBBER BOOT GTV / SPIDER 2.0TS 145/6 1.4 ie/TS	13.44 EUR
8	AMS26207	Inner RUBBERBOOT GTV/SPIDER 145, 155, 166	25.00 EUR
9	AMS23525	Achsmanschettensatz innen 155 1,7/ 1.8/2.0/TS 16V,2.5 V	25.55 EUR

# Antriebswelle/Driveshaft 155 2.5 TD



1	GS23844	Gelenksatz au	152.34 EUR
2	GS23839	Gelenksatz außen 155,gtv/spider (916) diverse mit ABS	169.27 EUR
4	AMS26088	OE. 60556609 Boot Set Wheel Side	15.01 EUR
5	AMS26258	INTERIOR AXLE BOOT 155 2.0TB,2.5TD (107-22mm) SPIDER 91	15.51 EUR

# Kupplungs-Kit/Clutch Set 155 TS 8V



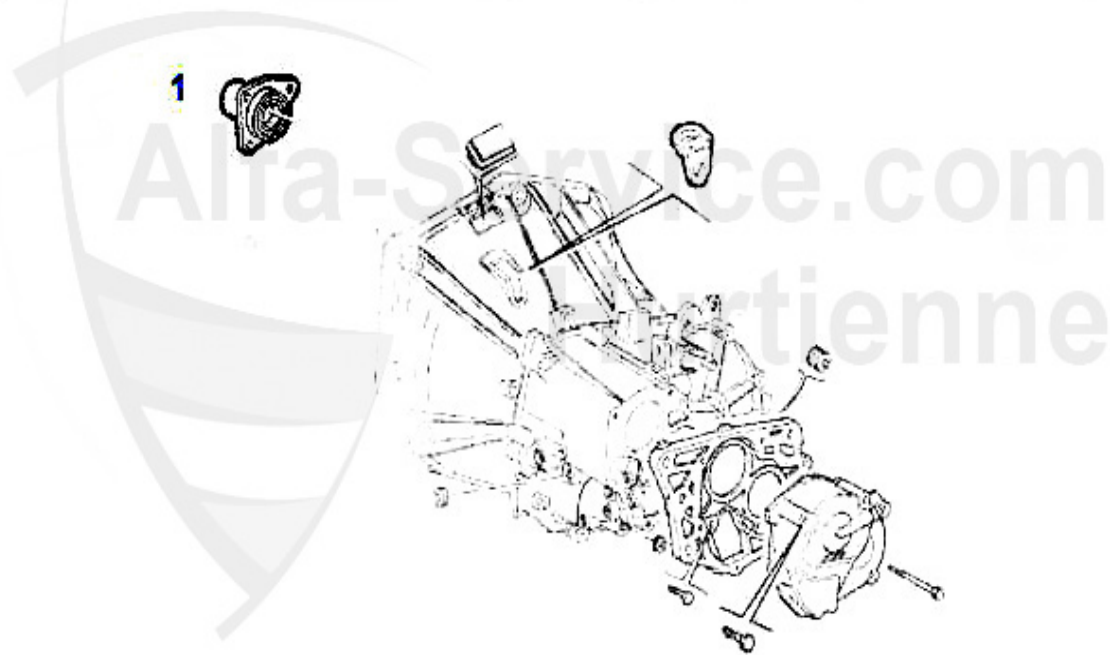
1. KK 576001  
Ø 215 mm  
1.7/1.8/2.0 TS 8V

1 KK576001

CLUTCH SET 145/6 1.4/1.6/1.8 TS,GTV/ Spider (916)/155 1

207.00 EUR

## Ausrücker/Sleeve Bearing 155 TS 8V



1 FH1140

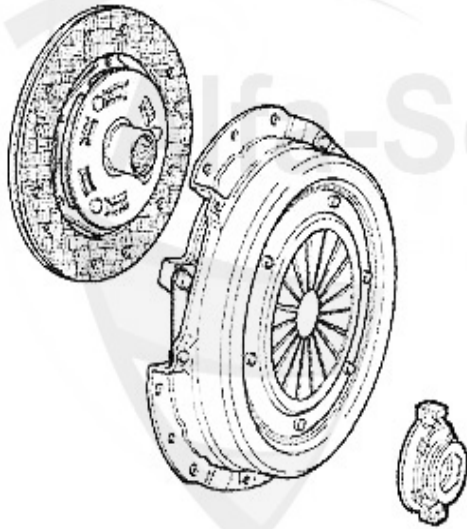
Schiebehülse für Ausrücker 145/6, 147,155,156,gtv/spide

49.00 EUR

155 > DRIVETRAIN > CLUTCH > CLUTCH SET TS 16V >4.1996

## Kupplungs-Kit/Clutch Set 155 2.0 TS 16V Bj. >96

---



1. KK 789001  
Ø 230 mm

---

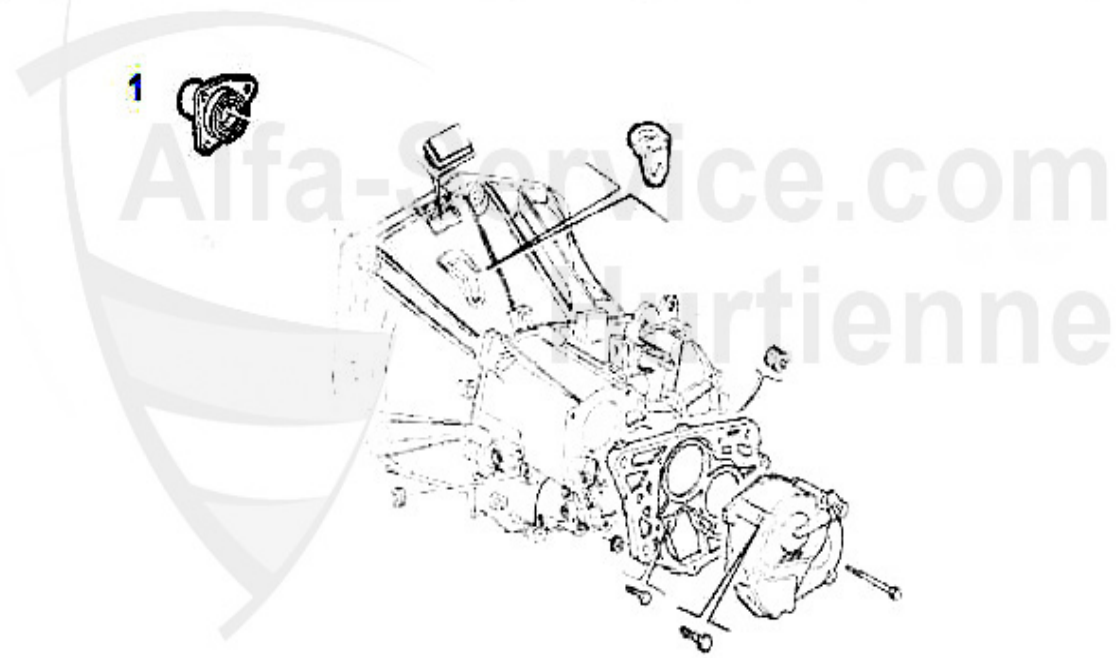
1 KK789001

OE. 71734766 CLUTCH KIT 2.0 TS 16V 230 mm

289.00 EUR

## Ausrücker/Sleeve Bearing 155 2.0 TS 16V Bj. >96

---

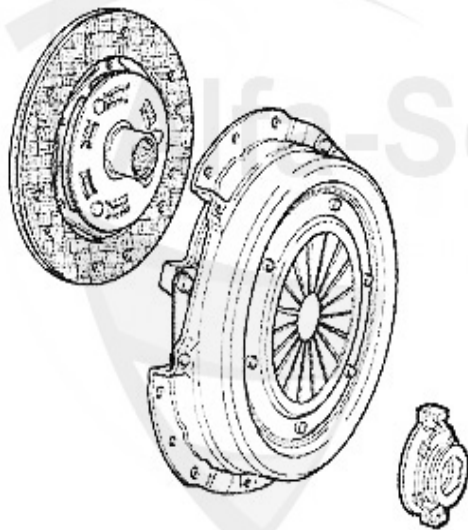


1 FH1140

Schiebehülse für Ausrücker 145/6, 147,155,156,gtv/spide

49.00 EUR

## Kupplungs-Kit/Clutch Set 155 TS 16V Bj. 96>



1. KK 576001

Ø 215 mm

1.6/1.8 16V

2. KK 789001

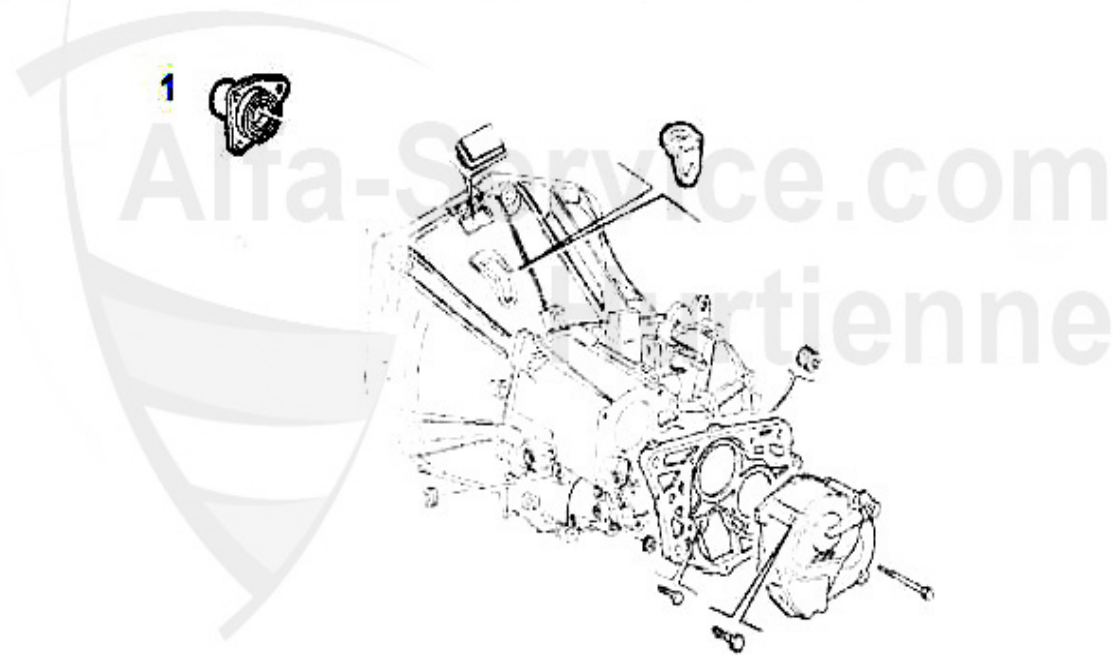
Ø 230 mm

2.0 TS 16V

1	KK576001	CLUTCH SET 145/6 1.4/1.6/1.8 TS,GTV/ Spider (916)/155 1	207.00 EUR
2	KK789001	OE. 71734766 CLUTCH KIT 2.0 TS 16V 230 mm	289.00 EUR

## Ausrücker/Sleeve Bearing 155 TS 16V Bj. 96>

---

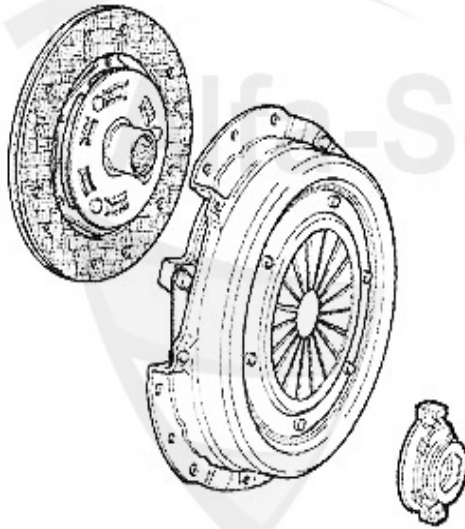


1 FH1140

Schiebehülse für Ausrücker 145/6, 147,155,156,gtv/spide

49.00 EUR

# Kupplungs-Kit/Clutch Set 155 Turbo Q4



1. KK 72900

Ø 235 mm

Bj. >3.92

2. KK 727001

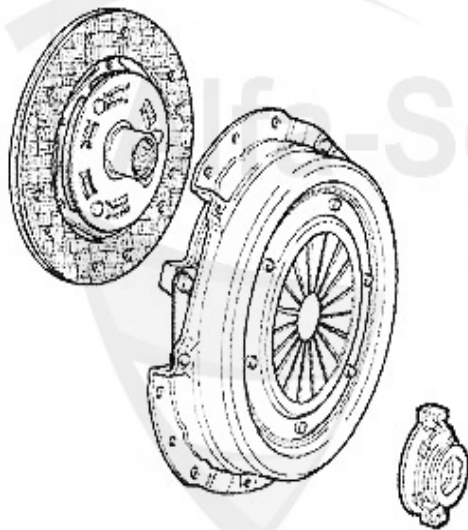
Ø 235 mm

Bj. 4.92>

1	KK729001	CLUTCH SET 155,164 V6 TURBO,164 3.0 IE QV >09.92	399.00 EUR
2	KK727001	CLUTCH-KIT 717 34 944/607 78 039/5896173	389.00 EUR

# Kupplungs-Kit/Clutch Set 155 2.5 V6

---



1. KK 835301

Ø 235 mm

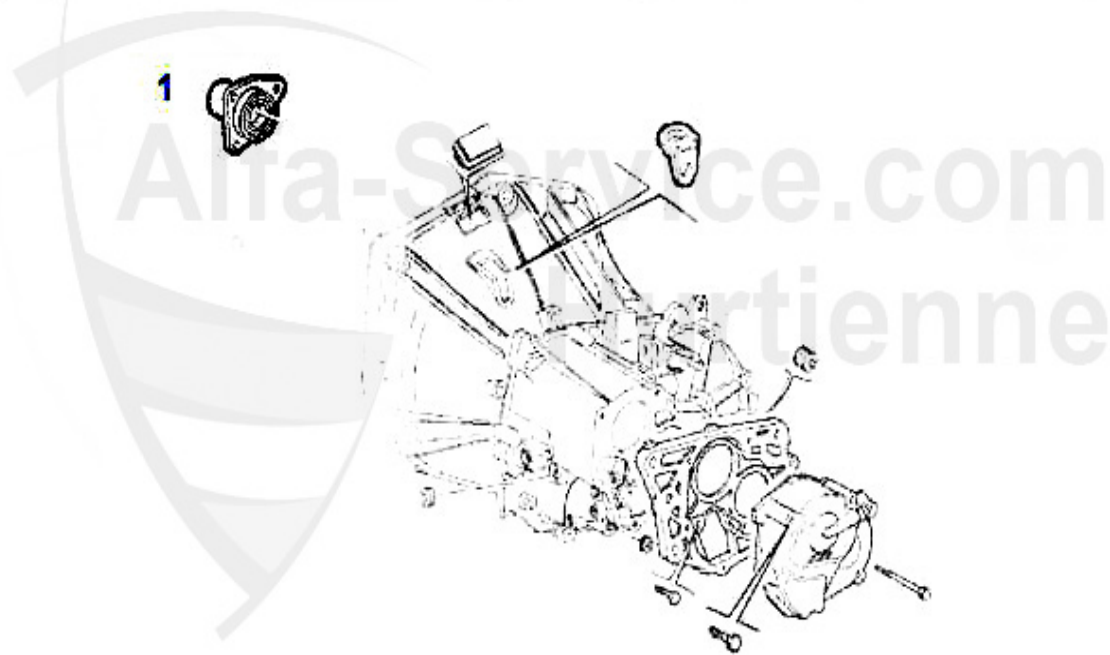
---

1 KK835301

OE. 60777605 CLUTCH KIT 155 2.5 V6 235 mm

355.00 EUR

## Ausrücker/Sleeve Bearing 155 2.5 V6



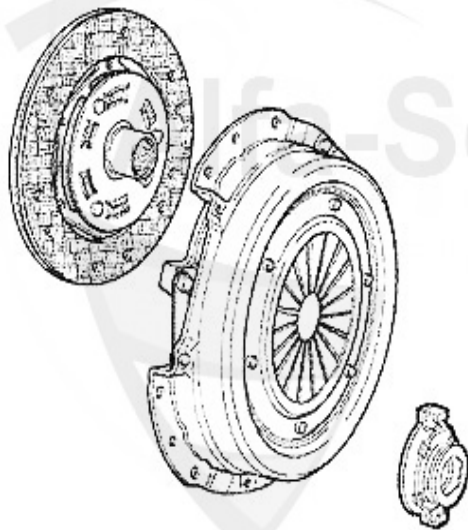
**1** FH11951

**GUIDE BUSH FOR CLUTCH RELEASE BEARING 3 HOLES 145/6,147**

**79.00 EUR**

# Kupplungs-Kit/Clutch Set 155 1.9 TD

---



1. KK 345001

Ø 215 mm

---

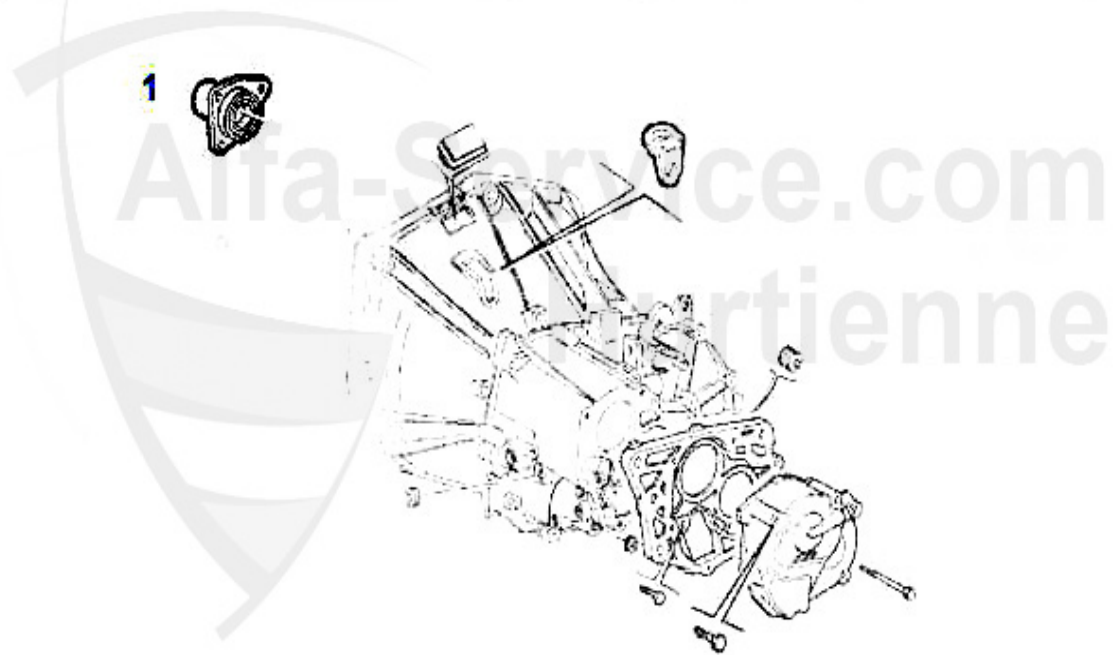
1 KK345001

CLUTCH SET 145/6,155 1.9 TD 93-99

189.78 EUR

## Ausrücker/Sleeve Bearing 155 1.9 TD

---



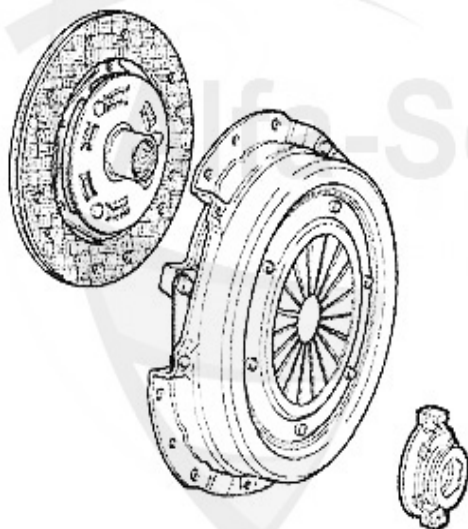
1 FH1140

Schiebehülse für Ausrücker 145/6, 147,155,156,gtv/spide

49.00 EUR

# Kupplungs-Kit/Clutch Set 155 2.5 TD

---



1. KK 727001

Ø 235 mm

---

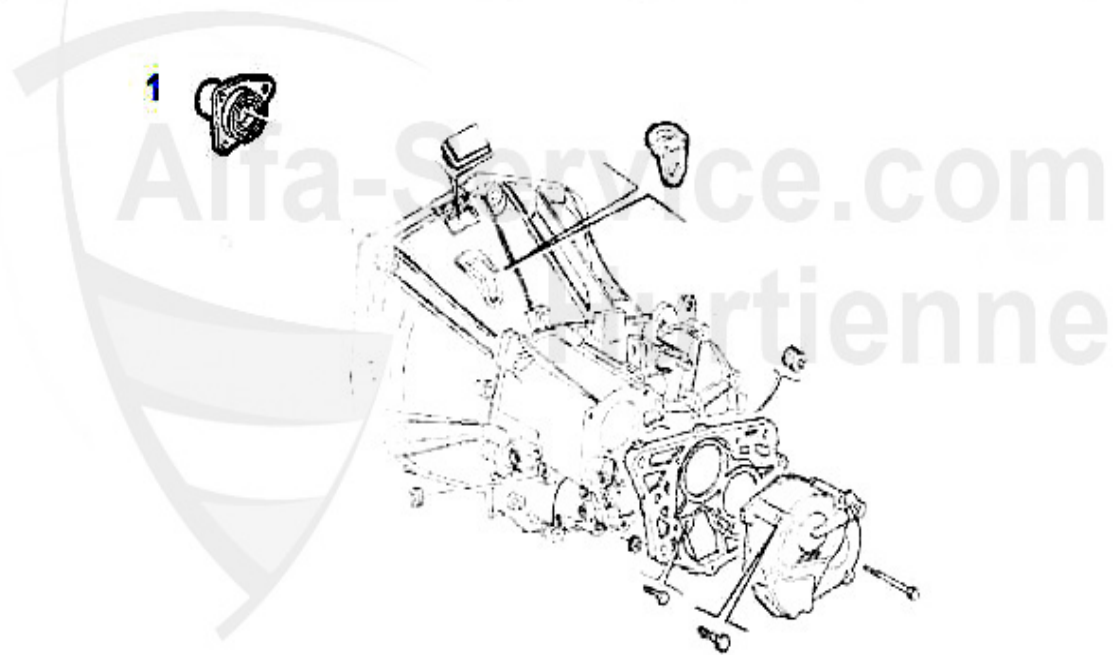
1 KK727001

CLUTCH-KIT 717 34 944/607 78 039/5896173

389.00 EUR

## Ausrücker/Sleeve Bearing 155 2.5 TD

---



1 FH11951

GUIDE BUSH FOR CLUTCH RELEASE BEARING 3 HOLES 145/6,147

79.00 EUR

## 155 > DRIVETRAIN > CLUTCH ACTUATION > TS 8V

### Kupplungsbetätigung/Clutch Actuation 155 1.7/1.8/2.0 TS 8V



1	KGZ027	OE.60814827,CLUTCH MASTER CYLINDER 145/6,155,GTV/SPIDER	74.99 EUR
2	KNZ047	CLUTCH SLAVE CYLINDER 155 1.7/1.8/2.0 TS 92> > #006703	55.00 EUR
3	KNZ024	OE.71739541 CLUTCH SLAVE CYL.145/6 155,0075933>,GTV/SPI	59.50 EUR

Kupplungsbetätigung/Clutch Actuation 155 2.0 TS 16V Bj. >96



1	KGZ027	OE.60814827,CLUTCH MASTER CYLINDER 145/6,155,GTV/SPIDER	74.99 EUR
2	KNZ047	CLUTCH SLAVE CYLINDER 155 1.7/1.8/2.0 TS 92> > #006703	55.00 EUR
3	KNZ024	OE.71739541 CLUTCH SLAVE CYL.145/6 155,0075933>,GTV/SPI	59.50 EUR



1	KGZ027	OE.60814827,CLUTCH MASTER CYLINDER 145/6,155,GTV/SPIDER	74.99 EUR
2	KNZ024	OE.71739541 CLUTCH SLAVE CYL.145/6 155,0075933>,GTV/SPI	59.50 EUR

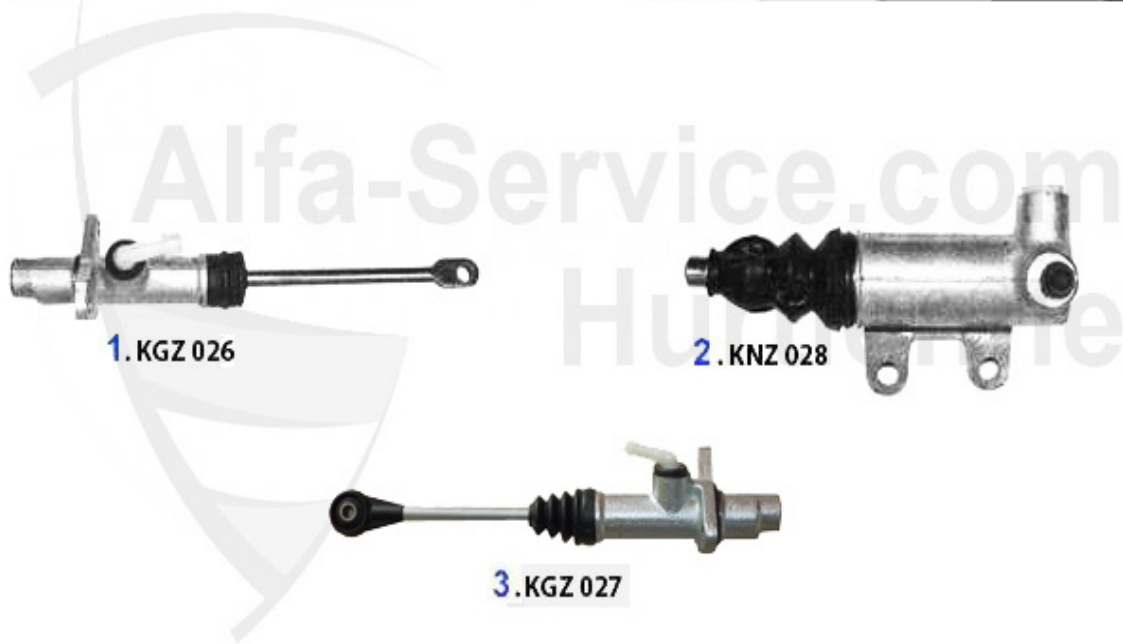
Kupplungsbetätigung/Clutch Actuation 155 Turbo Q4

---



1	KGZ027	OE.60814827,CLUTCH MASTER CYLINDER 145/6,155,GTV/SPIDER	74.99 EUR
2	KNZ028	OE. 60801577 CLUTCH SLAVE CYLINDER	55.00 EUR

## Kupplungsbetätigung/Clutch Actuation 155 2.5 V6



1	KGZ026	CLUTCH MASTER CYLINDER 155 2.5 V6	69.00 EUR
2	KNZ028	OE. 60801577 CLUTCH SLAVE CYLINDER	55.00 EUR
3	KGZ027	OE.60814827,CLUTCH MASTER CYLINDER 145/6,155,GTV/SPIDER	74.99 EUR

## Kupplungsbetätigung/Clutch Actuation 155 1.9 TD

---



1	KGZ027	OE.60814827,CLUTCH MASTER CYLINDER 145/6,155,GTV/SPIDER	74.99 EUR
2	KNZ024	OE.71739541 CLUTCH SLAVE CYL.145/6 155,0075933>,GTV/SPI	59.50 EUR

## Kupplungsbetätigung/Clutch Actuation 155 2.5 TD

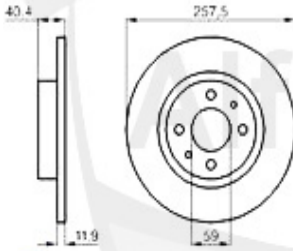
---



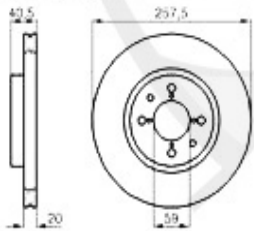
1	KGZ027	OE.60814827,CLUTCH MASTER CYLINDER 145/6,155,GTV/SPIDER	74.99 EUR
2	KNZ028	OE. 60801577 CLUTCH SLAVE CYLINDER	55.00 EUR

# Bremsscheiben/Brakedisks 155

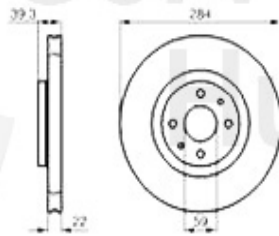
**1. BS 516811**  
1.9 TD  
vorne/front



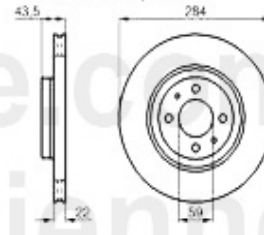
**2. BS 519251**  
1.6/1.7/1.8 TS 8/16V, 2.0 TS 8V  
vorne/front  
belüftet/ventil.



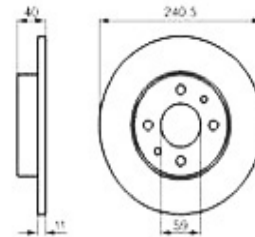
**3. BS 541251**  
2.0 TS 16V  
vorne/front  
belüftet/ventil.



**4. BS 541951**  
Q4,V6,2.5 TD  
vorne/front  
belüftet/ventil.

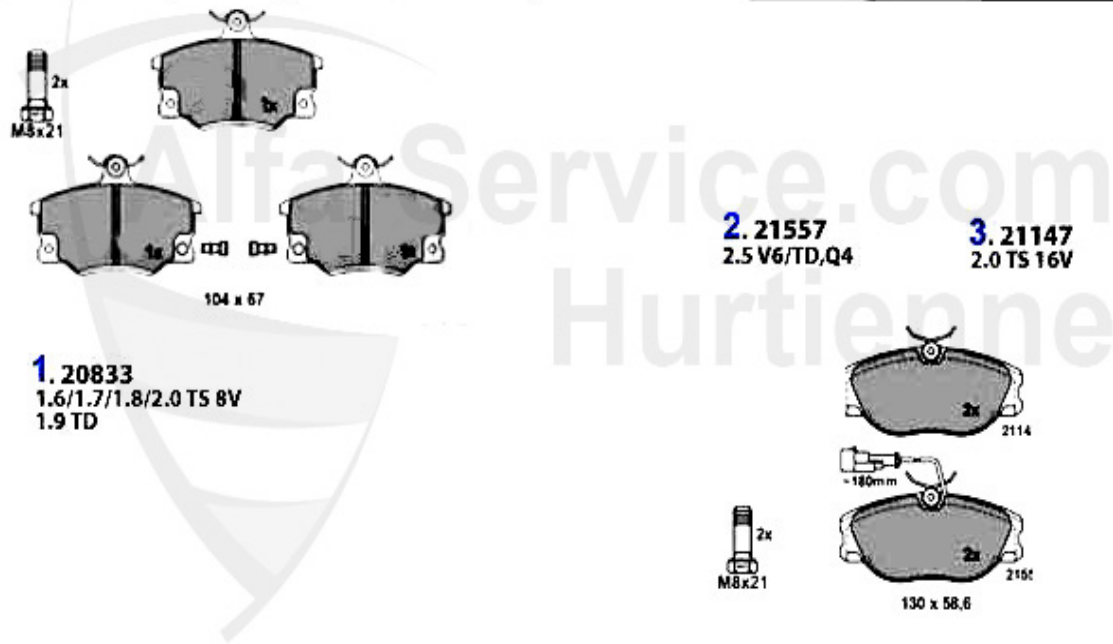


**5. BS 516711**  
hinten/rear



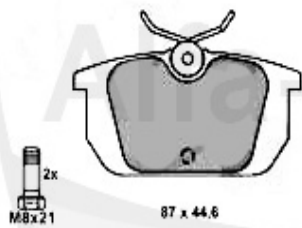
<b>1</b>	<b>BS516811</b>	<b>FRONT BRAKE DISK 145/6 1.4/1.6 IE YEAR 94-12.96/1.9 TD</b>	<b>19.90 EUR</b>
<b>3</b>	<b>BS541251</b>	<b>FRONT BRAKE DISK 145/6 1.8/2.0 16V TS/QV 96&gt;</b>	<b>54.00 EUR</b>
<b>4</b>	<b>BS541951</b>	<b>FRONT BRAKE DISK 155 2.0 16V TURBO/2.5/ V6/TD</b>	<b>94.80 EUR</b>
<b>5</b>	<b>BS516711</b>	<b>REAR BRAKE DISK 145/6 1.4/1.8 16V TS 01.97&gt;/2.0 16V TS/</b>	<b>39.00 EUR</b>

# Brembeläge/Brakepads 155 vorne/front



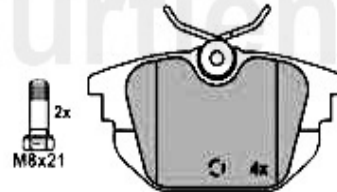
<b>1</b>	<b>20833 171 25</b>	<b>FRONT BRAKE PADS WITH CONTROL UNIT 145/6 1.4/1.6/1.7/1.</b>	<b>49.50 EUR</b>
<b>2</b>	<b>21557 193 25</b>	<b>SBB VA mit WE 155 2.0 16V turbo/2.5 V6/2.5 TD bj. &gt;04.9</b>	<b>92.84 EUR</b>
<b>3</b>	<b>21147 193 25</b>	<b>BRAKE PADS 164 FRONT</b>	<b>87.20 EUR</b>

# Bremsbeläge/Brakepads 155 hinten/rear



**1. 21103**  
Grauguß-Sattel/  
grey iron caliper  
> 1997

87 x 44,6



**2. 23177**  
ALU-Sattel/  
alu caliper  
1997 >

87 x 44,6

<b>1</b>	<b>21103 144 04</b>	<b>SBB HA ohne WE 145/6 1.4/1.6/1.7/ 1.8/2.0/16V/TS/1.9/TD</b>	<b>51.00 EUR</b>
<b>2</b>	<b>23177 144 14</b>	<b>REAR BRAKE PADS WITH CONTROL UNIT 33 (907) 1.7 ie/16V/Q</b>	<b>50.90 EUR</b>

## 155 > BRAKE > CALIPER FRONT PETROL VERSIONS

### Bremszangen/Calipers 155 (Benzin/Petrol) vorne/front



**1. BZ 212381**  
links/left  
1.6/1.7/1.8 TS/16V  
2.0 TS 8V

**2. BZ 212382**  
rechts/right  
1.6/1.7/1.8 TS/16V  
2.0 TS 8V



**3. BZ 50554**  
links/left  
2.0 TS 16V

**4. BZ 50559**  
rechts/right  
2.0 TS 16V



**5. BZ 212361**  
links/left  
Q4/V6

**6. BZ 212362**  
rechts/right  
Q4/V6



<b>1</b>	<b>BZ212381</b>	<b>Bremssattel vl 155 1.6/1.7/1.8/2.0 16V/TS Bremssystem:</b>	<b>48.72 EUR</b>
<b>2</b>	<b>BZ212382</b>	<b>Bremssattel vr 155 1.6/1.7/1.8/2.0 16V/TS Bremssystem:</b>	<b>48.72 EUR</b>
<b>3</b>	<b>BZ50554</b>	<b>OE. 9950554 BRAKE CALIPER FL 155 2.0 TS 16V</b>	<b>108.66 EUR</b>
<b>4</b>	<b>BZ50559</b>	<b>OE. 9950559 BRAKE CALIPER FR 155 2.0 TS 16V</b>	<b>108.66 EUR</b>
<b>5</b>	<b>BZ212361</b>	<b>Bremssattel vl 155 2.0 16V turbo/ 2.5 V6 bj. &gt; 12.94 Br</b>	<b>43.96 EUR</b>
<b>6</b>	<b>BZ212362</b>	<b>Bremssattel vr 155 2.0 16V turbo/ 2.5 V6 bj. &gt;12.94 Bre</b>	<b>43.96 EUR</b>

## Bremszangen/Calipers 155 (Diesel) vorne/front



**1. BZ 2123109**  
links/left  
1.9 TD

**2. BZ 2123110**  
rechts/right  
1.9 TD



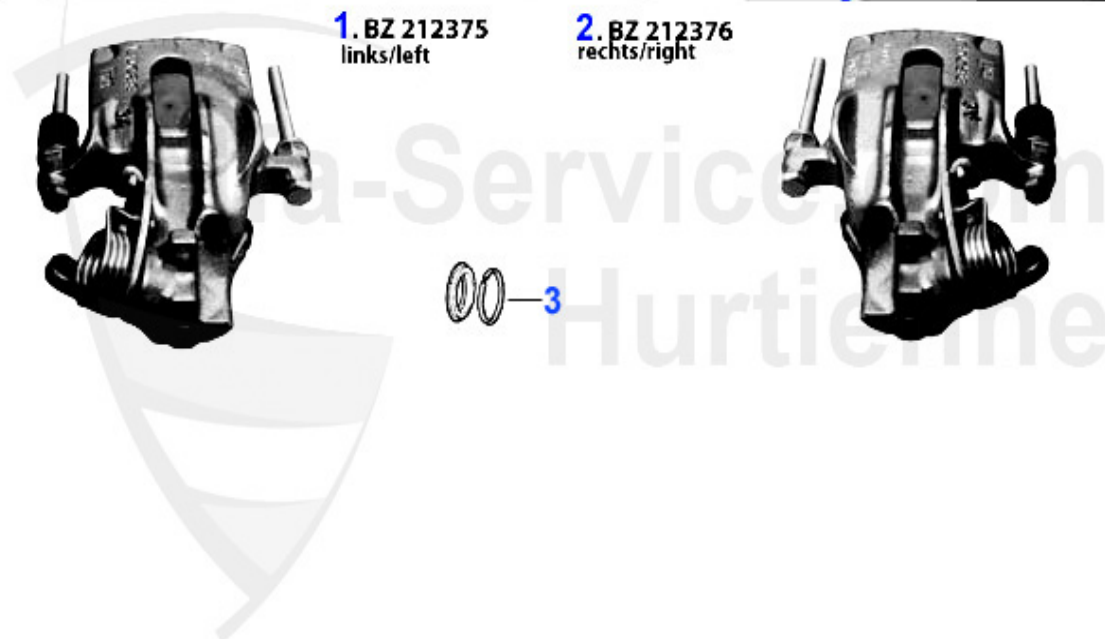
**3. BZ 212361**  
links/left  
2.5 TD

**4. BZ 212362**  
rechts/right  
2.5 TD



<b>1</b>	<b>BZ2123109</b>	Bremssattel vl 145/6 1.4/1.6 ie 1.9 TD bj. 94-96 Bremss	<b>64.96 EUR</b>
<b>2</b>	<b>BZ2123110</b>	Bremssattel vr 145/6 1.4/1.6 ie/ 1.9 TD bj. 94-96 Brems	<b>64.96 EUR</b>
<b>3</b>	<b>BZ212361</b>	Bremssattel vl 155 2.0 16V turbo/ 2.5 V6 bj. > 12.94 Br	<b>43.96 EUR</b>
<b>4</b>	<b>BZ212362</b>	Bremssattel vr 155 2.0 16V turbo/ 2.5 V6 bj. >12.94 Bre	<b>43.96 EUR</b>

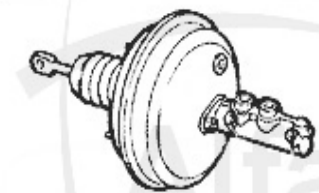
# Bremszangen/Calipers 155 hinten/rear



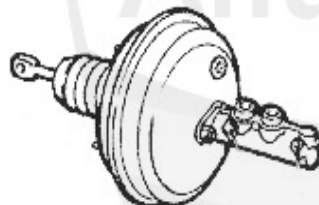
<b>1</b>	<b>BZ212375</b>	brake caliper rear left side 145/6 1.4 1.6/1.7 ie 16V/T	<b>142.60 EUR</b>
<b>2</b>	<b>BZ212376</b>	brake caliper rear right side 145/6 1.4 1.6/1.7 ie 16V/	<b>142.60 EUR</b>
<b>3</b>	<b>RSBS8999003</b>	Reparatursatz Bremssattel hinten 212375/212376 Gummiman	<b>27.00 EUR</b>
<b>3</b>	<b>RSBS4129</b>	REAR BRAKE CALIPER REPAIR KIT LUCAS 145/6 94-99,155 92-	<b>29.90 EUR</b>

## 155 > BRAKE > BRAKE SERVO/BRAKE MASTER CYL.

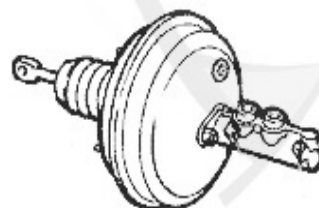
BKV/Hauptbremszylinder/Brakeservo/Brake master cylinder 155



**1. BKV 89820**  
TS > #69451



**2. BKV 71358**  
TS #69452>, 2.5 V6  
2.0 Q4, 2.5 TD



**3. BKV 09922**  
1.9 TD

**4. HBZ 208**



4 HBZ208

BRAKE MASTER CYLINDER 145/6,155,916

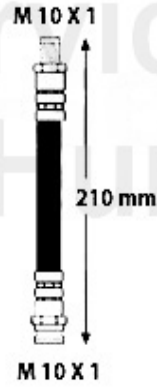
117.98 EUR

# Bremsschlauch/Brake Hose 155

**1. BS 517136**  
vorne/front



**2. BS 516717**  
hinten/rear  
- ABS  
Q4

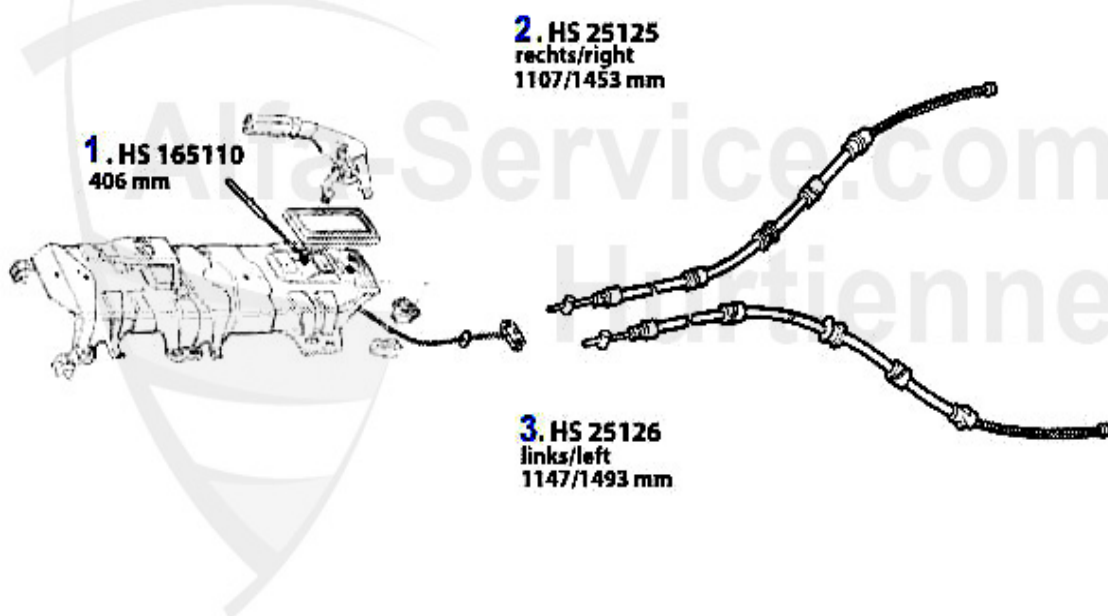


**3. BS 516716**  
hinten/rear  
+ ABS



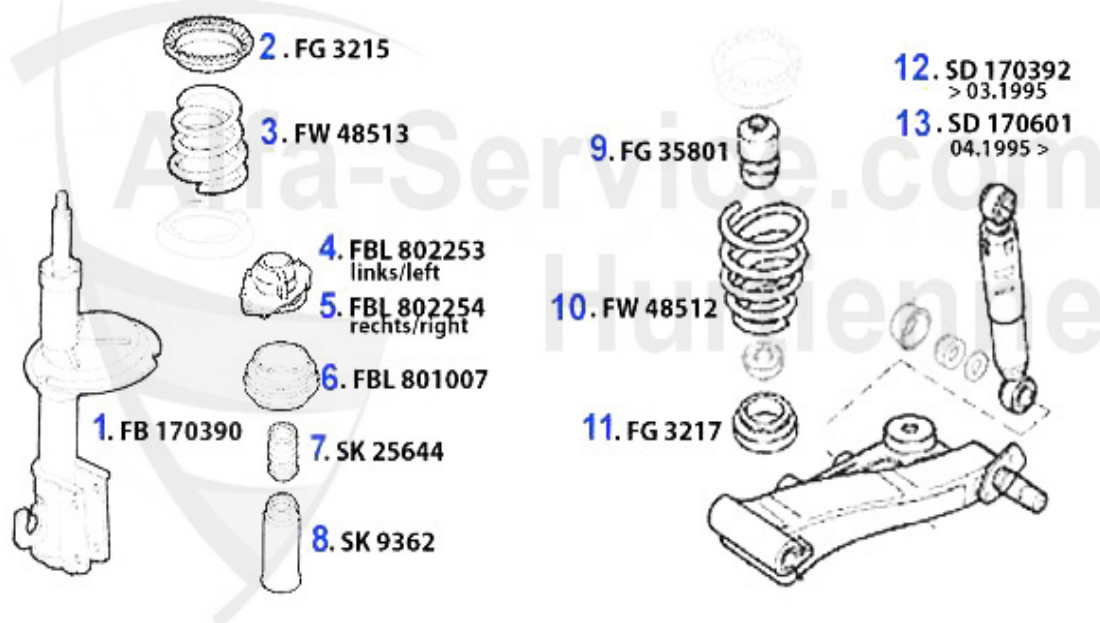
<b>1</b>	<b>BS517136</b>	<b>FRONT BRAKE HOSE 145/6 1.4/1.6/3.0 V6 06.95&gt;</b>	<b>15.99 EUR</b>
<b>2</b>	<b>BS516717</b>	<b>BRAKE HOSE REAR 155 WITHOUT ABS &gt;96</b>	<b>11.79 EUR</b>
<b>3</b>	<b>BS516716</b>	<b>BRAKE HOSE REAR 145/6,155,GTV/SPIDER (916) 2.0 TS/3.0 V</b>	<b>16.31 EUR</b>

# Handbremsseil/Brake Cable 155



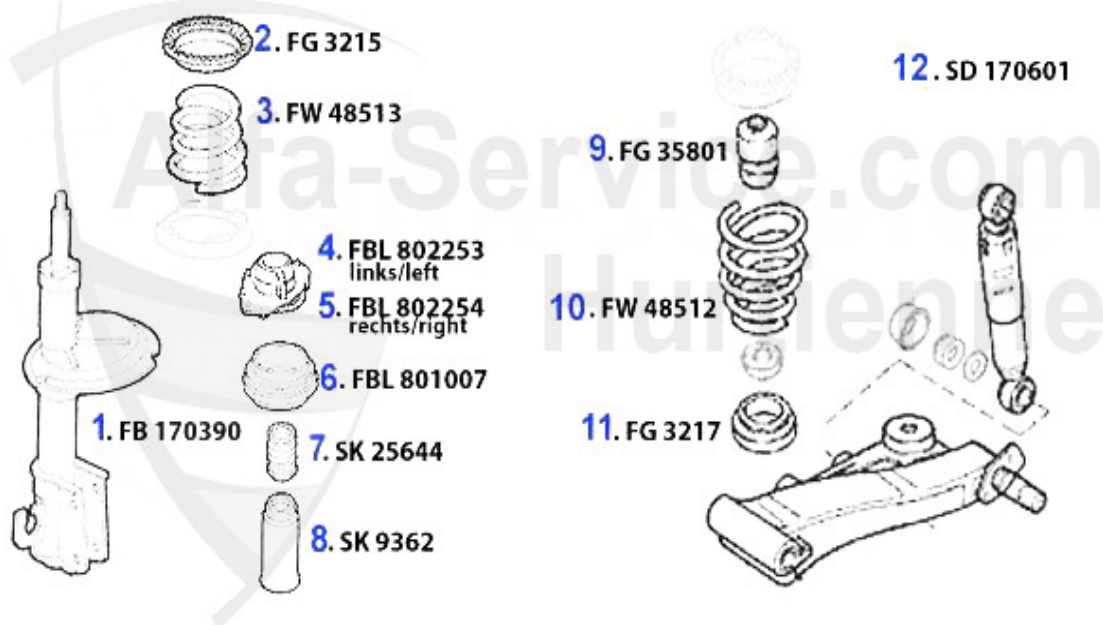
<b>1</b>	<b>HS165110</b>	<b>HANDBRAKE CABLE FRONT 145/6,147,155, SPIDER/GTV (916),N</b>	<b>19.08 EUR</b>
<b>2</b>	<b>HS25125</b>	<b>OE.60577826,HANDBRAKE CABLE RIGHT 145/6 WITH DISK BRAKE</b>	<b>22.36 EUR</b>
<b>3</b>	<b>HS25126</b>	<b>OE.7714822,HANDBRAKE CABLE LEFT 155</b>	<b>26.48 EUR</b>

## Federbeine/Struts 155 TS 8V



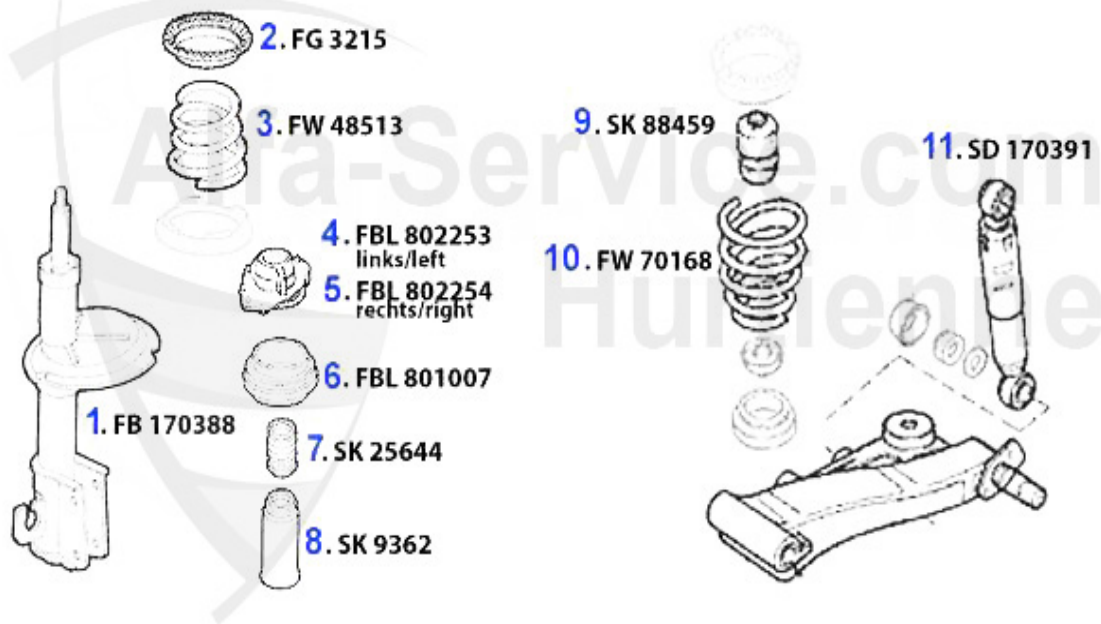
1	FB170390	SHOCK ABSORBER AR 145/6 1,9TD >11.96	165.01 EUR
2	FG3215	Federgummi für vorderes Federbein 145/6,155	14.49 EUR
6	FBL801007	Federbeinlager vorne 145/6,155	24.89 EUR
7	SK25644	OE. 60625644 RUBBER PAD f. STRUT FA 145/ 6	19.49 EUR
8	SK9362	Staubkappe vorderes Federbein 145/6,155	4.17 EUR
9	FG35801	OE. 7599485 RUBBER PAD	6.90 EUR
12	SD170392	Stossdämpfer hinten 155 Bj. >03.95 oben Auge/unten Auge	64.63 EUR
13	SD170601	REAR SHOCK ABSORBER 145/6,155 YAER 4.95> SIMPLE EFFECT	94.08 EUR

## Federbeine/Struts 155 TS 16V



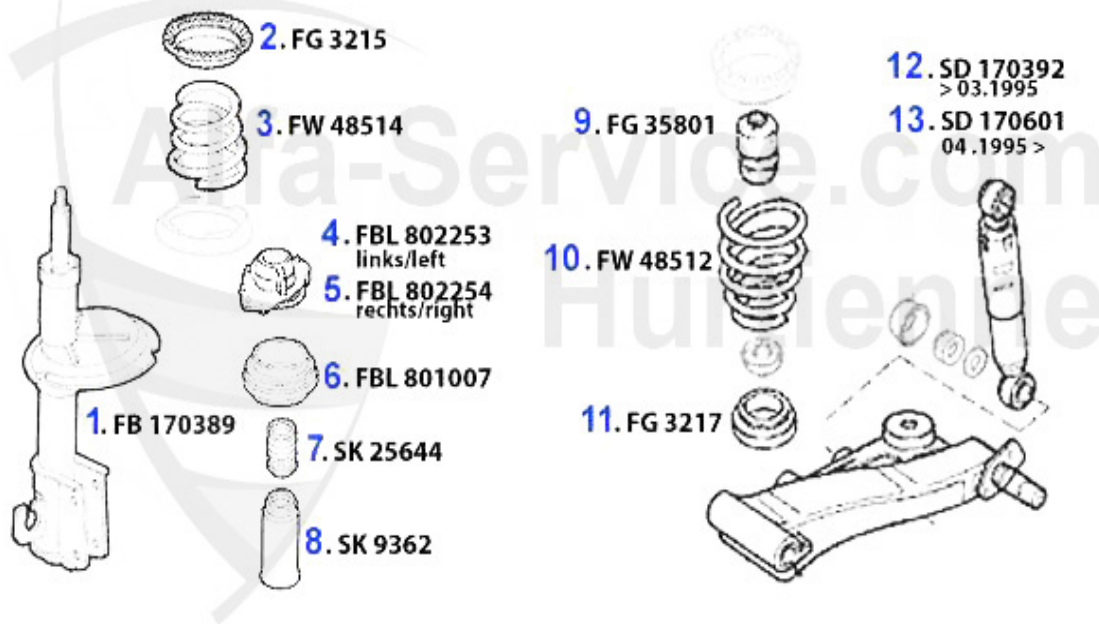
1	FB170390	SHOCK ABSORBER AR 145/6 1,9TD >11.96	165.01 EUR
2	FG3215	Federgummi für vorderes Federbein 145/6,155	14.49 EUR
6	FBL801007	Federbeinlager vorne 145/6,155	24.89 EUR
7	SK25644	OE. 60625644 RUBBER PAD f. STRUT FA 145/ 6	19.49 EUR
8	SK9362	Staubkappe vorderes Federbein 145/6,155	4.17 EUR
9	FG35801	OE. 7599485 RUBBER PAD	6.90 EUR
12	SD170601	REAR SHOCK ABSORBER 145/6,155 YAER 4.95> SIMPLE EFFECT	94.08 EUR

# Federbeine/Struts 155 Turbo Q4 16V



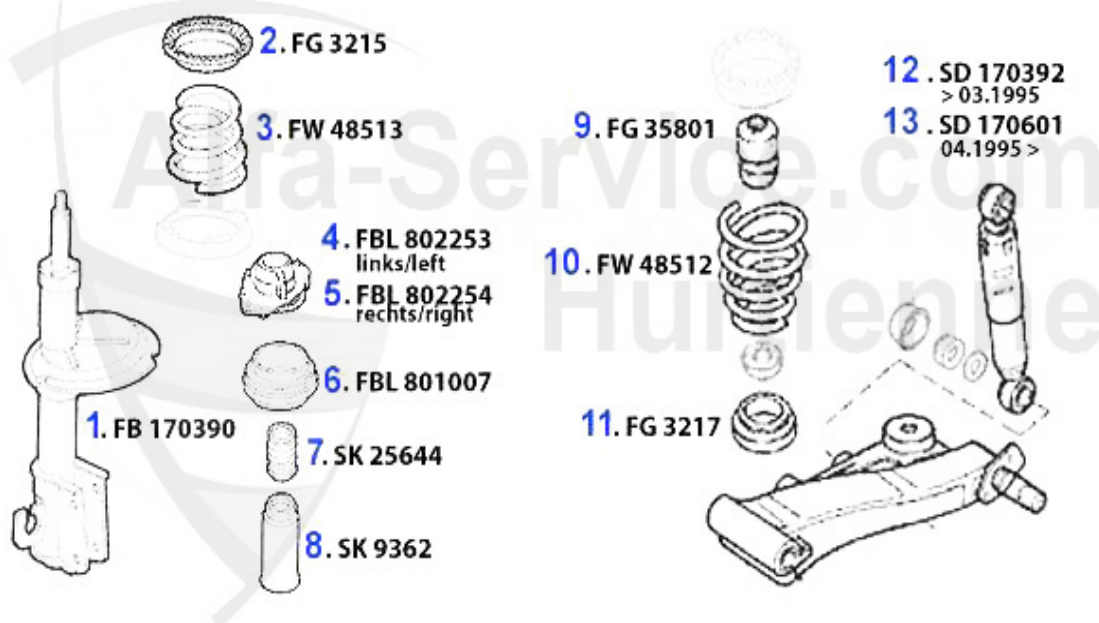
1	FB170388	Federbein vorne 155 TD,Turbo 16 V 2 -Rohr Gas,145 1.9 J	148.75 EUR
2	FG3215	Federgummi für vorderes Federbein 145/6,155	14.49 EUR
6	FBL801007	Federbeinlager vorne 145/6,155	24.89 EUR
7	SK25644	OE. 60625644 RUBBER PAD f. STRUT FA 145/ 6	19.49 EUR
8	SK9362	Staubkappe vorderes Federbein 145/6,155	4.17 EUR
9	SK88459	DUST COVER REAR STRUT 145/6 155, SPIDER/GTV (916)	32.50 EUR
11	SD170391	Stossdämpfer hinten 155 Turbo 16V,o ben Auge/unten Auge	101.55 EUR

# Federbeine/Struts 155 2.5 V6



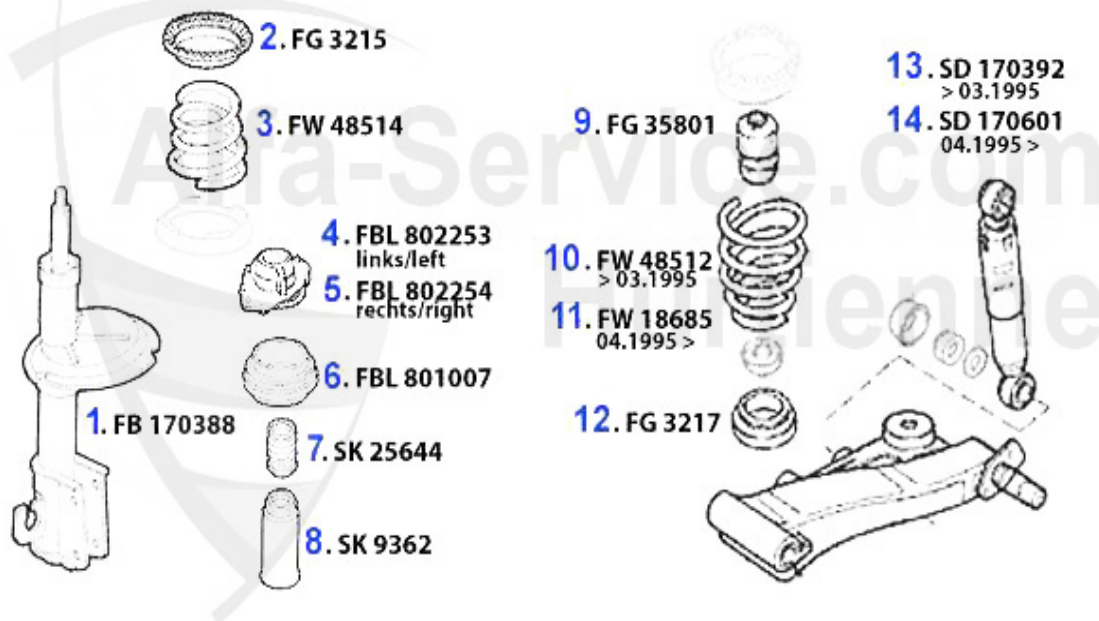
2	FG3215	Federgummi für vorderes Federbein 145/6,155	14.49 EUR
6	FBL801007	Federbeinlager vorne 145/6,155	24.89 EUR
7	SK25644	OE. 60625644 RUBBER PAD f. STRUT FA 145/ 6	19.49 EUR
8	SK9362	Staubkappe vorderes Federbein 145/6,155	4.17 EUR
9	FG35801	OE. 7599485 RUBBER PAD	6.90 EUR
12	SD170392	Stossdämpfer hinten 155 Bj. >03.95 oben Auge/unten Auge	64.63 EUR
13	SD170601	REAR SHOCK ABSORBER 145/6,155 YAER 4.95> SIMPLE EFFECT	94.08 EUR

## Federbeine/Struts 155 1.9 TD



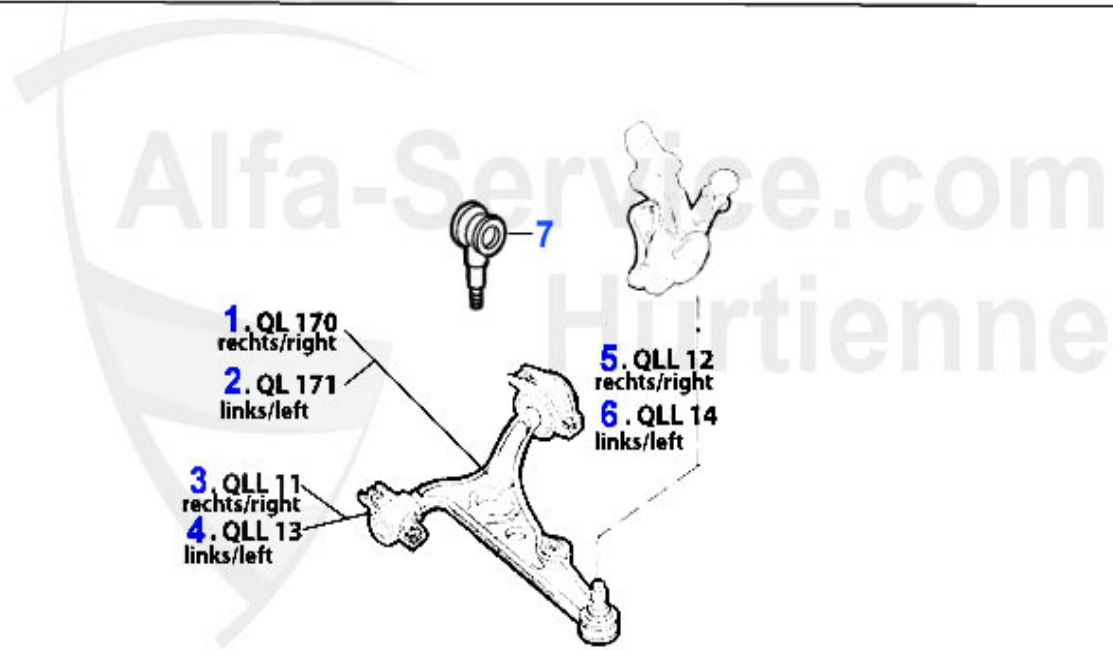
1	FB170390	SHOCK ABSORBER AR 145/6 1,9TD >11.96	165.01 EUR
2	FG3215	Federgummi für vorderes Federbein 145/6,155	14.49 EUR
6	FBL801007	Federbeinlager vorne 145/6,155	24.89 EUR
7	SK25644	OE. 60625644 RUBBER PAD f. STRUT FA 145/ 6	19.49 EUR
8	SK9362	Staubkappe vorderes Federbein 145/6,155	4.17 EUR
9	FG35801	OE. 7599485 RUBBER PAD	6.90 EUR
12	SD170392	Stossdämpfer hinten 155 Bj. >03.95 oben Auge/unten Auge	64.63 EUR
13	SD170601	REAR SHOCK ABSORBER 145/6,155 YAER 4.95> SIMPLE EFFECT	94.08 EUR

# Federbeine/Struts 155 2.5 TD



1	FB170388	Federbein vorne 155 TD,Turbo 16 V 2 -Rohr Gas,145 1.9 J	148.75 EUR
2	FG3215	Federgummi für vorderes Federbein 145/6,155	14.49 EUR
6	FBL801007	Federbeinlager vorne 145/6,155	24.89 EUR
7	SK25644	OE. 60625644 RUBBER PAD f. STRUT FA 145/ 6	19.49 EUR
8	SK9362	Staubkappe vorderes Federbein 145/6,155	4.17 EUR
9	FG35801	OE. 7599485 RUBBER PAD	6.90 EUR
13	SD170392	Stossdämpfer hinten 155 Bj. >03.95 oben Auge/unten Auge	64.63 EUR
14	SD170601	REAR SHOCK ABSORBER 145/6,155 YAER 4.95> SIMPLE EFFECT	94.08 EUR

## Aufhängung/Attachment 155 vorne/front



1	QL170	OE.60586752 TRAILING ARM FRONT RIGHT 145,146,155 GTV/SP	74.99 EUR
2	QL171	OE.60586771 TRAILING ARM LEFT 145,146,155 GT/SPIDER(916	75.51 EUR
3	QLL11	TRAILING ARM BEARING INNER RIGHT 145/6, 155,GTV&SPIDER	9.50 EUR
4	QLL13	TRAILING ARM BEARING INNER LEFT 145/6, 155,GTV&SPIDER (	9.50 EUR
5	QLL12	TRAILING ARM BEARING OUTER/RIGHT 145/6, 155,GTV&SPIDER	11.50 EUR
6	QLL14	TRAILING ARM BEARING OUTER LEFT 145/6, 155,GTV&SPIDER (	11.50 EUR
7	SS1502	STABILIZING ARM/PENDULUM SUPPORT 145/6, 155,SPIDER/GTV	24.50 EUR

# Radlager/Wheel Bearing 155 TS 8V

vorne/front:



hinten/rear:



1	RL9051	WHEEL BEARING SET FRONT SPIDER/GTV (916) 145/6,155	59.00 EUR
2	RN3401	FRONT WHEEL HUB 145/6,155,164 2.0 TS	66.68 EUR
3	RN3402	REAR WHEEL HUB 145/6,155 without ABS WHEEL HUB WITH BEA	56.93 EUR
4	RN3404	OE.46425959 WHEEL HUB REAR 145/6 155 WHEEL HUB WITH BEA	123.11 EUR

# Radlager/Wheel Bearing 155 TS 16V

vorne/front:



hinten/rear:



1	RL9051	WHEEL BEARING SET FRONT SPIDER/GTV (916) 145/6,155	59.00 EUR
2	RN3401	FRONT WHEEL HUB 145/6,155,164 2.0 TS	66.68 EUR
3	RN3402	REAR WHEEL HUB 145/6,155 without ABS WHEEL HUB WITH BEA	56.93 EUR
4	RN3404	OE.46425959 WHEEL HUB REAR 145/6 155 WHEEL HUB WITH BEA	123.11 EUR

# Radlager/Wheel Bearing 155 Turbo Q4

vorne/front:



hinten/rear:



1	RL9054	Radlagersatz VA 155 2.0 16V Turbo, 164/Super 2.0 TS # 0	85.00 EUR
2	RN3402	REAR WHEEL HUB 145/6,155 without ABS WHEEL HUB WITH BEA	56.93 EUR
3	RN3404	OE.46425959 WHEEL HUB REAR 145/6 155 WHEEL HUB WITH BEA	123.11 EUR

## 155 > SUSPENSION > WHEL BEARING 2.5 V6



<b>1</b>	<b>RL9054</b>	<b>Radlagersatz VA 155 2.0 16V Turbo, 164/Super 2.0 TS # 0</b>	<b>85.00 EUR</b>
<b>2</b>	<b>RN3402</b>	<b>REAR WHEEL HUB 145/6,155 without ABS WHEEL HUB WITH BEA</b>	<b>56.93 EUR</b>
<b>3</b>	<b>RN3404</b>	<b>OE.46425959 WHEEL HUB REAR 145/6 155 WHEEL HUB WITH BEA</b>	<b>123.11 EUR</b>
<b>4</b>	<b>RN6057</b>	<b>Radnabe vorne 145/6 (99-20) AR155 Turbo, 155 2,5 V6 92-</b>	<b>69.00 EUR</b>

# Radlager/Wheel Bearing 155 1.9 TD

vorne/front:



hinten/rear:



1	RL9051	WHEEL BEARING SET FRONT SPIDER/GTV (916) 145/6,155	59.00 EUR
2	RN3401	FRONT WHEEL HUB 145/6,155,164 2.0 TS	66.68 EUR
3	RN3402	REAR WHEEL HUB 145/6,155 without ABS WHEEL HUB WITH BEA	56.93 EUR
4	RN3404	OE.46425959 WHEEL HUB REAR 145/6 155 WHEEL HUB WITH BEA	123.11 EUR

# Radlager/Wheel Bearing 155 2.5 TD

vorne/front:



hinten/rear:



1	RL9054	Radlagersatz VA 155 2.0 16V Turbo, 164/Super 2.0 TS # 0	85.00 EUR
2	RN3402	REAR WHEEL HUB 145/6,155 without ABS WHEEL HUB WITH BEA	56.93 EUR
3	RN3404	OE.46425959 WHEEL HUB REAR 145/6 155 WHEEL HUB WITH BEA	123.11 EUR

# Lenkung/Steering 155



**1. SSK189**  
links/left  
Konus/CONE 13 mm

**2. SSK 188**  
rechts/right  
Konus/CONE 13 mm

**3. SSK 64**  
links/left  
Konus/CONE 14 mm

**4. SSK 65**  
rechts/right  
Konus/CONE 14 mm



**5. SSK 115**  
links/rechts  
left/right  
4-Cyl.

**6. SSK 1100**  
links/rechts  
left/right  
6-Cyl.

**7. LMS 83588**  
-2.0 TS 16V/2.5 V6  
Q4/TD

**8. LMS 83871**  
+2.0 TS 16V/2.5 V6  
Q4/TD



<b>1</b>	<b>SSK188</b>	<b>TRACK ROD END RH 145/6,155,916 CONUS SHAFT 13MM</b>	<b>55.00 EUR</b>
<b>3</b>	<b>SSK64</b>	<b>OE.60565706 TRACK ROD END LEFT OUTER 155,SPIDER/GTV(916)</b>	<b>34.00 EUR</b>
<b>4</b>	<b>SSK65</b>	<b>Spurstangenkopf außen rechts 155, spider/gtv (916) ACHT</b>	<b>34.00 EUR</b>
<b>5</b>	<b>SSK115</b>	<b>TRACK ROD END 145/5,155 TD/JTD SPIDER/GTV (916) V6</b>	<b>45.01 EUR</b>
<b>6</b>	<b>SSK1100</b>	<b>Spurstangenkopf außen 145/6,155, spider/gtv (916)</b>	<b>45.01 EUR</b>
<b>7</b>	<b>LMS83588</b>	<b>OE.9941582 STEERING BOOT SET LEFT &amp; RIGHT SIDE 155, GTV</b>	<b>24.30 EUR</b>
<b>8</b>	<b>LMS83871</b>	<b>OE. 9947721 STEERING BOOT SET</b>	<b>24.50 EUR</b>

## 155 > ELECTRIC > FUSE



1	FSI075	Flachsteck-Sicherung 7,5 A	0.20 EUR
2	FSI010	Flachsteck-Sicherung 10 A	0.20 EUR
3	FSI020	Flachsteck-Sicherung 20 A	0.20 EUR
4	FSI025	Flachsteck-Sicherung 25 A	0.20 EUR
5	FSI030	Flachsteck-Sicherung 30 A	Preis auf Anfrage

155 > ELECTRIC > ENGINE ELECTRIC > GLOW PLUG



1 GK908

Glühkerze Beru 145/6 1.9 TD Bj. >2. 99,155 1.9/2.5 TD,1

10.00 EUR

## 155 > ELECTRIC > ENGINE ELECTRIC > SENSORS



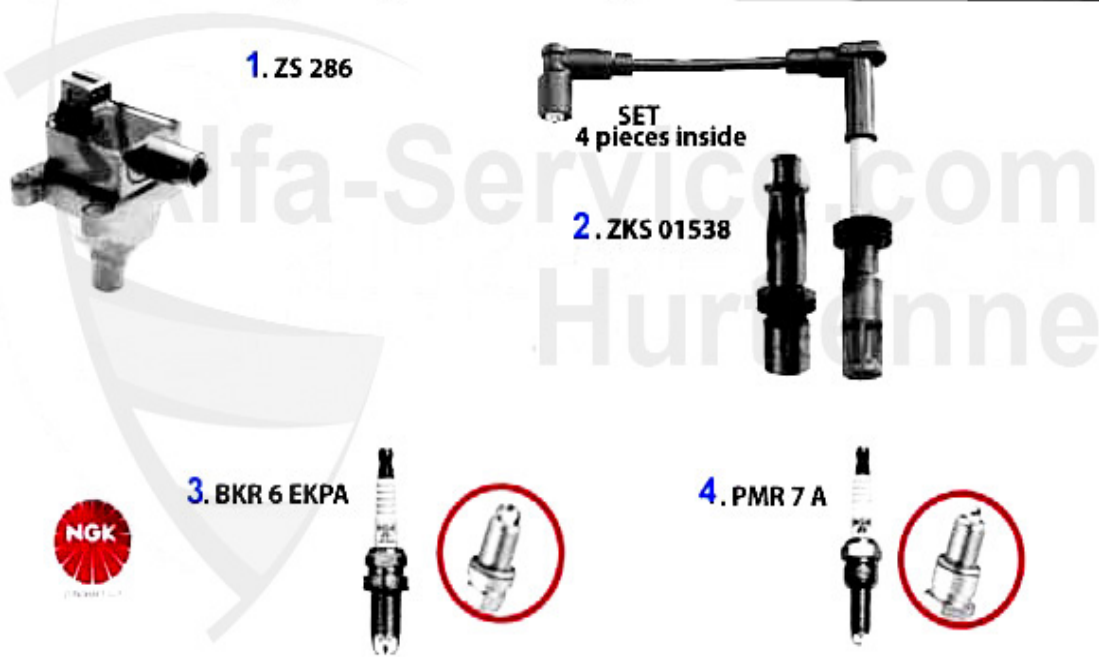
1	WTG6006	Geber Kühlwassertemperatur 155 2.0 Turbo 4x4	16.01 EUR
1	WTG60149	Geber Kühlwassertemperatur 145/6, 155, 156, gtv/spider	16.01 EUR
1	WTG60189	Geber Kühlwassertemperatur 75 1.8 T urbo,164 2.0 Turbo,	13.99 EUR
1	WTG6028	Geber Kühlwassertemperatur Sud/Spri nt,33 (905/7),145/6	14.90 EUR
1	WTG60114	Geber Kühlwassertemperatur 33 (905/ 7),145/6 Bj. >96,75	14.90 EUR
1	WTG6025	Geber Kühlwassertemperatur 155,164 Super 2.5 TD	15.99 EUR
1	WTG6035	Geber Kühlwassertemperatur 145/6,15 5 1.9 TD	20.49 EUR
2	KWS69866	OE. 46469866 SENDING UNIT TS 16V	45.90 EUR
2	NWS92752	KNOCK SENSOR SPIDER/GTV (916),164,155, 156,166,145,146	39.90 EUR
2	KWS69912	Nockenwellen-Sensor 145/6,147,155, 156,Nuovo GT,gtv/spi	69.00 EUR
2	KWS13208	OE. 60513208 SENDING UNIT 33,75,145/6, 155,164/SUPER,SP	129.00 EUR
3	ODS4040127	Öldruckschalter 145/6,147,155,156,1 66,gtv/spider (916)	12.00 EUR
3	ODS404068	OE.60807764 oil pressure switch 147 155,156,164,166 gtv	15.51 EUR
3	ODS4040109	Öldruckschalter 155 Bj. >96 1.7 TS, 164/Super 2.0 TS (m	6.49 EUR
4	ODG505002	OIL PRESSURE SENDER 105,116,6,75,90,155, 164/Super,RZ/S	45.01 EUR
5	RFS9098	Rückfahrl.-Schalter 155,164 2.5 TD	19.00 EUR
5	RFS9097	OE. 7700415 GEARBOX SWITCH 155,164	29.00 EUR
5	RFS9076	Rückfahrl.-Schalter 147,155, 156,gtv/spider (916),Nuovo	12.00 EUR
6	THS2700	Thermoschalter 145/6,155,164 (mit K (mit Kabel)	54.99 EUR
7	NWS69912	OE. 46469912 SENDING UNIT CAMSHAFT TS 16V	68.00 EUR
8	WTG60145	TEMPERATUR SENSOR 33(905/7),75,155,164 164 /Super,Spide	28.50 EUR

# Zündanlage/Ignitionsystem 155 TS 8V



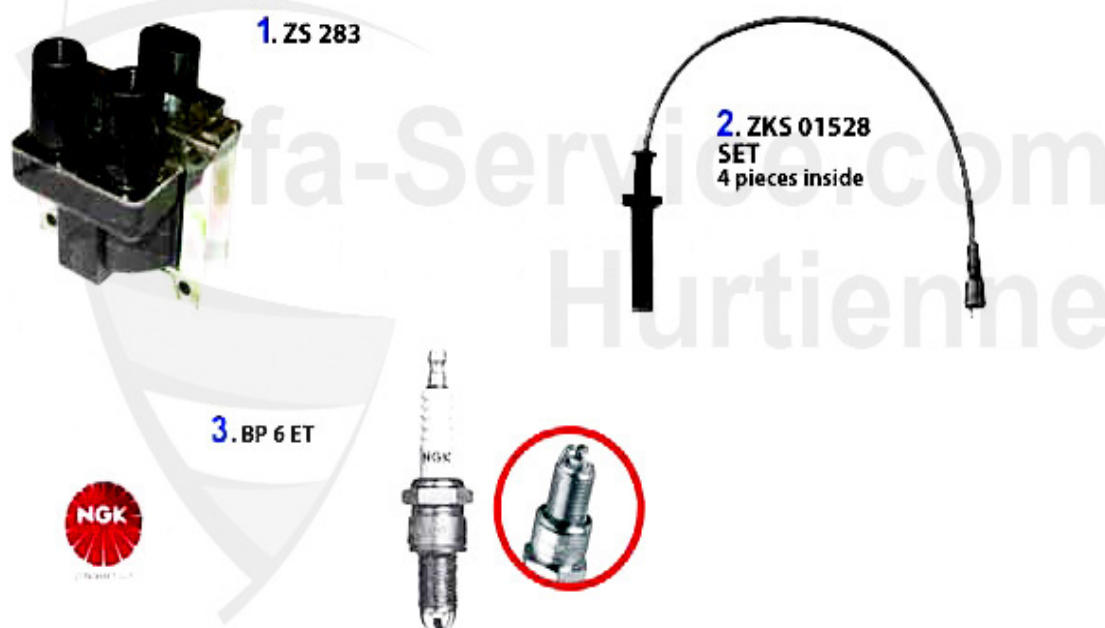
1	ZS068	7648797/60809606 IGNITION COIL 155,164/ SUPER	100.60 EUR
2	ZKS01534	CABLES 155 TS 8V,164/SUPER 2.0 TS	109.00 EUR
3	ZSG48798	OE. 7648798 Ignition Collector	97.46 EUR
4	BCP 6 ES	OE 60512848, SPARK PLUG NGK 75 2.0L TS, 155 1.7/1.8/2.0	5.90 EUR
6	2HLDR	SPARK PLUG 2HLDR GOLDEN LODGE ALFA 75 TS/155 TS/164 TS	9.00 EUR

# Zündanlage/Ignitionsystem 155 TS 16V



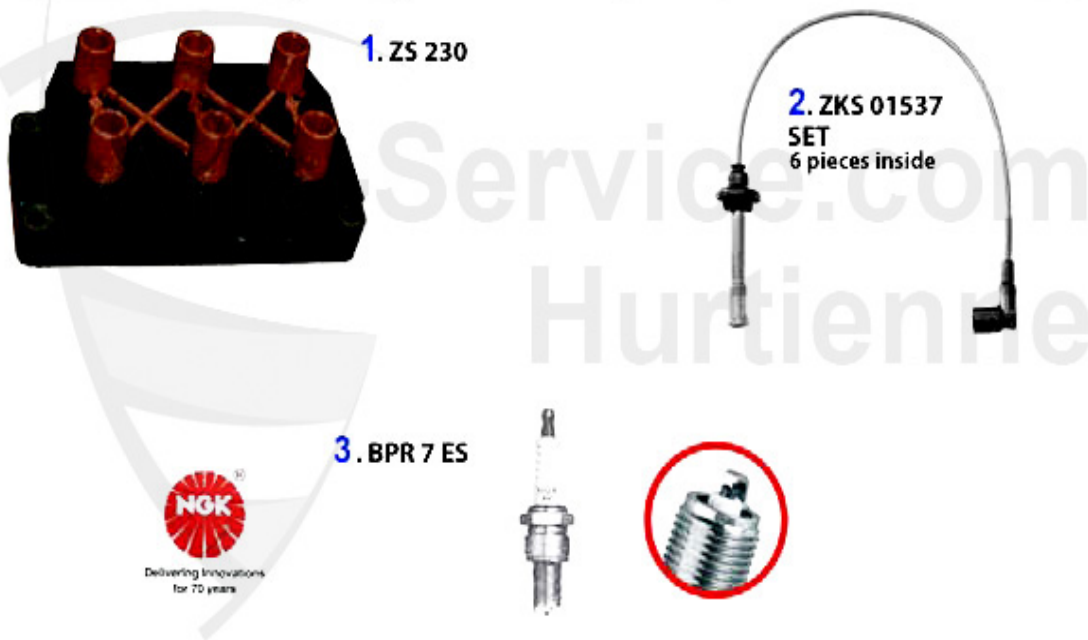
1	ZS286	IGNITION COIL 145/6,155,156,SPIDER/GTV (916) 1.6-2.0 TS	67.00 EUR
2	ZKS01538	Kabelsatz 145/6 1.4/1.6/1.8/2.0 ie 16V TS bj. 97>,155 1	199.00 EUR
3	BKR 6 EKPA	SPARK PLUG 2 X PLATINUM 145/6,147,155 156,166 GTV/SPIDE	27.50 EUR
4	PMR 7 A	Zündkerze NGK Idrium Langzeitkerze 145/6,147,155,156,16	27.50 EUR

## Zündanlage/Ignitionsystem 155 Q4



1	ZS283	Zündspule 33,145/6 1.4 ie Bj. 91-96 155 2.0 16V turbo B	19.96 EUR
2	ZKS01528	SPARK PLUG WIRE SET 155 TURBO	32.00 EUR
3	BP 6 ET	Zündkerze NGK m. 3 Masseelektroden 155 2.0 16V Turbo,10	8.90 EUR

# Zündanlage/Ignitionsystem 155 2.5 V6



1	ZS230	IGNITION COIL 155,164,166,SPIDER/GTV (916) 2.5-3.0 V6	Preis auf Anfrage
2	ZKS01537	CABLES 155 V6,166 V6	245.18 EUR
3	BPR 7 ES	SPARK PLUG NGK 155 2.5 V6,164 3.0 V6	4.07 EUR

## Aggregate/Aggregats 155 TS 8V

1. AN 15 600  
> 1992



2. AN 16 910  
1993 >



3. LI 39 330



2	AN16910	STARTER 155 1.7 TS - 2.0 TS	209.27 EUR
3	LI39330	ALTERNATOR 155 1.7/1.8/2.0 TS >96,164 2.0 TS 11.90>	286.22 EUR

## Aggregate/Aggregats 155 TS 16V

**1. AN 16 910**  
>06.1995



**2. AN 17 770**  
06.1995>



**3. LI 62 660**  
Poly.-V 7



**4. LI 40 645**  
Poly.-V 6  
>1997



**5. LI 40 630**  
Poly.-V 6  
1998>



<b>1</b>	<b>AN16910</b>	<b>STARTER 155 1.7 TS - 2.0 TS</b>	<b>209.27 EUR</b>
<b>2</b>	<b>AN17770</b>	<b>Anlasser 145 1.7ie 16V/2.0 16V QV bj. 03.98&gt;, 147 1.6/2</b>	<b>174.99 EUR</b>
<b>3</b>	<b>LI62660</b>	<b>ALTERNATOR 145/6,155,156,GTV/SPIDER (916) 2.0 TS</b>	<b>276.98 EUR</b>
<b>4</b>	<b>LI40645</b>	<b>ALTERNATOR 145/6 (WITH AC),155/6 1.6/ 1.8 16V TS (WITH</b>	<b>287.24 EUR</b>
<b>5</b>	<b>LI40630</b>	<b>OE. 71739603 GENERATOR 155 2.0 TS 16V 1998&gt;</b>	<b>224.66 EUR</b>

## Aggregate/Aggregats 155 Q 4

---

1. AN 14 570



2. LI 36 785



1	AN14570	STARTER 155/164 2.0 16V TURBO	173.37 EUR
2	LI36785	ALTERNATOR 155 2.0 16V TURBO	318.02 EUR

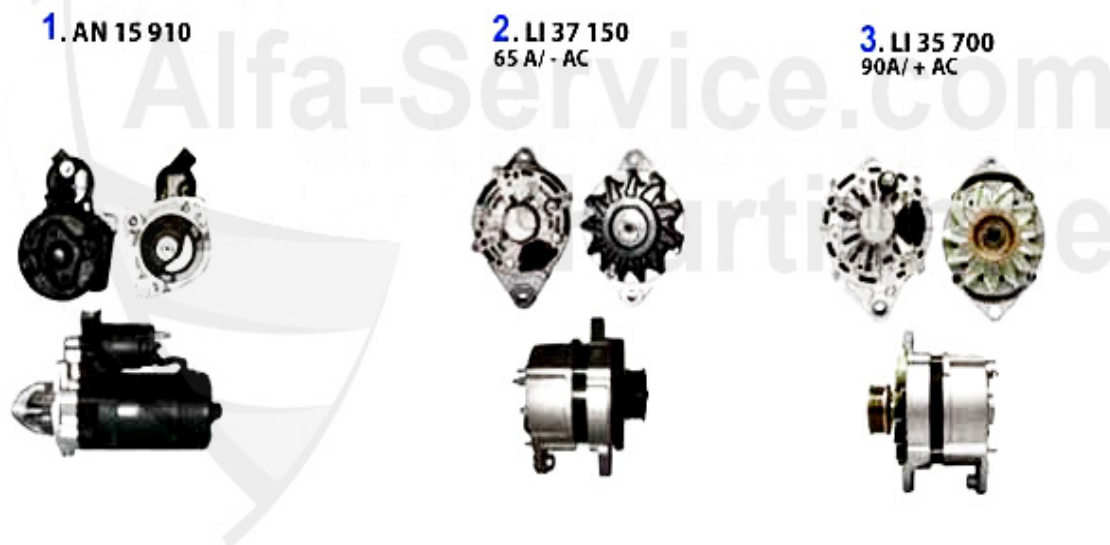
## Aggregate/Aggregats 155 V6

---



<b>2</b>	<b>LI60780</b>	<b>ALTERNATOR 155 2.5 V6 &gt;03.94</b>	<b>323.14 EUR</b>
<b>3</b>	<b>LI40920</b>	<b>ALTERNATOR GTV/SPIDER (916) 6 CYLINDER</b>	<b>316.99 EUR</b>

## Aggregate/Aggregats 155 1.9 TD



<b>1</b>	<b>AN15910</b>	<b>STARTER 145/6,155 1.9 TD 66 KW</b>	<b>287.24 EUR</b>
<b>2</b>	<b>LI37150</b>	<b>OE. 46431710 GENERATOR 155 1.9 TD 65A</b>	<b>220.55 EUR</b>
<b>3</b>	<b>LI35700</b>	<b>ALTERNATOR 145/6 1.9 TD (WITH AC),155 1.9 TD</b>	<b>306.73 EUR</b>

## Aggregate/Aggregats 155 2.5 TD

---

1. AN 15 610



2. LI 61 130



1	AN15610	STARTER 33 1.8 TD,155,164 2.5 TD	306.73 EUR
2	LI61130	ALTERNATOR 155 1.9/2.5 TD,164 2.4 TD	214.40 EUR



---

1 WB310

Wischblatt-Satz 145/6,155,166

27.50 EUR