

## **Produktkatalog 156**

**Alle Preise inkl. 19% MwSt.**

# Table of Contents

156 .....	8
BODY .....	8
MIRROR .....	8
LIGHTNING .....	9
BODY PARTS .....	10
BUMPER/GRILLE/PANEL .....	11
WINDOW REGULATOR .....	12
SCRIPTS .....	13
ENGINE .....	14
AIR SYSTEM.....	14
ENGINE BLOCK.....	15
PIL PAN .....	15
PISTON + LINERS .....	16
1.8 TS 16V.....	16
2,5 V6 24V .....	17
2.0 TS 16V.....	18
V-BELTS.....	19
TS 16V.....	19
2.0 JTS .....	20
2.5/3.2 V6 24V/GTA .....	21
1.9 JTD 8V .....	22
1.9 JTD 16V .....	23
2.4 JTD 10V .....	24
2.4 JTD 20V .....	25
FUEL SYSTEM .....	26
TS 16V.....	26
FUEL PUMP .....	26
2.0 JTS .....	27
FUEL PUMP .....	27
2.5/3.2 V6 24V/GTA .....	28
FUEL PUMP .....	28
1.9 JTD 8V .....	29
FUEL PUMP .....	29
1.9 JTD 16V .....	30
FUEL PUMP .....	30
2.4 JTD 10V .....	31
FUEL PUMP .....	31
2.4 JTD 20V .....	32
FUEL PUMP .....	32
ENGINE GASKETS .....	33
TS 16V.....	33
GASKETS ENGINE .....	33
HAED SET .....	34
FULL SET .....	35
HEADSREW SET .....	36
2.0 JTS .....	37
GASKETS ENGINE .....	37

HAED SET .....	38
2.5/3.2 V6 24V/GTA .....	39
GASKETS ENGINE .....	39
HAED SET .....	40
FULL SET .....	41
HEADSCREW SET .....	42
1.9 JTD .....	43
GASKETS ENGINE .....	43
HEADGASKET .....	44
HEAD SET .....	45
HEADSCREW SET .....	46
2.4 JTD .....	47
GASKETS ENGINE .....	47
HEAD GASKET .....	48
HEAD SET .....	49
HEADSCREW SET .....	50
COOLING SYSTEM .....	51
TS16V .....	51
TUBES .....	51
RADIATOR .....	52
THERMOSTAT .....	53
WATERPUMP .....	54
OVERFLOW CONTAINER.....	55
2.0 JTS .....	56
RADIATOR .....	56
THERMOSTAT .....	57
WATERPUMP .....	58
OVERFLOW CONTAINER.....	59
2.5/3.2 V6 24V/GTA .....	60
RADIATOR .....	60
THERMOSTAT .....	61
WATERPUMP .....	62
HOSE.....	63
OVERFLOW CONTAINER.....	64
1.9 JTD 8V .....	65
RADIATOR .....	65
THERMOSTAT .....	66
WATERPUMP .....	67
OVERFLOW CONTAINER.....	68
1.9 JTD 16V .....	69
RADIATOR .....	69
THERMOSTAT .....	70
WATERPUMP .....	71
OVERFLOW CONTAINER.....	72
2.4 JTD 10V .....	73
RADIATOR .....	73
THERMOSTAT .....	74
WATERPUMP .....	75
OVERFLOW CONTAINER.....	76
2.4 JTD 20V .....	77

RADIATOR .....	77
THERMOSTAT .....	78
WATERPUMP .....	79
OVERFLOW CONTAINER.....	80
ENGINE MOUNT.....	81
TS16V.....	81
2.0 JTS.....	82
2.5/3.2 V6 24V/GTA.....	83
1.9 JTD 8V .....	84
1.9 JTD 16V .....	85
2.4 JTD 10V .....	86
156 2.4 JTD 20V .....	87
VALVE GEAR.....	88
TS16V.....	88
CAMSHAFT .....	88
VALVE MECHANISM.....	89
TIMING BELT.....	90
2.0 JTS.....	91
CAMSHAFT .....	91
VALVE MECHANISM.....	92
TIMINGBELT.....	93
2.5/3.2 V6 24V/GTA.....	94
CAMSHAFT .....	94
VALVE MECHANISM.....	95
TIMINGBELT.....	96
1.9 JTD 8V .....	97
CAMSHAFT .....	97
VALVE MECHANISM.....	98
TIMINGBELT.....	99
1.9 JTD 16V .....	100
CAMSHAFT .....	100
VALVE MECHANISM.....	101
TIMINGBELT.....	102
2.4 JTD 10V .....	103
CAMSHAFT .....	103
VALVE MECHANISM.....	104
TIMINGBELT.....	105
2.4 JTD 20V .....	106
CAMSHAFT .....	106
VALVE MECHANISM.....	107
TIMINGBELT.....	108
FILTER.....	109
TS 16V.....	109
2.0 JTS.....	110
2.5/3.2 V6 24V/GTA.....	111
1.9 JTD .....	112
2.4 JTD .....	113
EXHAUST SYSTEM.....	114
TURBO CHARGER.....	114
1.9/2.4 JTD .....	114

EXHAUST SYSTEM.....	115
TS 16V CF2.....	115
TS16V CF3.....	116
2.0 JTS.....	117
2.5 V6 24V >2002.....	118
2.5/3.2 V6 24V/GTA 2002>.....	119
1.9 JTD 8V.....	120
1.9 JTD 16V.....	121
2.4 JTD 10V.....	122
2.4 JTD 20V.....	123
SPORT EXHAUST SYSTEM.....	124
TS16V CF2.....	124
TS16V CF3.....	125
2.0 JTS.....	126
2.5 V6 24V >2002.....	127
1.9 JTD 8V.....	128
1.9 JTD 16V.....	129
2.4 JTD 10V.....	130
LAMBDA PROBE.....	131
TS16V CF2.....	131
TS16V CF3.....	132
2.0 JTS.....	133
2.5 V6 24V CF2 >2002.....	134
2.5/3.2 V6 24V/GTA 2002>.....	135
AIR CONDITIONER.....	136
2001 - 2008 1,9JTD.....	136
DRIVETRAIN.....	137
DRIVE SHAFT.....	137
1.6/1.8 TS 16V.....	137
2.0 TS 16V.....	138
2.0 JTS.....	139
2.5 V6 24V.....	140
3.2 V6 24V/GTA.....	141
1.9 JTD 8V.....	142
1.9 JTD 16V.....	143
2.4 JTD 10V.....	144
2.4 JTD 20V.....	145
CLUTCH.....	146
CLUTCH SET 1.6/1.8 TS 16V.....	146
SLEEVE BEARING 1.6/1.8 TS 16V.....	147
CLUTCH SET 2.0 TS 16V.....	148
SLEEVE BEARING 2.0 TS 16V.....	149
CLUTCH SET 2.0 JTS.....	150
SLEEVE BEARING 2.0 JTS.....	151
CLUTCH SET 2.5 V6 24V.....	152
GUIDE BUSH F. SLEEVE BEARING 2.5 V6 24V.....	153
CLUTCH SET 3.2 V6 24V/GTA.....	154
GUIDE BUSH f. SLEEVE BEARING 3.2 V6 24V/.....	155
CLUTCH SET 1.9 JTD 8V.....	156
GUIDE f. SLEEVE BEARING 1.9 JTD 8V.....	157

CLUTCH SET 1.9 JTD 16V .....	158
GUIDE BUSH f. SLEEVE BEARING 1.9 JTD 16V .....	159
CLUTCH SET 2.4 JTD 10V .....	160
GUIDE BUSH f. SLEEVE BEARING 2.4 JTD 10V .....	161
CLUTCH SET 2.4 JTD 20V .....	162
SLEEVE BEARING 2.4 JTD 20V .....	163
CLUTCH ACTUATION .....	164
1.6/1.8 TS 16V.....	164
2.0 TS 16V.....	165
2.0 JTS.....	166
2.5 V6 24V .....	167
3.2 V6 24V/GTA .....	168
1.9 JTD 8V .....	169
1.9 JTD 16V .....	170
2.4 JTD 10V .....	171
2.4 JTD 20V .....	172
BRAKE.....	173
BRAKE DISKS >2002.....	173
BRAKE DISKS 2002>.....	174
BRAKE PADS >2002 .....	175
BRAKE PADS 2002> .....	176
CALIPER >2002 .....	177
CALIPER 2002> FRONT .....	178
CALIPER 2002> REAR.....	179
BRAKE SERVO/BRAKE MASTER CYL. >2002 .....	180
BRAKE HOSES .....	181
BRAKE CABLE.....	182
SUSPENSION .....	183
STRUT TS 16V .....	183
STRUT 2.0 JTS .....	184
STRUT 2.5 V6 24V .....	185
STRUT 3.2 V6 24V/GTA .....	186
STRUT 1.9 JTD 8/16V.....	187
STRUT 2.4 JTD 10/20V.....	188
ATTACHMENT FRONT.....	189
ATTACHMENT REAR .....	190
WHEEL BEARING .....	191
STEERING .....	192
STEERING PARTS .....	192
ELECTRIC .....	193
FUSE .....	193
ENGINE ELECTRIC .....	194
GLOW PLUG.....	194
SENSORS.....	195
IGNITION SYSTEM TS.....	196
IGNITION SYSTEM V6.....	197
AGGREGATS TS .....	198
AGGREGATS JTS.....	199
AGGREGATS V6 24V .....	200
AGGREGATS 1.9 JTD 8V .....	201

AGGREGATS 1.9 JTD 16V .....	202
AGGREGATS 2.4 JTD 10V .....	203
AGGREGATS 2.4 JTD 20V .....	204
INTERIOR.....	205
CAR MAT .....	205

# Außenspiegel/Mirror 156



**1.** ASP 18580  
links/left  
>2001

**2.** ASP 36539  
links/left  
2001>

**3.** ASP 79252  
Glas/glass  
rechts/right

**4.** ASP 79253  
Glas/glass  
links/left



**5.** ASP 17130  
rechts/right  
>2001

**6.** ASP 36535  
rechts/right  
2001>



<b>1</b>	<b>ASP18580</b>	<b>OUTER MIRROR LEFT 156 year &gt;01 ELECTRIC,BLUE GLASS,COLO</b>	<b>179.52 EUR</b>
<b>2</b>	<b>ASP36539</b>	<b>OUTER MIRROR LEFT 156 YEAR 01&gt; ELECTRIC, BLUE GLASS,CON</b>	<b>235.00 EUR</b>
<b>3</b>	<b>ASP79252</b>	<b>Ersatzglas f. Außenspiegel 156 rech ts</b>	<b>29.24 EUR</b>
<b>4</b>	<b>ASP79253</b>	<b>Ersatzglas f. Außenspiegel 156 link</b>	<b>29.24 EUR</b>
<b>5</b>	<b>ASP17130</b>	<b>OUTER MIRROR RIGHT 156 YEAR &gt;01 ELECTRIC,BLUE GLASS,CON</b>	<b>179.52 EUR</b>
<b>6</b>	<b>ASP36535</b>	<b>OUTER MIRROR RIGHT 156 YEAR 01&gt; ELECTRIC,BLUE GLASS,CON</b>	<b>235.00 EUR</b>

## 156 > BODY > LIGHTNING



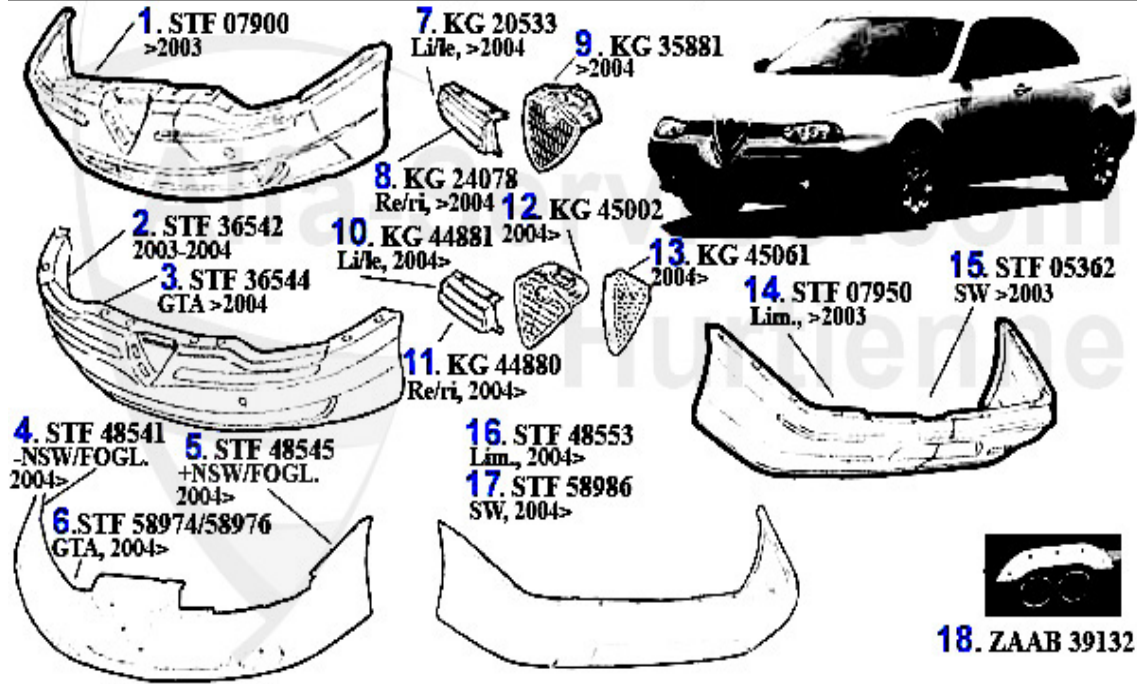
1	SW20134	Hauptscheinwerfer rechts 156 (mit L EW) H7/H1	139.52 EUR
2	SW20135	Hauptscheinwerfer links 156 (mit LE W) H7/H1	139.52 EUR
3	SW78728	Xenon-Hauptscheinwerfer rechts 156	Preis auf Anfrage
4	SW79517	Xenon-Hauptscheinwerfer links 156	624.75 EUR
5	SW85942	HEADLIGHT AR 159 and GTA FROM 09.03-09.05	193.89 EUR
5	SW79705	Hauptscheinwerfer rechts 156 GTA Bj. >6.03	213.01 EUR
6	SW85943	HEADLIGHT AR 156 and GTA FROM 09.03-09.05	193.89 EUR
6	SW79707	Hauptscheinwerfer links 156 GTA Bj. >6.03	213.01 EUR
7	SW77965	XENON HEADLIGHT RH 156 GTA >06.03	Preis auf Anfrage
8	SW77966	XENON HEADLIGHT LH 156GTA > 06.03	Preis auf Anfrage
9	NSW490119	FOGLIGHT 156 1997-01	61.55 EUR
10	NSW92719	FOG LAMP 156/SW (NOT GTA) 02>	69.25 EUR
11	NSW95239	Nebelscheinwerfer 156/GTA	77.00 EUR
12	ZBL20141	Zusatz-Blinkleuchte rechts 156/SW	12.90 EUR
13	ZBL20142	Zusatz-Blinkleuchte links 156/SW	12.90 EUR
20	ZBL20687	OE. 60620687 TAIL LAMP 156 >2000	Preis auf Anfrage
21	ZBL70493	OE. 60670493 TAIL LAMP 156 2000>	Preis auf Anfrage
23	KL08006	Kennzeichenleuchte 156/SW,166	13.23 EUR
24	ZBL86517	Zusatzblinkleuchte 147 links Bj. 05 > (Facelift)	11.19 EUR
25	ZBL86516	Zusatzblinkleuchte 147 rechts Bj. 0 5> (Facelift)	11.19 EUR

# Karosserieteile/Body Parts 156



1	GF9675	OE. 60654724 PROP/BONNET 156	26.57 EUR
2	MH07280	Motorhaube 156 > Bj.03	266.73 EUR
3	MH85925	OE. 60685925 HOOD BONNET 156 2003>	452.41 EUR
6	QT07230	OE.60619597 boxed panel(lower radiator) 156 year >03	59.00 EUR
7	QT85792	OE. 60685792 CROSSRAIL 156 2003>	99.90 EUR
8	QT19994	OE. 60619994 BOXED PANEL 156	57.56 EUR
10	KF07312	OE. 60619295 FENDER FR 156 >2003	Preis auf Anfrage
15	GF0504	TRUNK LID SHOCK ABSORBER 156 WITHOUT SPOILER (370N) 265	27.70 EUR
16	GF8355	TRUNK LID SHOCK ABSORBER 156 WITH SPOILER (370N) LENGTH	28.21 EUR
17	GF4833	OE. 60664833 GAS SPRING BACKDOOR 156 SW	15.01 EUR

# Stoßstangen/Bumpers 156



1	STF07900	OE. 60779355 FRONT BUMPER 156 >2003	230.82 EUR
2	STF36542	FRONT BUMPER 156 (PROGRESSION, DISTINCTIVE) 02-04	Preis auf Anfrage
3	STF36544	FRONT BUMPER 156 GTA, YEAR >04	Preis auf Anfrage
4	STF48541	Stoßfänger vorne 156 (Impression,Pr ogression,Distincti	435.99 EUR
5	STF48545	Stoßfänger 156 vorne (Impression,Pr ogression,Distincti	539.00 EUR
6	STF58976	Stoßfänger 156 GTA vorne Bj. 04> (F acelift) mit Schein	440.10 EUR
6	STF58974	Stoßfänger 156 GTA vorne Bj. 04> (F acelift) ohne Schei	440.10 EUR
8	KG24078	OE. 156024078 GRILLE 156 RIGHT	31.90 EUR
14	STF05362	REAR BUMPER 156 SW	266.73 EUR
15	STF07950	REAR BUMPER 156	224.66 EUR
16	STF48553	Stoßfänger 156 hinten (Impression,P rogression,Distinct	409.32 EUR
17	STF58986	Stoßfänger 156 SW hinten (Impressio n,Progression,Disti	388.80 EUR
18	ZAAB39132	Zender Auspuff-Ausschnittblende 156 Serienschürze 1x90	60.73 EUR

## 156 > BODY > WINDOW REGULATOR



1	FH010126	WINDOW REGULATOR COMPLETE 156 FRONT RIGHT (AFTERMARKET	108.99 EUR
1	FH010127	WINDOW REGULATOR COMPLETE 156 FRONT LEFT (AFTERMARKET P	108.99 EUR
2	FH010128	WINDOW REGULATOR COMPLETE 156 REAR RIGHT (AFTERMARKET P	129.00 EUR
2	FH010129	WINDOW REGULATOR COMPLETE 156 REAR LEFT(AFTERMARKET PRO	129.00 EUR



1 23 038 0 0

ALFA EMBLEM 75mm METAL (ADHESIVE BONDING) 33,75,145/6,1

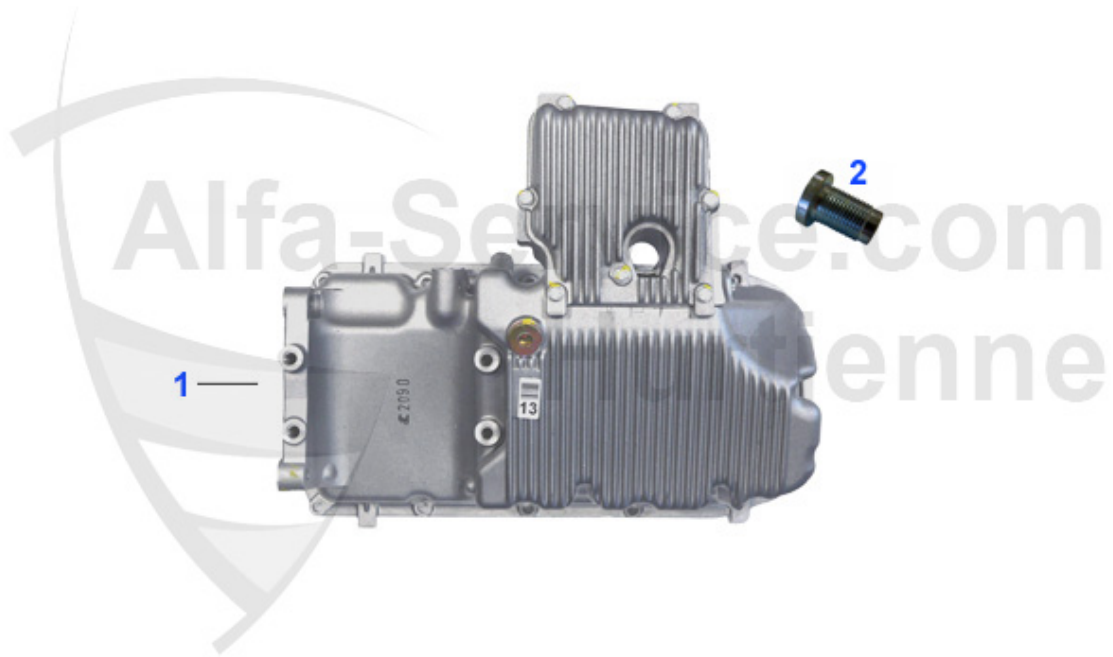
19.00 EUR

## 156 > ENGINE > AIR SYSTEM



<b>1</b>	<b>LR13829</b>	<b>OE. 71713829 ELECTRO-VALVE</b>	<b>Preis auf Anfrage</b>
<b>2</b>	<b>LMM07008</b>	<b>OE. 46407007 FLOWMETER TS 16V</b>	<b>348.99 EUR</b>
<b>2</b>	<b>LMM59804</b>	<b>OE. 46541253/60814852/46559804/55193048 0280218019,AIR</b>	<b>59.00 EUR</b>
<b>3</b>	<b>LMS93709</b>	<b>Luftmassenschlauch 147/6 u.155 4 Zylindermotoren am Luf</b>	<b>Preis auf Anfrage</b>

156 > ENGINE > ENGINE BLOCK > PIL PAN



2 OWD357

OIL DRAIN SCREW Alfa 145/6/7/155/6 GT/GTV/Spider 916/NU

7.74 EUR



1 KB24126

OE. 71713064 PISTON 1.8 TS 16V AR32201

159.01 EUR



1 KB14927

OE. 71714927 PISTON E LINER ASS 156/166 2.5 V6 24V

325.00 EUR



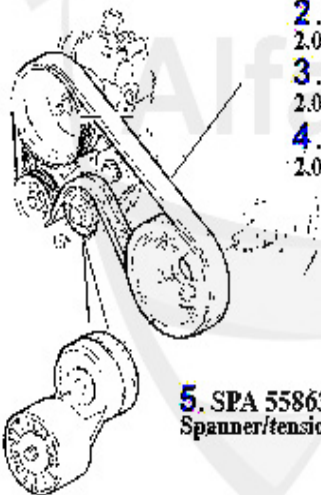
1 KB24100

OE. 5895173 PISTON 2.0 TS 16V (AR162201/32301)

184.45 EUR

## Keilriemen/V-Belt 156 TS 16V

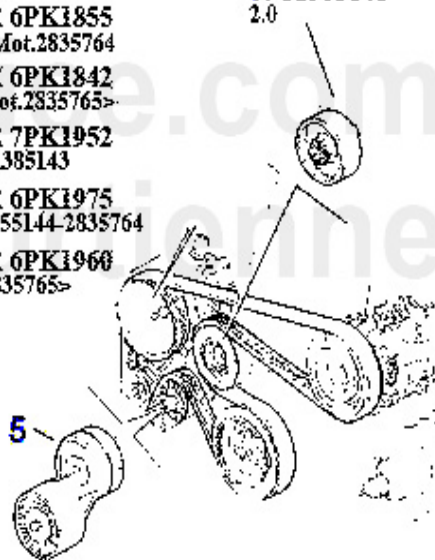
ohne/without  
Klimaanlage/AC:



1. KRR 6PK1045  
1.6/1.8
2. KRR 7PK1083  
2.0 >Mot.1385143
3. KRR 6PK1082  
2.0 Mot.1385144-2835764
4. KRR 6PK1062  
2.0 Mot.2865765>

5. SPA 55863  
Spanner/tensioner

mit/with  
Klimaanlage/AC:

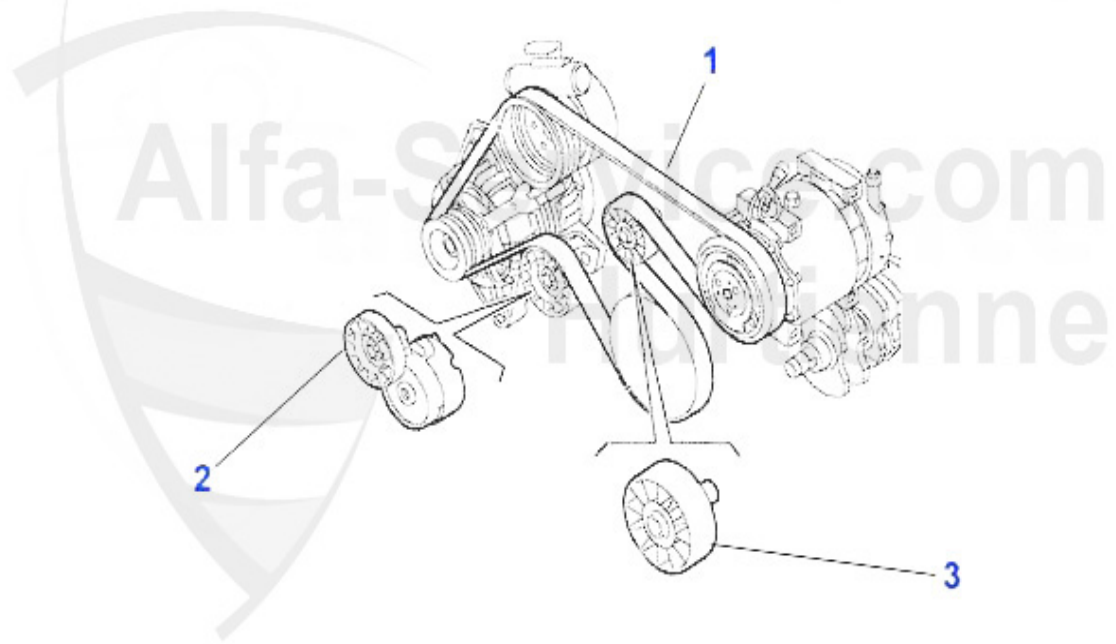


6. UR 55849  
1.6/1.8
7. UR 55848  
2.0

8. KRR 6PK1855  
1.6/1.8 >Mot.2835764
9. KRR 6PK1842  
1.6/1.8 Mot.2835765>
10. KRR 7PK1952  
2.0 >Mot.1385143
11. KRR 6PK1975  
2.0 Mot.1355144-2835764
12. KRR 6PK1960  
2.0 Mot.2835765>

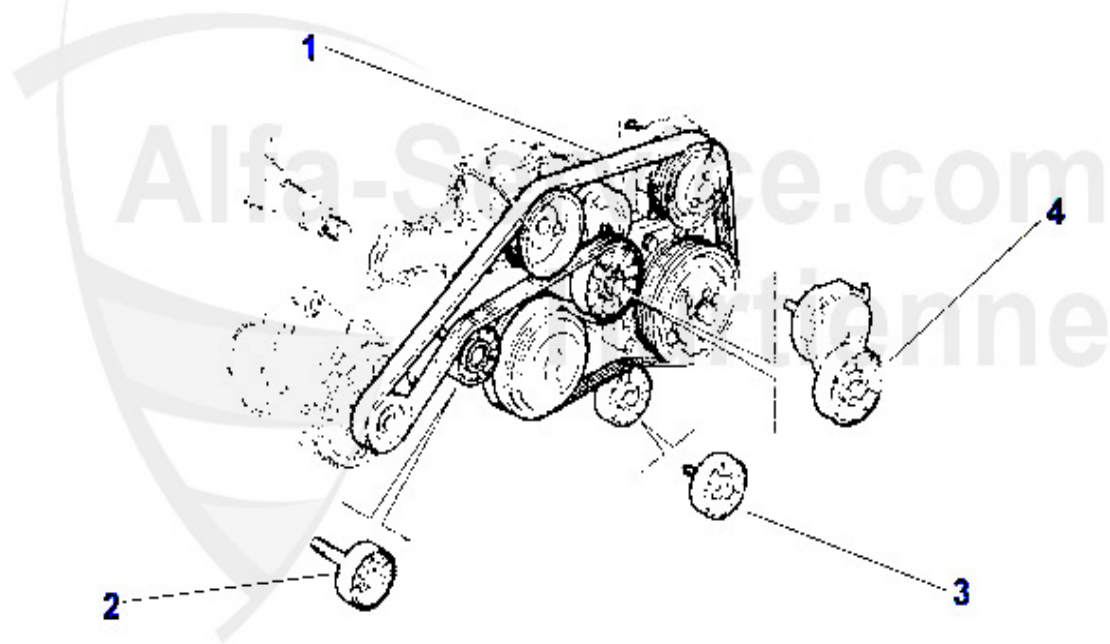
1	KRR6PK1045	Keilrippenriemen 6PK1045 145/6 Bj. 97>,155,156,gtv&spid	20.00 EUR
2	KRR7PK1083	Keilrippenriemen 7PK1083 145/6,155 156,166,gtv/spider (	35.90 EUR
3	KRR6PK1082	Keilrippemriemen 6PK1082 145/6 2.0 TS 16V,147 2.0 TS/JT	25.00 EUR
4	KRR6PK1062	Keilrippenriemen 6PK1062 147,156 2. 0 16V TS CF 3 ohne	22.50 EUR
5	SPA55863	DRIVE BELT TENSIONER 145/6/7,155/6,166,916 2.0	45.51 EUR
6	UR55849	OE.60812515,REVERSE ROLLER FOR RIPPED V-BELT 145/6/7,15	34.00 EUR
7	UR55848	DRIVE BELT BEARING 156 2.0,145,166,916	55.00 EUR
8	KRR6PK1855	V-RIBBED BELT 6PK1855,OE.60814395,145/6 1.4/1.8 TS 16V	28.50 EUR
9	KRR6PK1842	V-RIBBED BELT 6PK 1842 145/6 1,8 TS WITH A/C , 155 1,6	30.73 EUR
10	KRR7PK1952	Keilrippenriemen 7PK1952 145/6,155, gtv/spider (916) 2.	52.50 EUR
11	KRR6PK1975	OE.60815414/60630741 RIBBED V- BELT,156/166/GTV/SPIDER(	35.50 EUR
12	KRR6PK1960	RIBBED BELT 6PK1960	40.00 EUR

## Keilrippenriemen 156 JTS



<b>1</b>	<b>KRR6PK1960</b>	<b>RIBBED BELT 6PK1960</b>	<b>40.00 EUR</b>
<b>2</b>	<b>SPA55863</b>	<b>DRIVE BELT TENSIONER 145/6/7,155/6,166,916 2.0</b>	<b>45.51 EUR</b>
<b>3</b>	<b>UR55848</b>	<b>DRIVE BELT BEARING 156 2.0,145,166,916</b>	<b>55.00 EUR</b>

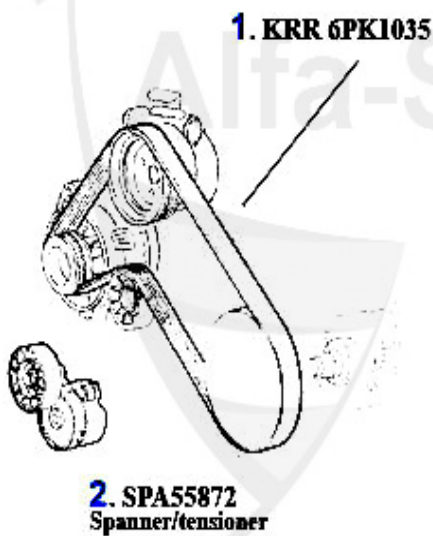
## Keilrippenriemen 156 V6 24V/GTA



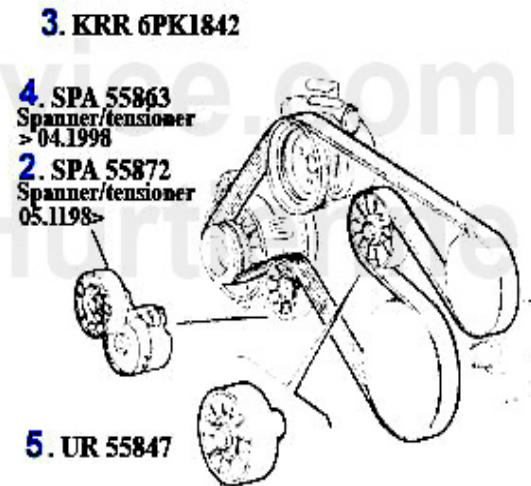
<b>1</b>	<b>KRR6PK1995</b>	<b>V-BELT 6PK1995, OE.60626658, 147/156/ 166/GTV SPIDER (9</b>	<b>29.00 EUR</b>
<b>2</b>	<b>UR55865</b>	<b>IDLER PULLEY FOR DRIVE BELT 156,166,GTV/ SPIDER (916) V</b>	<b>42.70 EUR</b>
<b>3</b>	<b>UR55867</b>	<b>IDLER PULLEY FOR DRIVE BELT 156,166, GTV/SPIDER (916) V</b>	<b>55.00 EUR</b>
<b>4</b>	<b>SR55866</b>	<b>TENSIONER PULLEY FOR DRIVE BELT 156, 166 V6 24V/GTA</b>	<b>149.00 EUR</b>

# Keilriemen/V-Belt 156 1.9 JTD 8V

ohne/without  
Klimaanlage/AC:

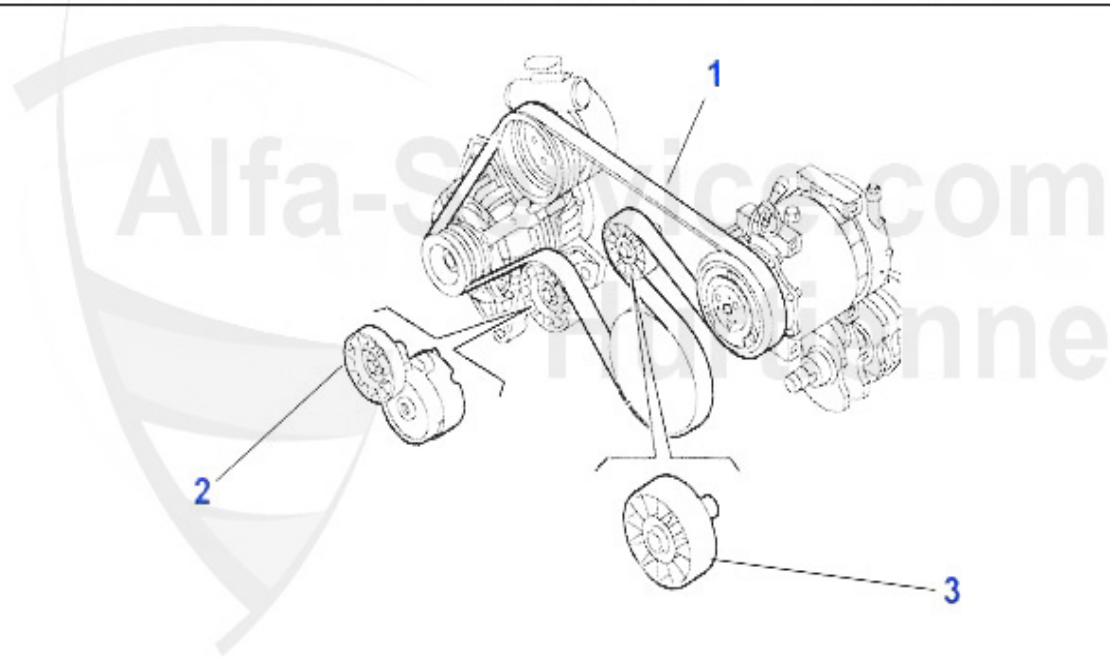


mit/with  
Klimaanlage/AC:



<b>1</b>	<b>KRR6PK1035</b>	<b>TIME BELT 6PK1035 145/6,156,147 1.9 JTD WITHOUT AC senz</b>	<b>21.75 EUR</b>
<b>2</b>	<b>SPA55872</b>	<b>Spannarm Keilrippenriemen 145/6/7, 156 1.9 JTD (81/85KW</b>	<b>44.21 EUR</b>
<b>3</b>	<b>KRR6PK1842</b>	<b>V-RIBBED BELT 6PK 1842 145/6 1,8 TS WITH A/C , 155 1,6</b>	<b>30.73 EUR</b>
<b>4</b>	<b>SPA55863</b>	<b>DRIVE BELT TENSIONER 145/6/7,155/6,166,916 2.0</b>	<b>45.51 EUR</b>
<b>5</b>	<b>UR55847</b>	<b>Umlenkrolle f. Keilrippenriemen 145 /6,147,156 1.9 JTD</b>	<b>30.68 EUR</b>

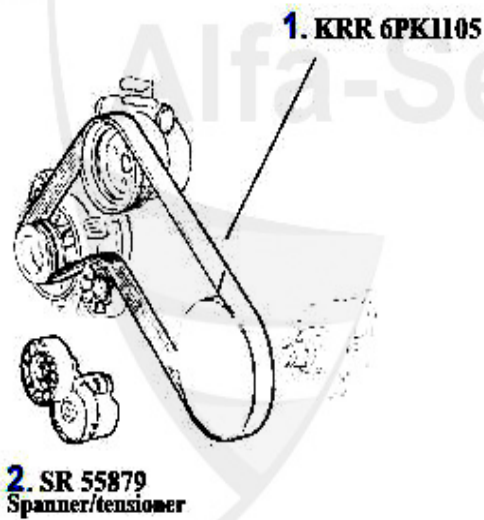
## Keilriemen/V-Belt 156 1.9 JTD 16V



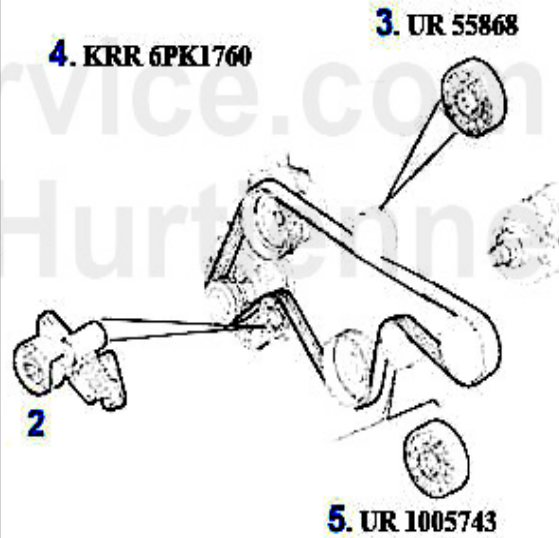
<b>1</b>	<b>KRR6PK1842</b>	<b>V-RIBBED BELT 6PK 1842 145/6 1,8 TS WITH A/C , 155 1,6</b>	<b>30.73 EUR</b>
<b>2</b>	<b>SPA55872</b>	<b>Spannarm Keilrippenriemen 145/6/7, 156 1.9 JTD (81/85KW</b>	<b>44.21 EUR</b>
<b>3</b>	<b>UR55847</b>	<b>Umlenkrolle f. Keilrippenriemen 145 /6,147,156 1.9 JTD</b>	<b>30.68 EUR</b>

# Keilriemen/V-Belt 156 2.4 JTD 10V

ohne/without  
Klimaanlage/AC:

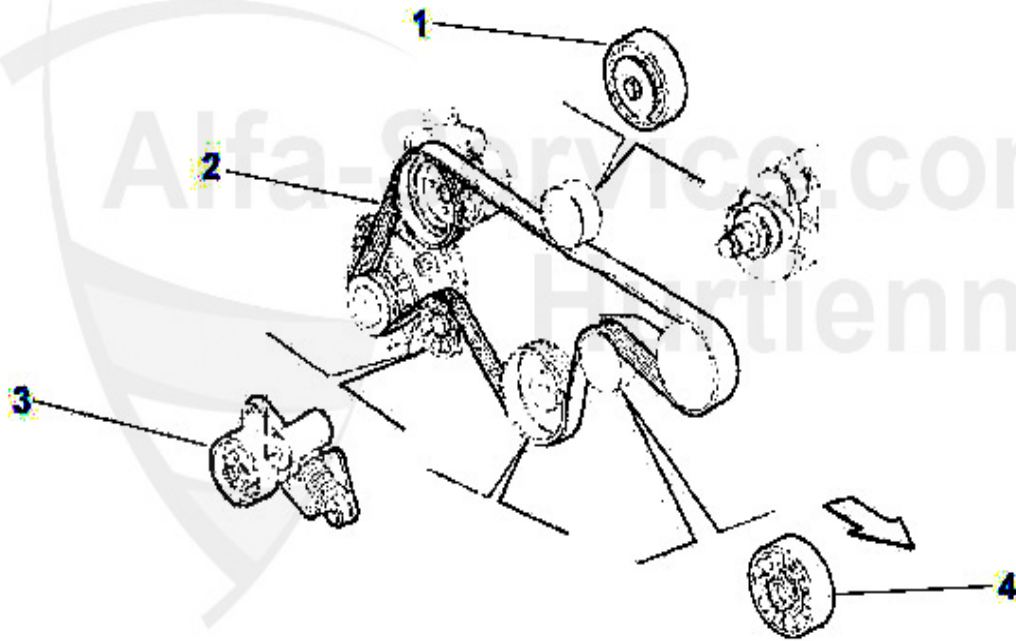


mit/with  
Klimaanlage/AC:



<b>1</b>	<b>KRR6PK1105</b>	Keilrippenriemen 6PK1105 156 2.4JTD ohne Klima,Generato	<b>26.06 EUR</b>
<b>2</b>	<b>SR55879</b>	Riemenspanner Keilrippenriemen 156/ 166 2.4 JTD	<b>173.37 EUR</b>
<b>3</b>	<b>UR55868</b>	IDLER PULLEY RIBBED DRIVE BELT 156/166 2.4 JTD (WITH AC	<b>40.01 EUR</b>
<b>4</b>	<b>KRR6PK1760</b>	Keilrippenriemen 6PK1760 156 2.4JTD Generator/Servopump	<b>28.00 EUR</b>
<b>5</b>	<b>UR1005743</b>	Umlenkrolle Keilrippenriemen 156 2.4 JTD	<b>50.27 EUR</b>

## Keilriemen/V-Belt 156 2.4 JTD 20V



1	UR55868	IDLER PULLEY RIBBED DRIVE BELT 156/166 2.4 JTD (WITH AC	40.01 EUR
2	KRR6PK1760	Keilrippenriemen 6PK1760 156 2.4JTD Generator/Servopump	28.00 EUR
3	SR55879	Riemenspanner Keilrippenriemen 156/ 166 2.4 JTD	173.37 EUR
4	UR1005743	Umlenkrolle Keilrippenriemen 156 2.4 JTD	50.27 EUR

# Kraftstoffpumpe/Fuel Pump 156 TS

1. KP 6505  
1.6 TS >#0084340

2. KP 6501  
1.6 TS >#0084341/  
1.8/2.0 CF 2



3. KP 6510  
1.6/1.8/2.0 CF3



1	KP6505	OE. 60652212 FUEL PUMP 156 1.6 TS > #0084340	252.36 EUR
3	KP6510	OE. 60654919/60682368 FUEL PUMP 156, Nuovo GT 1.6/1.8/2	245.00 EUR

156 > ENGINE > FUEL SYSTEM > 2.0 JTS > FUEL PUMP



1 KP6841

OE.60677545 Fuelpump 156 2,0 JTS (932AXA/9321BXA) 122KW

216.46 EUR

Kraftstoffpumpe/Fuel Pump 156 2.5 V6 24V/GTA

---



---

1 KP6510

OE. 60654919/60682368 FUEL PUMP 156, Nuovo GT 1.6/1.8/2

245.00 EUR

# Kraftstoffpumpe/Fuel Pump 156 1.9 JTD 8V

---



1 . KP 6562  
CF 2, >09.2000

2 . KP 6569  
CF 3, 10.2000>

1	KP6562	OE. 60664114 FUEL PUMP 156 1.9 JTD 8V > 09.2000	203.12 EUR
2	KP6569	OE. 60667034 FUEL PUMP 156 1.9/2.4 JTD 8/10V,16V/20V CF	220.55 EUR

## Kraftstoffpumpe/Fuel Pump 156 1.9 JTD 16V

---



1 KP6569

OE. 60667034 FUEL PUMP 156 1.9/2.4 JTD 8/10V,16V/20V CF

220.55 EUR

# Kraftstoffpumpe/Fuel Pump 156 2.4 JTD 10V

---



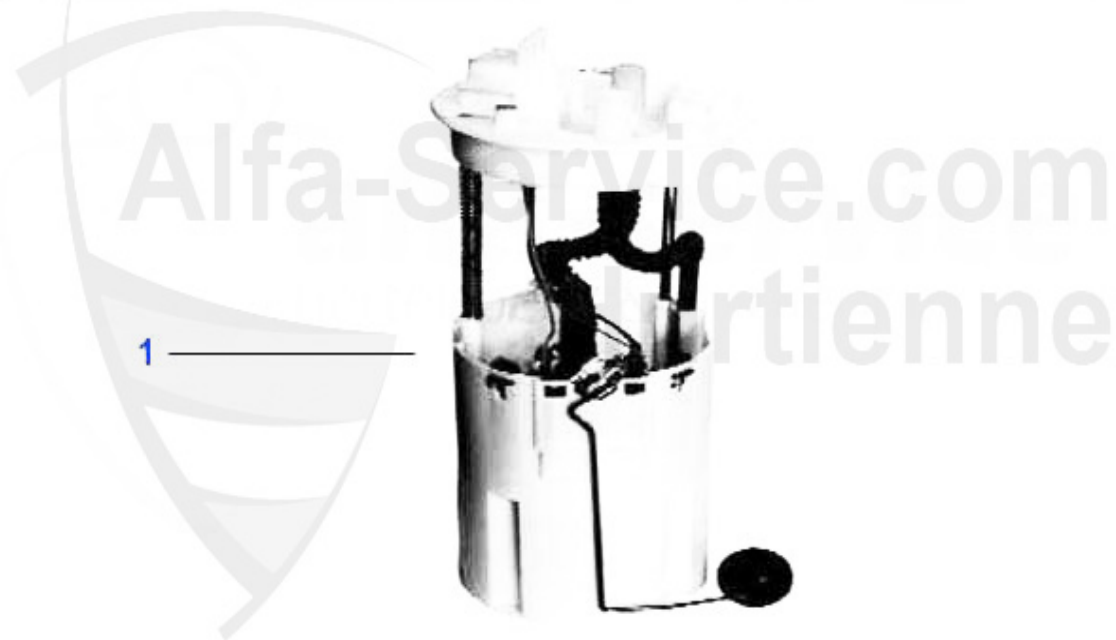
1 . KP 6562  
CF 2, >09.2000

2 . KP 6569  
CF 3, 10.2000>

1	KP6562	OE. 60664114 FUEL PUMP 156 1.9 JTD 8V > 09.2000	203.12 EUR
2	KP6569	OE. 60667034 FUEL PUMP 156 1.9/2.4 JTD 8/10V,16V/20V CF	220.55 EUR

## Kraftstoffpumpe/Fuel Pump 156 2.4 JTD 20V

---



1 KP6569

OE. 60667034 FUEL PUMP 156 1.9/2.4 JTD 8/10V,16V/20V CF

220.55 EUR

## Dichtungen Motor/Gaskets Engine 156 TS 16V



1. VDD 5400

2. WD 08200  
Ansaß/exhaust  
30x42x7 mm

3. WD 55300  
Einlaß/intake  
55x68x8 mm



4. ASKD 59747



5. AGKD 02761

6. WD 55200  
31x41x7 mm

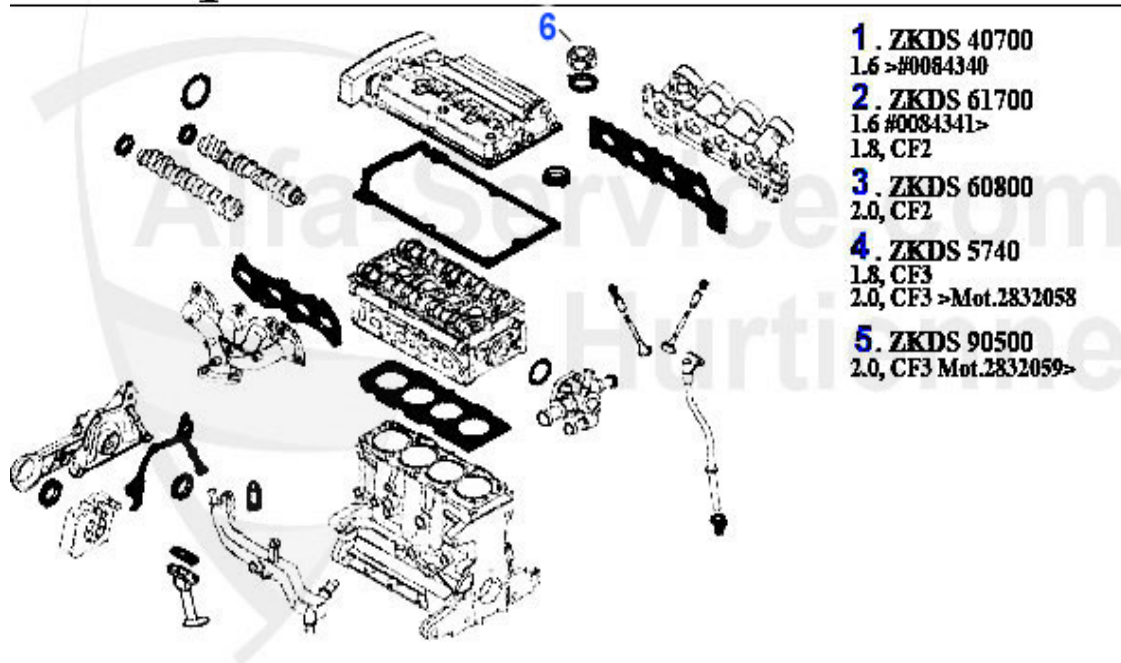


7. WD 0800



1	VDD5400	CAM COVER GASKET FOR PLASTIC COVER 145/6 , 156 GTV/ SPI	33.50 EUR
2	WD08200	CAMSHAFT 145/6,155,156,GTV/SPIDER (916), 166 VARIOUS 96	15.51 EUR
3	WD55300	CAMSHAFT OIL SEAL 145/6,155,156 1.6,1.7, 1.8,2.0 16V TS	17.90 EUR
4	ASKD59747	INTAKE MANIFOLD GASKET 145/6,147,155, 156,166,GTV/SPIDE	25.13 EUR
5	AGKD02761	EXHAUST MANIFOLD GASKET 145/6,147,155, 156,166,GTV/SPID	24.00 EUR
6	WD55200	OE.7628850 oil seal crankshaft front	10.31 EUR
7	WD0800	OIL SEAL CRANKSHAFT REAR (FLYWHEEL) 147 1.6 TS 16V/1.9	47.50 EUR

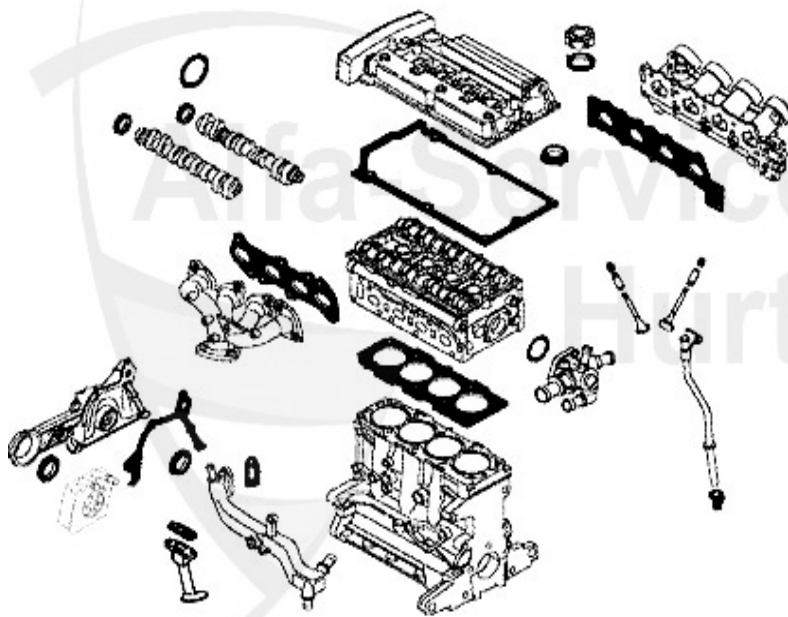
# Kopfsatz/Head Set 156 TS 16V



- 1. ZKDS 40700**  
1.6 > #0084340
- 2. ZKDS 61700**  
1.6 #0084341 >  
1.8, CF2
- 3. ZKDS 60800**  
2.0, CF2
- 4. ZKDS 5740**  
1.8, CF3  
2.0, CF3 > Mot. 2832058
- 5. ZKDS 90500**  
2.0, CF3 Mot. 2832059 >

<b>1</b>	<b>ZKDS40700</b>	<b>Kopfdichsatz 145/6,155,156,166 1.6-2.0 ie 16V TS Bj. &gt;9</b>	<b>108.74 EUR</b>
<b>2</b>	<b>ZKDS61700</b>	<b>OE. 71713631 HEADSET</b>	<b>132.34 EUR</b>
<b>3</b>	<b>ZKDS60800</b>	<b>HEAD GASKET SET 145/6,156,GTV/SPIDER (916) 2.0 16V TS 9</b>	<b>111.82 EUR</b>
<b>4</b>	<b>ZKDS5740</b>	<b>OE. 71717685 HEAD SET 147,156,Nuovo GT 1.8/2.0 TS CF3</b>	<b>189.00 EUR</b>
<b>5</b>	<b>ZKDS90500</b>	<b>HEAD GASKET SET 166 2.0 TS CF3 110 KW #2557365 &gt;</b>	<b>132.34 EUR</b>
<b>6</b>	<b>OED003</b>	<b>Öleinfülldeckel z.schrauben TS Motoren 145/147/155/156/</b>	<b>49.50 EUR</b>

# Motordichtsatz/Full Set 156 TS 16V

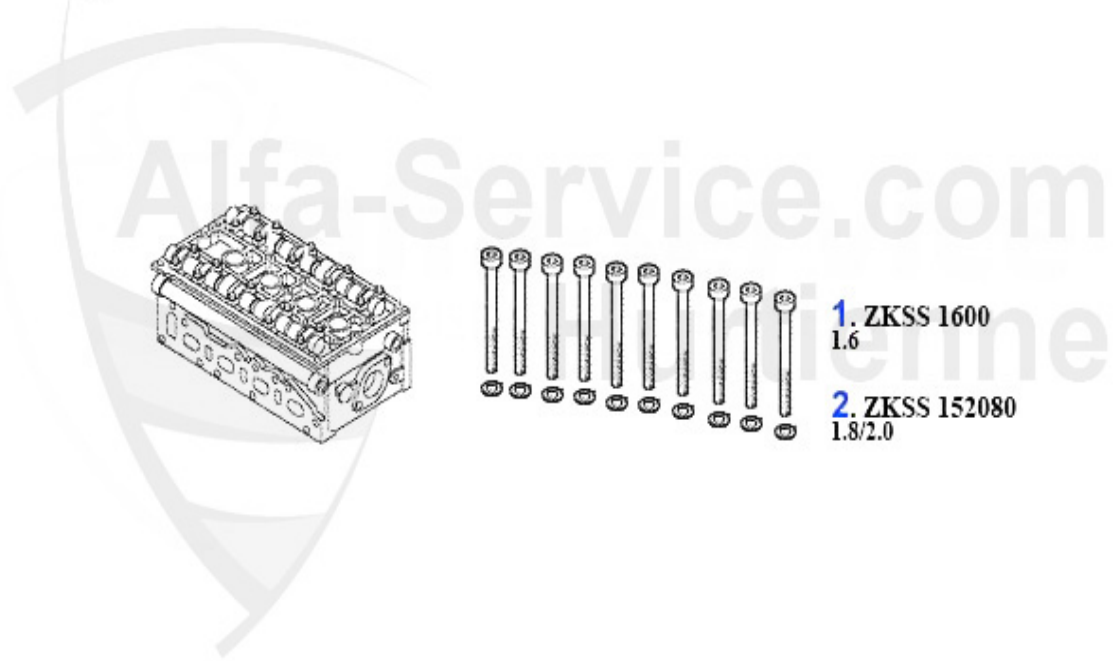


- 1. MDS 54200**  
1.6 >#0084340
- 2. MDS 74900**  
1.6 #0084341>  
1.8, CF2
- 3. MDS 74000**  
2.0, CF2
- 4. MDS 3100**  
1.8, CF3  
2.0, CF3 >Mot.2832058
- 5. MDS 6600**  
2.0, CF3 Mot.2832059>

<b>1</b>	<b>MDS54200</b>	<b>ENGINE GASKET SET 145/6,55,156,166 1.6- 1.8 TS 16V &gt;98</b>	<b>155.00 EUR</b>
<b>2</b>	<b>MDS74900</b>	<b>Motordichtsatz 145/6,156,gtv/spider (916) 1.6 - 1.8 16V</b>	<b>155.00 EUR</b>
<b>3</b>	<b>MDS74000</b>	<b>ENGINE GASKET SET 145/6,156,GTV/SPIDER (916) 2.0 16V TS</b>	<b>159.00 EUR</b>
<b>4</b>	<b>MDS3100</b>	<b>ENGINE GASKET SET 166 2.0 TS CF3 110 KW &gt; #2557364</b>	<b>229.00 EUR</b>
<b>5</b>	<b>MDS6600</b>	<b>ENGINE GASKET SET 166 2.0 TS CF3 110 KW #2557365 &gt;</b>	<b>163.11 EUR</b>
<b>6</b>	<b>OED003</b>	<b>Öleinfülldeckel z.schrauben TS Motoren 145/147/155/156/</b>	<b>49.50 EUR</b>

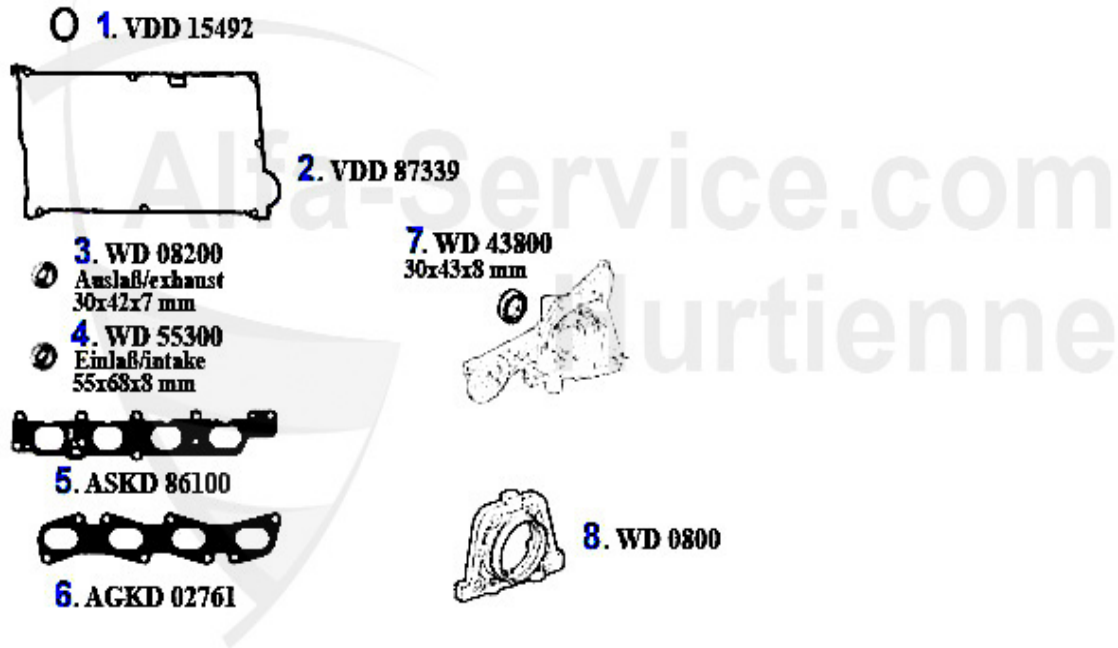
## Kopfschraubensatz/Head Srew Set 156 TS 16V

---



<b>1</b>	<b>ZKSS1600</b>	<b>HEAD SCREW SET 145/6,1.4/1.6 TS 16V YEAR 96-01,147 1.6</b>	<b>54.50 EUR</b>
<b>2</b>	<b>ZKSS152080</b>	<b>HEAD SCREW SET 145/6,147,155,156,166, GTV/SPIDER(916),N</b>	<b>69.00 EUR</b>

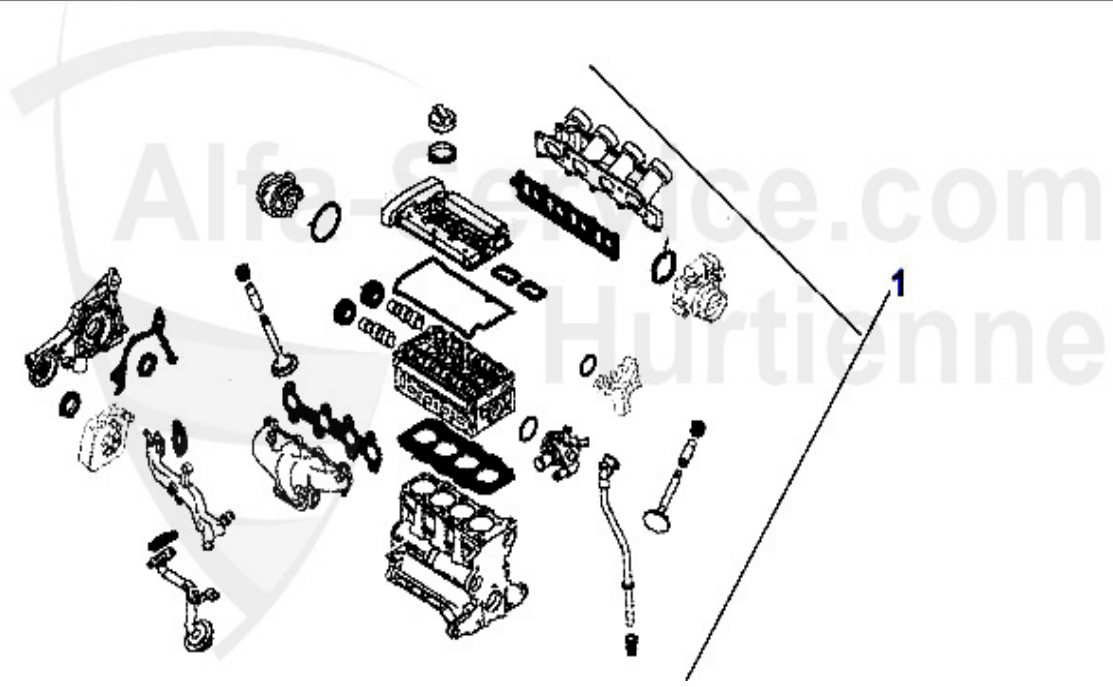
## Dichtungen Motor/Gaskets Engine 156 2.0 JTS



1	VDD15492	Kerzenschachtdichtung TS 16V	3.69 EUR
2	VDD87339	VALVE COVER SEAL 2.0 JTS 156,GTV/SPIDER (916),NUOVO GT	35.00 EUR
3	WD08200	CAMSHAFT 145/6,155,156,GTV/SPIDER (916), 166 VARIOUS 96	15.51 EUR
4	WD55300	CAMSHAFT OIL SEAL 145/6,155,156 1.6,1.7, 1.8,2.0 16V TS	17.90 EUR
5	ASKD86100	Ansaugkrümmerdichtung 156,gtv / spider (916), Nuovo GT	57.49 EUR
6	AGKD02761	EXHAUST MANIFOLD GASKET 145/6,147,155, 156,166,GTV/SPID	24.00 EUR
7	WD43800	Siri Kurbelwelle vorne (Riemensch.) 145/6 1.9 TD Bj. 94	9.75 EUR
8	WD0800	OIL SEAL CRANKSHAFT REAR (FLYWHEEL) 147 1.6 TS 16V/1.9	47.50 EUR

# Kopfdichtsatz/Head Set 156 2.0 JTS

---

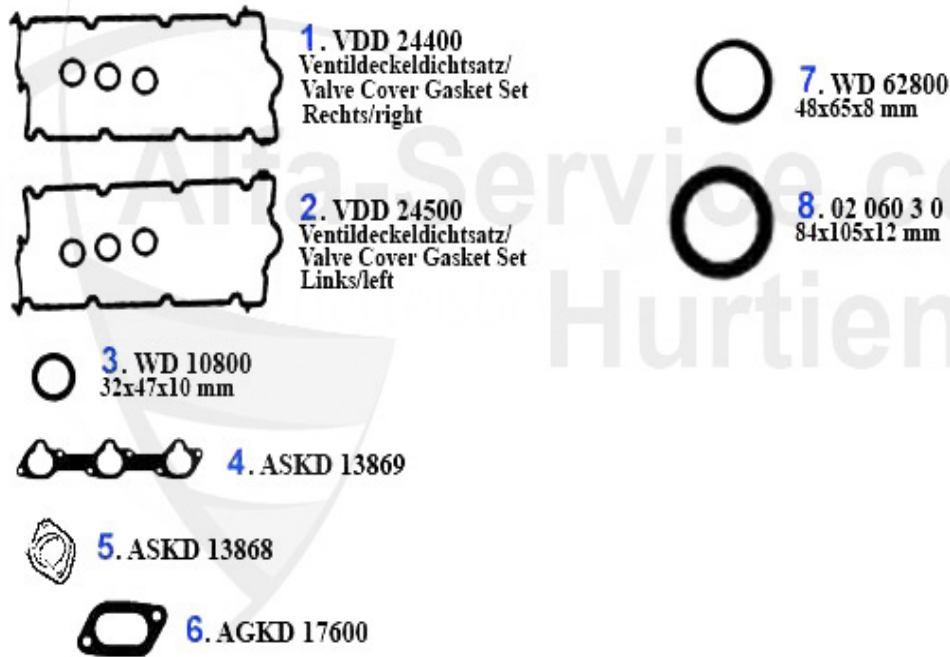


1 ZKDS11600

HEAD GASKET SET 156,GTV/SPIDER (916) NUOVO GT 2.0 JTS

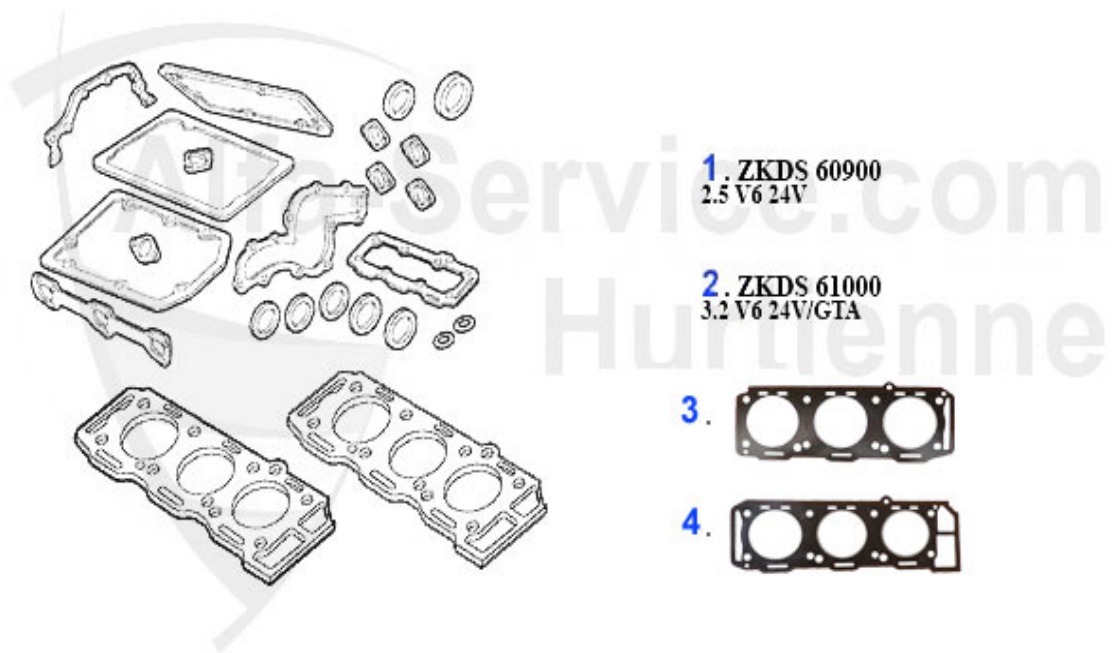
179.00 EUR

## Dichtungen Motor/Gaskets Engine 156 V6 24V/GTA



1	VDD24400	RIGHT CAM COVER GASKET 147,156,166,166, GTV/SPIDER (916)	42.49 EUR
2	VDD24500	LEFT CAM COVER GASKET 147,156,166, GTV/SPIDER (916),NUO	42.49 EUR
4	ASKD13869	INTAKE MANIFOLD GASKET 147,156,164/ SUPER,166,GTV/SPIDE	7.15 EUR
5	ASKD13868	OE. 60513868 Sealing Gasket	5.90 EUR
6	AGKD17600	Abgaskrümmerdichtung 156,164/Super, 166,gtv/spider (916)	9.50 EUR
7	WD62800	OIL SEAL CRANKSHAFT FRONT (PULLEY) 156, 166 V6	16.51 EUR
8	02 060 3 0	OIL SEAL CORTECO (84/105/12) CRANKSHAFT REAR for Spider	35.50 EUR
8	02 060 3 5	OIL SEAL (84/105/12) CRANKSHAFT REAR Spider 1990-93, 75	44.90 EUR

156 > ENGINE > ENGINE GASKETS > 2.5/3.2 V6 24V/GTA > HAED SET



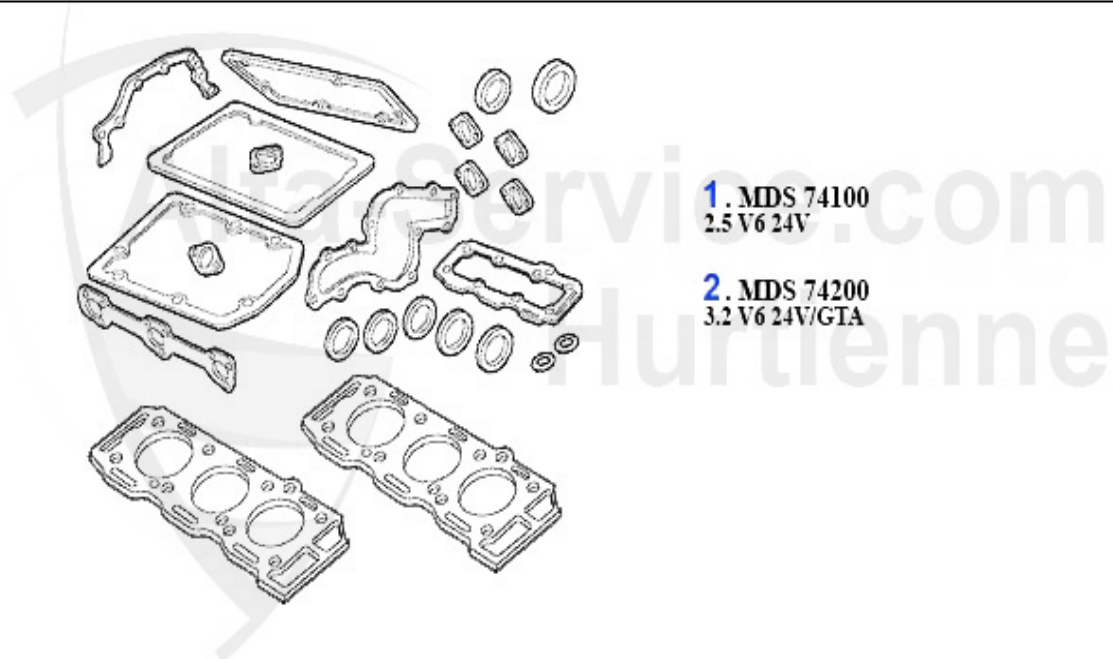
1. ZKDS 60900  
2.5 V6 24V

2. ZKDS 61000  
3.2 V6 24V/GTA



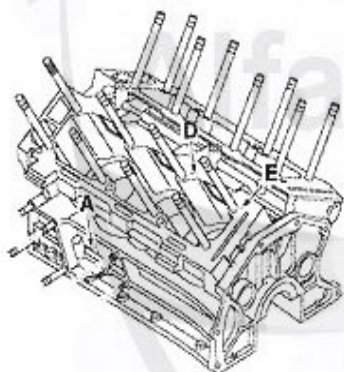
1	ZKDS60900	HEAD GASKET SET 156,166 2.5 V6 24V	334.90 EUR
2	ZKDS61000	HEAD GASKET SET 147,156,166,GTV/SPIDER (916),NUOVO GT V	279.00 EUR
3	ZKD7475	CYLINDER HEAD GASKET V6-24V LEFT 147,156,166,GT+SPIDER	55.00 EUR
4	ZKD7290	CYLINDER HEAD GASKET RIGHT 147,156,166,GT+SPIDER 916, V	59.50 EUR

## Motordichtsatz/Full Set 156 V6 24V/GTA



1	MDS74100	ENGINE GASKET SET 156,166 2.5 V6 24V	258.52 EUR
2	MDS74200	OE.71713724 FULL SET 147,156,166, GTV/SPIDER(916),NOUVO	399.00 EUR

## Kopfschraubensatz/Head Srew Set 156 V6 24V/GTA



1. ZKSS 8200

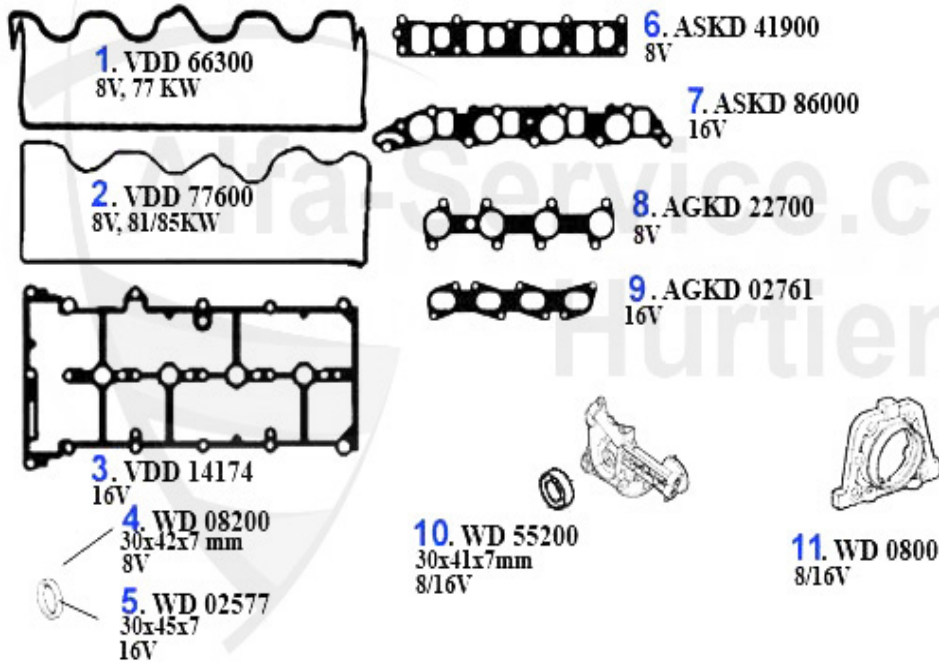


1 ZKSS8200

STUD-SET CYLINDER HEAD # 605 13 756 8 Pcs.

115.00 EUR

## Dichtungen Motor/Gaskets Engine 156 1.9 JTD



1	VDD66300	Ventildeckeldichtung 145/6,156 1.9 JTD CF2 Bj. 97-01 7	11.19 EUR
2	VDD77600	Ventildeckeldichtung 147,156 1.9 JT D 8V 81/85 KW	13.23 EUR
3	VDD14174	Ventildeckeldichtung 147,156,Nuovo GT 1.9 JTD 16V	21.03 EUR
4	WD08200	CAMSHAFT 145/6,155,156,GTV/SPIDER (916), 166 VARIOUS 96	15.51 EUR
5	WD02577	CRANKSHAFT OIL SEAL 147,156,166,NUOVO GT 1.9/2.4 JTD 16	5.90 EUR
6	ASKD41900	Ansaugkr	23.05 EUR
7	ASKD86000	Ansaugkr	20.99 EUR
8	AGKD22700	Abgaskr	19.99 EUR
9	AGKD02761	EXHAUST MANIFOLD GASKET 145/6,147,155, 156,166,GTV/SPID	24.00 EUR
10	WD55200	OE.7628850 oil seal crankshaft front	10.31 EUR
11	WD0800	OIL SEAL CRANKSHAFT REAR (FLYWHEEL) 147 1.6 TS 16V/1.9	47.50 EUR

# Kopfdichtung/Head Gasket 156 1.9 JTD



**1. ZKD 20100**

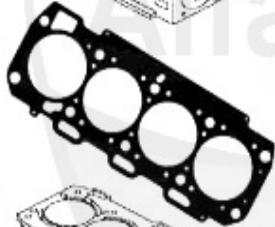
8V, 77KW  
1,60 mm

**2. ZKD 20110**

8V, 77KW  
1,70 mm

**3. ZKD 20120**

8V, 77KW  
1,80 mm



**4. ZKD 23900**

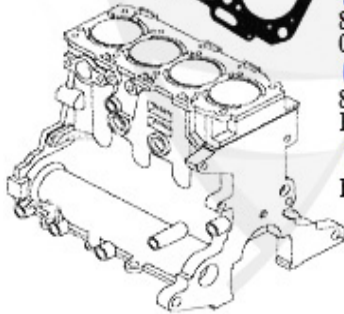
8V, 81/85KW  
0,82 mm

**5. ZKD 23910**

8V, 81/85KW  
0,92 mm

**6. ZKD 23920**

8V, 81/85KW  
1,02 mm



**7. ZKD 52500**

16V - 0,82 mm

**8. ZKD 52510**

16V - 0,92 mm

**9. ZKD 52520**

16V - 1,02 mm

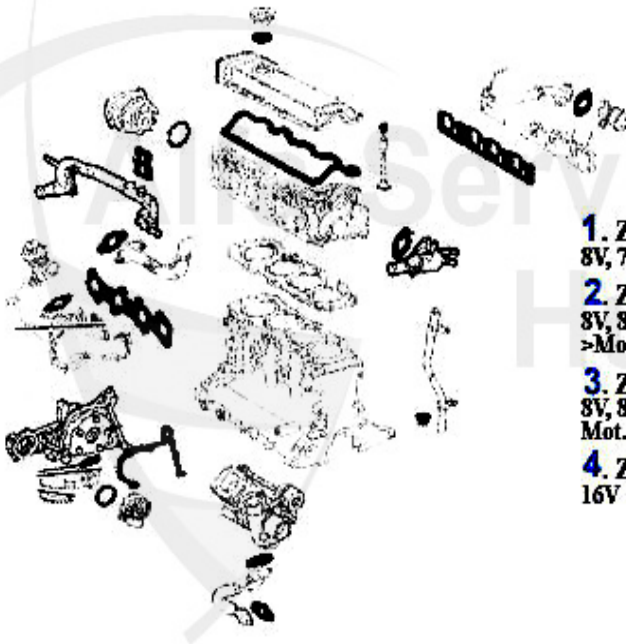
## Achtung/Attention:

Beim Bestellen der Kopfdichtung bitte auf die entsprechende Markierung achten!

Before you order the headgasket, please note the marking!

<b>1</b>	<b>ZKD20100</b>	Kopfdichtung 145/6,156 1.9 JTD Bj. 97-01 1.60 mm 0 ker	<b>90.70 EUR</b>
<b>2</b>	<b>ZKD20110</b>	Kopfdichtung 145/6,156 1.9 JTD Bj. 97-01 Dicke: 1.70 mm	<b>52.32 EUR</b>
<b>3</b>	<b>ZKD20120</b>	Kopfdichtung 145/6,156 1.9 JTD Bj. 97-01 dicke: 1.80 mm	<b>52.32 EUR</b>
<b>4</b>	<b>ZKD23900</b>	Kopfdichtung 147,156 1.9 JTD 8V 81/ 85KW ACHTUNG: auf M	<b>40.01 EUR</b>
<b>5</b>	<b>ZKD23910</b>	Kopfdichtung 147,156 1.9 JTD 8V 81/ 85KW ACHTUNG: auf M	<b>43.09 EUR</b>
<b>6</b>	<b>ZKD23920</b>	Kopfdichtung 147,156 1.9 JTD 8V 81/ 85KW ACHTUNG: auf M	<b>45.14 EUR</b>
<b>7</b>	<b>ZKD52500</b>	Kopfdichtung 147,156,Nuovo GT 1.9 JTD 16V ACHTUNG: auf	<b>62.00 EUR</b>
<b>8</b>	<b>ZKD52510</b>	Kopfdichtung 147,156,Nuovo GT 1.9 JTD 16V ACHTUNG: auf	<b>60.52 EUR</b>
<b>9</b>	<b>ZKD52520</b>	Kopfdichtung 147,156,Nuovo GT 1.9 JTD 16V ACHTUNG: auf	<b>64.12 EUR</b>

# Kopfdichtsatz/Head Set 156 1.9 JTD



## Achtung/Attention:

Ohne Kopfdichtung, Kopfdichtung  
bitte separat bestellen!

Without Headgasket, please order it  
separately

**1. ZKDS 10400**  
8V, 77 KW

**2. ZKDS 1200**  
8V, 81/85KW  
>Mot.4081111

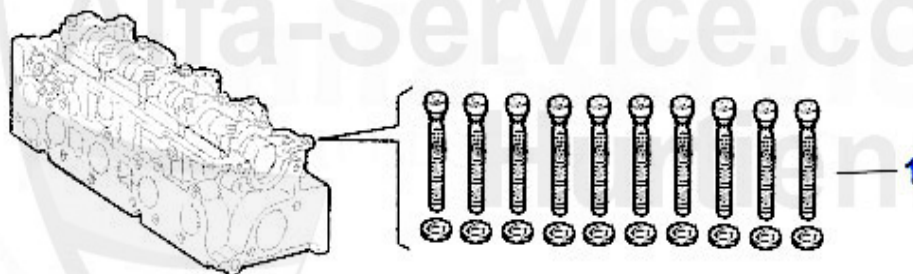
**3. ZKDS 9971**  
8V, 85KW  
Mot.4081112>

**4. ZKDS 16700**  
16V

<b>1</b>	ZKDS10400	HEAD GASKET SET 145/6,156 1.9 JTD 97-01 WITHOUT HEAD GA	<b>60.52 EUR</b>
<b>2</b>	ZKDS1200	Kopfdichtsatz (ohne ZKD) 147,156 1,9 JTD 8V 81/85 KW >Mo	<b>70.78 EUR</b>
<b>3</b>	ZKDS9971	Kopfdichtsatz (ohne ZKD) 147,156 1.9 JTD 8V 81/85KW Mot.	<b>Preis auf Anfrage</b>
<b>4</b>	ZKDS16700	HEAD GASKET SET (WITHOUT HEAD GASKET) 147,156,NUOVO GT	<b>122.08 EUR</b>

## Kopfschraubensatz/Head Srew Set 156 1.9 JTD

---

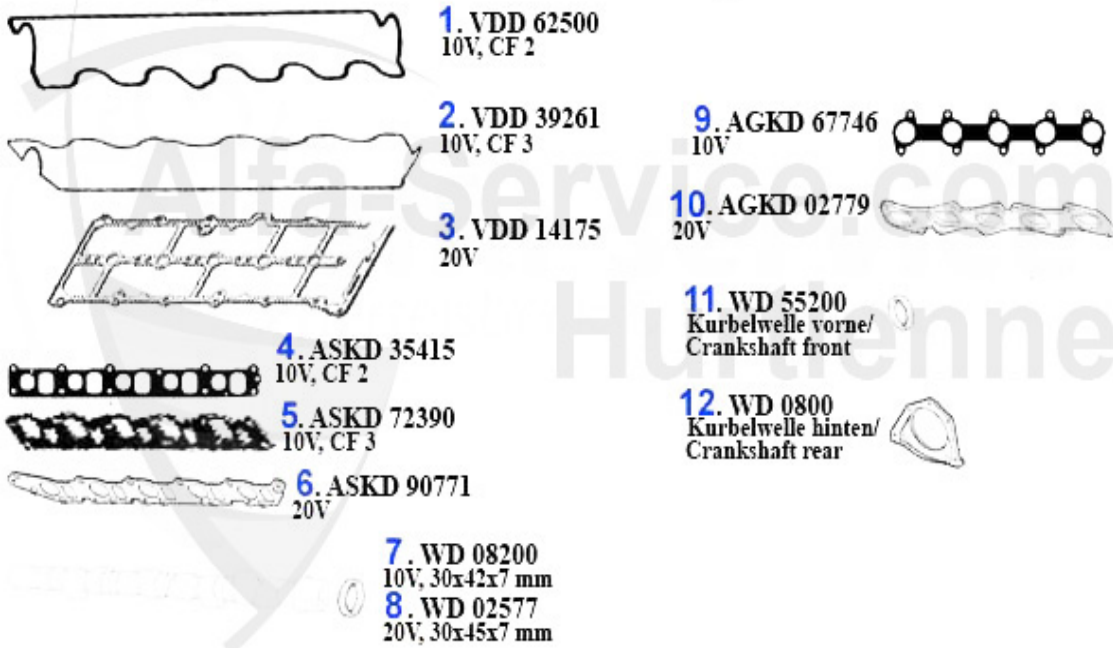


1 ZKSS0300

HEAD SCREW SET 145/6,147,156 1.9 JTD 8V 74/85 KW

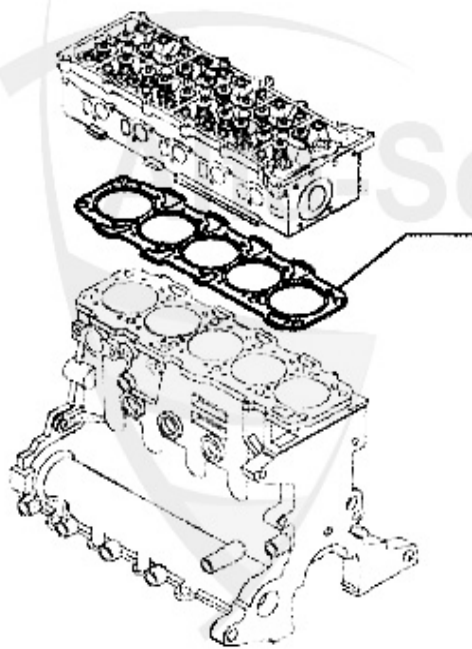
49.00 EUR

## Dichtungen Motor/Gaskets Engine 156 2.4 JTD



1	VDD62500	Ventildeckeldichtung 156,166 2.4 JTD CF 2 Bj. 09.97-10.	14.26 EUR
2	VDD39261	OE. 46739261/60816566 Gasket	17.34 EUR
3	VDD14175	OE. 46814175 Gasket	22.05 EUR
4	ASKD35415	OE. 60814987/7735415 Gasket	17.85 EUR
5	ASKD72390	Ansaugkr	17.96 EUR
6	ASKD90771	OE. 55190771 Gasket	35.58 EUR
7	WD08200	CAMSHAFT 145/6,155,156,GTV/SPIDER (916), 166 VARIOUS 96	15.51 EUR
8	WD02577	CRANKSHAFT OIL SEAL 147,156,166,NUOVO GT 1.9/2.4 JTD 16	5.90 EUR
9	AGKD67746	OE. 60813631/46414437/46467746 Gasket	12.83 EUR
10	AGKD02779	OE. 73502779 Gasket	16.62 EUR
11	WD55200	OE.7628850 oil seal crankshaft front	10.31 EUR
12	WD0800	OIL SEAL CRANKSHAFT REAR (FLYWHEEL) 147 1.6 TS 16V/1.9	47.50 EUR

# Kopfdichtung/Headgasket 156 2.4 JTD



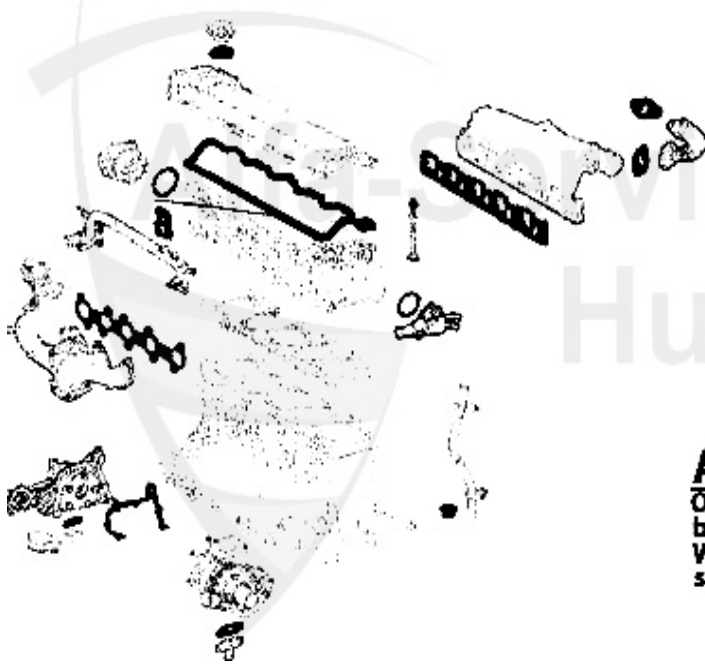
## Achtung/Attention:

Beim Bestellen der Kopfdichtung bitte auf die entsprechende Markierung achten!  
Before you order the headgasket, please note the marking!

- |  |  |
|--|--|
| <b>1.</b> ZKD 20200<br>10V, CF2, 1,60 mm | <b>4.</b> ZKD 37200<br>10V, CF3, 0,82 mm |
| <b>2.</b> ZKD 20210<br>10V, CF2, 1,70 mm | <b>5.</b> ZKD 37210<br>10V, CF3, 0,92 mm |
| <b>3.</b> ZKD 20210<br>10V, CF2, 1,80 mm | <b>6.</b> ZKD 37220<br>10V, CF3, 1,02 mm |
| <b>7.</b> ZKD 90353<br>20V, 0,82 mm      |  |
| <b>8.</b> ZKD 90354<br>20V, 0,92 mm      |  |
| <b>9.</b> ZKD 90355<br>20V, 1,02 mm      |  |

<b>1</b>	ZKD20200	Kopfdichtung 156,166 2.4 JTD Bj. 97-00 Dicke: 1.60 mm 0	<b>91.90 EUR</b>
<b>2</b>	ZKD20210	OE.60814967, HEAD GASKET 156,166 2.4 JTD 97-00, THICKNE	<b>91.30 EUR</b>
<b>3</b>	ZKD20220	Kopfdichtung 156,166 2.4 JTD Bj. 97-00 Dicke: 1.80 mm 2	<b>91.30 EUR</b>
<b>4</b>	ZKD37200	Kopfdichtung 156,166 2.4 JTD CF3 103/110 KW ACHTUNG: au	<b>70.78 EUR</b>
<b>5</b>	ZKD37210	Kopfdichtung 156,166 2.4 JTD CF3 103/110 KW ACHTUNG: au	<b>70.78 EUR</b>
<b>6</b>	ZKD37220	Kopfdichtung 156,166 2.4 JTD CF3 103/110 KW ACHTUNG: au	<b>81.04 EUR</b>
<b>7</b>	ZKD90353	Kopfdichtung 156,166 2.4 JTD 129 KW ACHTUNG: auf Markie	<b>56.42 EUR</b>
<b>8</b>	ZKD90354	HEAD GASKET 156,166 2.4 JTD 129 KW CAUTION! PLEASE CHEC	<b>83.75 EUR</b>
<b>9</b>	ZKD90355	HEAD GASKET 156,166 2.4 JTD 129 KW CAUTION! PLEASE CHEC	<b>86.25 EUR</b>

## Kopfdichtsatz/Head Set 156 2.4 JTD



**1. ZKDS 10500**  
10V, CF2

**2. ZKDS 14300**  
10V, CF3

**3. ZKDS 34259**  
20V

### **Achtung/Attention:**

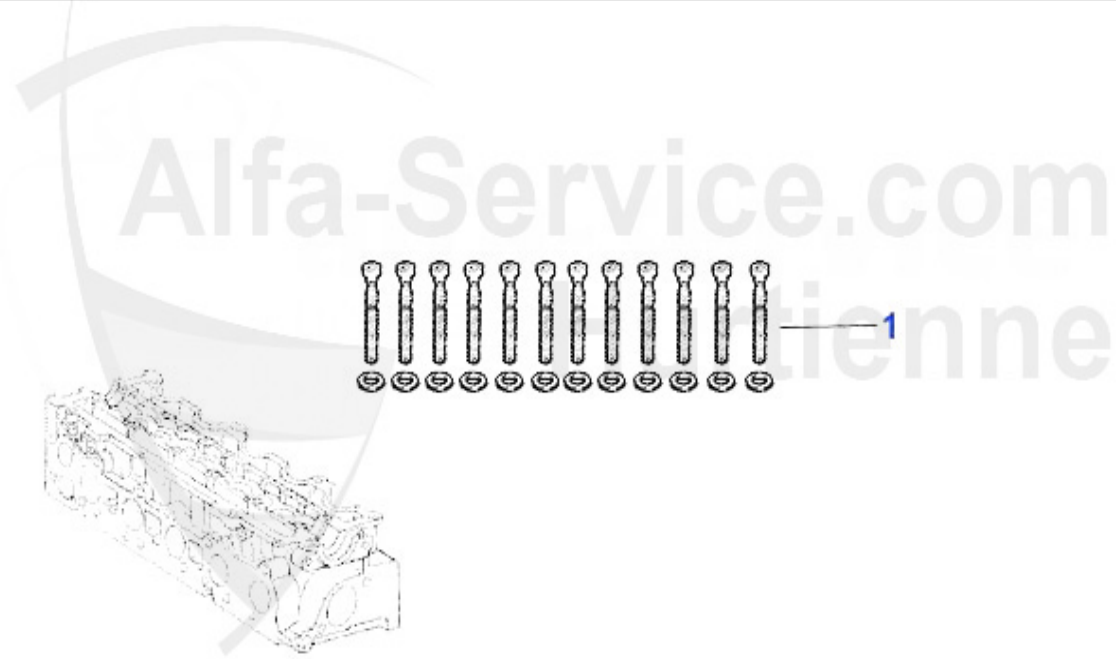
Ohne Kopfdichtung, Kopfdichtung  
bitte separat bestellen!

Without Headgasket, please order it  
separatel

<b>1</b>	<b>ZKDS10500</b>	<b>HEAD GASKET SET 156,166 2.4 JTD 97-01 WITHOUT HEAD GASK</b>	<b>79.00 EUR</b>
<b>2</b>	<b>ZKDS14300</b>	<b>HEAD GASKET SET (WITHOUT HEAD GASKET) 156,166 2.4 JTD C</b>	<b>91.30 EUR</b>
<b>3</b>	<b>ZKDS34259</b>	<b>HEAD GASKET SET (WITHOUT HEAD GASKET) 156,166 2.4 JTD C</b>	<b>124.91 EUR</b>

## Kopfschraubensatz/Head Screw Set 156 2.4 JTD

---



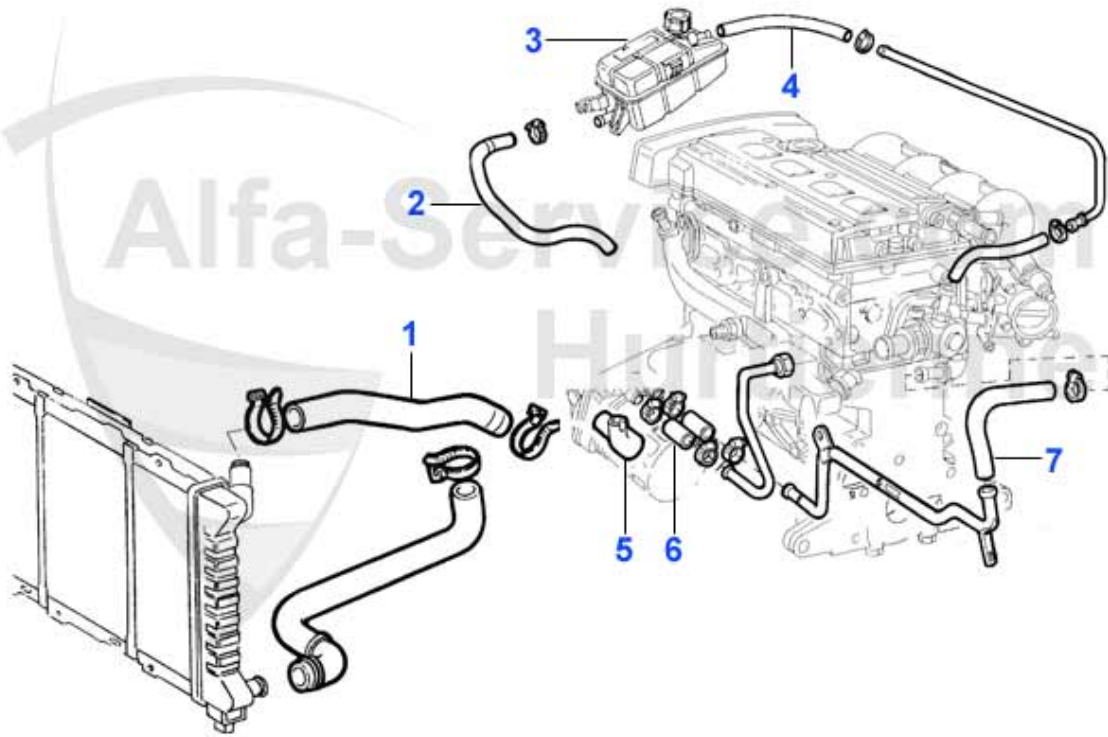
---

1 ZKSS8300

HEAD SCREW SET 156,166 2.4 JTD

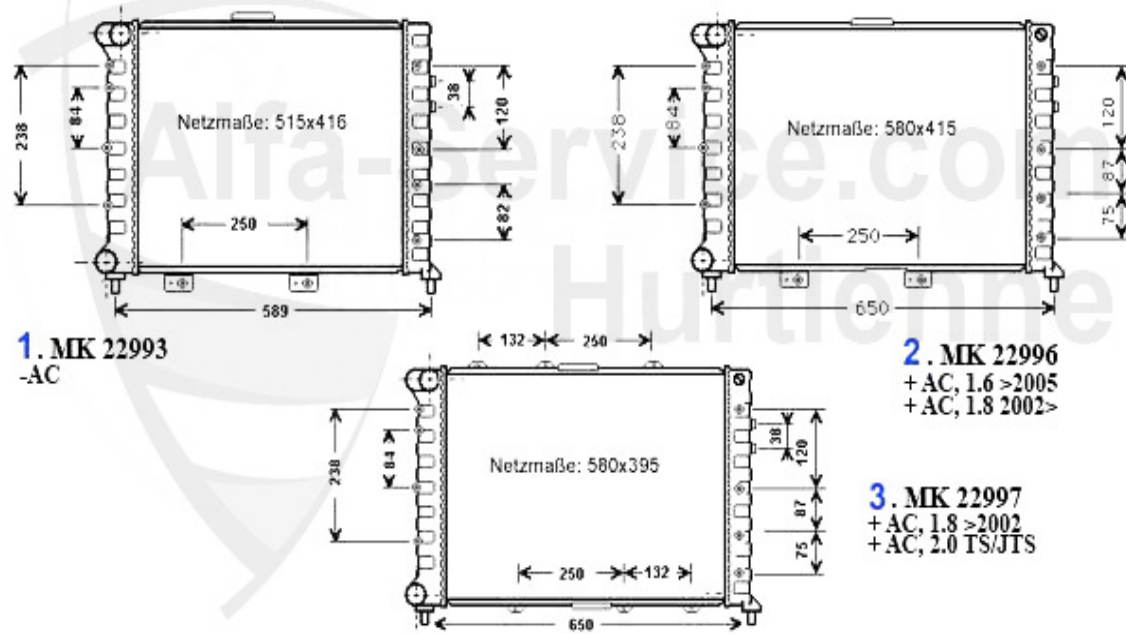
60.52 EUR

156 > ENGINE > COOLING SYSTEM > TS16V > TUBES



1	KWS24584	UPPER WATER HOSE AR 156 TS 1.6-1.8 WITH AC	24.00 EUR
1	KWS29271	UPPER WATER HOSE AR 156 TS 1.6-1.8 WITHOUT AC	Preis auf Anfrage
2	KWS0080	Kühlwasserschlauch Wasser- brücke z.Ausgleichsbehälter	42.00 EUR
3	KWB93147	OVERFLOW CONTAINER 145,146 (97-00),156 (97-02),GT (03-1	40.00 EUR
4	KWS0085	Schlauch Ausgleichsbehälter Verteilerrohr 1,8+2,0 TS (C	Preis auf Anfrage
5	KWS0086	Schlauch am Wärmetauscher 1,8+2,0TS (CF3) 97-02	34.00 EUR
7	KWS0081	Kühlwasserschl. Thermostat unten zum Verteilerrohr 156	Preis auf Anfrage

# Kühler/Radiator 156 TS



1	MK22993	RADIATOR 156 1.6/1.8/2.0 16V TS WITHOUT AC >10.00	190.29 EUR
2	MK22996	RADIATOR 156 1.6/1.8/2.0 16V TS WITH AC	240.18 EUR
3	MK22997	RADIATOR 156 TS 16V/2.5 V6 WITH AC	368.19 EUR

## Thermostat 156 TS

---



---

1 TH650688

OE.60653946,THERMOSTAT WITH HOUSING 1.6/1.8/2.0 IE TS Y

69.00 EUR

# Wasserpumpe/Waterpump 156 TS

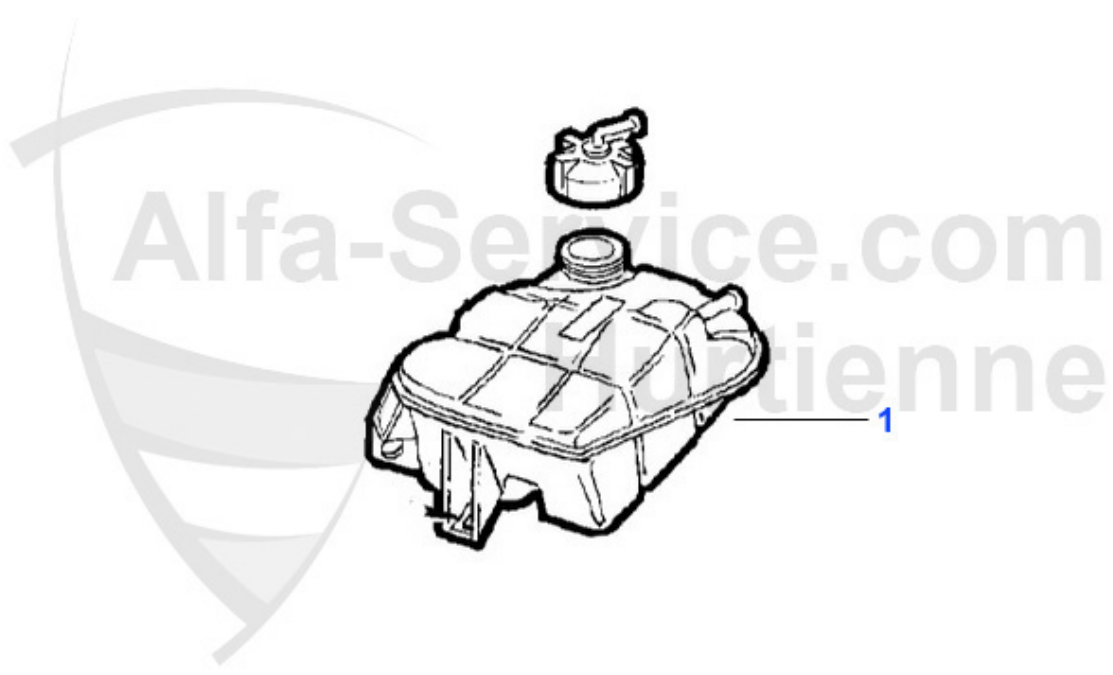
1. WP 00410  
1.6/1.8 >2002  
Ø 67.8 mm



2. WP 00310  
1.6/1.8 2002>  
2.0  
Ø 70.8 mm



1	WP00410	WATER PUMP 145/6 1.6 IE 16V TS,155/6 1.6/1.8 IE 16V TS,	65.00 EUR
2	WP00310	OE. 60586222 WATER PUMP TS 16V	72.49 EUR

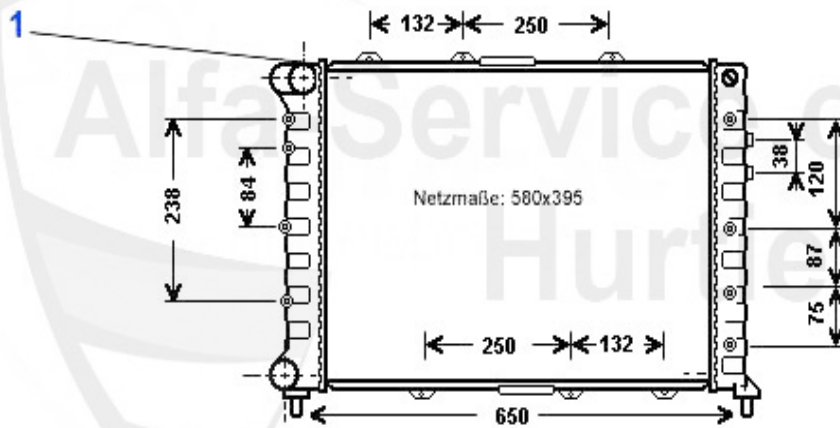


1 KWB4720

OVERFLOW CONTAINER 145/146/156 1.8-2.0 TS/1.9-2.4JTD (9

39.00 EUR

# Kühler/Radiator 156 JTS



1 MK22997

RADIATOR 156 TS 16V/2.5 V6 WITH AC

368.19 EUR

## Termostato 156 JTS

---



---

1 TH76067

OE. 60676067 THERMOSTAT 156,gtv/spider (916),Nuovo GT 2

56.50 EUR

# Wasserpumpe/Waterpump 156 JTS

---

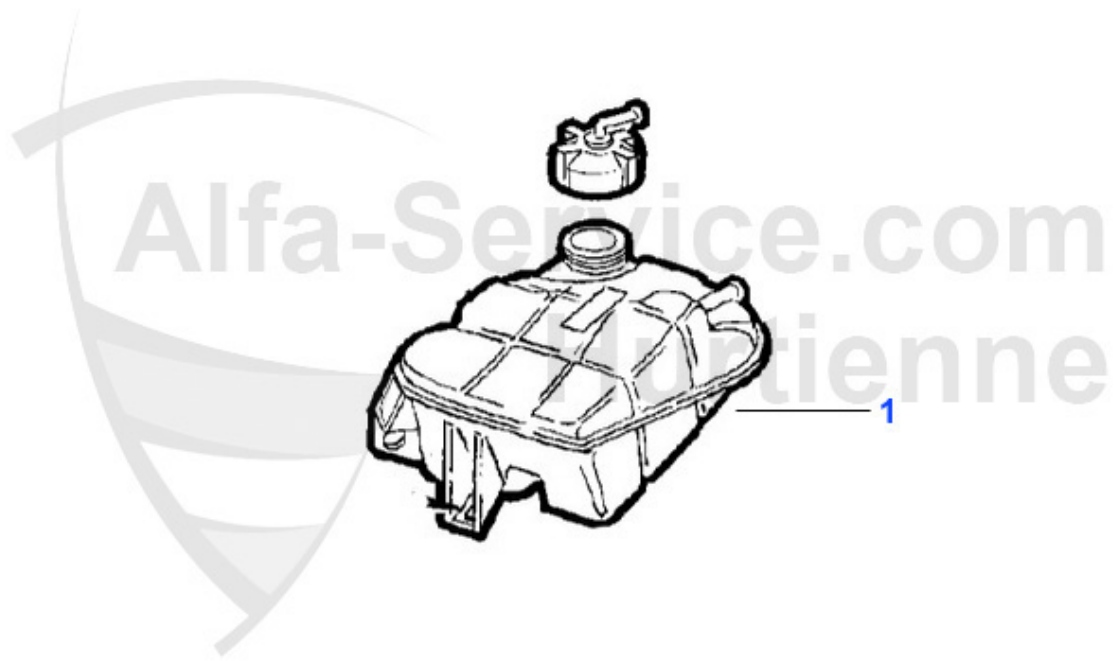


---

1 WP00310

OE. 60586222 WATER PUMP TS 16V

72.49 EUR



1 KWB4720

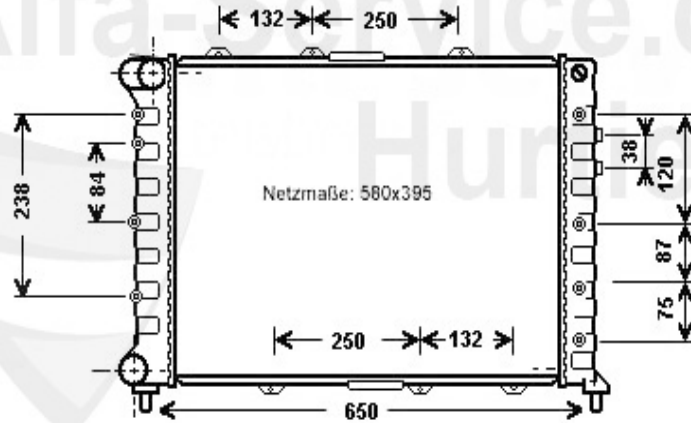
OVERFLOW CONTAINER 145/146/156 1.8-2.0 TS/1.9-2.4JTD (9

39.00 EUR

# Kühler/Radiator 156 V6 24V/GTA

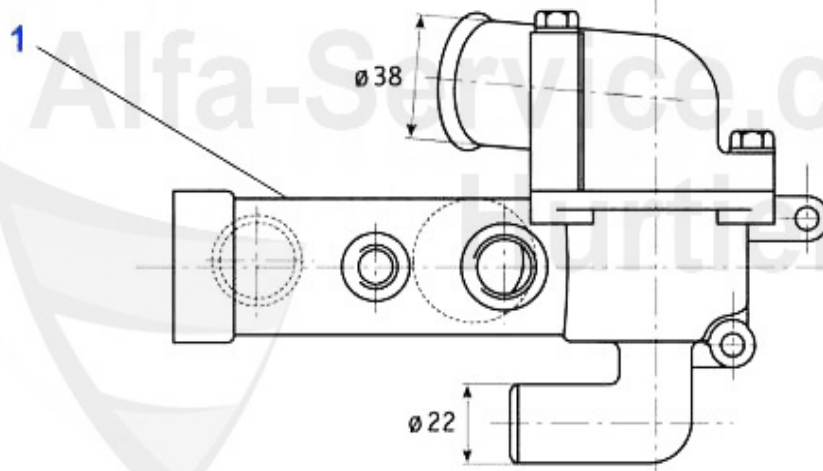
1. MK 22997  
2.5 V6 24V

2. MK 90406  
3.2 V6 24V/GTA



1	MK22997	RADIATOR 156 TS 16V/2.5 V6 WITH AC	368.19 EUR
2	MK90406	OE. 60690406 RADIATOR 147 3.2 V6 24V/GTA	252.40 EUR

# Thermostat 156 V6 24V/GTA



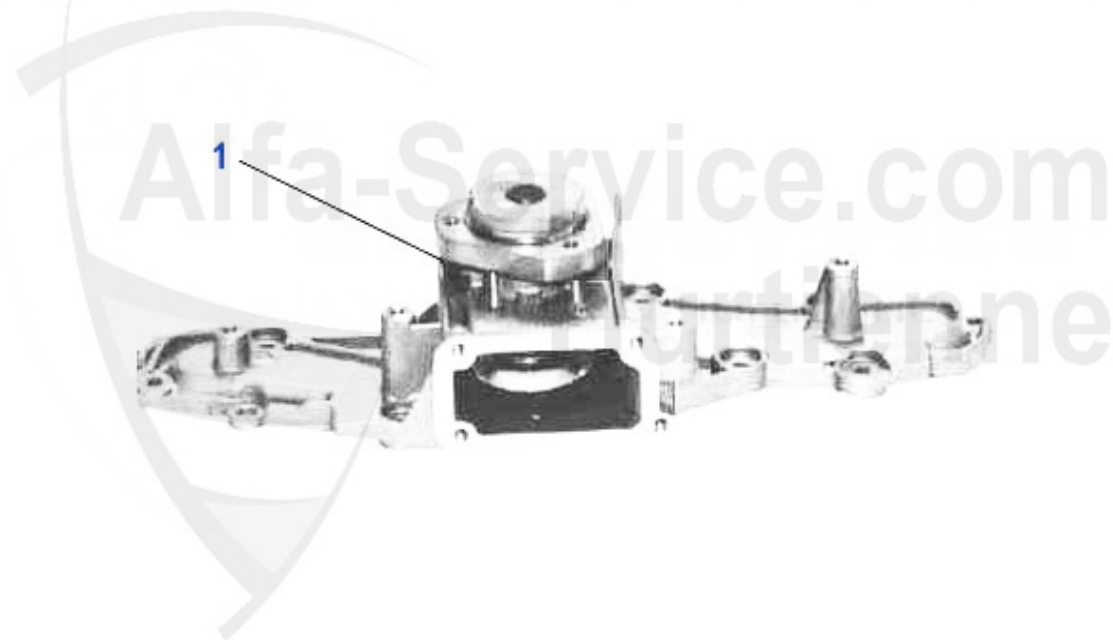
1 TH657187

THERMOSTAT 155,156,166,GTV,SPIDER (916) 6 CYL. (WITH HO

59.00 EUR

## Wasserpumpe/Waterpump 156 V6 24V/GTA

---



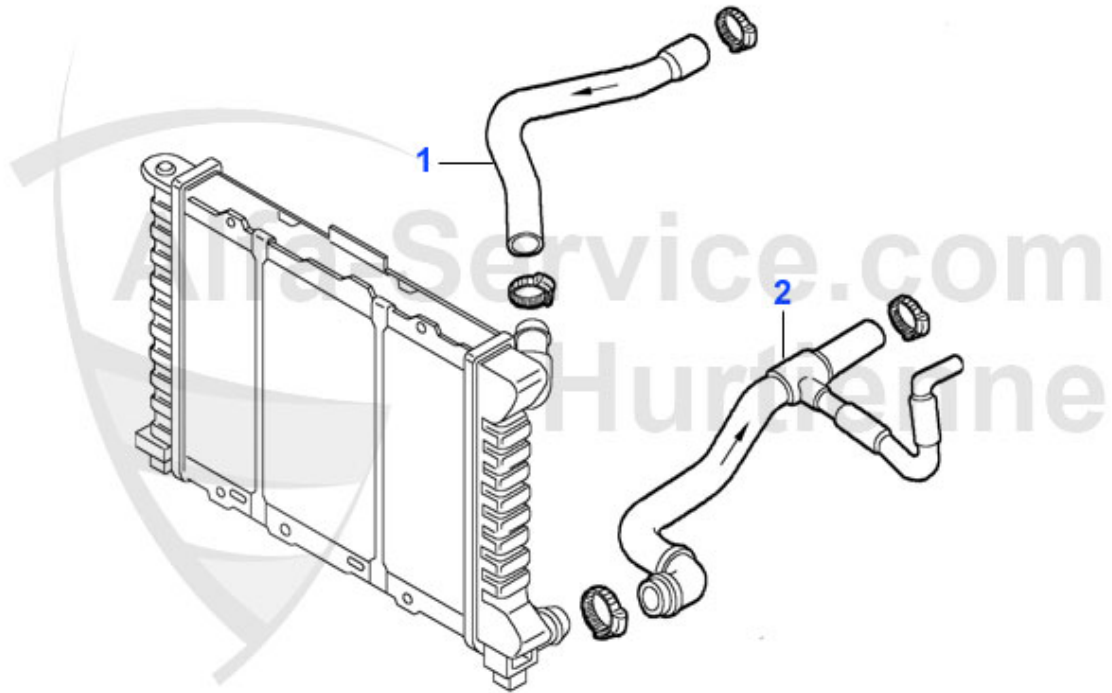
---

1 WP81355

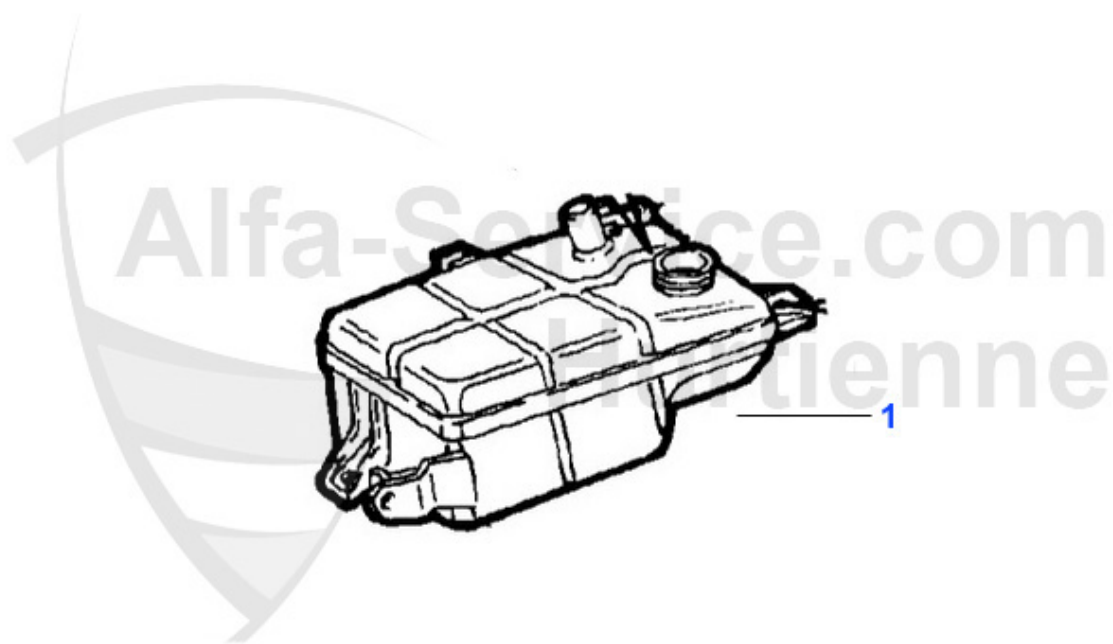
OE. 60816018 WATER PUMP V6 24V

158.00 EUR

156 > ENGINE > COOLING SYSTEM > 2.5/3.2 V6 24V/GTA > HOSE



1	KWS24588	OE. 60624588 RADIATOR UPPER HOSE 147, 156/SW,Nuovo GT 3	29.50 EUR
2	KWS85102	LOWER WATER HOSE 156 2.5 V6 24V (97-05)	70.00 EUR
2	KWS89794	LOWER HEATER HOSE 3.2 GTA 147/156/GT (00-10)	Preis auf Anfrage

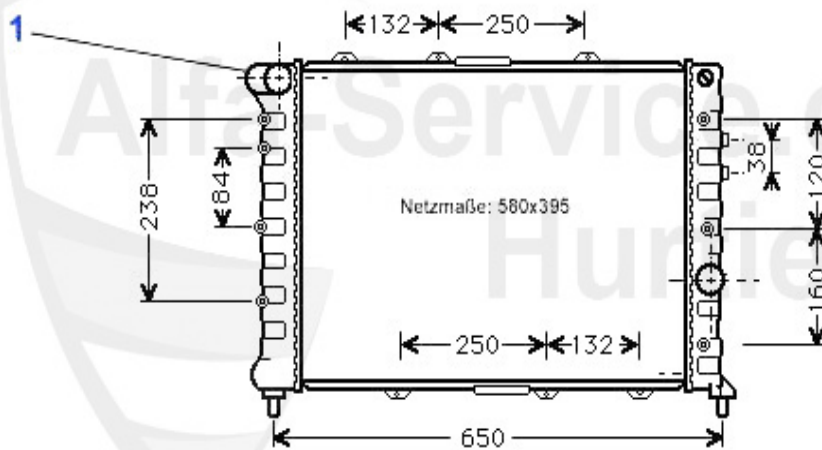


1 KWB4721

OVERFLOW CONTAINER 156 2.5 V6 24V 97-05)

66.90 EUR

# Kühler/Radiator 156 1.9 JTD 8V



1 MK22998

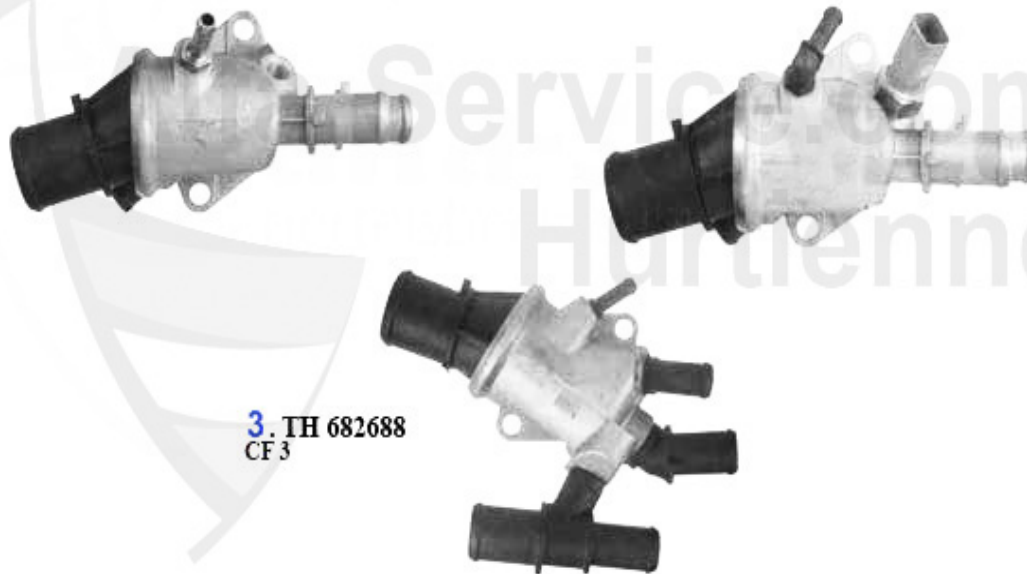
RADIATOR 156 1.9/2.4 JTD

265.70 EUR

# Thermostat 156 1.9 JTD 8V

1. TH 648988  
CF 2/>Mot.1415540

2. TH 655188  
CF 2/>Mot.1415541->

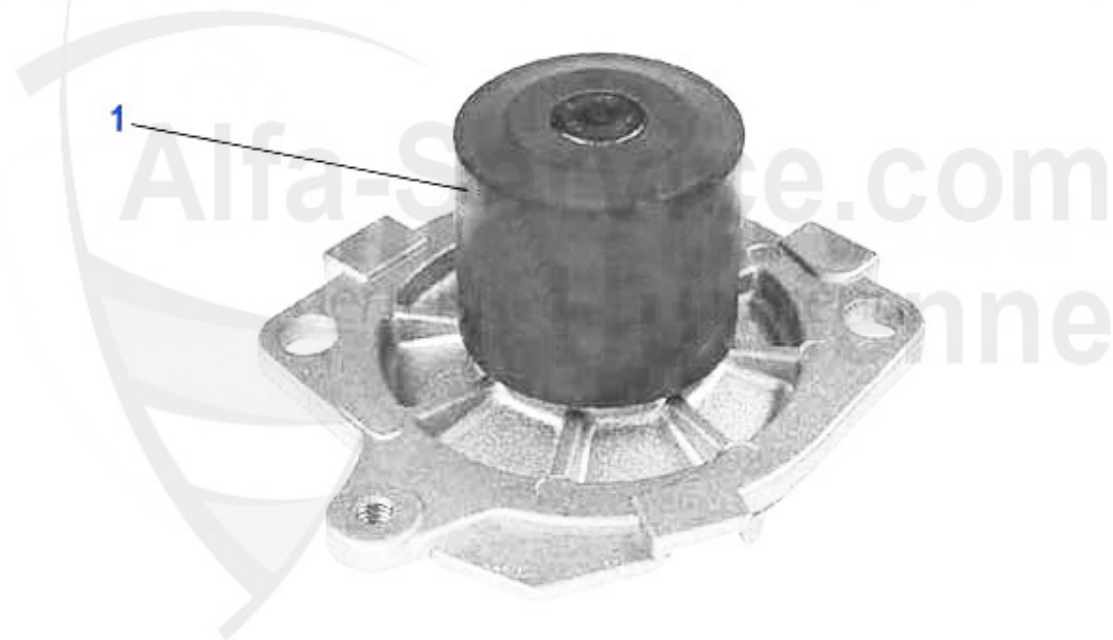


3. TH 682688  
CF 3

1	TH648988	Thermostat 156 1.9 JTD,Gehäusetherm ostat	43.85 EUR
2	TH655188	Thermostat 145/6,156,1.9 JTD Gehäusethermostat	60.00 EUR
3	TH682688	OE. 46795667 THERMOSTAT 156,166 1.9/2.4 JTD CF3	92.00 EUR

## Wasserpumpe/Waterpump 156 1.9 JTD 8V

---

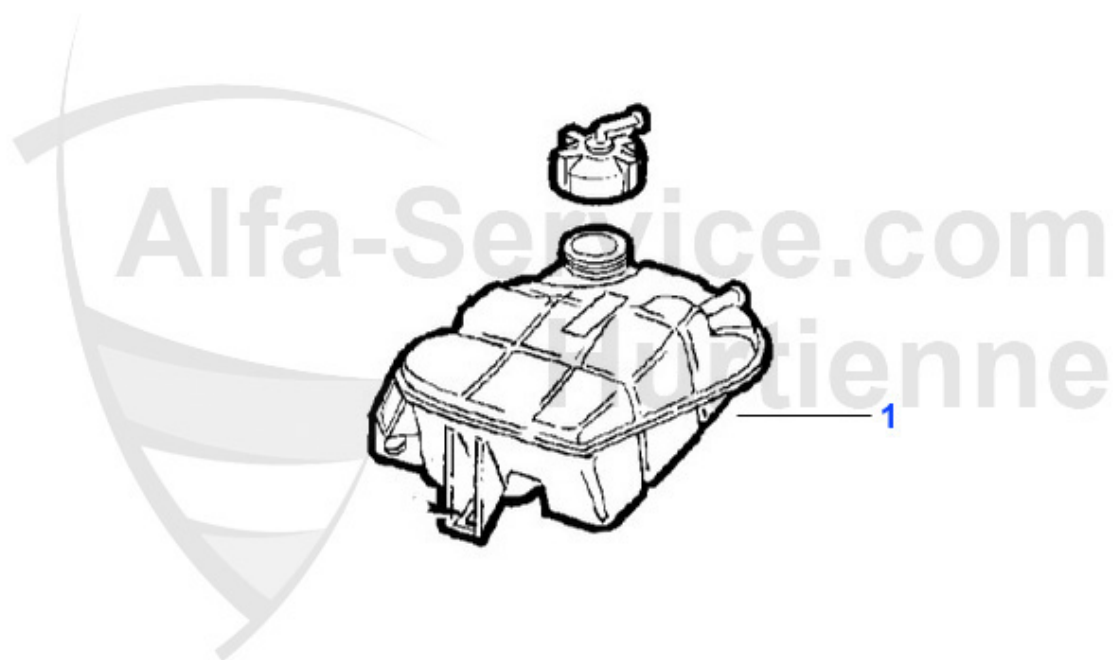


---

1 WP15970

OE. 46515970 WATER PUMP 1.9/2.4 8/10 V

60.52 EUR

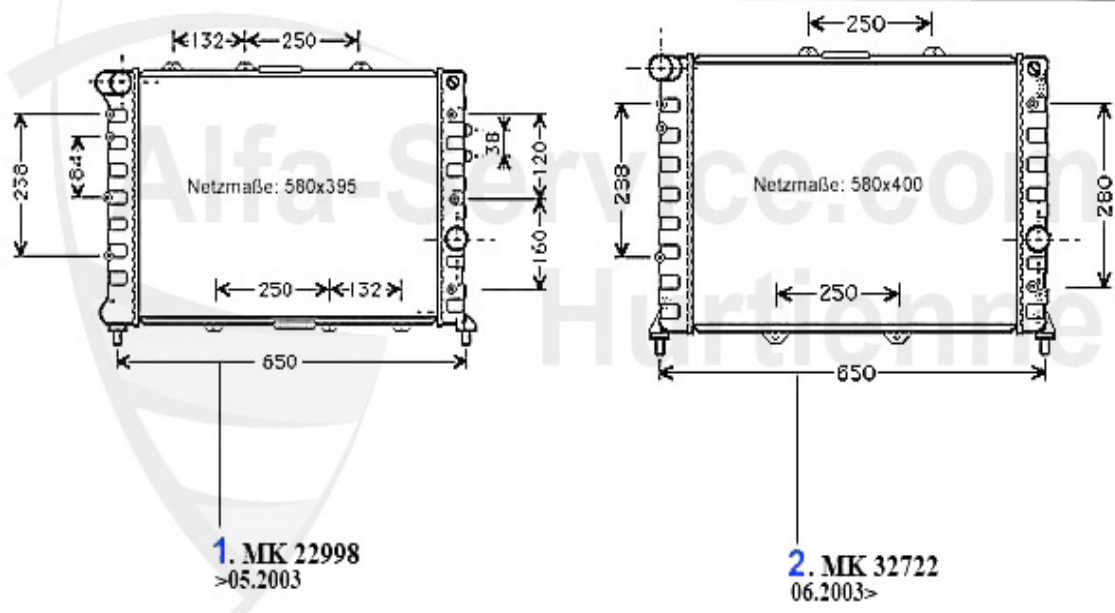


1 KWB4720

OVERFLOW CONTAINER 145/146/156 1.8-2.0 TS/1.9-2.4JTD (9

39.00 EUR

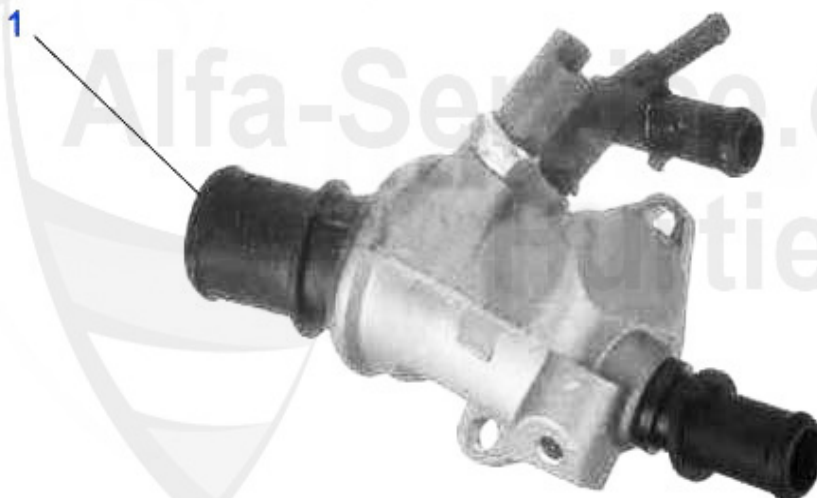
# Kühler/Radiator 156 1.9 JTD 16V



1	MK22998	RADIATOR 156 1.9/2.4 JTD	265.70 EUR
2	MK32722	RADIATOR 156 1.9 16V/2.4 10/20V JTD 01> STARTING FROM #	366.23 EUR

## Thermostat 156 1.9 JTD 16V

---



1 TH688288

OE. 55189843 THERMOSTAT 156,166 1.9/2.4 JTD 10/20V

119.00 EUR

## Wasserpumpe/Waterpump 156 1.9 JTD 16V

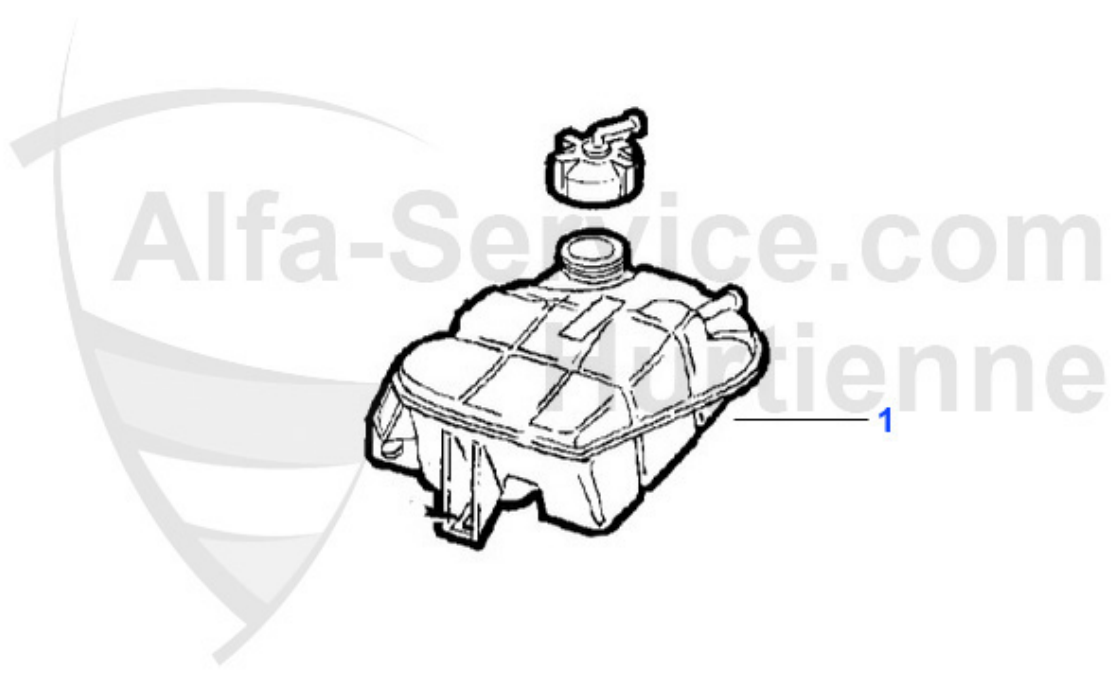
---



1 WP04051

OE. 46804051 WATER PUMP 1.9/2.4 16/20 V

72.33 EUR

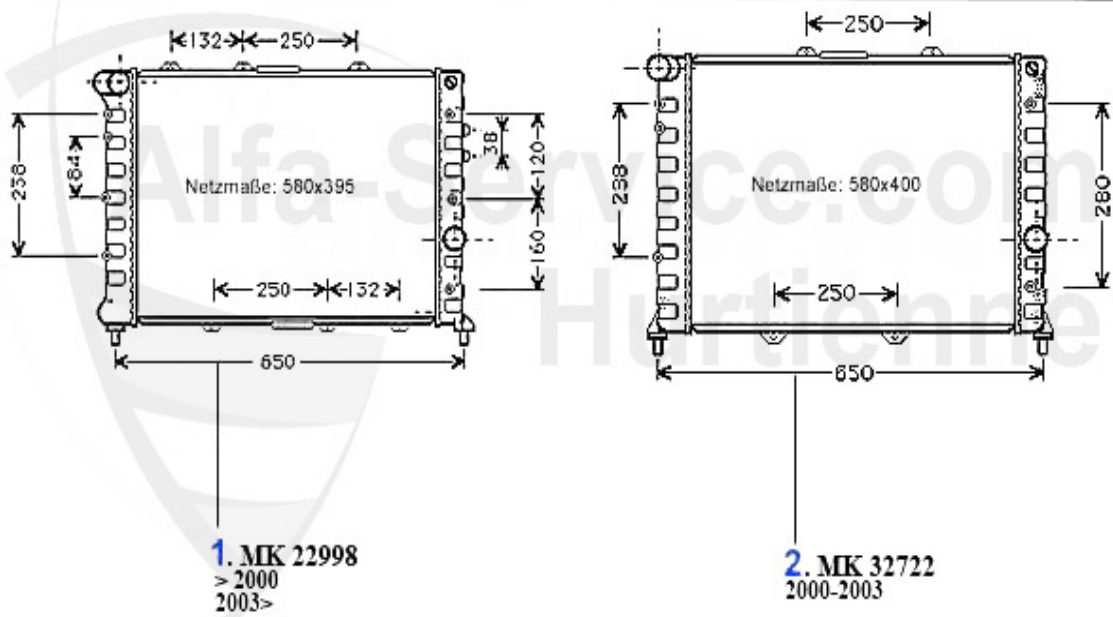


1 KWB4720

OVERFLOW CONTAINER 145/146/156 1.8-2.0 TS/1.9-2.4JTD (9

39.00 EUR

# Kühler/Radiator 156 2.4 JTD 10V



<b>1</b>	<b>MK22998</b>	<b>RADIATOR 156 1.9/2.4 JTD</b>	<b>265.70 EUR</b>
<b>2</b>	<b>MK32722</b>	<b>RADIATOR 156 1.9 16V/2.4 10/20V JTD 01&gt; STARTING FROM #</b>	<b>366.23 EUR</b>

# Thermostat 156 2.4 JTD 10V

1. TH 648988  
CF 2, >Mot.1283805

2. TH 655188  
CF 2, Mot.1283806>

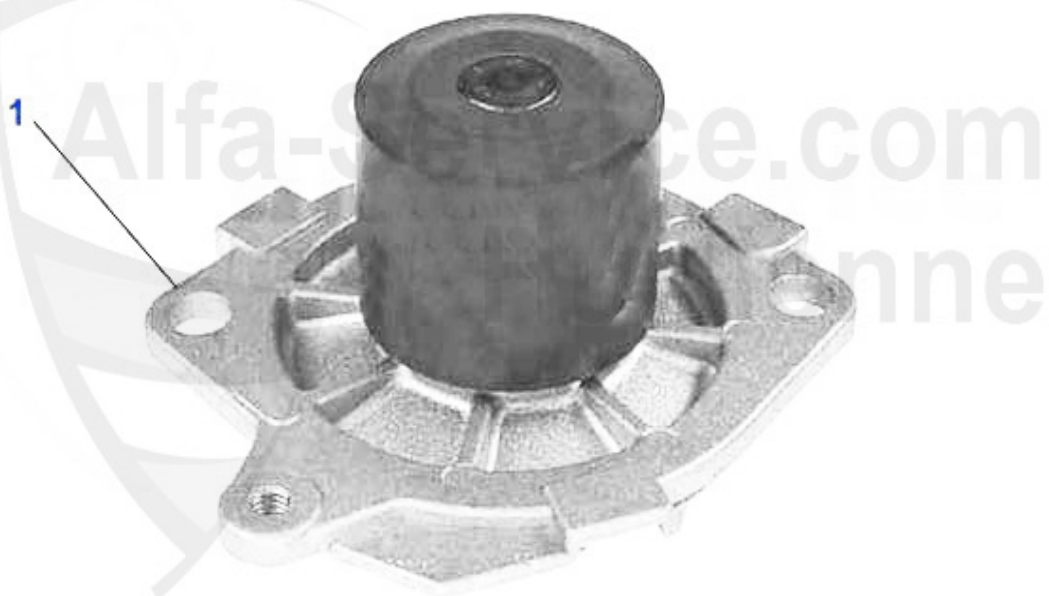


3. TH 682588  
CF 3

1	TH648988	Thermostat 156 1.9 JTD,Gehäusethermostat	43.85 EUR
2	TH655188	Thermostat 145/6,156,1.9 JTD Gehäusethermostat	60.00 EUR
3	TH682588	OE. 46822435 THERMOSTAT 156 2.4 JTD 10V 110 KW	124.95 EUR

## Wasserpumpe/Waterpump 156 2.4 JTD 10V

---

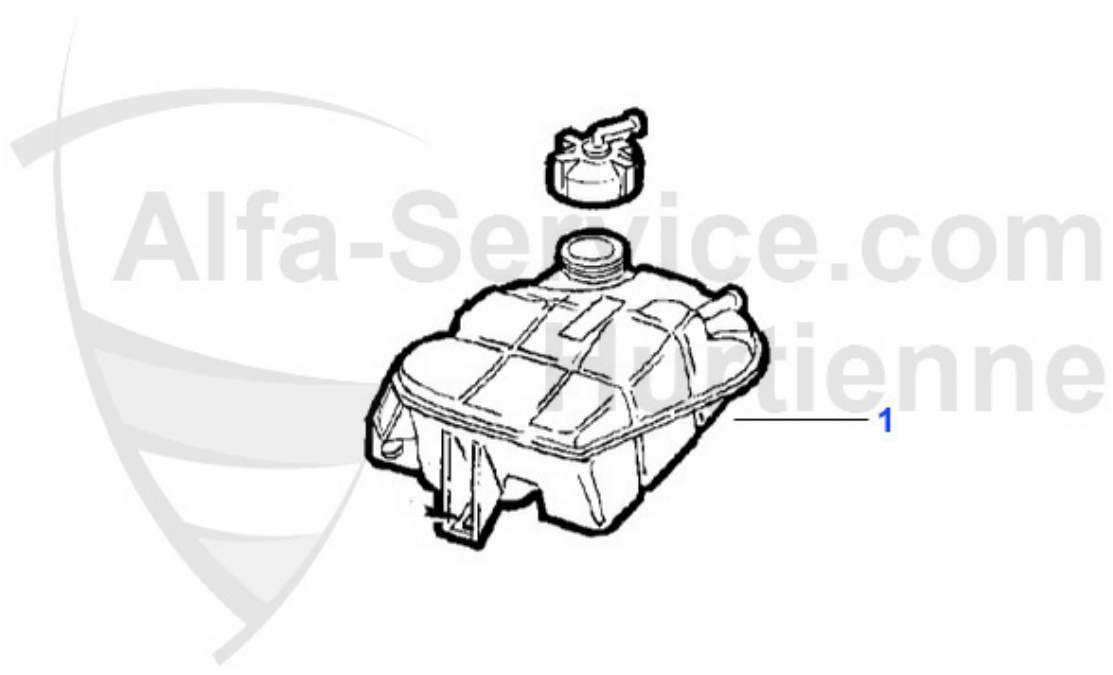


---

1 WP15970

OE. 46515970 WATER PUMP 1.9/2.4 8/10 V

60.52 EUR

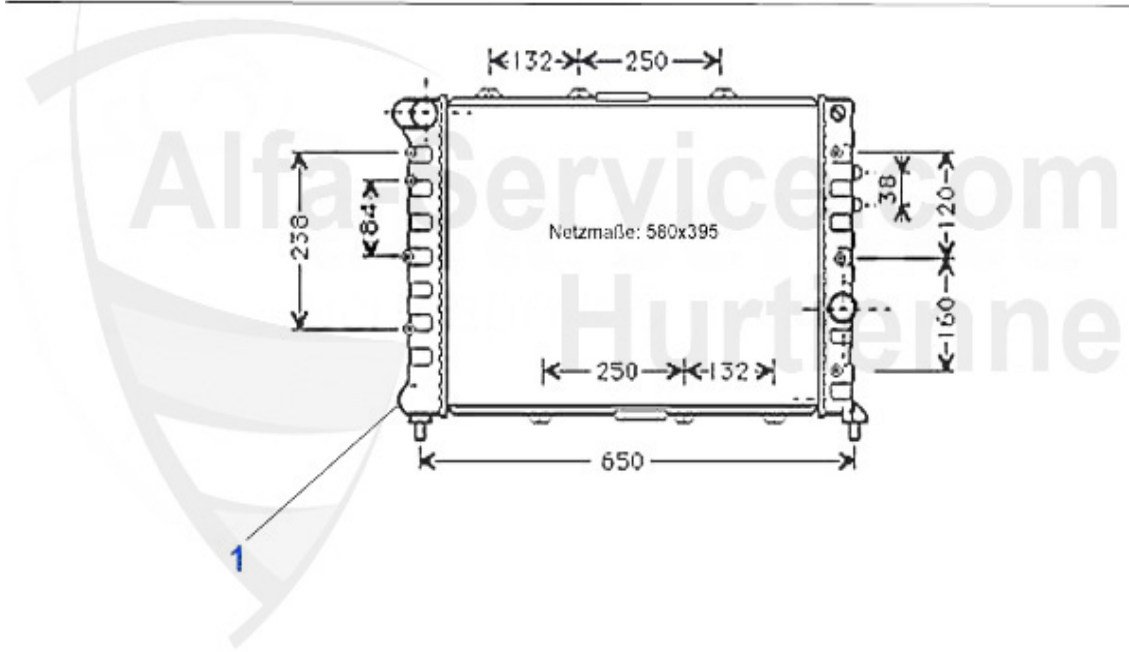


1 KWB4720

OVERFLOW CONTAINER 145/146/156 1.8-2.0 TS/1.9-2.4JTD (9

39.00 EUR

# Kühler/Radiator 156 2.4 JTD 20V



1 MK32722

RADIATOR 156 1.9 16V/2.4 10/20V JTD 01> STARTING FROM #

366.23 EUR

## Thermostat 156 2.4 JTD 20V

---



1 TH688288

OE. 55189843 THERMOSTAT 156,166 1.9/2.4 JTD 10/20V

119.00 EUR

## Wasserpumpe/Waterpump 156 2.4 JTD 20V

---

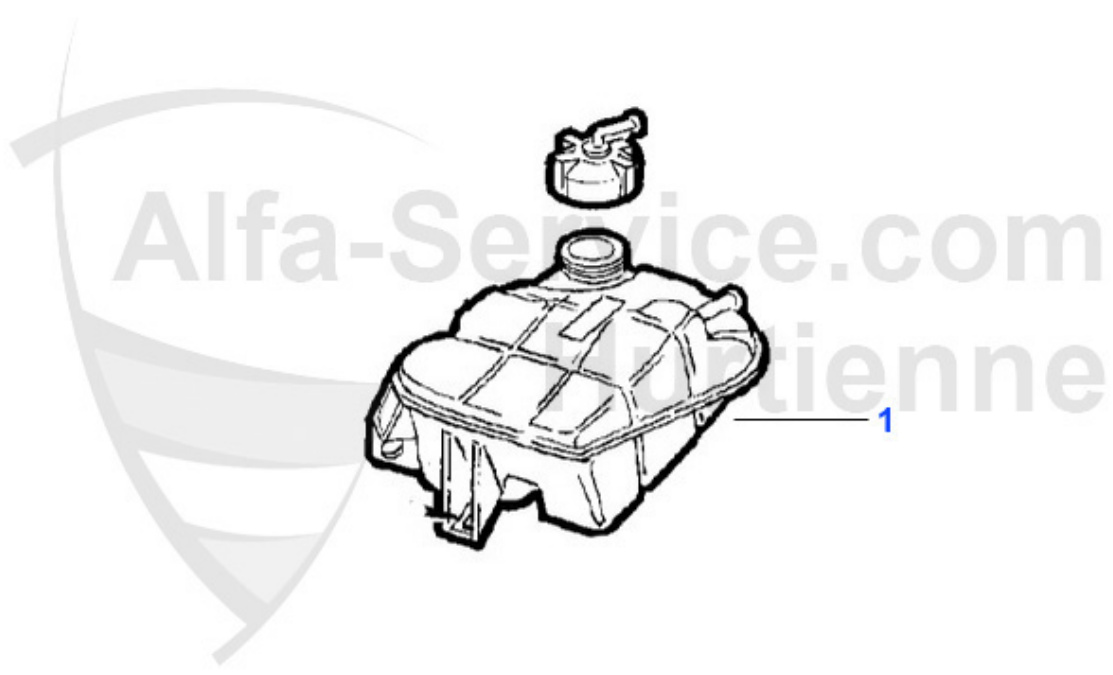


---

1 WP04051

OE. 46804051 WATER PUMP 1.9/2.4 16/20 V

72.33 EUR

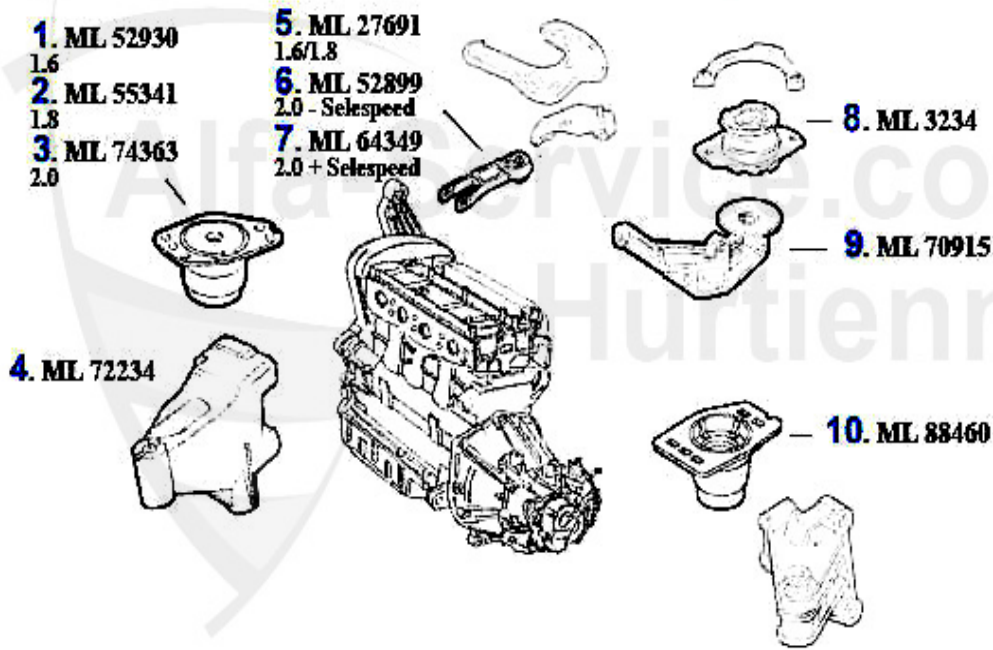


1 KWB4720

OVERFLOW CONTAINER 145/146/156 1.8-2.0 TS/1.9-2.4JTD (9

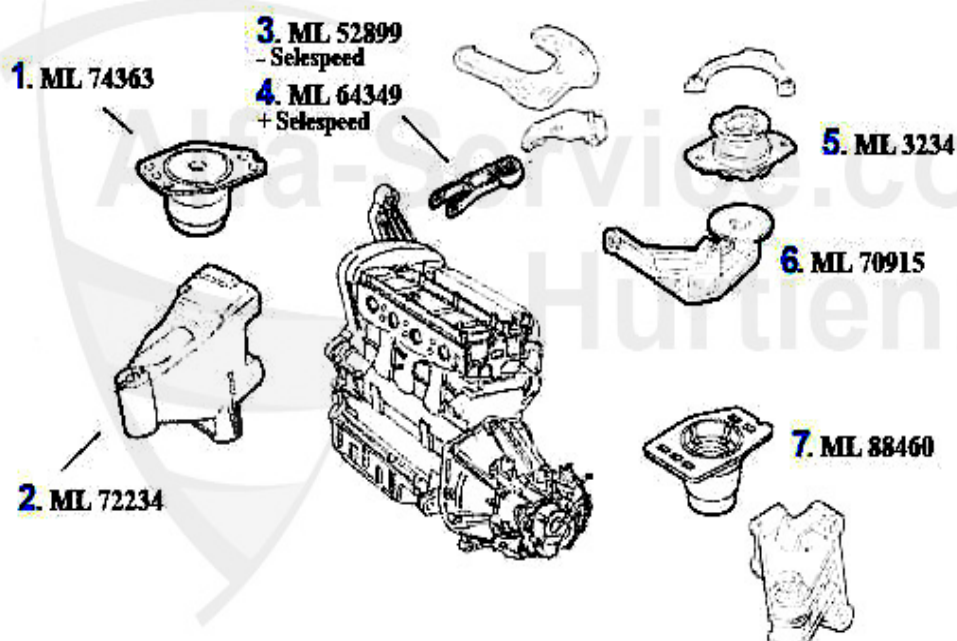
39.00 EUR

# Motorlager/Enginemount 156 TS 16V



1	ML52930	OE. 46452930 ENGINE MOUNT FL 145/6 1999> 2.0 TS 16V,155	149.00 EUR
3	ML74363	OE. 60674363 ENGINE MOUNT FL 147,156/SW, Nuovo GT 2.0 T	239.00 EUR
4	ML72234	OE. 60672234 ENGINEMOUNT FR. 156 2002>, gtv/spider (916	92.50 EUR
5	ML27691	OE. 60627691 ENGINEMOUNT RR 145/6,155, 156,gtv/spider (	35.81 EUR
7	ML64349	OE. 60664349 ENGINE ROD 147,156/SW,Nuovo GT 2.0 TS/JTS	88.50 EUR
8	ML3234	OE. 7652240/60808861 ENGINE MOUNT	79.50 EUR
9	ML70915	OE. 7770915 SUPPORT	Preis auf Anfrage
10	ML88460	ENGINE MOUNT 145/6,147 (74KW),155,156, GTV/SPIDER (916)	99.00 EUR

# Motorlager/Enginemount 156 JTS



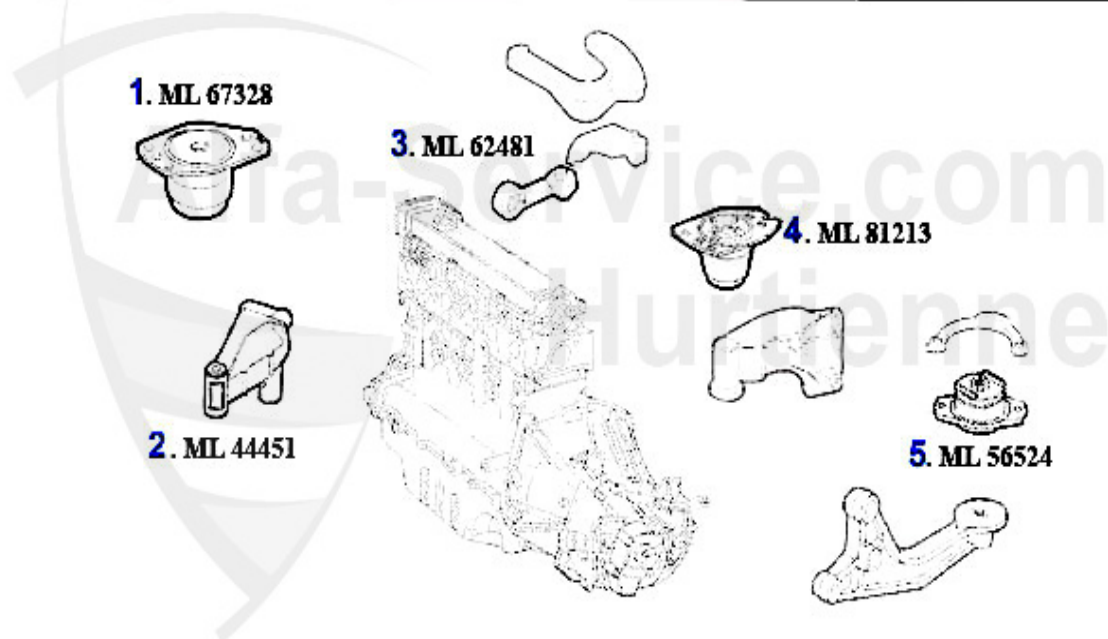
1	ML74363	OE. 60674363 ENGINE MOUNT FL 147,156/SW, Nuovo GT 2.0 T	239.00 EUR
2	ML72234	OE. 60672234 ENGINEMOUNT FR. 156 2002>, gtv/spider (916)	92.50 EUR
4	ML64349	OE. 60664349 ENGINE ROD 147,156/SW,Nuovo GT 2.0 TS/JTS	88.50 EUR
5	ML3234	OE. 7652240/60808861 ENGINE MOUNT	79.50 EUR
6	ML70915	OE. 7770915 SUPPORT	Preis auf Anfrage
7	ML88460	ENGINE MOUNT 145/6,147 (74KW),155,156, GTV/SPIDER (916)	99.00 EUR

# Motorlager/Enginemount 156 V6 24V/GTA



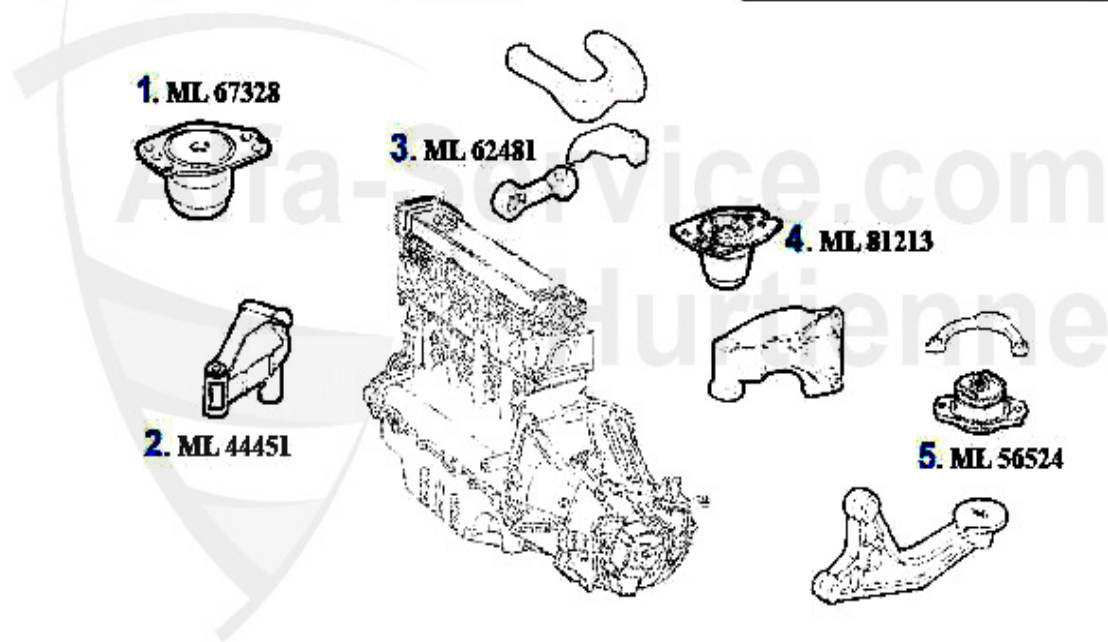
2	ML52740	OE. 60652740 ENGINE MOUNT 147,156,Nuovo GT V6 24V/GTA	104.99 EUR
3	ML9359	OE.7644686 ENGINE MOUNT REAR 147, 155, 156	55.81 EUR

## Motorlager/Enginemount 156 1.9 JTD 8V



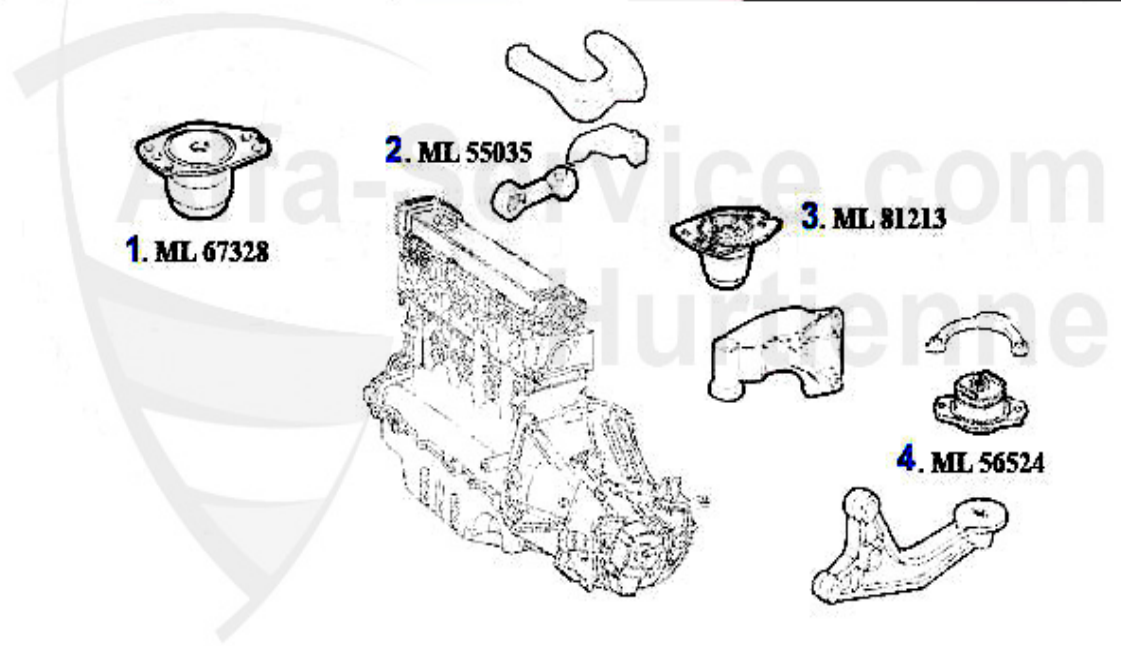
<b>1</b>	<b>ML67328</b>	OE. 46467328 ENGINE MOUNT FL 145/6,147, 156,Nuovo GT JT	<b>61.62 EUR</b>
<b>2</b>	<b>ML44451</b>	OE. 46744451 ENGINE MOUNT 147,156,Nuovo GT 1.9 JTD 8/16	<b>95.00 EUR</b>
<b>3</b>	<b>ML62481</b>	OE. 60662481 ENGINE MOUNT 145/6,147,156, Nuovo GT 1.9 J	<b>61.25 EUR</b>
<b>4</b>	<b>ML81213</b>	OE. 46781213 ENGINE MOUNT RL 145/6, 147 1,9 JTD +74KW,	<b>174.99 EUR</b>
<b>5</b>	<b>ML56524</b>	OE. 60656524 ENGINEMOUNT 145/6 1999>, 147,156,Nuovo GT	<b>40.01 EUR</b>

## Motorlager/Enginemount 156 1.9 JTD 16V



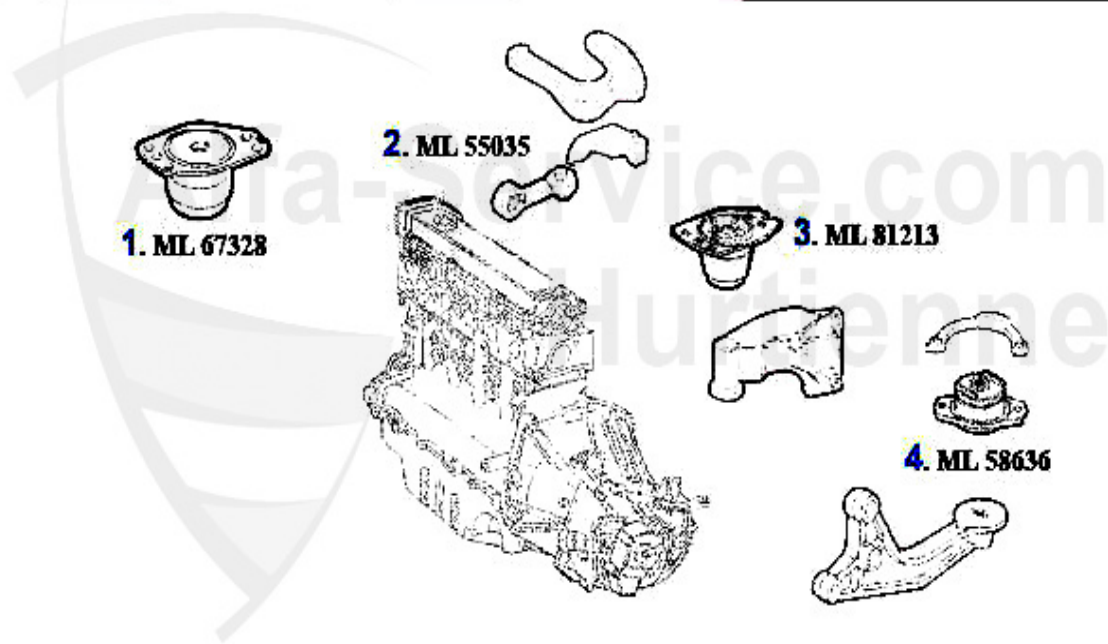
<b>1</b>	<b>ML67328</b>	OE. 46467328 ENGINE MOUNT FL 145/6,147, 156,Nuovo GT JT	<b>61.62 EUR</b>
<b>2</b>	<b>ML44451</b>	OE. 46744451 ENGINE MOUNT 147,156,Nuovo GT 1.9 JTD 8/16	<b>95.00 EUR</b>
<b>3</b>	<b>ML62481</b>	OE. 60662481 ENGINE MOUNT 145/6,147,156, Nuovo GT 1.9 J	<b>61.25 EUR</b>
<b>4</b>	<b>ML81213</b>	OE. 46781213 ENGINE MOUNT RL 145/6, 147 1,9 JTD +74KW,	<b>174.99 EUR</b>
<b>5</b>	<b>ML56524</b>	OE. 60656524 ENGINEMOUNT 145/6 1999>, 147,156,Nuovo GT	<b>40.01 EUR</b>

## Motorlager/Enginemount 156 2.4 JTD 10V



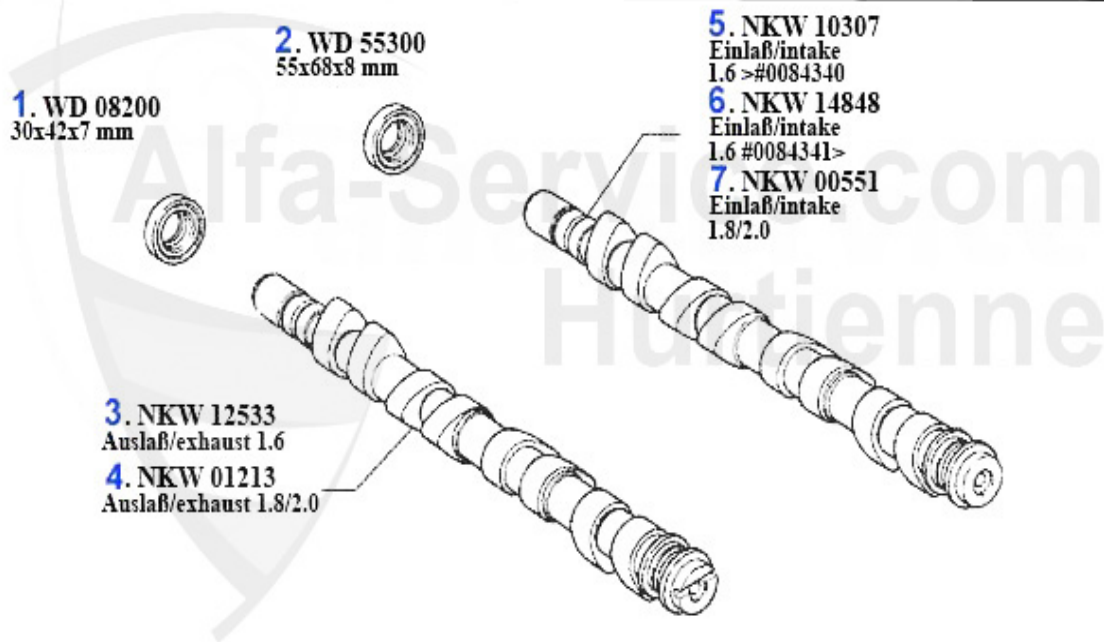
<b>1</b>	<b>ML67328</b>	OE. 46467328 ENGINE MOUNT FL 145/6,147, 156,Nuovo GT JT	<b>61.62 EUR</b>
<b>2</b>	<b>ML55035</b>	OE. 60655035 ENGINE ROD 156 2.4 JTD 10/20V	<b>60.65 EUR</b>
<b>3</b>	<b>ML81213</b>	OE. 46781213 ENGINE MOUNT RL 145/6, 147 1,9 JTD +74KW,	<b>174.99 EUR</b>
<b>4</b>	<b>ML56524</b>	OE. 60656524 ENGINEMOUNT 145/6 1999>, 147,156,Nuovo GT	<b>40.01 EUR</b>

## Motorlager/Enginemount 156 2.4 JTD 20V



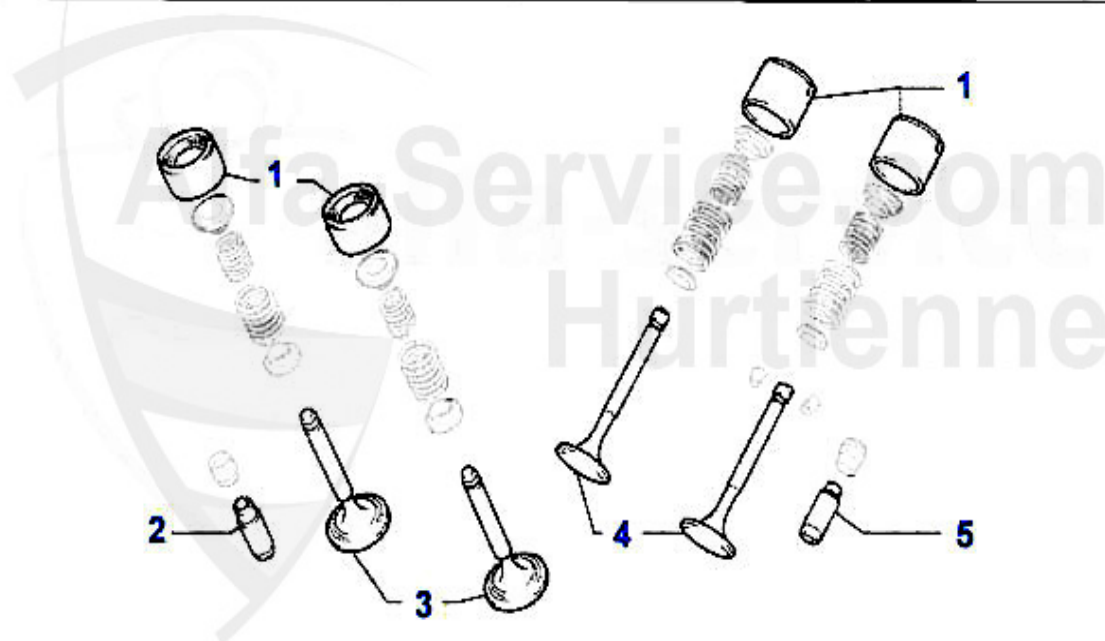
<b>1</b>	<b>ML67328</b>	OE. 46467328 ENGINE MOUNT FL 145/6,147, 156,Nuovo GT JT	<b>61.62 EUR</b>
<b>2</b>	<b>ML55035</b>	OE. 60655035 ENGINE ROD 156 2.4 JTD 10/20V	<b>60.65 EUR</b>
<b>3</b>	<b>ML81213</b>	OE. 46781213 ENGINE MOUNT RL 145/6, 147 1,9 JTD +74KW,	<b>174.99 EUR</b>

## Nockenwelle/Camshaft 156 TS 16V



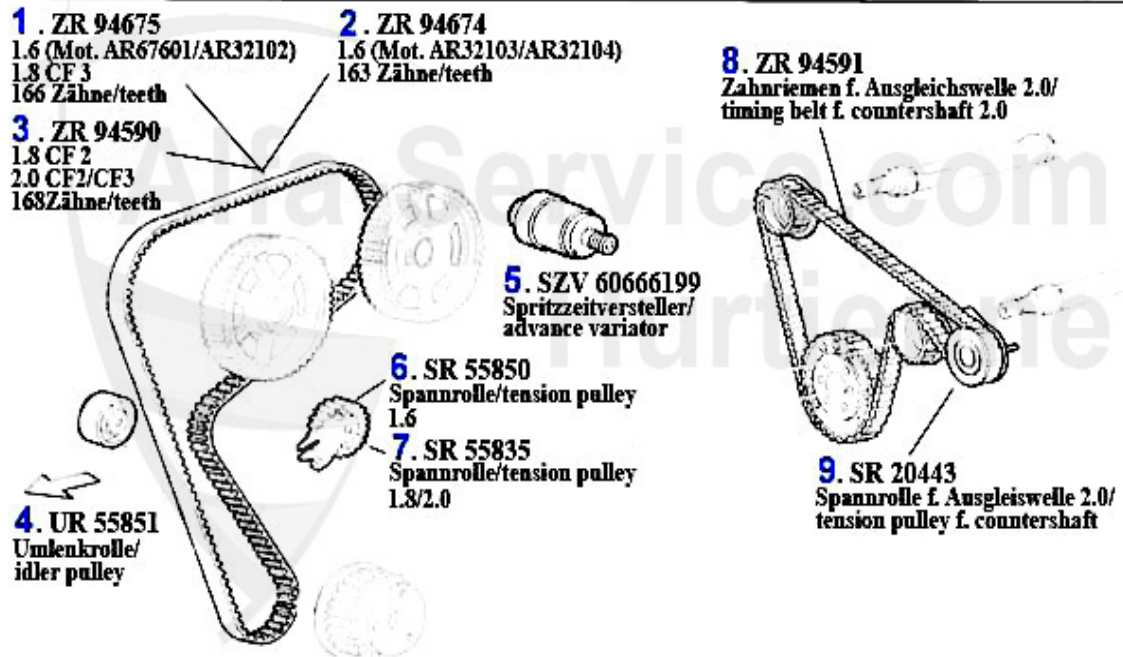
1	WD08200	CAMSHAFT 145/6,155,156,GTV/SPIDER (916), 166 VARIOUS 96	15.51 EUR
2	WD55300	CAMSHAFT OIL SEAL 145/6,155,156 1.6,1.7, 1.8,2.0 16V TS	17.90 EUR
3	NKW12533	Nockenwelle (Auslaß) 145/6,147,155, 156 1.4/1.6 TS 16V	243.13 EUR
4	NKW01213	OE. 60601213 CAMSHAFT	419.00 EUR
5	NKW10307	Nockenwelle (Einlaß) 145/6,155,156 1.4/1.6 TS 16V	242.11 EUR
6	NKW14848	Nockenwelle 145/6 1.6 TS 16V # 1650 88>, 156 1.6 TS 16V	230.82 EUR
7	NKW00551	OE. 60600551 CAMSHAFT	Preis auf Anfrage

## Ventiltrieb/Valve Train 156 TS 16V



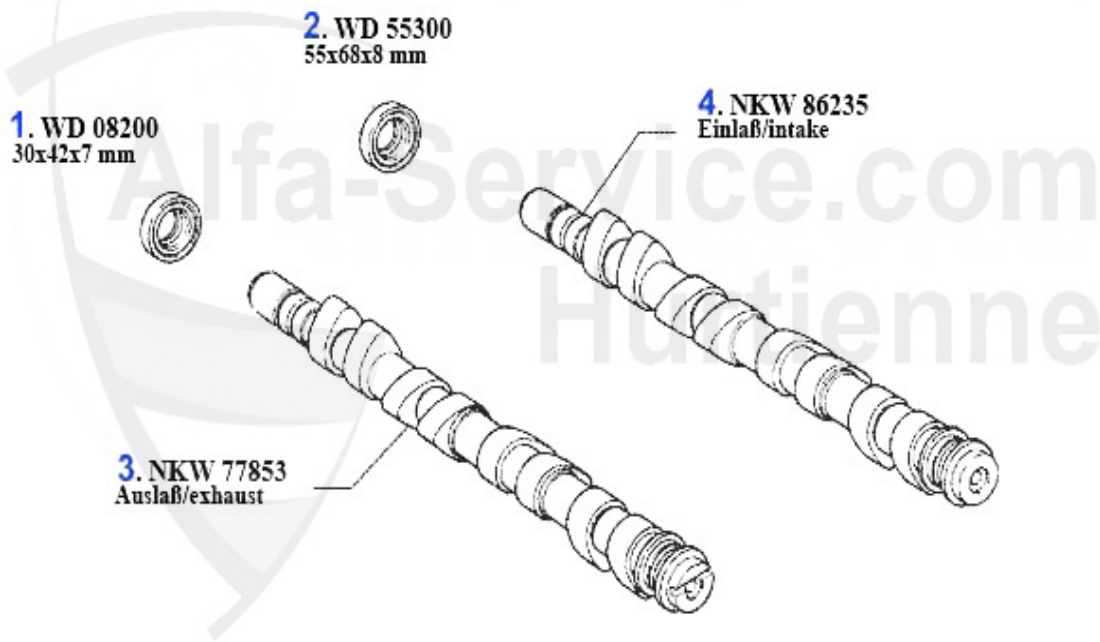
<b>1</b>	<b>HST12769</b>	<b>HYDRAULIC VALVE LIFTER 145/6,147,155 156,166,GTV/SPIDER</b>	<b>6.50 EUR</b>
<b>2</b>	<b>VFA11582</b>	<b>Ventilführung Auslaß + 0.05 TS 16V</b>	<b>21.03 EUR</b>
<b>3</b>	<b>VA91934</b>	<b>EXHAUST VALVE 145/6,155,156,SPIDER/GTV (916) 1.6/1.8/2.</b>	<b>18.05 EUR</b>
<b>4</b>	<b>VE91933</b>	<b>INLET VALVE 145/6,155,156,SPIDER/GTV (916) 1.6/1.8/2.0</b>	<b>15.28 EUR</b>
<b>5</b>	<b>VFE11575</b>	<b>Ventilführung Einlaß +0.05 TS 16V</b>	<b>21.03 EUR</b>

# Zahnriemen/Timing Belt 156 TS 16V



1	ZR94675	Zahnriemen 166SHPN240H 145/6,155/6 4-Zylinder(Mot.CF2/3)	42.58 EUR
2	ZR94674	Zahnriemen 163SHPN240H 145/6 1.4 ie 16V TS,147 1.6 16V	22.00 EUR
3	ZR94590	OE.60814319 TIMING BELT 168SHPN240H 145/6 1.8/2.0 IE/16	49.50 EUR
4	UR55851	OE. 60671573 DEFLECTION PULLEY 1.8 TS 16V 145/6, 147, 1	32.50 EUR
5	SZV60666199	ORIGINAL ADVANCE VARIATOR TS 16V FOR 145/6,155,156,164,	Preis auf Anfrage
6	SR55850	Spannrolle Zahnriemen 145/6 1.4 ie 16V TS,155/6 1.6 ie	36.00 EUR
7	SR55835	OE. 55192239 IDLER PULLEY 1.8 TS 16V 145/6, 147, 155, 1	89.50 EUR
8	ZR94591	Zahnriemen 130SLDD150H 145/6,155/6 2.0 16V TS Ausgleich	66.00 EUR
9	SR20443	Spannrolle für Ausgleichswelle 2.0 TS gtv/spider (916)	39.50 EUR

## Nockenwelle/Camshaft 156 JTS



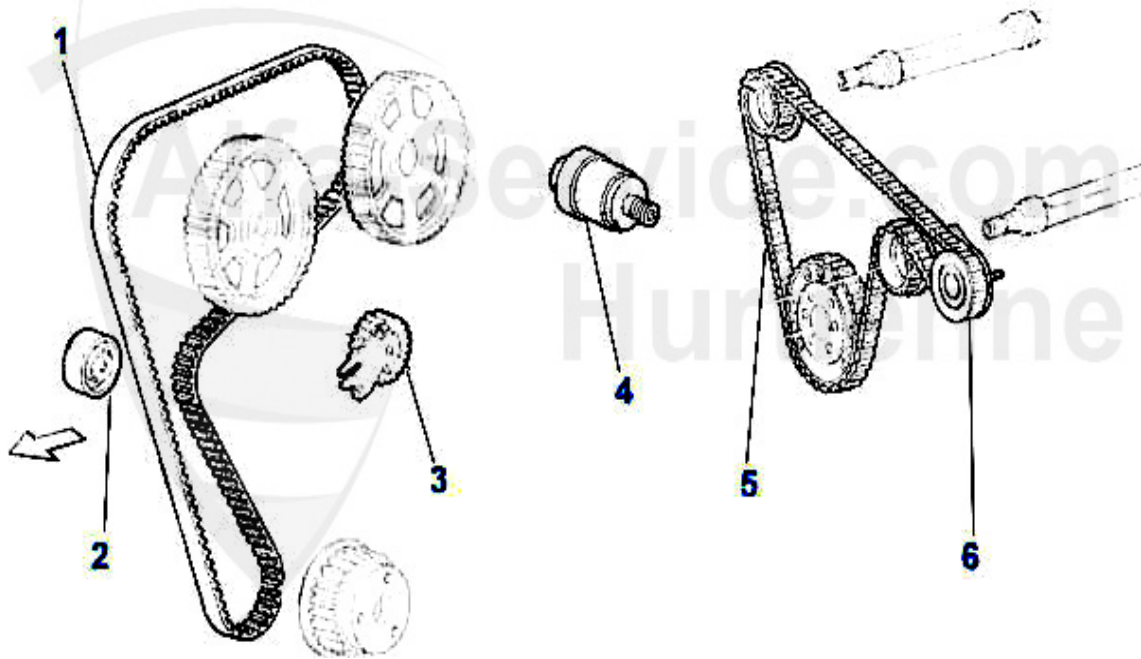
1	WD08200	CAMSHAFT 145/6,155,156,GTV/SPIDER (916), 166 VARIOUS 96	15.51 EUR
2	WD55300	CAMSHAFT OIL SEAL 145/6,155,156 1.6,1.7, 1.8,2.0 16V TS	17.90 EUR
3	NKW77853	OE. 60677853 CAMSHAFT EXHAUST 2.0 JTS	509.00 EUR
4	NKW86235	OE. 55186235 CAMSHAFT INTAKE 2.0 JTS	549.99 EUR

## Ventiltrieb/Valve Train 156 JTS



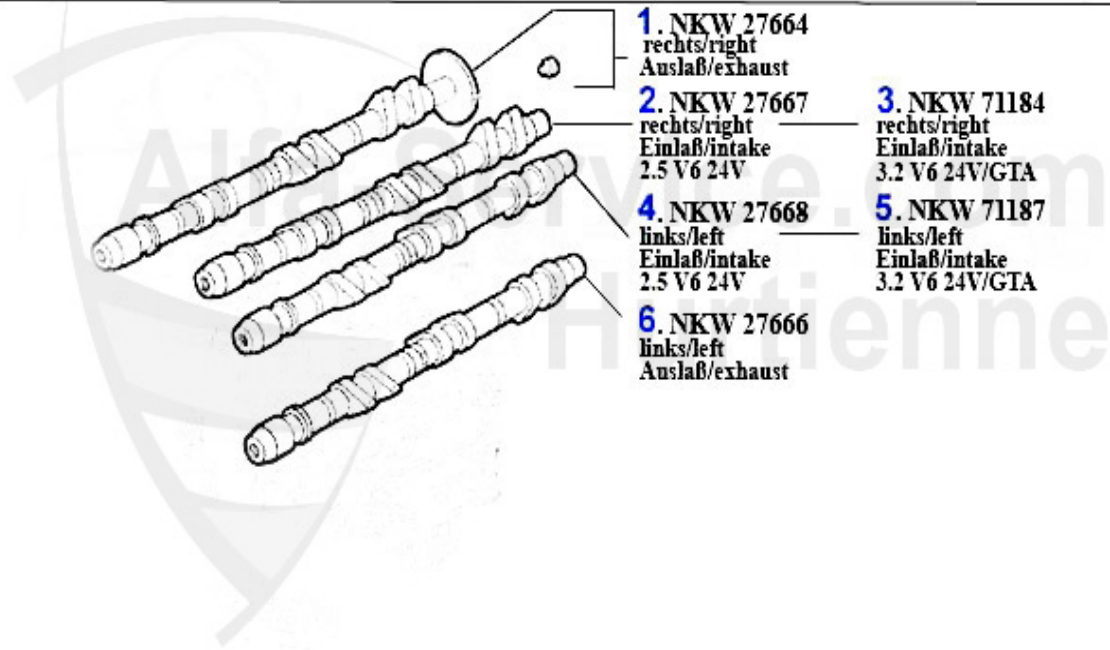
1	HST12769	HYDRAULIC VALVE LIFTER 145/6,147,155 156,166,GTV/SPIDER	6.50 EUR
2	VFA11582	Ventilführung Auslaß + 0.05 TS 16V	21.03 EUR
3	VA91934	EXHAUST VALVE 145/6,155,156,SPIDER/GTV (916) 1.6/1.8/2.	18.05 EUR
4	VE91933	INLET VALVE 145/6,155,156,SPIDER/GTV (916) 1.6/1.8/2.0	15.28 EUR
5	VFE11575	Ventilführung Einlaß +0.05 TS 16V	21.03 EUR

## Zahnriemen/Timing Belt 156 JTS



1	ZR94590	OE.60814319 TIMING BELT 168SHPN240H 145/6 1.8/2.0 IE/16	49.50 EUR
2	UR55851	OE. 60671573 DEFLECTION PULLEY 1.8 TS 16V 145/6, 147, 1	32.50 EUR
3	SR55850	Spannrolle Zahnriemen 145/6 1.4 ie 16V TS,155/6 1.6 ie	36.00 EUR
4	SZV60666199	ORIGINAL ADVANCE VARIATOR TS 16V FOR 145/6,155,156,164,	Preis auf Anfrage
5	ZR94591	Zahnriemen 130SLDD150H 145/6,155/6 2.0 16V TS Ausgleich	66.00 EUR
6	SR20443	Spannrolle für Ausgleichswelle 2.0 TS gtv/spider (916)	39.50 EUR

## Nockenwelle/Camshaft 156 V6 24V/GTA



**1. NKW 27664**  
rechts/right  
Auslaß/exhaust

**2. NKW 27667**  
rechts/right  
Einlaß/intake  
2.5 V6 24V

**4. NKW 27668**  
links/left  
Einlaß/intake  
2.5 V6 24V

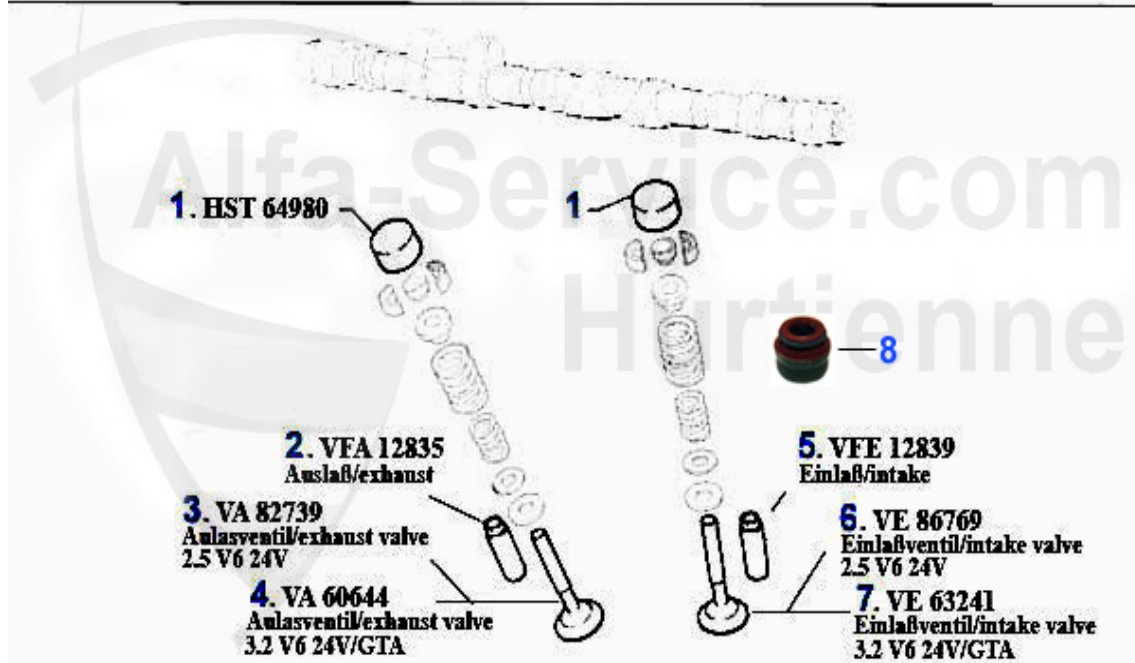
**6. NKW 27666**  
links/left  
Auslaß/exhaust

**3. NKW 71184**  
rechts/right  
Einlaß/intake  
3.2 V6 24V/GTA

**5. NKW 71187**  
links/left  
Einlaß/intake  
3.2 V6 24V/GTA

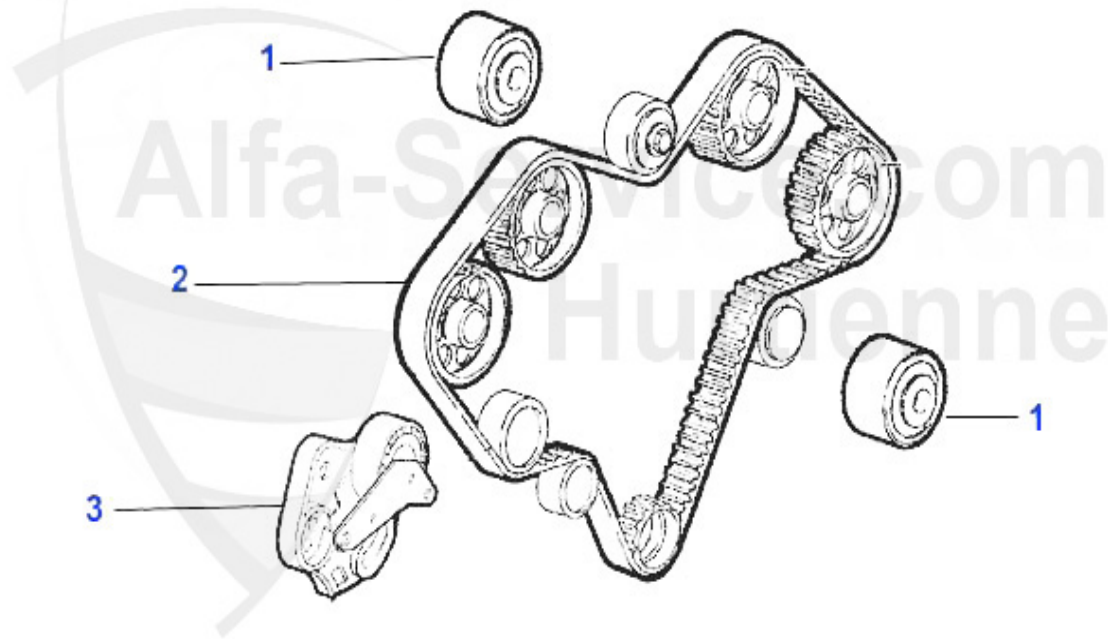
<b>1</b>	<b>NKW27664</b>	<b>Nockenwelle rechts (Auslaß) 156,166 2.5 V6 24V,gtv/spid</b>	<b>416.74 EUR</b>
<b>2</b>	<b>NKW27667</b>	<b>Nockenwelle rechts (Einlaß) 156,166 2.5 V6 24V,gtv/spid</b>	<b>253.59 EUR</b>
<b>3</b>	<b>NKW71184</b>	<b>OE. 60671184 Camshaft R Intake 3.2 V6 24V</b>	<b>630.70 EUR</b>
<b>4</b>	<b>NKW27668</b>	<b>Nockenwelle links (Einlaß) 156,166 2.5 V6 24V,gtv/spide</b>	<b>253.59 EUR</b>
<b>5</b>	<b>NKW71187</b>	<b>OE. 60671187 Camshaft R Intake 3.2 V6 24V</b>	<b>630.70 EUR</b>
<b>6</b>	<b>NKW27666</b>	<b>Nockenwelle links (Auslaß) 156,166 2.5 V6 24V,gtv/spide</b>	<b>416.74 EUR</b>

## Ventiltrieb/Valve Train 156 V6 24V/GTA



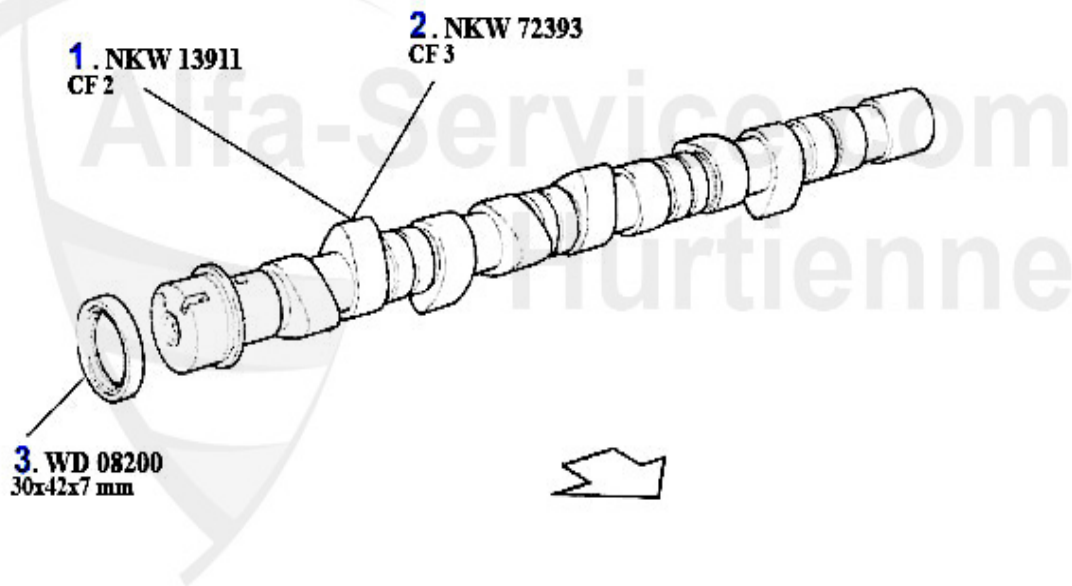
1	HST64980	VALVE TAPPET 33(907), 1.7 16V AR156 2.5 24V	31.50 EUR
2	VFA12835	Ventilführung Auslaß 147,156,164/ Super,gtv/spider (916	32.50 EUR
3	VA82739	OE. 60582739 VALVE EXHAUST 2.5 24V	47.49 EUR
4	VA60644	Exhaust Valve 3.0 V6 24V/3.2 GTA 147, 156	29.50 EUR
5	VFE12839	Ventilführung Einlaß 147,156,164/ Super,gtv/spider (916	32.50 EUR
6	VE86769	OE. 55186769 VALVE INTAKE 2.5 24V	35.00 EUR
7	VE63241	VALVE INTAKE 6-CYLINDER 116 3.0 L	29.00 EUR
8	VSD3357	VALVE STEM SEAL 2.5 V6/3.0 V6/3.2 V6/ 147,156,164,166,G	3.90 EUR

## Zahnriemen/Timing Belt 156 V6 24V/GTA



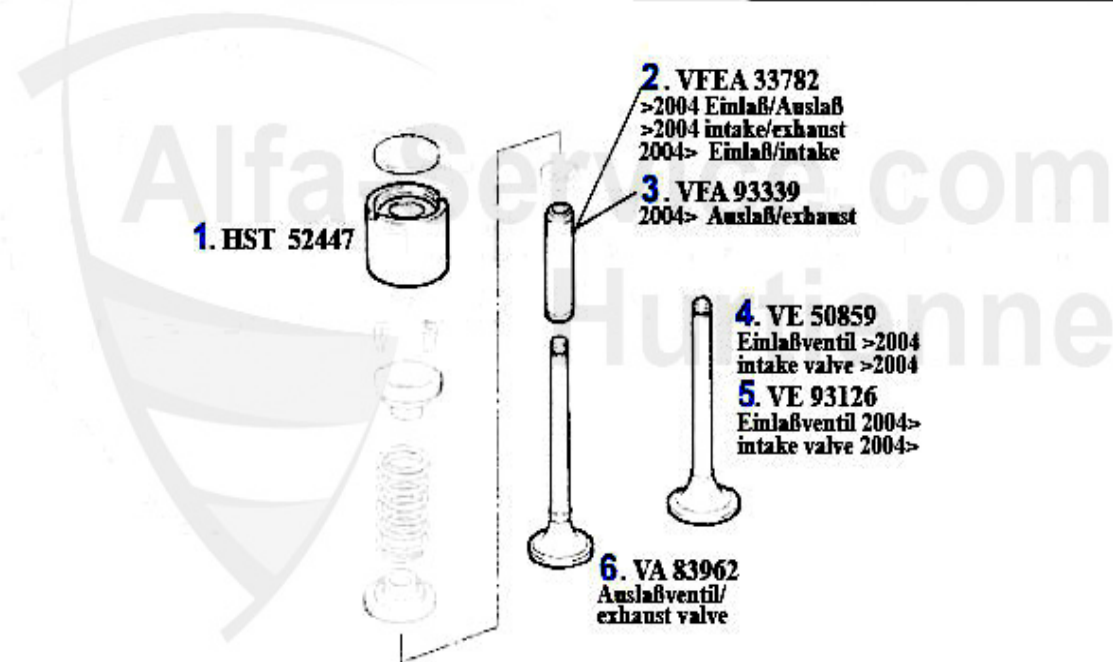
<b>1</b>	<b>UR55876</b>	<b>IDLER PULLEY FOR DRIVE BELT 147,156,166, GTV/SPIDER (91</b>	<b>79.90 EUR</b>
<b>2</b>	<b>ZR94741</b>	<b>TIMING BELT 185H9.5P280 147,156,166,GTV/ SPIDER (916),N</b>	<b>129.00 EUR</b>
<b>3</b>	<b>SR55875</b>	<b>OE. 55196536 BELTSTRETCHER</b>	<b>149.00 EUR</b>

## Nockenwelle/Camshaft 156 1.9 JTD 8V



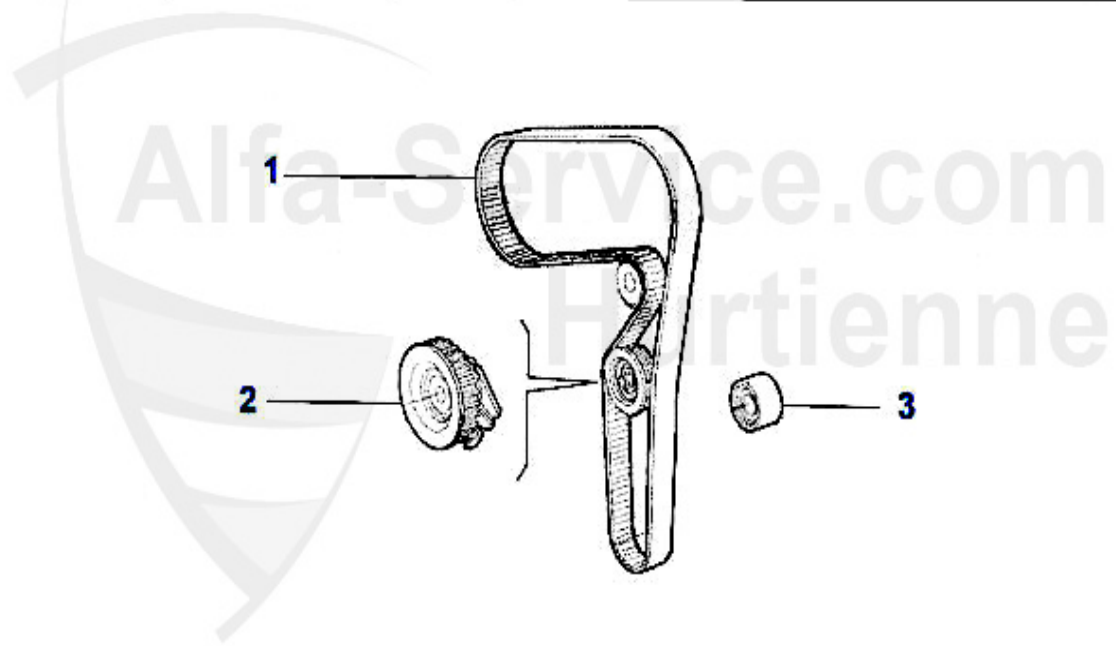
1	NKW13911	Nockenwelle 156,145/6 1.9 JTD (CF2)	204.14 EUR
2	NKW72393	OE. 46772393 Camshaft 1.9 JTD 8V	379.00 EUR
3	WD08200	CAMSHAFT 145/6,155,156,GTV/SPIDER (916), 166 VARIOUS 96	15.51 EUR

## Ventiltrieb/Valve Train 156 1.9 JTD 8V



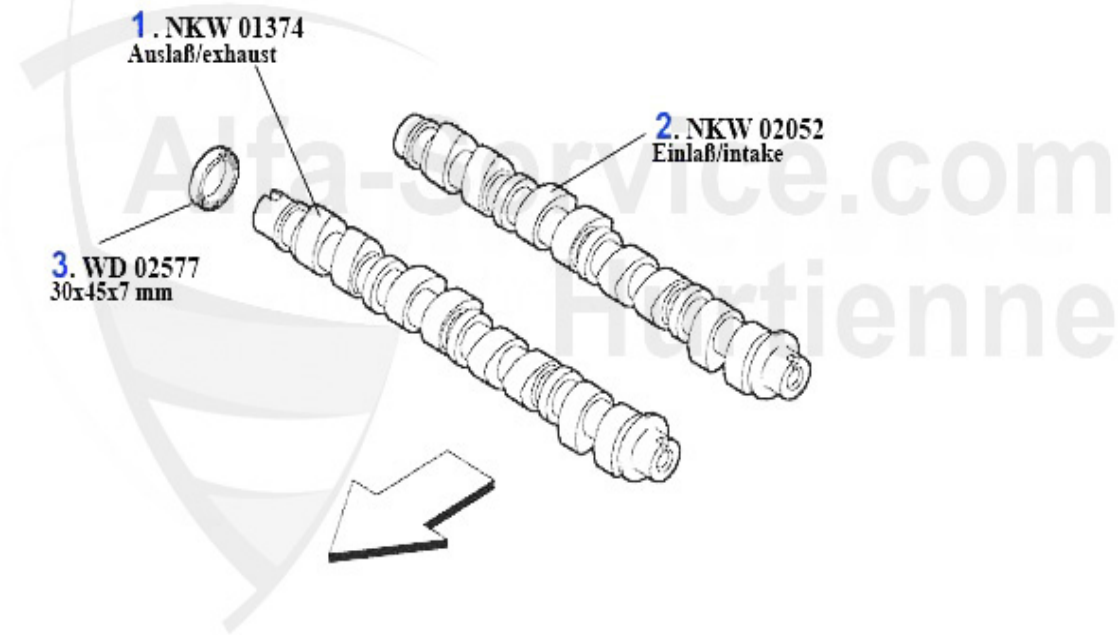
1	HST52447	Hydrost	14.26 EUR
2	VFEA33782	Ventilführung Ein-/Auslaß +0.05 JTD 8/10V 145/6,147,156	4.11 EUR
3	VFA93339	OE. 55193339 VALVE GUIDE INTAKE 1.9/2.4 JTD 8/10V 6.200	Preis auf Anfrage
4	VE50859	Ventil-Einlaß 145/6,147,156,166 JTD 8/10V	21.03 EUR
5	VE93126	Ventil-Einlaß 147,156,166 JTD 8/10V Bj. 6.04>	20.21 EUR
6	VA83962	Ventil-Auslaß 145/6,147,156,166 JTD 8/10V	32.83 EUR

## Zahnriemen/Timing Belt 156 1.9 JTD 8V



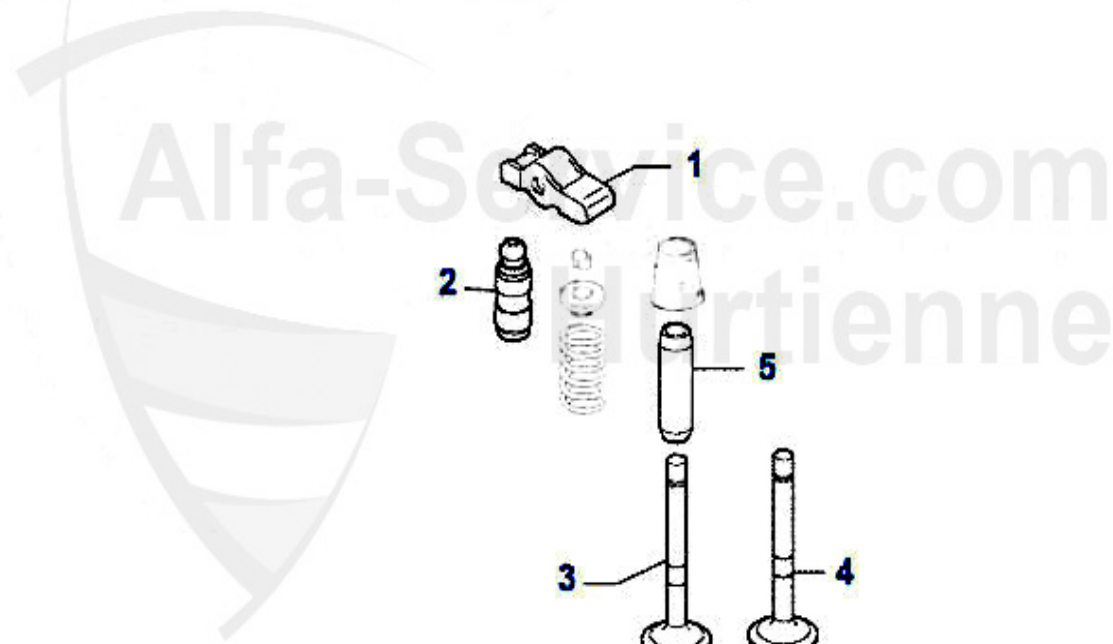
<b>1</b>	<b>ZR94713</b>	<b>OE.60814603 DRIVE BELT 190SHPN240H 145/6, 156,166 1.9/2</b>	<b>43.60 EUR</b>
<b>2</b>	<b>SR55844</b>	<b>TENSIONING PULLEY TIMING BELT 145/6/7 , 156 , 166 1,9 &amp;</b>	<b>68.22 EUR</b>
<b>3</b>	<b>UR55842</b>	<b>GUIDE PULLEY TIMING BELT 145/6/7,156 , 166 1,9 &amp; 2,4 JT</b>	<b>34.77 EUR</b>

## Nockenwelle/Camshaft 156 1.9 JTD 16V



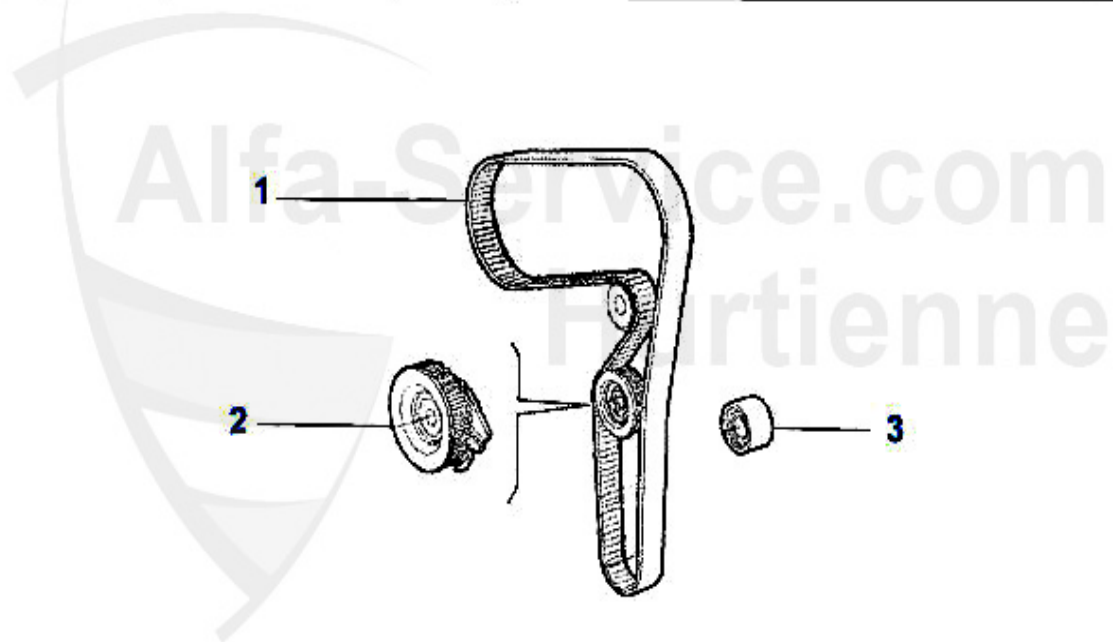
1	NKW01374	Nockenwelle Ausla	179.52 EUR
2	NKW02052	Nockenwelle Einla	208.25 EUR
3	WD02577	CRANKSHAFT OIL SEAL 147,156,166,NUOVO GT 1.9/2.4 JTD 16	5.90 EUR

## Ventiltrieb/Timing Train 156 1.9 JTD 10V



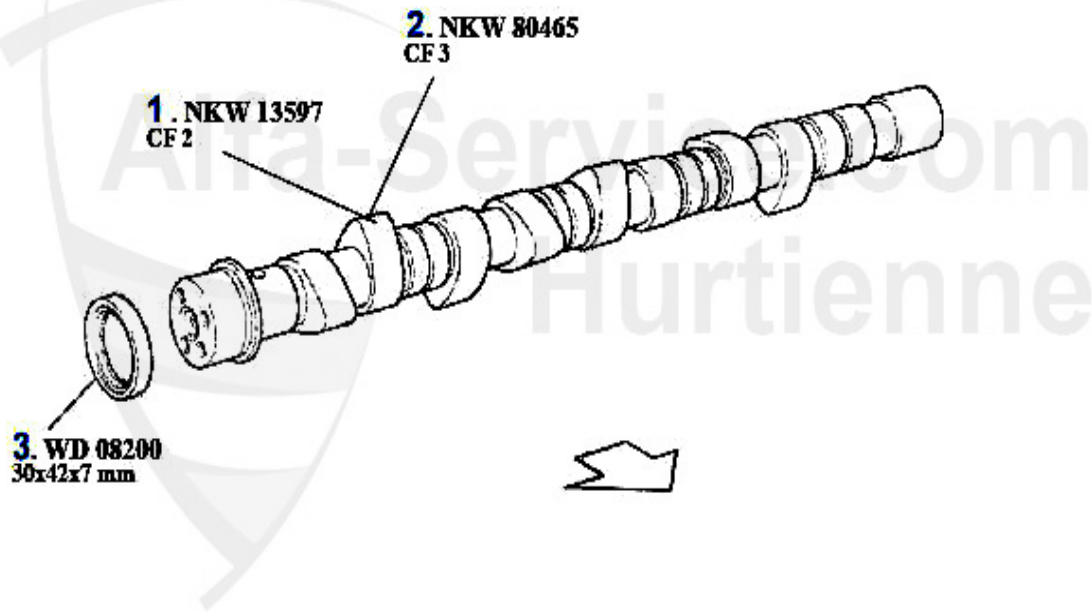
1	KH64765	Kipphebel 147,156,166,Nuovo GT JTD 16/20V	10.67 EUR
2	HST67972	Stößel 147,156,166,Nuovo GT JTD 16/20V	35.11 EUR
3	VE95535	OE. 55195535 Valve Intake JTD 16/20V	18.98 EUR
4	VA87902	OE. 46787902 Valve-Exhaust JTD 16/20V	20.00 EUR
5	VFEA86786	OE. 55186786 Valve Guide Intake/Exhaust JTD 16/20V	13.34 EUR

## Zahnriemen/Timing Belt 156 1.9 JTD 16V



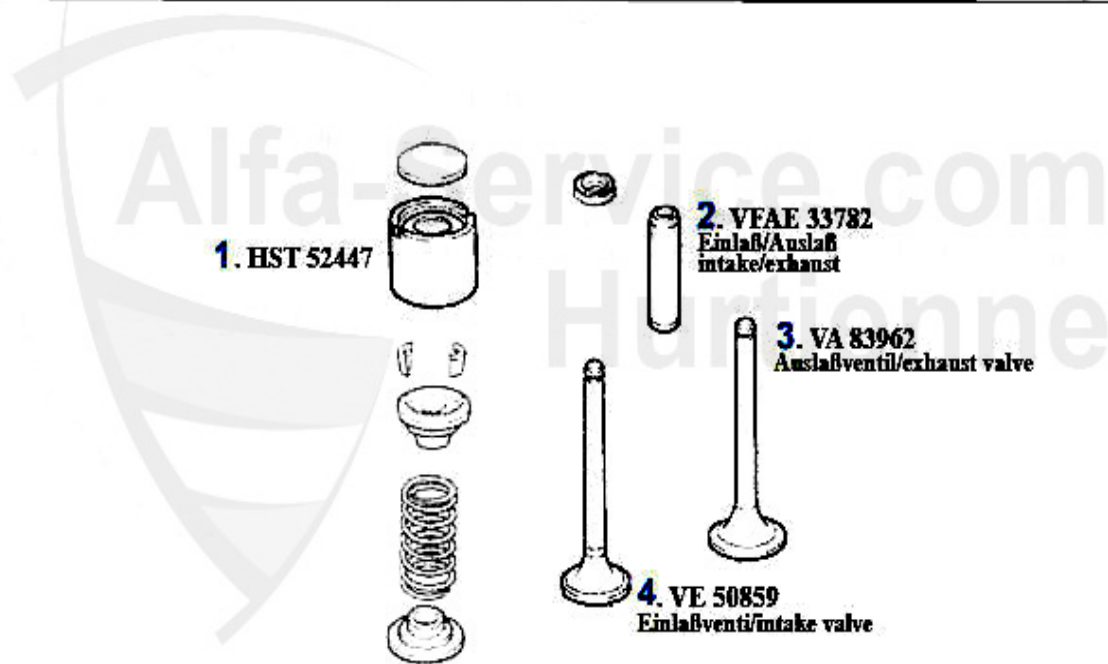
<b>1</b>	<b>ZR94958</b>	<b>Zahnriemen 147,156,166,Nuovo GT JTD 16/20V</b>	<b>58.48 EUR</b>
<b>2</b>	<b>SR55844</b>	<b>TENSIONING PULLEY TIMING BELT 145/6/7 , 156 , 166 1,9 &amp;</b>	<b>68.22 EUR</b>
<b>3</b>	<b>UR55842</b>	<b>GUIDE PULLEY TIMING BELT 145/6/7,156 , 166 1,9 &amp; 2,4 JT</b>	<b>34.77 EUR</b>

## Nockenwelle 156 2.4 JTD 10V



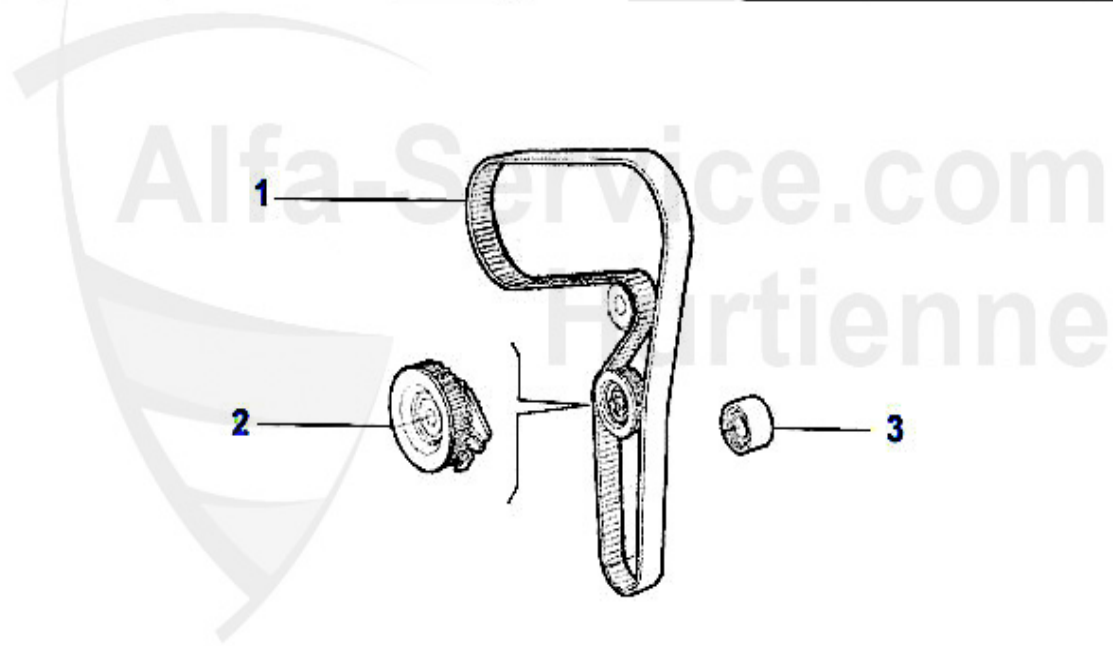
1	NKW13597	Nockenwelle 156,166 2.4 JTD CF2 (10 3 KW)	389.00 EUR
2	NKW80465	OE. 46780465 CAMSHAFT 2.4 JTD 10V (CF3)	735.00 EUR
3	WD08200	CAMSHAFT 145/6,155,156,GTV/SPIDER (916), 166 VARIOUS 96	15.51 EUR

## Ventiltrieb/Valve Train 156 2.4 JTD 10V



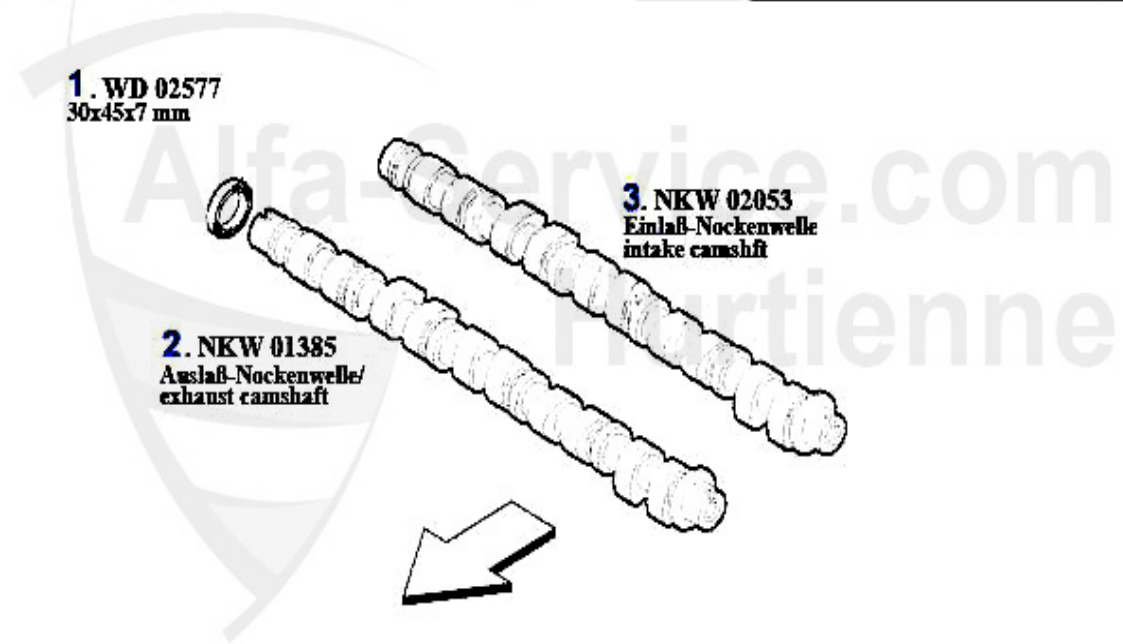
1	HST52447	Hydrost	14.26 EUR
2	VFAE33782	Ventilführung Ein-/Auslaß +0.05 JTD 8/10V 145/6,147,156	4.11 EUR
3	VA83962	Ventil-Auslaß 145/6,147,156,166 JTD 8/10V	32.83 EUR
4	VE50859	Ventil-Einlaß 145/6,147,156,166 JTD 8/10V	21.03 EUR

## Zahnriemen/Timing Belt 156 2.4 JTD 10V



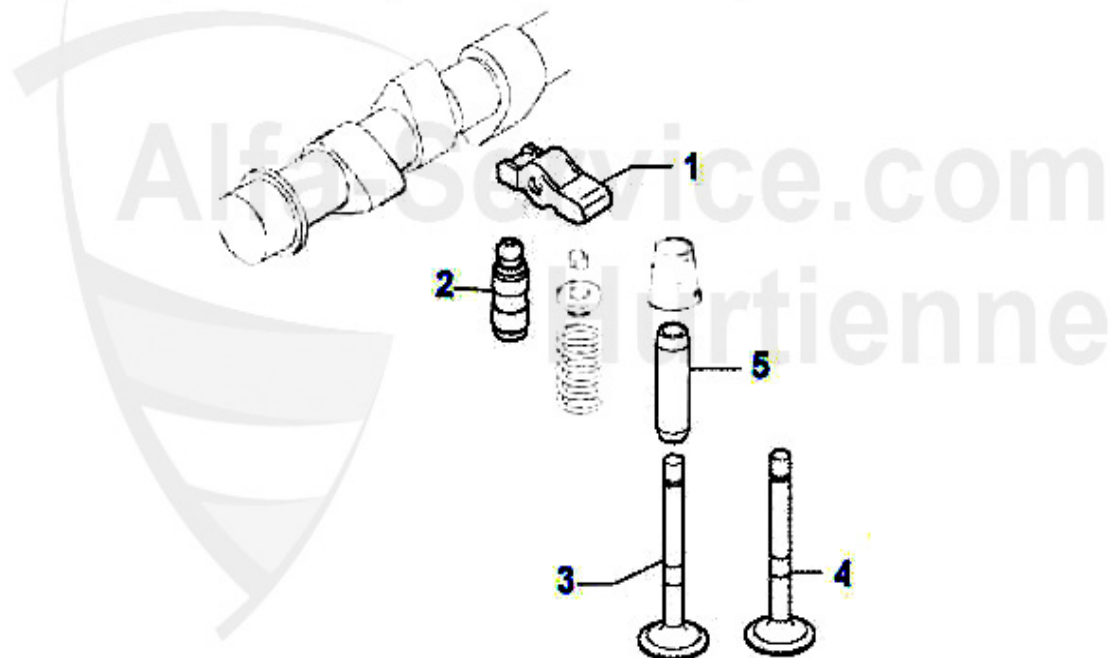
<b>1</b>	<b>ZR94713</b>	<b>OE.60814603 DRIVE BELT 190SHPN240H 145/6, 156,166 1.9/2</b>	<b>43.60 EUR</b>
<b>2</b>	<b>SR55844</b>	<b>TENSIONING PULLEY TIMING BELT 145/6/7 , 156 , 166 1,9 &amp;</b>	<b>68.22 EUR</b>
<b>3</b>	<b>UR55842</b>	<b>GUIDE PULLEY TIMING BELT 145/6/7,156 , 166 1,9 &amp; 2,4 JT</b>	<b>34.77 EUR</b>

## Nockenwelle/Camshaft 156 2.4 JTD 20V



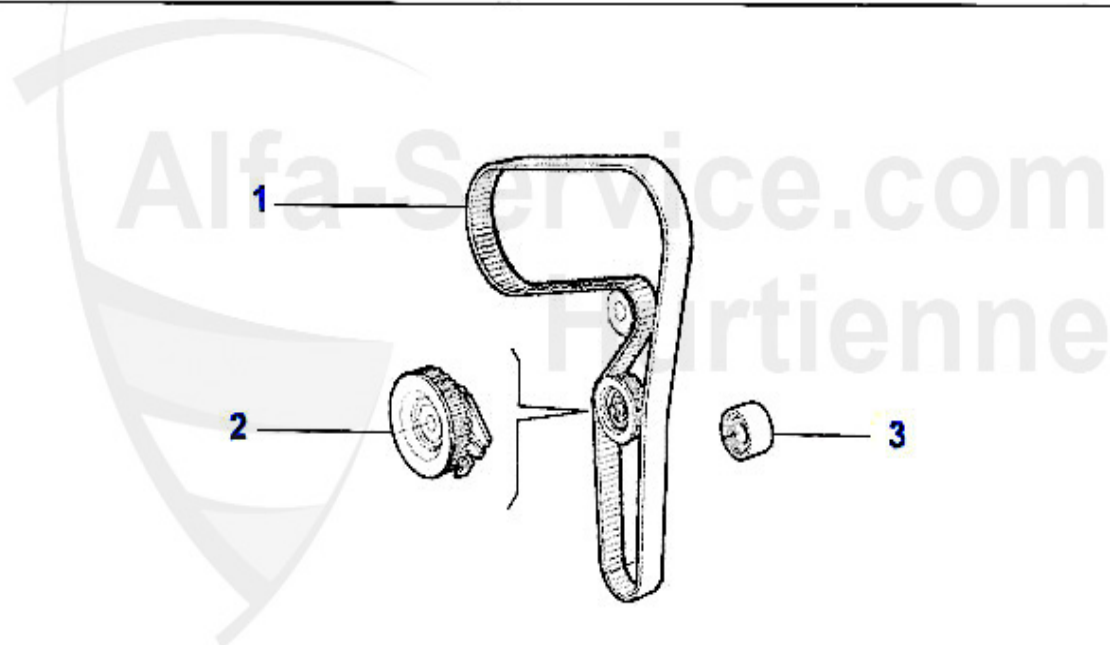
<b>1</b>	WD02577	CRANKSHAFT OIL SEAL 147,156,166,NUOVO GT 1.9/2.4 JTD 16	<b>5.90 EUR</b>
<b>2</b>	NKW01385	OE. 73501385 CAMSHAFT EXHAUST 2.4 JTD 20V	<b>299.00 EUR</b>
<b>3</b>	NKW02053	OE. 46802053 CAMSHAFT INTAKE 2.4 JTD 20V	<b>698.99 EUR</b>

## Ventiltrieb/Valve Train 156 2.4 JTD 20V



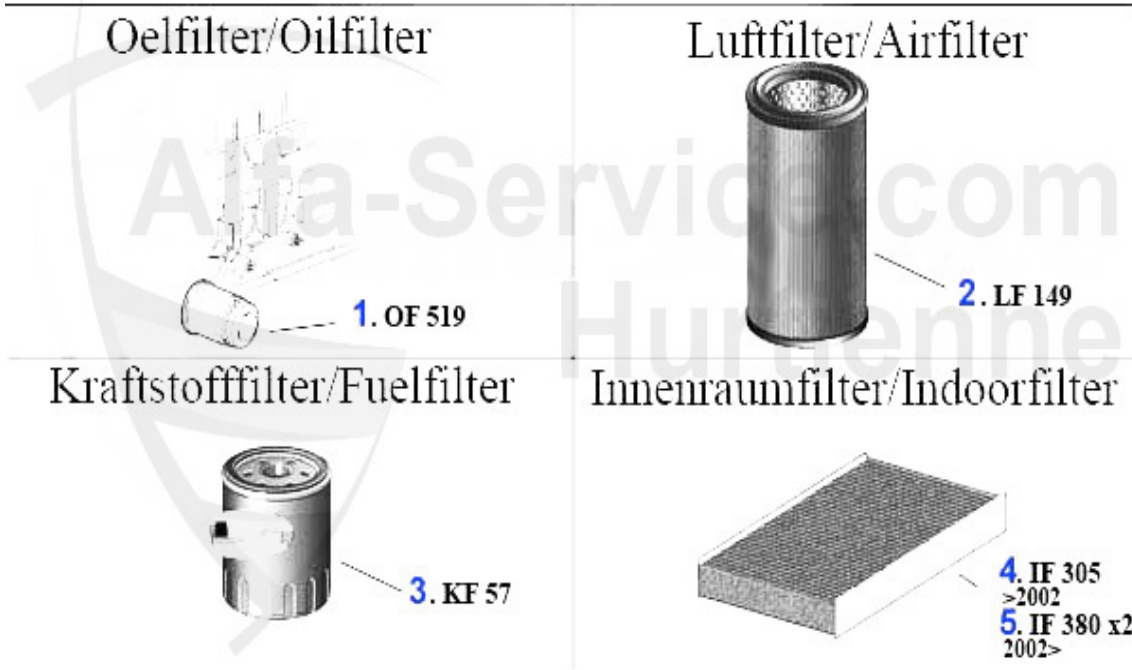
1	KH64765	Kipphebel 147,156,166,Nuovo GT JTD 16/20V	10.67 EUR
2	HST67972	Stößel 147,156,166,Nuovo GT JTD 16/20V	35.11 EUR
3	VE95535	OE. 55195535 Valve Intake JTD 16/20V	18.98 EUR
4	VA87902	OE. 46787902 Valve-Exhaust JTD 16/20V	20.00 EUR
5	VFEA86786	OE. 55186786 Valve Guide Intake/Exhaust JTD 16/20V	13.34 EUR

## Zahnriemen/Timing Belt 156 2.4 JTD 20V



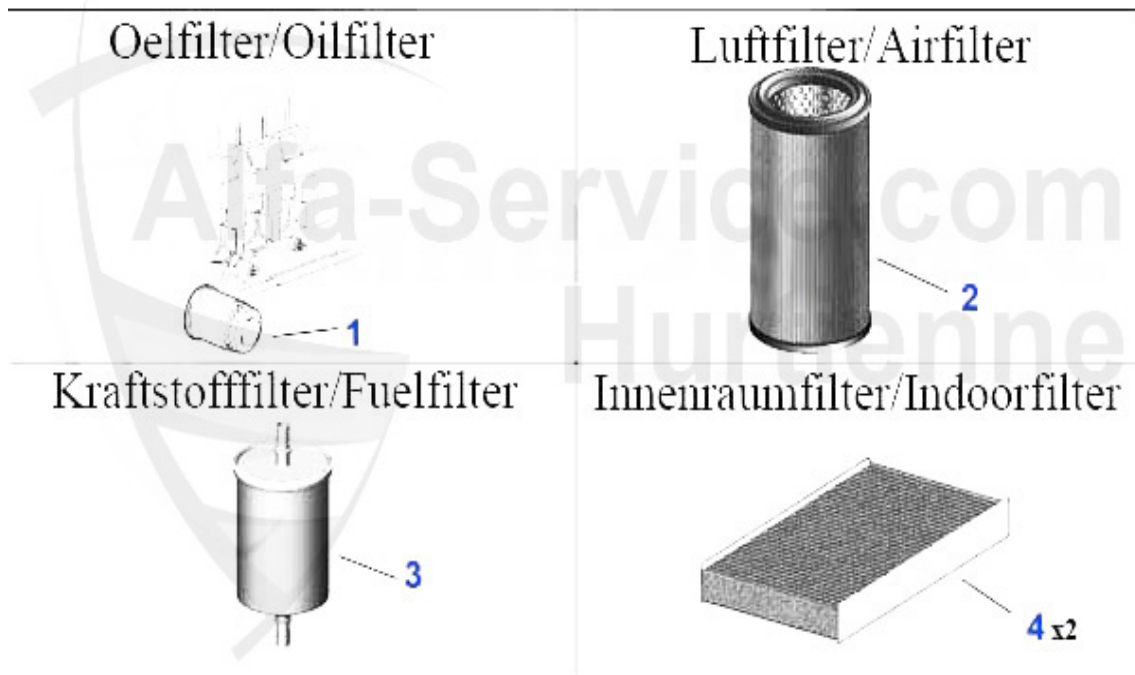
<b>1</b>	<b>ZR94958</b>	<b>Zahnriemen 147,156,166,Nuovo GT JTD 16/20V</b>	<b>58.48 EUR</b>
<b>2</b>	<b>SR55844</b>	<b>TENSIONING PULLEY TIMING BELT 145/6/7 , 156 , 166 1,9 &amp;</b>	<b>68.22 EUR</b>
<b>3</b>	<b>UR55842</b>	<b>GUIDE PULLEY TIMING BELT 145/6/7,156 , 166 1,9 &amp; 2,4 JT</b>	<b>34.77 EUR</b>

## Filter 156 TS



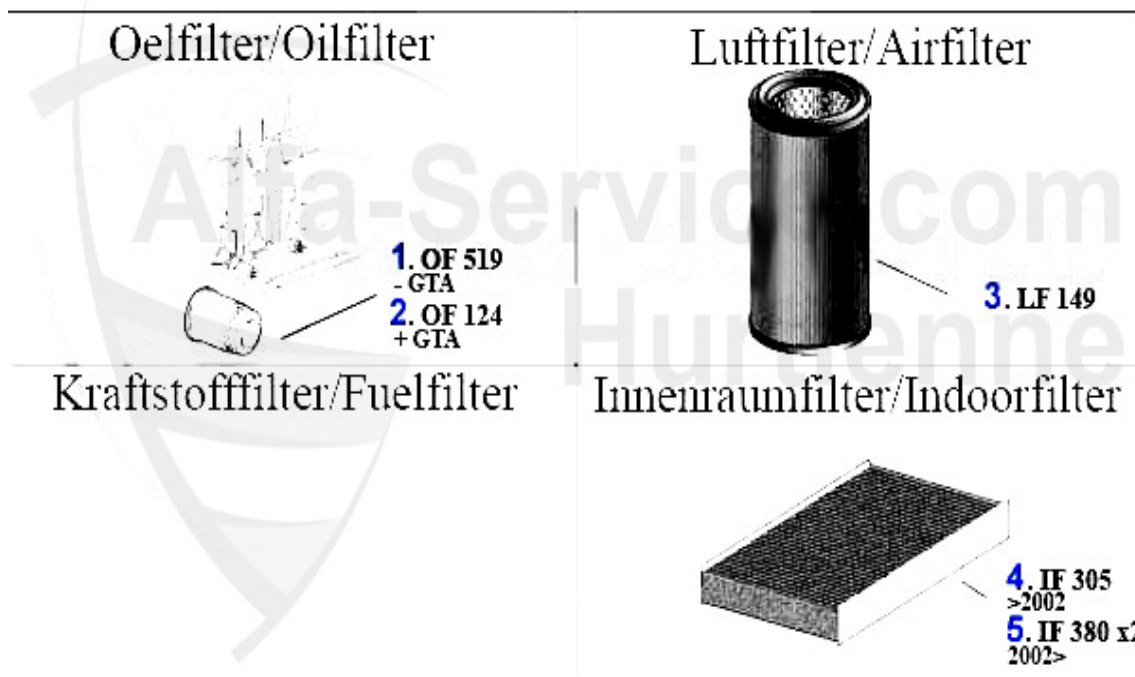
<b>1</b>	<b>OF519</b>	<b>OE. 46808398/71736159 OILFILTER</b>	<b>8.90 EUR</b>
<b>2</b>	<b>LF149</b>	<b>AIR FILTER 147 GTA,156 2.0 TS/JTS/V6 24V/JTD,NUOVO GT V</b>	<b>14.77 EUR</b>
<b>3</b>	<b>KF57</b>	<b>Kraftstoff-Filter 145/6,147,156 TS 16V,Leitungsfiler</b>	<b>10.77 EUR</b>
<b>4</b>	<b>IF305</b>	<b>INDOOR FILTER 156 &gt;02, FIRM</b>	<b>20.00 EUR</b>
<b>5</b>	<b>IF380</b>	<b>OE.46799653 pollen filter 147,156 2001&gt;,Nuovo GT, squar</b>	<b>17.23 EUR</b>

## Filter 156 JTS



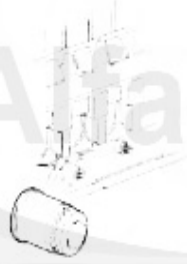


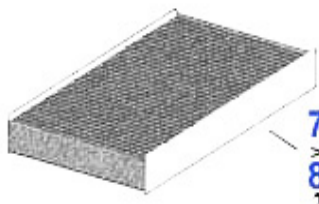
<b>1</b>	<b>OF272</b>	<b>OILFILTER 156/NUOVO,GTV/SPIDER(916) 2.0 JTS</b>	<b>14.43 EUR</b>
<b>2</b>	<b>LF149</b>	<b>AIR FILTER 147 GTA,156 2.0 TS/JTS/V6 24V/JTD,NUOVO GT V</b>	<b>14.77 EUR</b>
<b>3</b>	<b>KF75978</b>	<b>Kraftstofffilter 156 JTS</b>	<b>19.39 EUR</b>
<b>4</b>	<b>IF380</b>	<b>OE.46799653 pollen filter 147,156 2001&gt;,Nuovo GT, squar</b>	<b>17.23 EUR</b>

## Filter 156 V6 24V/GTA



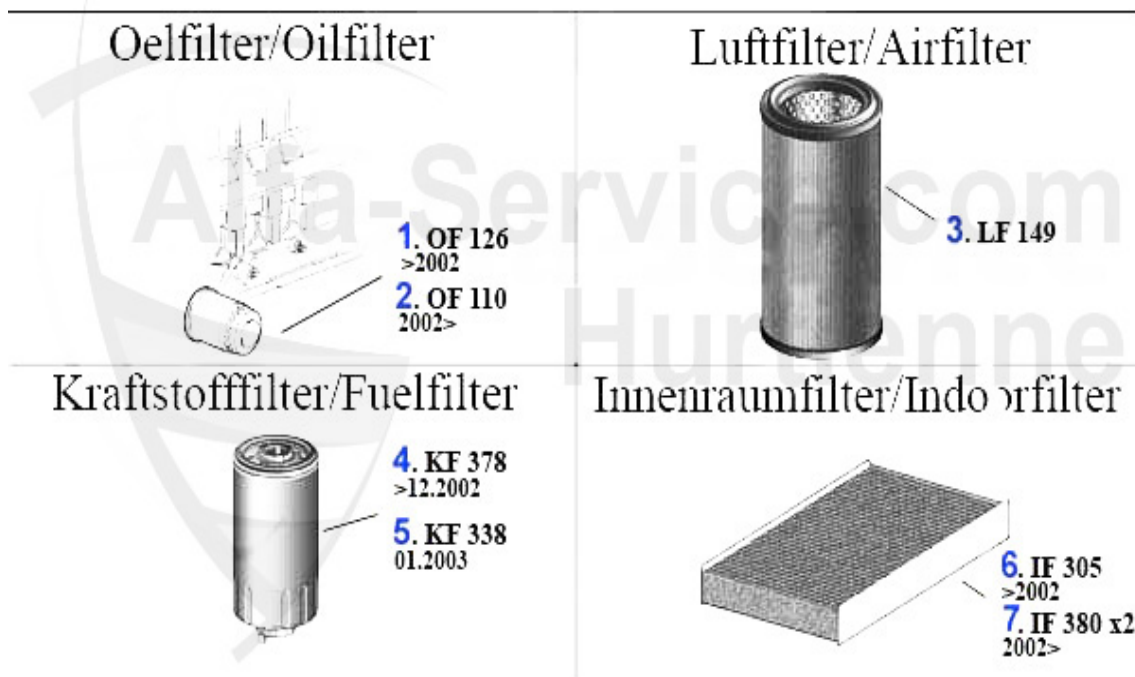
<b>1</b>	<b>OF519</b>	<b>OE. 46808398/71736159 OILFILTER</b>	<b>8.90 EUR</b>
<b>2</b>	<b>OF124</b>	<b>OE. 46805830 OILFILTER</b>	<b>9.13 EUR</b>
<b>3</b>	<b>LF149</b>	<b>AIR FILTER 147 GTA,156 2.0 TS/JTS/V6 24V/JTD,NUOVO GT V</b>	<b>14.77 EUR</b>
<b>4</b>	<b>IF305</b>	<b>INDOOR FILTER 156 &gt;02, FIRM</b>	<b>20.00 EUR</b>
<b>5</b>	<b>IF380</b>	<b>OE.46799653 pollen filter 147,156 2001&gt;,Nuovo GT, squar</b>	<b>17.23 EUR</b>

# Filter 156 1.9 JTD

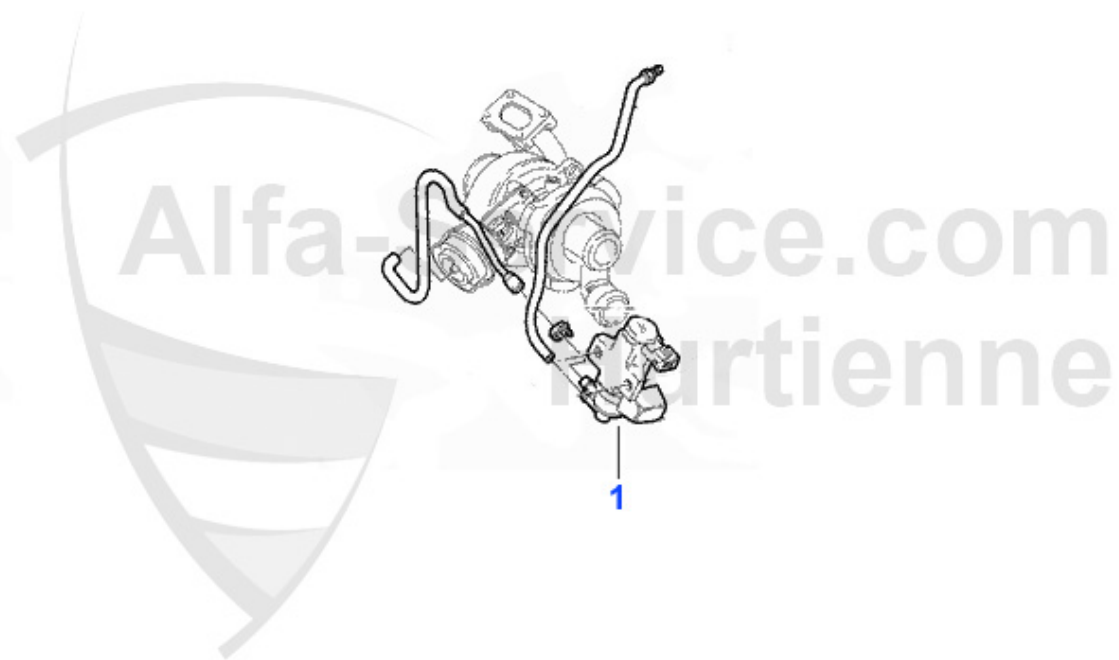
<p><b>Oelfilter/Oilfilter</b></p>  <p>1. OF 126 &gt;2002 2. OF 110 2002&gt;</p>	<p><b>Luftfilter/Airfilter</b></p>  <p>3. LF 149</p>
<p><b>Kraftstofffilter/Fuelfilter</b></p>  <p>4. KF 60 B 8V-CF2 5. KF 378 8V-CF3, &gt;12.2002 6. KF 338 8/16V-CF3, 01.2003&gt;</p>	<p><b>Innenraumfilter/Indoorfilter</b></p>  <p>7. IF 305 &gt;2002 8. IF 380 X2 2002&gt;</p>

<b>1</b>	<b>OF126</b>	<b>Ölfilter 145/6,147,156,166 JTD Anschraubpatrone</b>	<b>9.13 EUR</b>
<b>3</b>	<b>LF149</b>	<b>AIR FILTER 147 GTA,156 2.0 TS/JTS/V6 24V/JTD,NUOVO GT V</b>	<b>14.77 EUR</b>
<b>4</b>	<b>KF60B</b>	<b>Kraftstoff-Filter 145/6,156,166 JTD (CF2) Bj. &gt;01,Ansch</b>	<b>12.83 EUR</b>
<b>5</b>	<b>KF378</b>	<b>Kraftstoff-Filter 147,156,166 1.9 JTD 8V (CF3)/2.4 JTD</b>	<b>32.93 EUR</b>
<b>6</b>	<b>KF338</b>	<b>Kraftstofffilter 147,156,166,Nuovo G T JTD (CF3),Bj 01&gt;</b>	<b>28.62 EUR</b>
<b>7</b>	<b>IF305</b>	<b>INDOOR FILTER 156 &gt;02, FIRM</b>	<b>20.00 EUR</b>
<b>8</b>	<b>IF380</b>	<b>OE.46799653 pollen filter 147,156 2001&gt;,Nuovo GT, squar</b>	<b>17.23 EUR</b>

## Filter 156 2.4 JTD



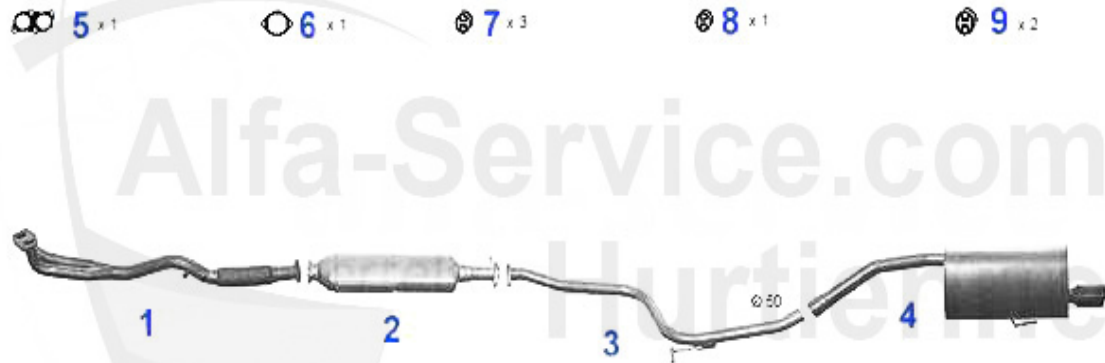
1	OF126	Ölfilter 145/6,147,156,166 JTD Anschraubpatrone	9.13 EUR
3	LF149	AIR FILTER 147 GTA,156 2.0 TS/JTS/V6 24V/JTD,NUOVO GT V	14.77 EUR
4	KF378	Kraftstoff-Filter 147,156,166 1.9 JTD 8V (CF3)/2.4 JTD	32.93 EUR
5	KF338	Kraftstofffilter 147,156,166,Nuovo G T JTD (CF3),Bj 01>	28.62 EUR
6	IF305	INDOOR FILTER 156 >02, FIRM	20.00 EUR
7	IF380	OE.46799653 pollen filter 147,156 2001>,Nuovo GT, squar	17.23 EUR



1 STV203202 ELECTRO VALVE FOR TURBO 147, 156, 159, 166,GT, Brera, M

68.94 EUR

# Abgasanlage/Exhaust System 156 TS CF2

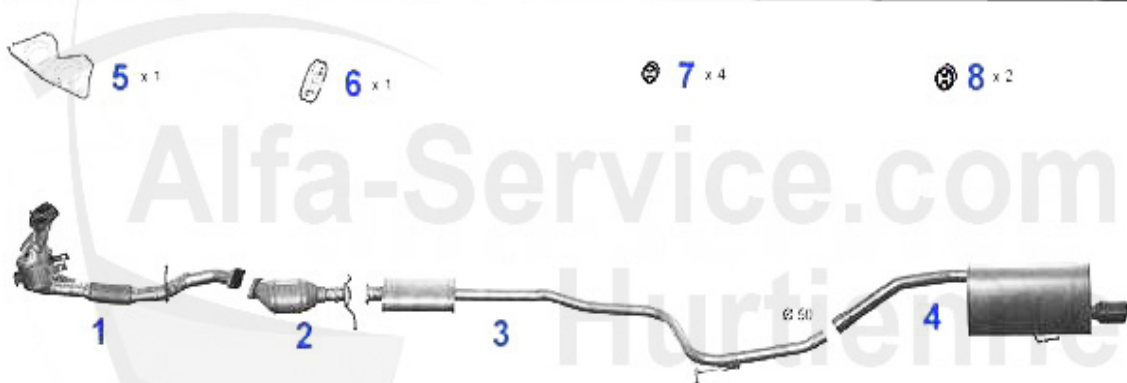


156 16V T.S. 1.6/1.8/2.0 EURO 2 +SPORTWAGEN

10/97-

1	VSD116401	Vorschalldämpfer 156 1.6-1.8 16V TS (außer Selespeed) B	232.05 EUR
2	KAT116433	CATALYZER 156 1.6-2.0 16V TS 97< (EURO 2 NORM)	599.00 EUR
3	MR116404	Mittelrohr 156 1.6-2.0 16V TS bj. 97> (abgasnorm euro 2	79.00 EUR
4	NSD116407	REAR SILENCER 156 1.6-2.0 16V TS 97>	169.00 EUR
5	SAT094474	Dichtung VSD spider/gtv (916) 145/6,155,156 2.0 TS 16V	10.77 EUR
6	SAT094484	Dichtung VSD/Kat Diverse	5.50 EUR
7	SAT091143	SILENT BLOC MUFFLER SUSPENSION SPIDER/ GTV (916),156,16	3.53 EUR
8	SAT091066	OE.60655991 rubber exhaust hanger 147/156	4.00 EUR

# Abgasanlage/Exhaust System 156 TS CF3

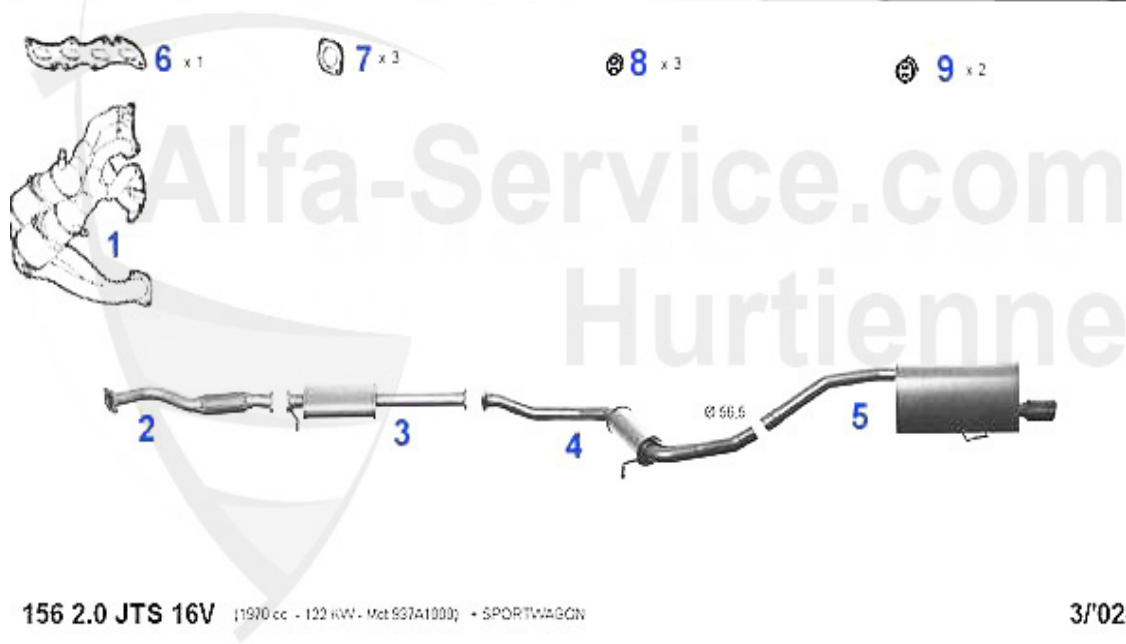


156 16V T.S. 1.6/1.8/2.0 EURO 3 + SPORTWAGON

11/'00-

1	KAT74247	OE. 60674247 EXHAUST PIPE 1st KATALYSATOR 156 1.8 TS CF	983.50 EUR
1	KAT39668	OE. 46739668 EXHAUST PIPE/1ST KAT 147 1.6(88KW)/2.0 TS	995.09 EUR
2	KAT39666	OE. 46739666 SILENCER CATALIZED/2nd KAT 147 1.6(88KW)/2	902.76 EUR
3	MSD116406	CENTER MUFFLER 156 1.6-2.0 16V TS 00> CF3,Nuovo GT 1.8	199.00 EUR
4	NSD116407	REAR SILENCER 156 1.6-2.0 16V TS 97>	169.00 EUR
5	SAT094038	OE. 46803532 GASKET f. KAT 147,156,916 you need 2 rings	9.13 EUR
6	SAT74963	Dichtung Kat 147 1.6 TS (88KW),156/ SW,gtv/spider (916)	11.19 EUR
7	SAT091143	SILENT BLOC MUFFLER SUSPENSION SPIDER/ GTV (916),156,16	3.53 EUR
8	SAT091066	OE.60655991 rubber exhaust hanger 147/156	4.00 EUR

# Abgasanlage/Exhaust System 156 2.0 JTS

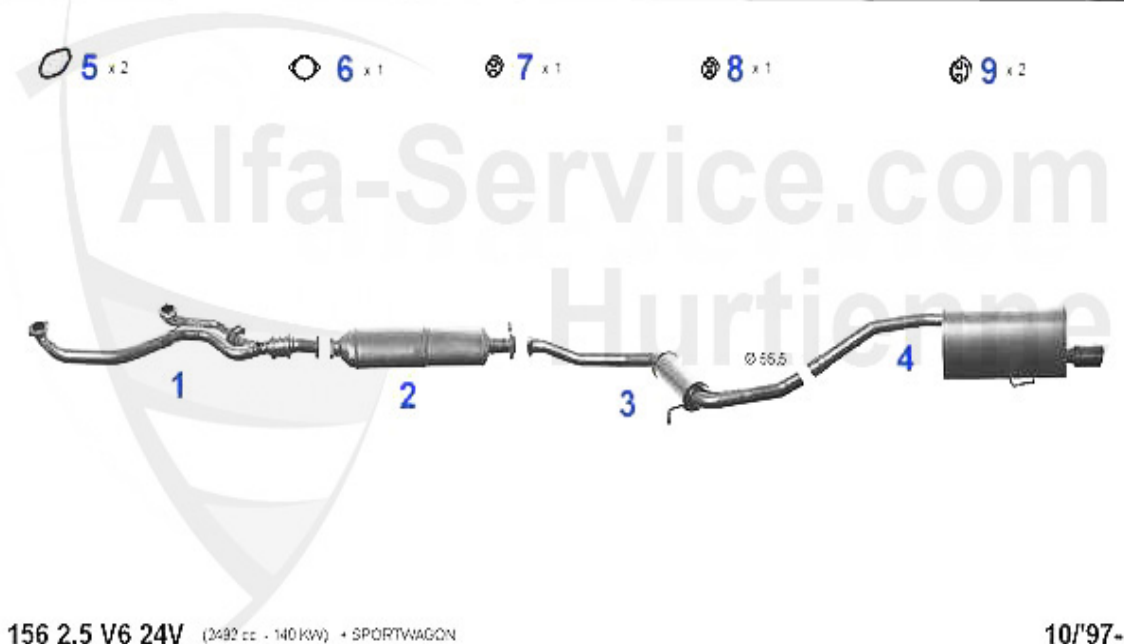


156 2.0 JTS 16V (1970 cc - 122 kW - Met 937A1000) + SPORTWAGON

3/02-

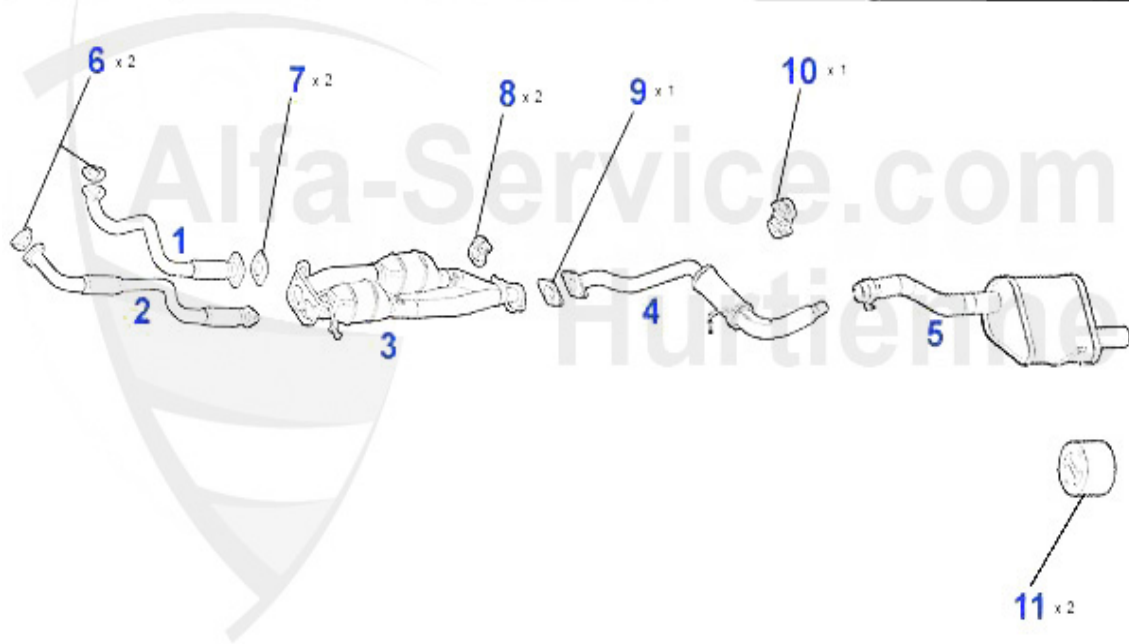
1	KAT80214	OE. 55180214 EXHAUST PIPE/KATALYSATOR 156/SW JTS	1465.00 EUR
2	VR116545	FRONT MUFFLER 156/GTV/SPIDER (916)/NUOVO GT 2.0 JTS	184.65 EUR
3	KAT116503	CENTER CATALYST 156/NUOVO GT 2.0 JTS	629.00 EUR
4	MSD116506	Mitteltopf 156 2.0 JTS 16V bj. 02> 156 2.5 V6 bj. 97>/N	127.00 EUR
5	NSD116507	REAR SILENCER 156 2.5 V6 24V 97- 156 2.0 JTS 16V 02>	229.00 EUR
6	AGKD02761	EXHAUST MANIFOLD GASKET 145/6,147,155, 156,166,GTV/SPID	24.00 EUR
7	SAT094484	Dichtung VSD/Kat Diverse	5.50 EUR
8	SAT091143	SILENT BLOC MUFFLER SUSPENSION SPIDER/ GTV (916),156,16	3.53 EUR
9	SAT091066	OE.60655991 rubber exhaust hanger 147/156	4.00 EUR

## Abgasanlage/Exhaust System 156 V6 24V



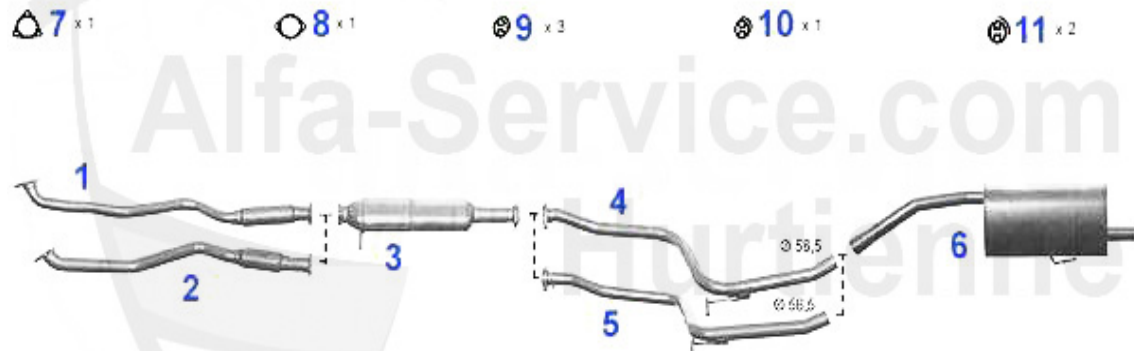
1	VR52860	FRONT MUFFLER 156/SW 2.5 V6 24V (manual transmission)	430.05 EUR
1	VR58227	OE. 60658227 EXHAUST PIPE 156/SW 2.5 V6 24V AUTOMATIC T	435.99 EUR
2	KAT116533	CATALYST 156 2.5 V6 97>	816.59 EUR
3	MSD116506	Mitteltopf 156 2.0 JTS 16V bj. 02> 156 2.5 V6 bj. 97>/N	127.00 EUR
4	NSD116507	REAR SILENCER 156 2.5 V6 24V 97- 156 2.0 JTS 16V 02>	229.00 EUR
5	SAT54239	GASKET 156,164 SUPER,166,GTV/SPIDER (916) V6 24V (OE 60	10.14 EUR
6	SAT094484	Dichtung VSD/Kat Diverse	5.50 EUR
7	SAT091143	SILENT BLOC MUFFLER SUSPENSION SPIDER/ GTV (916),156,16	3.53 EUR
9	SAT091066	OE.60655991 rubber exhaust hanger 147/156	4.00 EUR

Abgasanlage/Exhaust System 156 2.5 V6 24V/GTA Bj. 02>



1	VR69658	OE. 60669658 EXHAUST PIPE FR 147 GTA	299.00 EUR
2	VR69659	OE. 60669659 EXHAUST PIPE FL 147 GTA	369.00 EUR
3	KAT76395	OE. 60676395 SILENCER CATALIZED 156/SW GTA	1200.26 EUR
3	KAT70266	OE. 60670266 SILENCER CATALIZED 156/SW 2.5 V6 24V 2002>	1282.33 EUR
4	MSD116506	Mitteltopf 156 2.0 JTS 16V bj. 02> 156 2.5 V6 bj. 97>/N	127.00 EUR
4	MSD76396	OE. 60676396 MIDDLE SILENCER 156/SW GTA	399.00 EUR
5	NSD116507	REAR SILENCER 156 2.5 V6 24V 97- 156 2.0 JTS 16V 02>	229.00 EUR
5	NSD76397	OE. 60676397 REAR SILENCER 156/SW GTA	650.00 EUR
6	SAT69665	OE. 60669665 SEALING GASKET f. EXHAUST PIPE 147,156,166	7.18 EUR
7	SAT094484	Dichtung VSD/Kat Diverse	5.50 EUR
8	SAT091143	SILENT BLOC MUFFLER SUSPENSION SPIDER/ GTV (916),156,16	3.53 EUR
10	SAT091066	OE.60655991 rubber exhaust hanger 147/156	4.00 EUR

# Abgasanlage/Exhaust System 156 1.9 JTD 8V

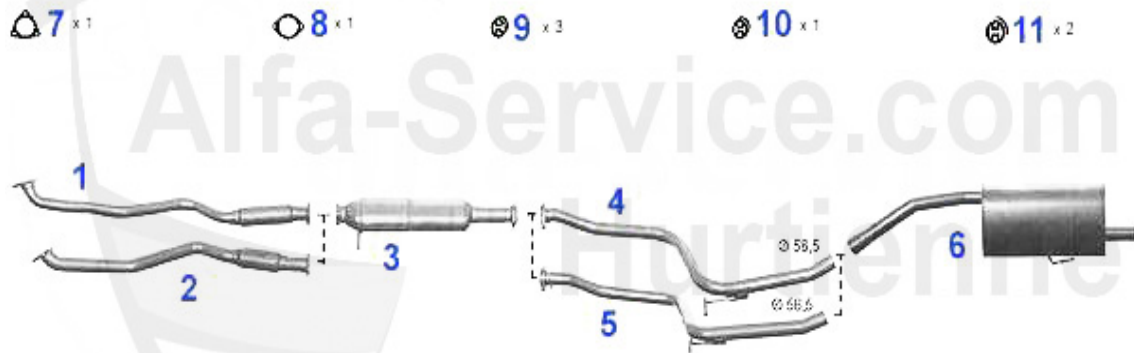


156 JTD TURBO DIESEL 1.9 8/16 V - (1910 cc - 77/81/85/103 KW) - + EURO 5/ + SPORTWAGON

10/'97-

1	VSD116601	Vorschalldämpfer 156 1.9 JTD bj. 97> bis # 0434143	222.51 EUR
2	VSD116631	Vorschalldämpfer 147 1.9 JTD bj. 10.00> 156 1.9 JTD bj.	219.02 EUR
3	KAT116633	CENTER CATALYST 147 1.9 JTD,156 1.9 & 2.4 JTD 97>	692.97 EUR
4	MR116604	Mittelrohr 156 1.9 & 2.4 JTD 1.9 JTD bis # 0434143	105.01 EUR
5	MR116634	Mittelrohr 156 1.9 JTD ab # 0434143 Nuovo GT 1.9 JTD CF	109.00 EUR
6	NSD116607	REAR SILENCER 156 1.9 & 2.4 JTD 97>	193.38 EUR
7	SAT094560	GASKET FRONT MUFFLER 145/6,156,166 JTD	4.62 EUR
8	SAT094484	Dichtung VSD/Kat Diverse	5.50 EUR
9	SAT091143	SILENT BLOC MUFFLER SUSPENSION SPIDER/ GTV (916),156,16	3.53 EUR
10	SAT091066	OE.60655991 rubber exhaust hanger 147/156	4.00 EUR

# Abgasanlage/Exhaust System 156 1.9 JTD 16V

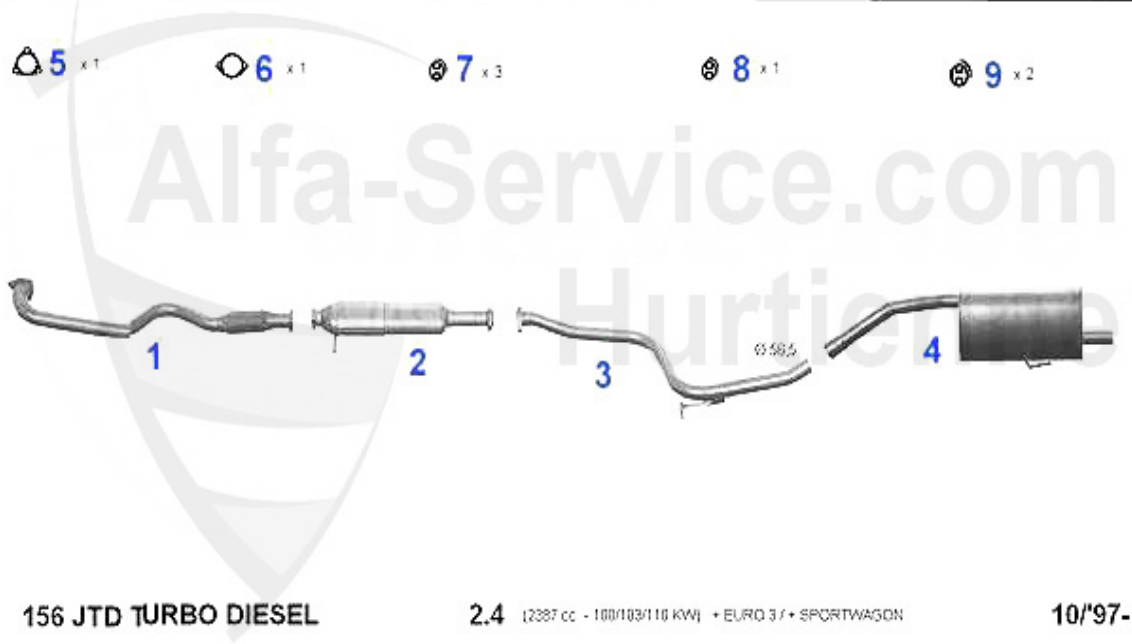


156 JTD TURBO DIESEL 1.9 8/16 V - (1910 cc - 77/81/85/103 KW) - + EURO 5/+ SPORTWAGON

10/'97-

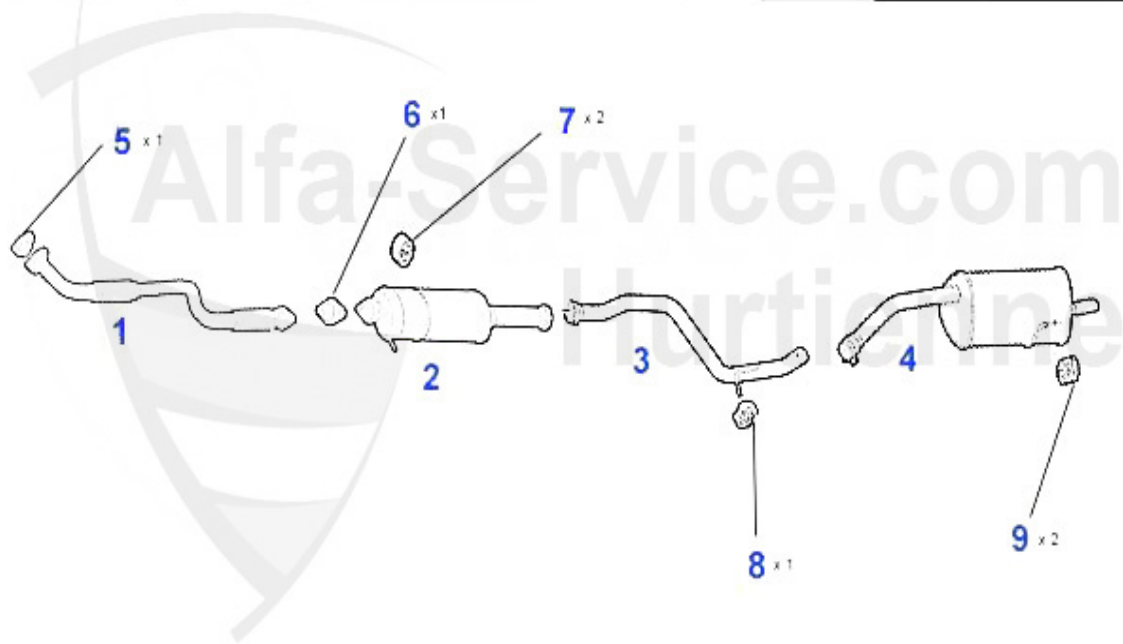
1	VSD116601	Vorschalldämpfer 156 1.9 JTD bj. 97> bis # 0434143	222.51 EUR
2	VSD116631	Vorschalldämpfer 147 1.9 JTD bj. 10.00> 156 1.9 JTD bj.	219.02 EUR
3	KAT116633	CENTER CATALYST 147 1.9 JTD,156 1.9 & 2.4 JTD 97>	692.97 EUR
4	MR116604	Mittelrohr 156 1.9 & 2.4 JTD 1.9 JTD bis # 0434143	105.01 EUR
5	MR116634	Mittelrohr 156 1.9 JTD ab # 0434143 Nuovo GT 1.9 JTD CF	109.00 EUR
6	NSD116607	REAR SILENCER 156 1.9 & 2.4 JTD 97>	193.38 EUR
7	SAT094560	GASKET FRONT MUFFLER 145/6,156,166 JTD	4.62 EUR
8	SAT094484	Dichtung VSD/Kat Diverse	5.50 EUR
9	SAT091143	SILENT BLOC MUFFLER SUSPENSION SPIDER/ GTV (916),156,16	3.53 EUR
10	SAT091066	OE.60655991 rubber exhaust hanger 147/156	4.00 EUR

## Abgasanlage/Exhaust System 156 2.4 JTD 10V



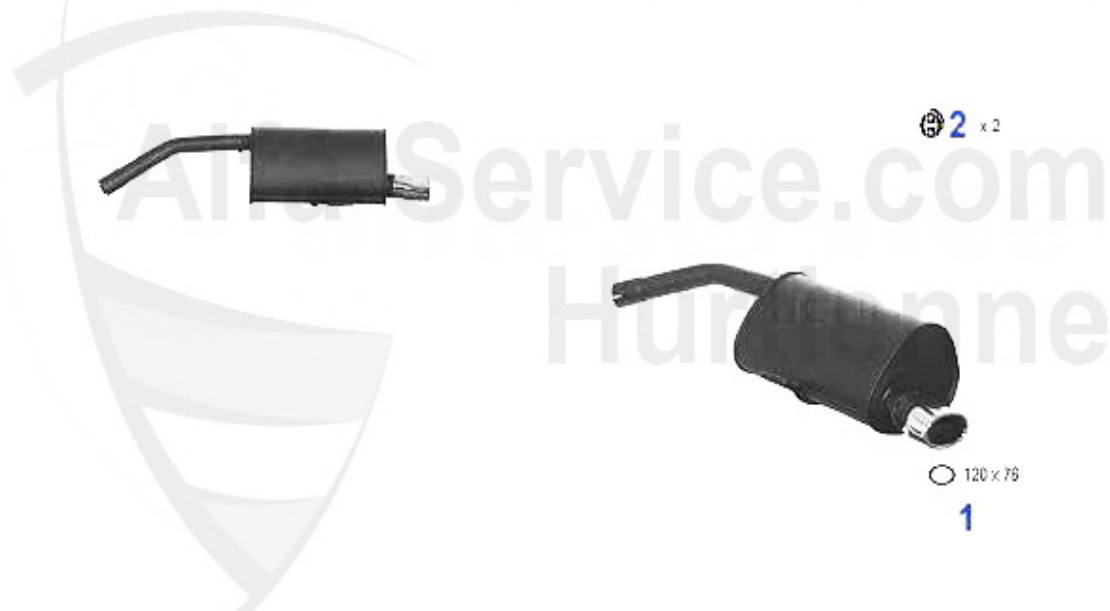
1	VSD116621	Vorschalldämpfer 156 2.4 JTD bj. 97>	214.40 EUR
2	KAT116633	CENTER CATALYST 147 1.9 JTD,156 1.9 & 2.4 JTD 97>	692.97 EUR
3	MR116604	Mittelrohr 156 1.9 & 2.4 JTD 1.9 JTD bis # 0434143	105.01 EUR
4	NSD116607	REAR SILENCER 156 1.9 & 2.4 JTD 97>	193.38 EUR
5	SAT094560	GASKET FRONT MUFFLER 145/6,156,166 JTD	4.62 EUR
6	SAT094484	Dichtung VSD/Kat Diverse	5.50 EUR
7	SAT091143	SILENT BLOC MUFFLER SUSPENSION SPIDER/ GTV (916),156,16	3.53 EUR
8	SAT091066	OE.60655991 rubber exhaust hanger 147/156	4.00 EUR

## Abgasanlage/Exhaust System 156 2.4 JTD 20V



1	VR90242	OE. 55190242 EXHAUST PIPE 156/SW 2.4 JTD 20V	Preis auf Anfrage
2	KAT85208	OE. 55185208 SILENCER CATALIZED 156/SW 2.4 JTD 20V	866.86 EUR
3	MR116604	Mittelrohr 156 1.9 & 2.4 JTD 1.9 JTD bis # 0434143	105.01 EUR
4	NSD85211	OE. 55185211 REAR SILENCER 156/SW 2.4 JTD 20V	282.11 EUR
5	SAT094560	GASKET FRONT MUFFLER 145/6,156,166 JTD	4.62 EUR
6	SAT094484	Dichtung VSD/Kat Diverse	5.50 EUR
7	SAT091143	SILENT BLOC MUFFLER SUSPENSION SPIDER/ GTV (916),156,16	3.53 EUR
8	SAT091066	OE.60655991 rubber exhaust hanger 147/156	4.00 EUR

## Sportauspuff/Sport Exhaust System 156 TS CF2

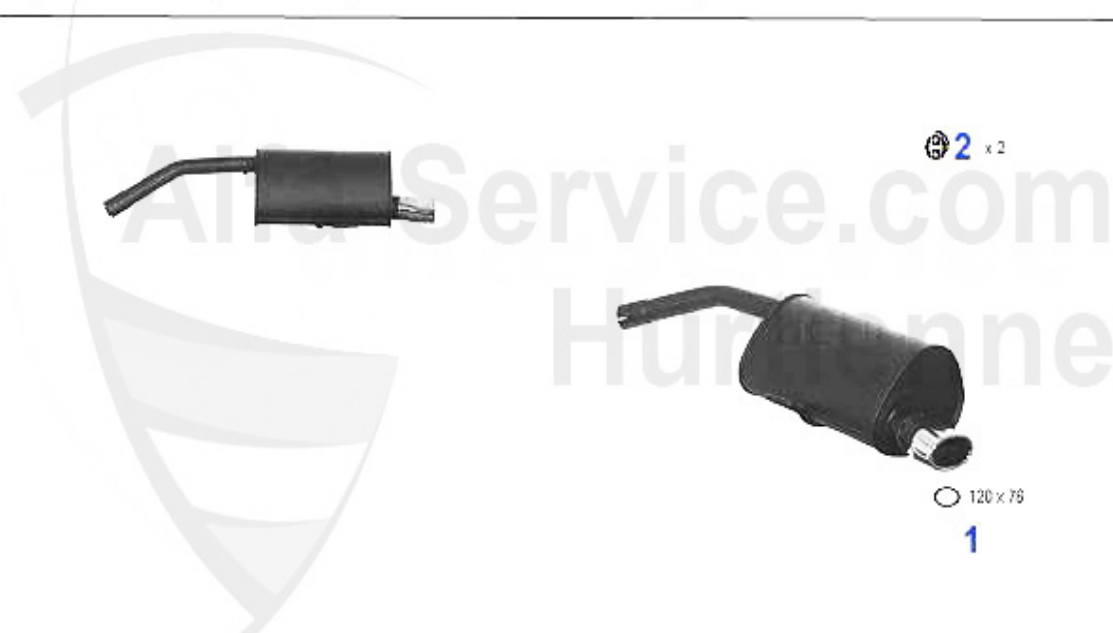


156 16V T.S. 1.6/1.8/2.0 +EURO 3 +SPORTWAGON

10/'97-

1	SNSD1164	Sport-Endtopf 156 1.6/1.8/2.0 16VTS Endrohr verchromt o	357.00 EUR
2	SAT091066	OE.60655991 rubber exhaust hanger 147/156	4.00 EUR

## Sportauspuff/Sport Exhaust System 156 TS CF3



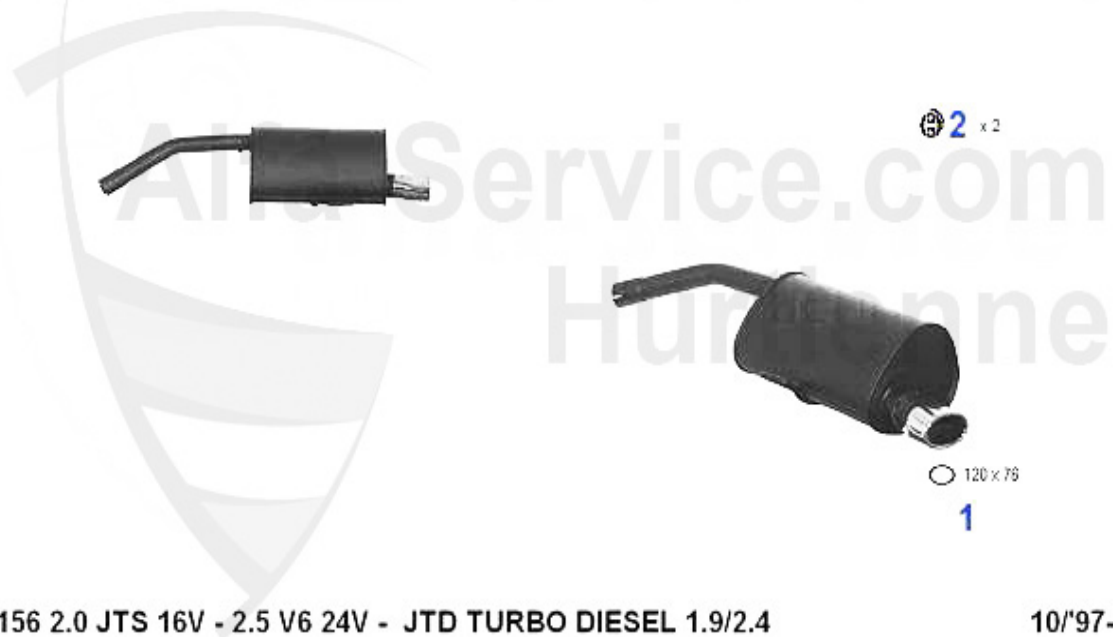
156 16V T.S. 1.6/1.8/2.0 +EURO 3 +SPORTWAGON

10/'97-

1	SNSD1164	Sport-Endtopf 156 1.6/1.8/2.0 16VTS Endrohr verchromt o	357.00 EUR
2	SAT091066	OE.60655991 rubber exhaust hanger 147/156	4.00 EUR

156 > EXHAUST SYSTEM > SPORT EXHAUST SYSTEM > 2.0 JTS

Sportauspuff/Sport Exhaust System 156 2.0 JTS



1	SNSD1165	Sport-Endtopf 156 JTS/JTD/V6 24V Endrohr oval verchromt	369.00 EUR
2	SAT091066	OE.60655991 rubber exhaust hanger 147/156	4.00 EUR

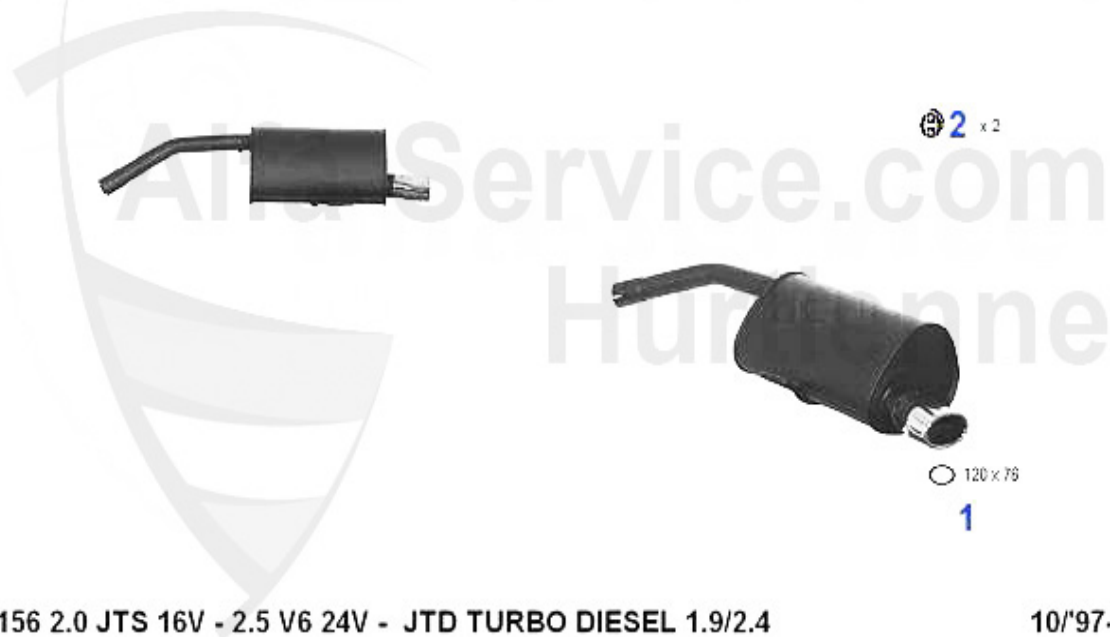
Sportauspuff/Sport Exhaust System 156 2.5 V6 24V



1	SNSD1165	Sport-Endtopf 156 JTS/JTD/V6 24V Endrohr oval verchromt	369.00 EUR
2	SAT091066	OE.60655991 rubber exhaust hanger 147/156	4.00 EUR

156 > EXHAUST SYSTEM > SPORT EXHAUST SYSTEM > 1.9 JTD 8V

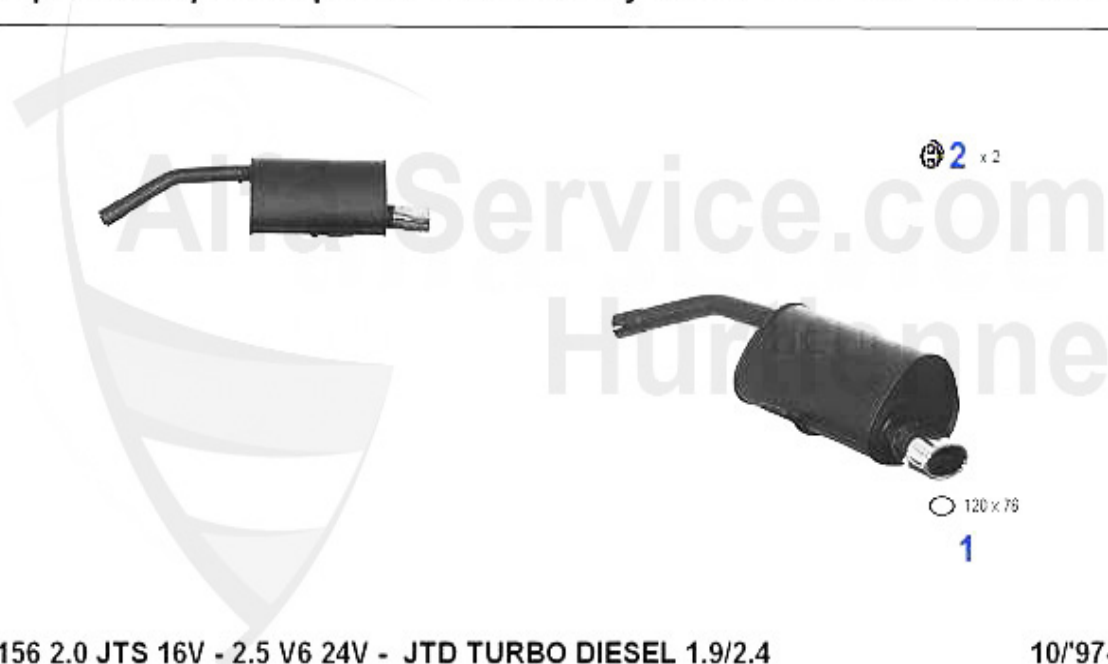
Sportauspuff/Sport Exhaust System 156 1.9 JTD 8V



1	SNSD1165	Sport-Endtopf 156 JTS/JTD/V6 24V Endrohr oval verchromt	369.00 EUR
2	SAT091066	OE.60655991 rubber exhaust hanger 147/156	4.00 EUR

156 > EXHAUST SYSTEM > SPORT EXHAUST SYSTEM > 1.9 JTD 16V

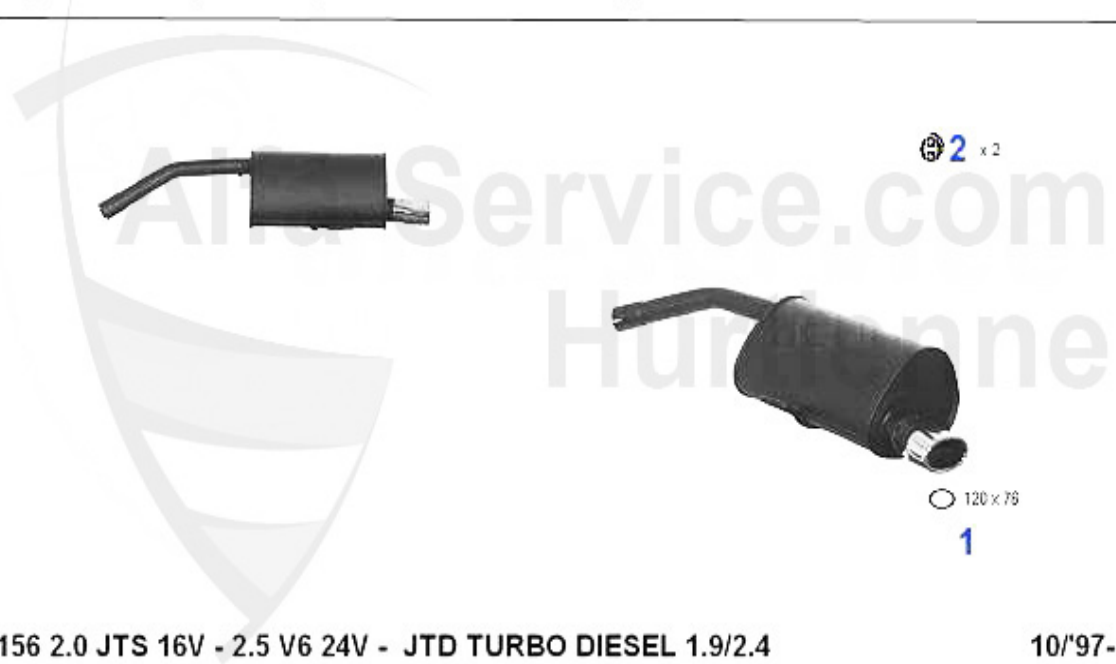
Sportauspuff/Sport Exhaust System 156 1.9 JTD 16V



1	SNSD1165	Sport-Endtopf 156 JTS/JTD/V6 24V Endrohr oval verchromt	369.00 EUR
2	SAT091066	OE.60655991 rubber exhaust hanger 147/156	4.00 EUR

156 > EXHAUST SYSTEM > SPORT EXHAUST SYSTEM > 2.4 JTD 10V

Sportauspuff/Sport Exhaust System 156 2.4 JTD 10V

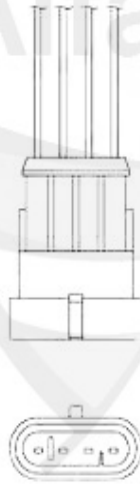


1	SNSD1165	Sport-Endtopf 156 JTS/JTD/V6 24V Endrohr oval verchromt	369.00 EUR
2	SAT091066	OE.60655991 rubber exhaust hanger 147/156	4.00 EUR

# Lambda-Sonde/Lambda Probe 156 TS CF2

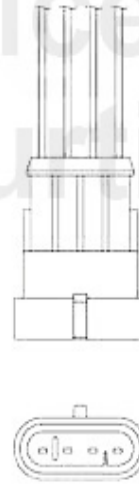
**1.LS7023**

1.6 Bj. >12.1997  
/> #0012329



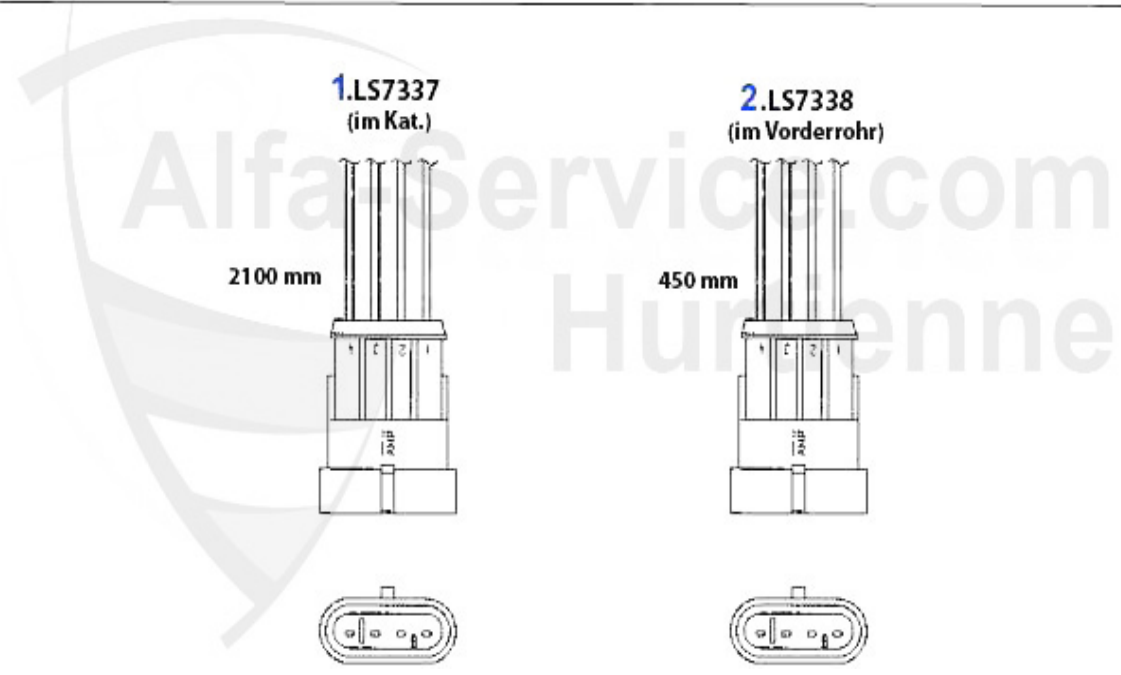
**2.LS7405**

1.6 Bj. 1.1998>  
1.8/2.0



<b>1</b>	<b>LS7023</b>	Lambda-Sonde 145/6 2.0 16V TS bj. 11.96>,156 1.6 16V T	<b>78.99 EUR</b>
<b>2</b>	<b>LS7405</b>	LAMBDA PROBE 145/6 1.4/1.6/1.8/16V TS/2.0 QV,156 1.6 16	<b>127.00 EUR</b>

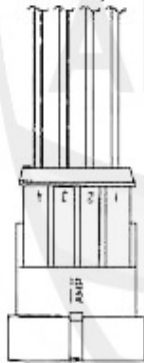
# Lambda-Sonde/Lambda Probe 156 TS CF3



1	LS7337	OE. 46760863 LAMBDA PROBE 147,156 1.6 (88KW)/1.8 (103KW)	59.00 EUR
2	LS7338	Lambda-Sonde 147 1.6/2.0 16V TS, 156 1.6/1.8/2.0 16V TS	112.85 EUR

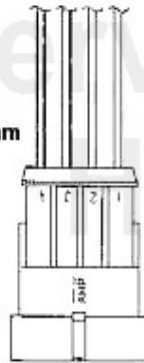
# Lambda-Sonde/Lambda Probe 156 2.0 JTS

1. LS 811311  
/LS 198785  
(im Vorderrohr  
oben)



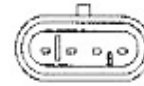
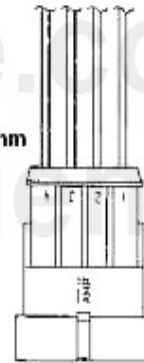
2. LS7212  
(im Vorderrohr  
unten)

650 mm



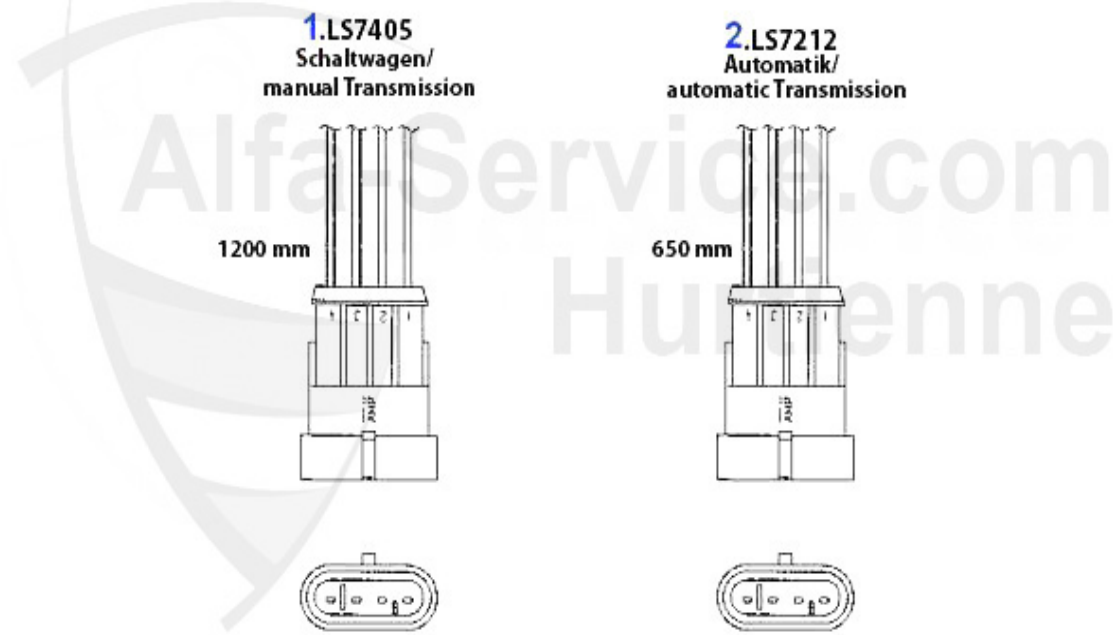
3. LS7337  
(im Kat.)

2100 mm



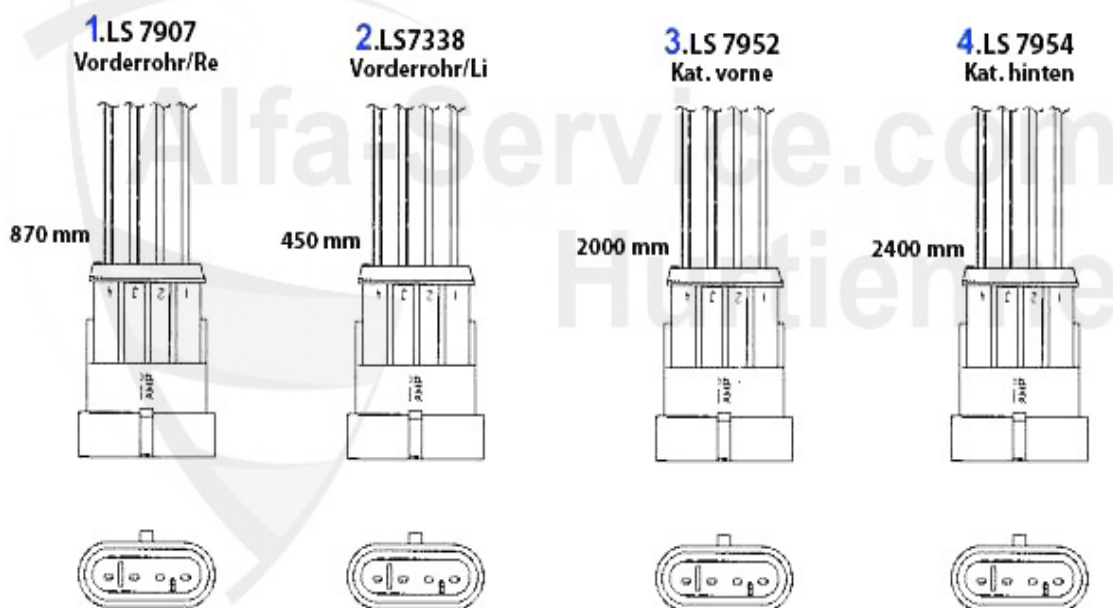
1	LS198785	OE. 55198785 LAMBDA PROBE 156 2.0 JTS FRONT PIPE TOP	112.85 EUR
1	LS811311	OE. 46811311 LAMBDA PROBE 156, 166, gtv/spider (916), N	149.00 EUR
2	LS7212	Lambda-Sonde 147 1.6 16V TS,156 2.0 JTS/2.5 V,166 2.0 T	66.00 EUR
3	LS7337	OE. 46760863 LAMBDA PROBE 147,156 1.6 (88KW)/1.8 (103KW)	59.00 EUR

Lambda-Sonde/Lambda Probe 156 2.5 V6 24V Bj. >02

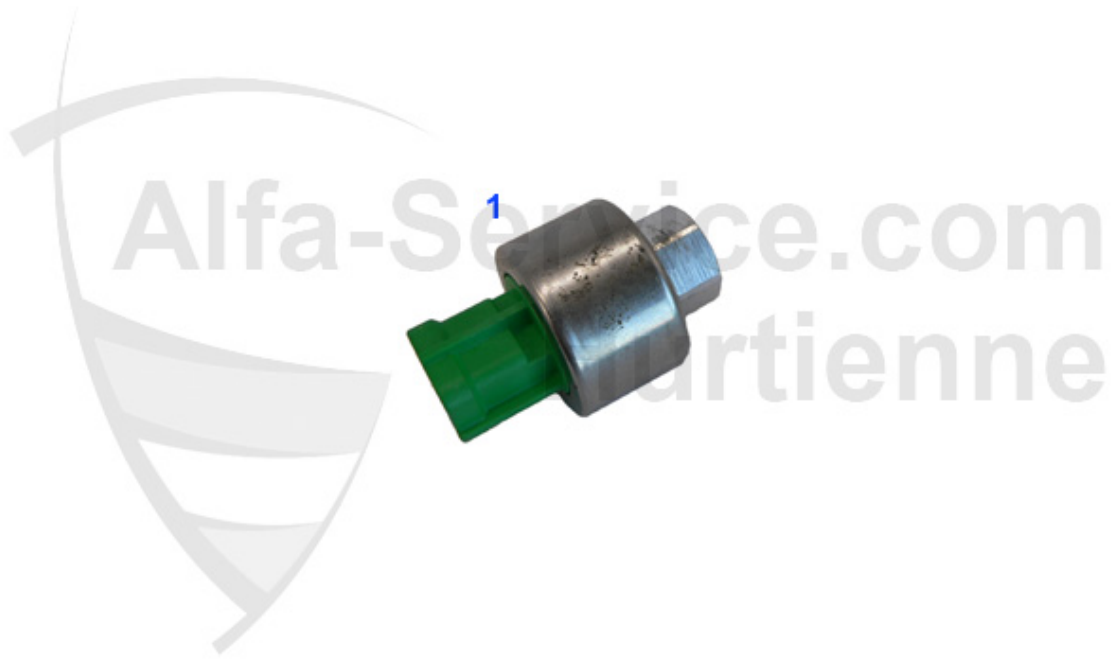


1	LS7405	LAMBDA PROBE 145/6 1.4/1.6/1.8/16V TS/2.0 QV,156 1.6 16	127.00 EUR
2	LS7212	Lambda-Sonde 147 1.6 16V TS,156 2.0 JTS/2.5 V,166 2.0 T	66.00 EUR

Lambda-Sonde/Lambda Probe 156 2.5 V6 24V/GTA CF3 Bj. 02>



1	LS7907	Lambda-Sonde 147 GTA,156 2.5 V6 24V bj. 10.00>/3.2 GTA,	108.00 EUR
2	LS7338	Lambda-Sonde 147 1.6/2.0 16V TS, 156 1.6/1.8/2.0 16V TS	112.85 EUR
3	LS7952	Lambda-Sonde 147 GTA,156 2.5 V6 24V bj. 01.02>/3.2 GTA,	99.00 EUR
4	LS7954	Lambda-Sonde 147 GTA,156 2.5 V6 24V bj. 01.02>/ 3.2 GTA	109.00 EUR

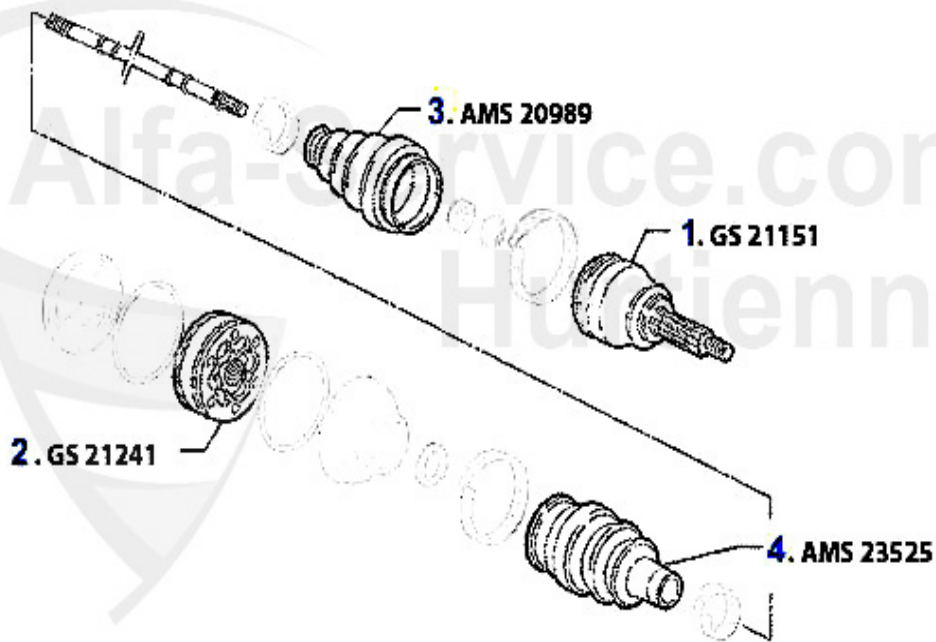


1 KS76438

PRESSURE SWITCH AIRCONDITIONING SYSTEM

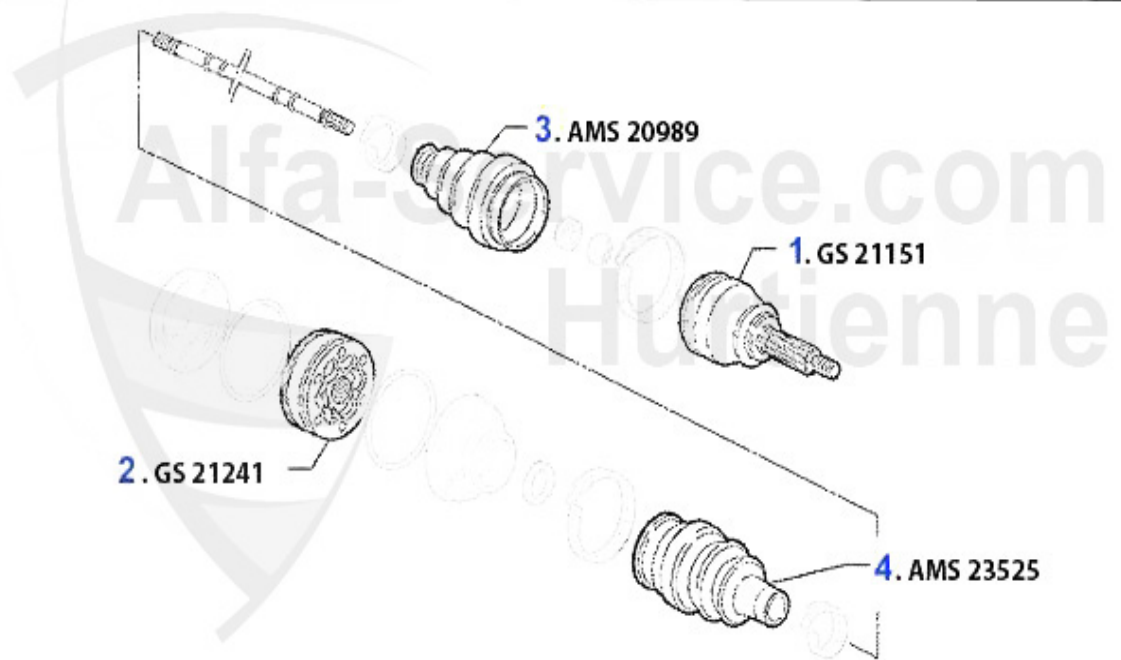
45.99 EUR

# Antriebswelle/Driveshaft 156 1.6/1.8 TS



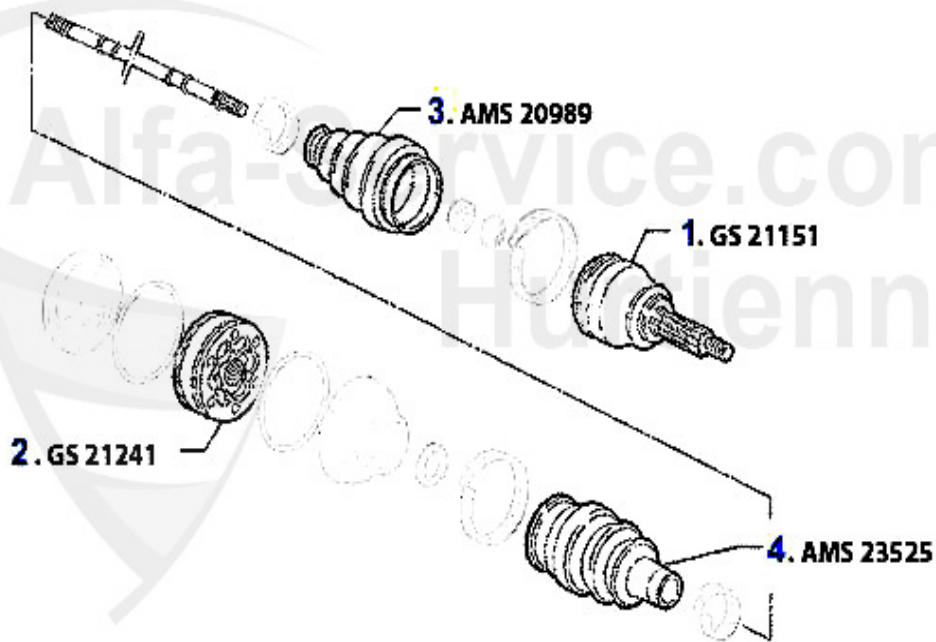
<b>1</b>	<b>GS21151</b>	Gelenksatz außen 156 1.8/1.8/2.0 16V TS,gtv (916) 1.8/2	<b>119.00 EUR</b>
<b>2</b>	<b>GS21241</b>	Inner drive shaft joint gtv/spider (916),155,145/6 TS 1	<b>111.72 EUR</b>
<b>3</b>	<b>AMS20989</b>	OE.46429633, outer joint gaiter 145/6 147, 156, 166	<b>17.90 EUR</b>
<b>4</b>	<b>AMS23525</b>	Achsmanschettensatz innen 155 1,7/ 1.8/2.0/TS 16V,2.5 V	<b>25.55 EUR</b>

# Antriebswelle/Driveshaft 156 2.0 TS



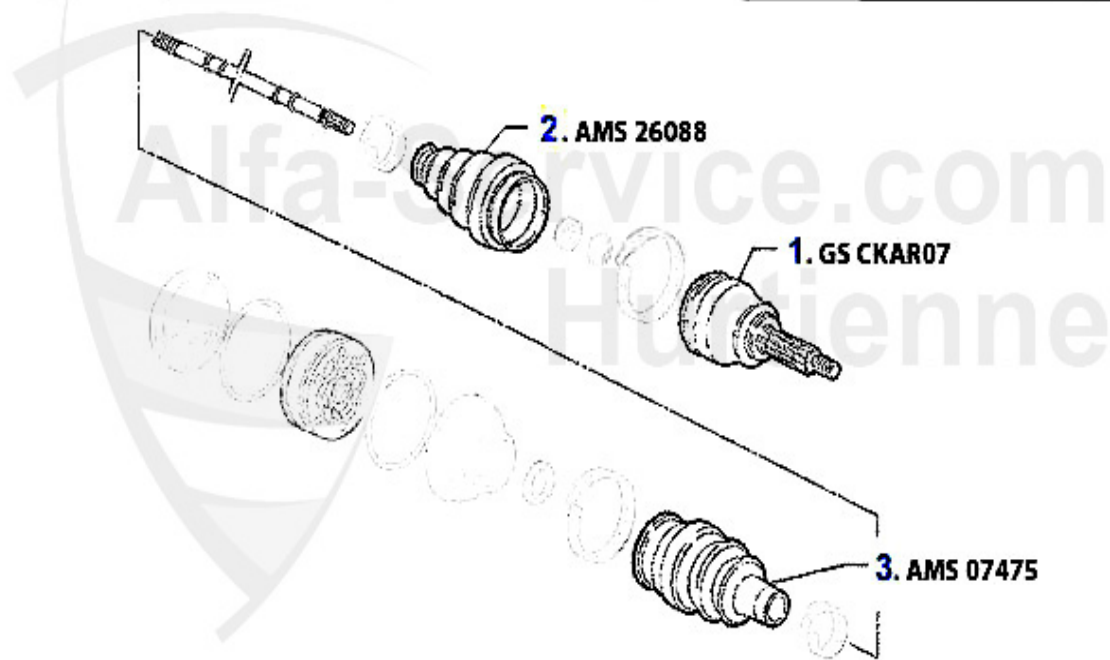
<b>1</b>	<b>GS21151</b>	Gelenksatz außen 156 1.8/1.8/2.0 16V TS,gtv (916) 1.8/2	<b>119.00 EUR</b>
<b>2</b>	<b>GS21241</b>	Inner drive shaft joint gtv/spider (916),155,145/6 TS 1	<b>111.72 EUR</b>
<b>3</b>	<b>AMS20989</b>	OE.46429633, outer joint gaiter 145/6 147, 156, 166	<b>17.90 EUR</b>
<b>4</b>	<b>AMS23525</b>	Achsmanschettensatz innen 155 1,7/ 1.8/2.0/TS 16V,2.5 V	<b>25.55 EUR</b>

# Antriebswelle/Driveshaft 156 2.0 JTS



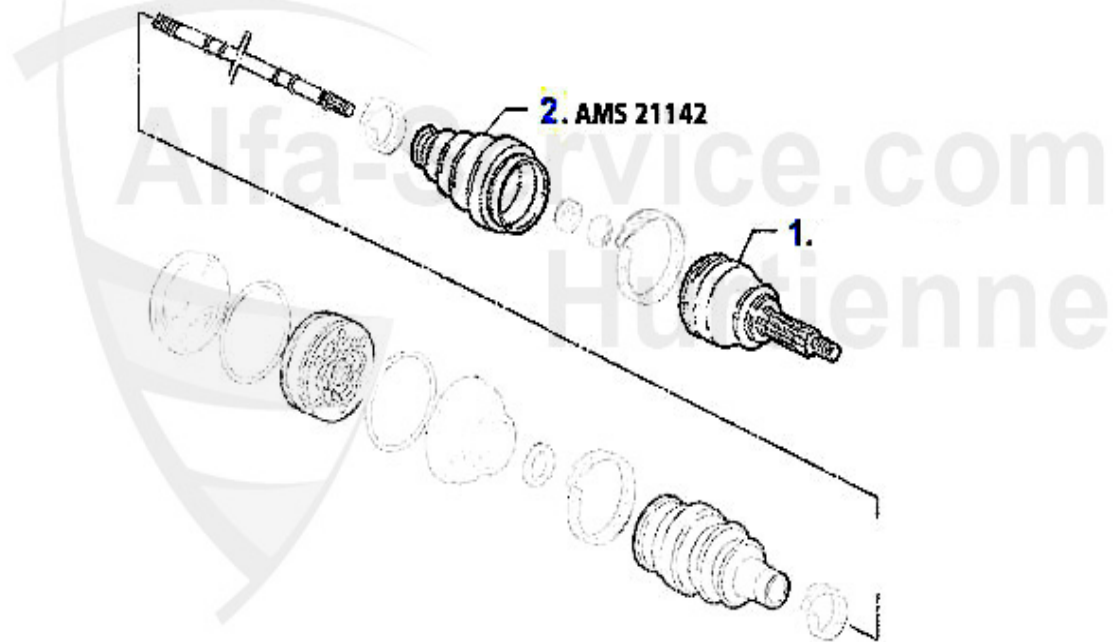
<b>1</b>	<b>GS21151</b>	Gelenksatz außen 156 1.8/1.8/2.0 16V TS,gtv (916) 1.8/2	<b>119.00 EUR</b>
<b>2</b>	<b>GS21241</b>	Inner drive shaft joint gtv/spider (916),155,145/6 TS 1	<b>111.72 EUR</b>
<b>3</b>	<b>AMS20989</b>	OE.46429633, outer joint gaiter 145/6 147, 156, 166	<b>17.90 EUR</b>
<b>4</b>	<b>AMS23525</b>	Achsmanschettensatz innen 155 1,7/ 1.8/2.0/TS 16V,2.5 V	<b>25.55 EUR</b>

# Antriebswelle/Driveshaft 156 2.5 V6 24V



<b>1</b>	<b>GSCKAR07</b>	Gelenksatz au	<b>125.66 EUR</b>
<b>2</b>	<b>AMS26088</b>	OE. 60556609 Boot Set Wheel Side	<b>15.01 EUR</b>
<b>3</b>	<b>AMS07475</b>	OE. 46307475 BOOT SET 147 1.9 JTD 16V 156/SW V6 24V	<b>22.47 EUR</b>

## Antriebswelle/Driveshaft 156 3.2 V6 24V/GTA

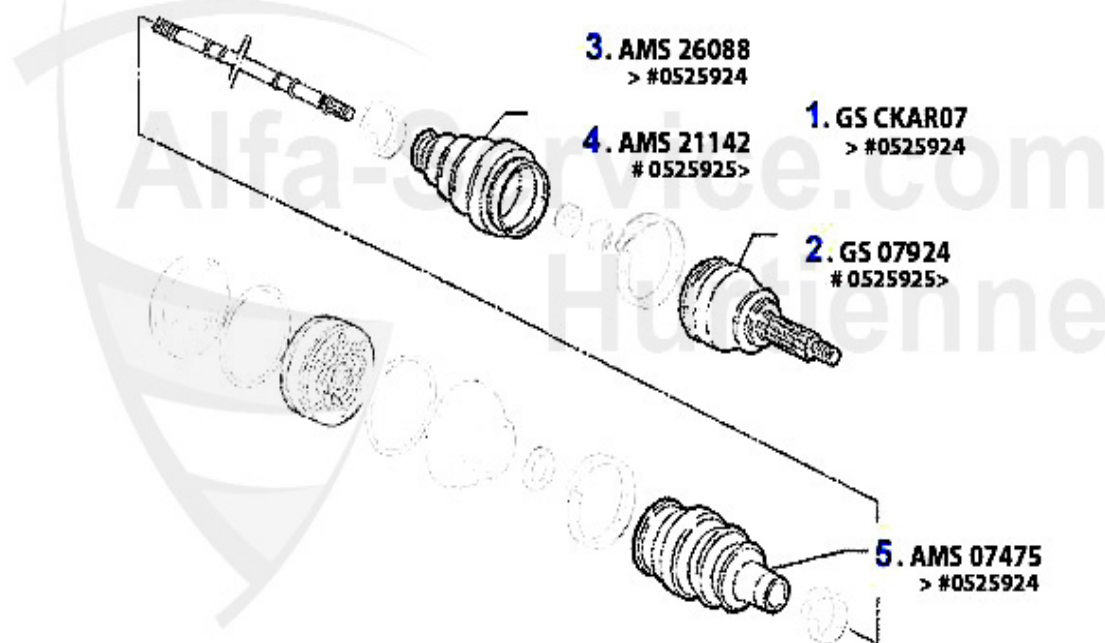


2 AMS21142

OE. 46307733 BOOT SET 147,156,gstv/spider (916),Nuovo GT

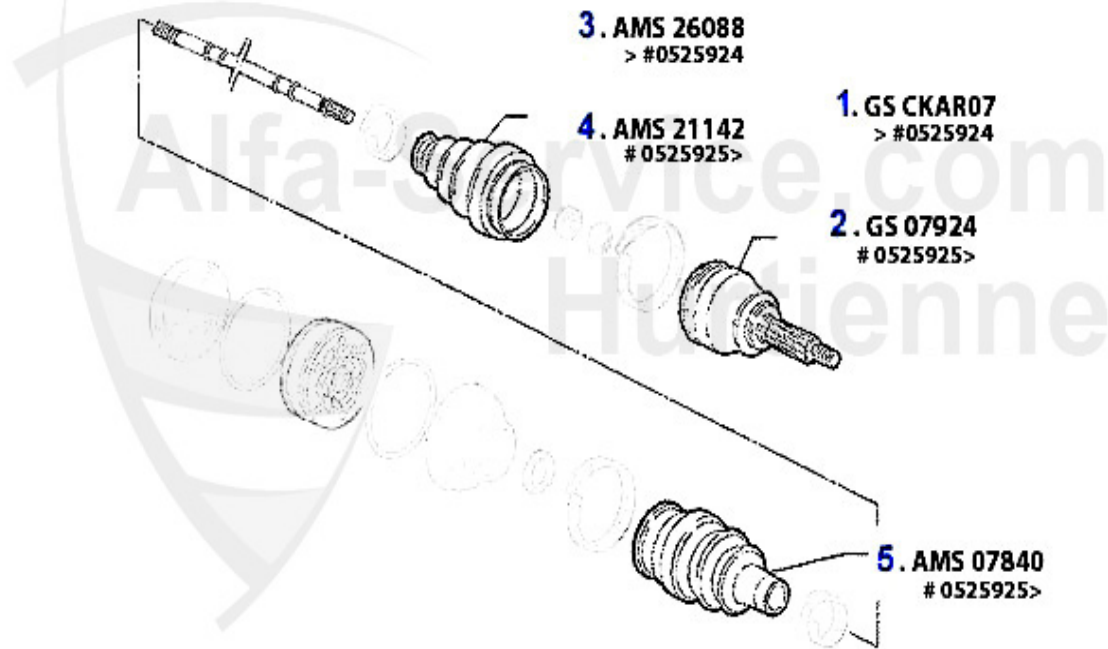
29.90 EUR

# Antriebswelle/Driveshaft 156 1.9 JTD 8V



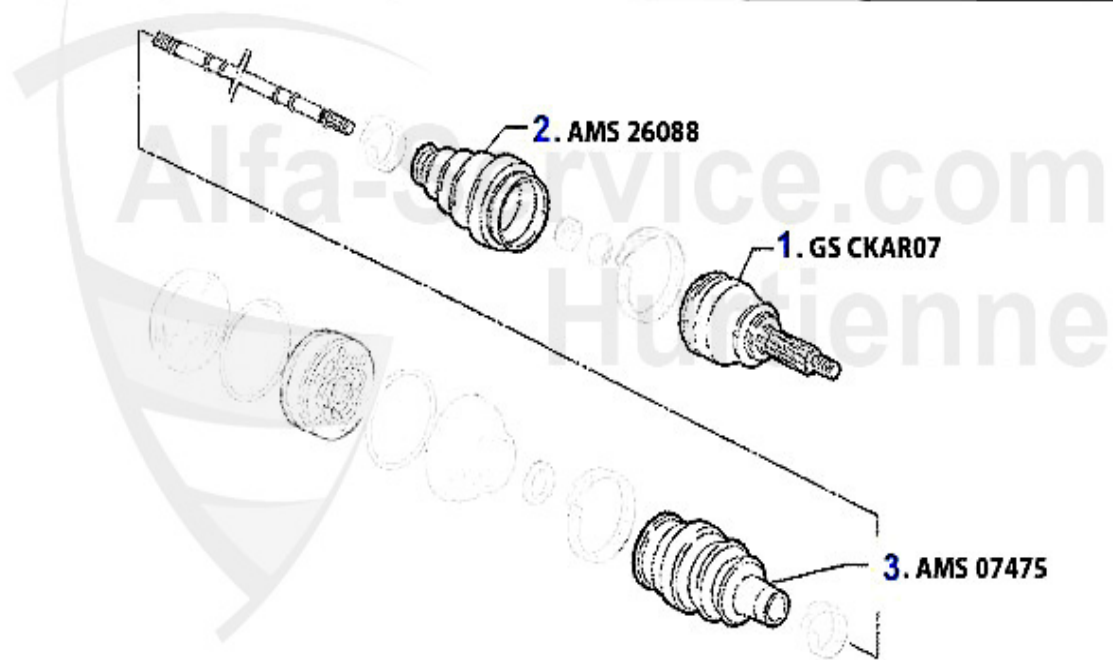
2	GS07924	OE. 46307924 CONST.VELLOCITY JOI 156 1.9 JTD 8V (85KW)	142.60 EUR
3	AMS26088	OE. 60556609 Boot Set Wheel Side	15.01 EUR
4	AMS21142	OE. 46307733 BOOT SET 147,156,gtr/spider (916),Nuovo GT	29.90 EUR
5	AMS07475	OE. 46307475 BOOT SET 147 1.9 JTD 16V 156/SW V6 24V	22.47 EUR

# Antriebswelle/Driveshaft 156 1.9 JTD 16V



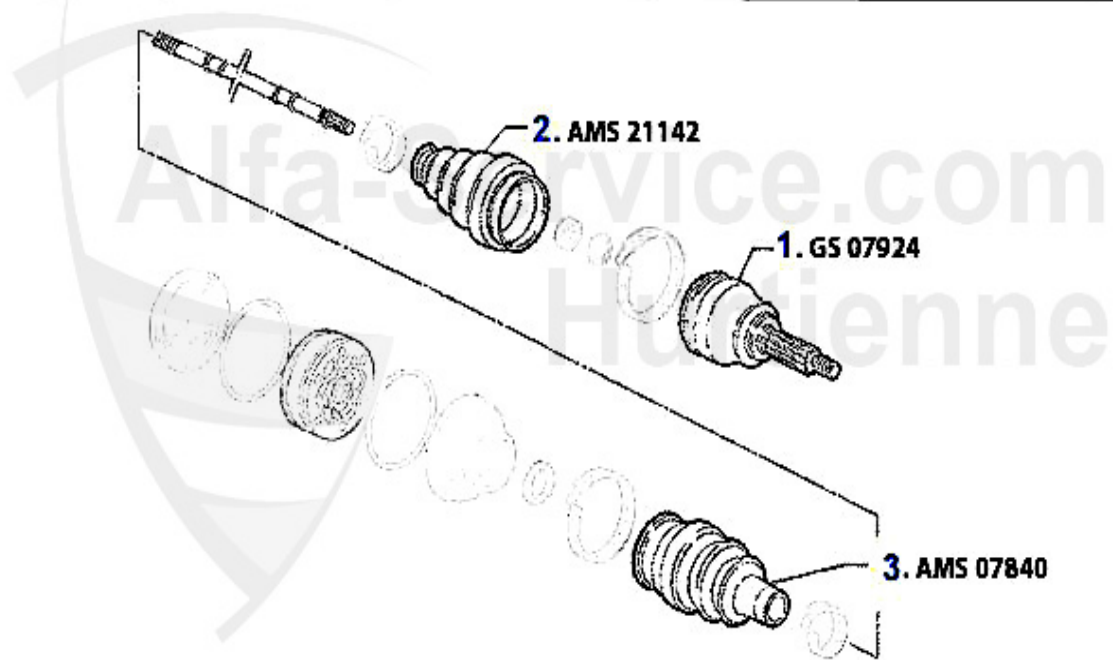
<b>2</b>	<b>GS07924</b>	OE. 46307924 CONST.VELLOCITY JOI 156 1.9 JTD 8V (85KW)	<b>142.60 EUR</b>
<b>3</b>	<b>AMS26088</b>	OE. 60556609 Boot Set Wheel Side	<b>15.01 EUR</b>
<b>4</b>	<b>AMS21142</b>	OE. 46307733 BOOT SET 147,156,gtv/spider (916),Nuovo GT	<b>29.90 EUR</b>
<b>5</b>	<b>AMS07840</b>	OE. 46307840 BOOT SET 147 1.9 JTD # 3145308>	<b>21.44 EUR</b>

# Antriebswelle/Driveshaft 156 2.4 JTD 10V



<b>2</b>	<b>AMS26088</b>	OE. 60556609 Boot Set Wheel Side	<b>15.01 EUR</b>
<b>3</b>	<b>AMS07475</b>	OE. 46307475 BOOT SET 147 1.9 JTD 16V 156/SW V6 24V	<b>22.47 EUR</b>

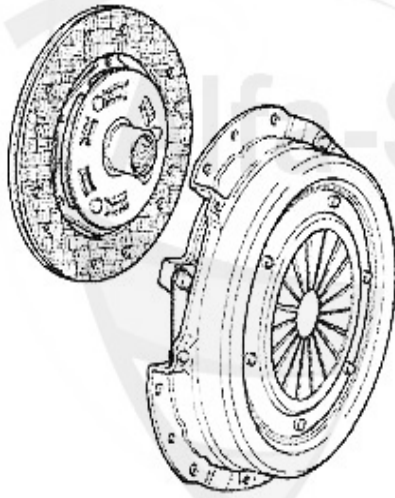
# Antriebswelle/Driveshaft 156 2.4 JTD 20V



<b>1</b>	<b>GS07924</b>	OE. 46307924 CONST.VELLOCITY JOI 156 1.9 JTD 8V (85KW)	<b>142.60 EUR</b>
<b>2</b>	<b>AMS21142</b>	OE. 46307733 BOOT SET 147,156,gtv/spider (916),Nuovo GT	<b>29.90 EUR</b>
<b>3</b>	<b>AMS07840</b>	OE. 46307840 BOOT SET 147 1.9 JTD # 3145308>	<b>21.44 EUR</b>

# Kupplungs-Kit/Clutch Set 156 1.6/1.8 TS

---



1. KK 853201

Ø 215 mm

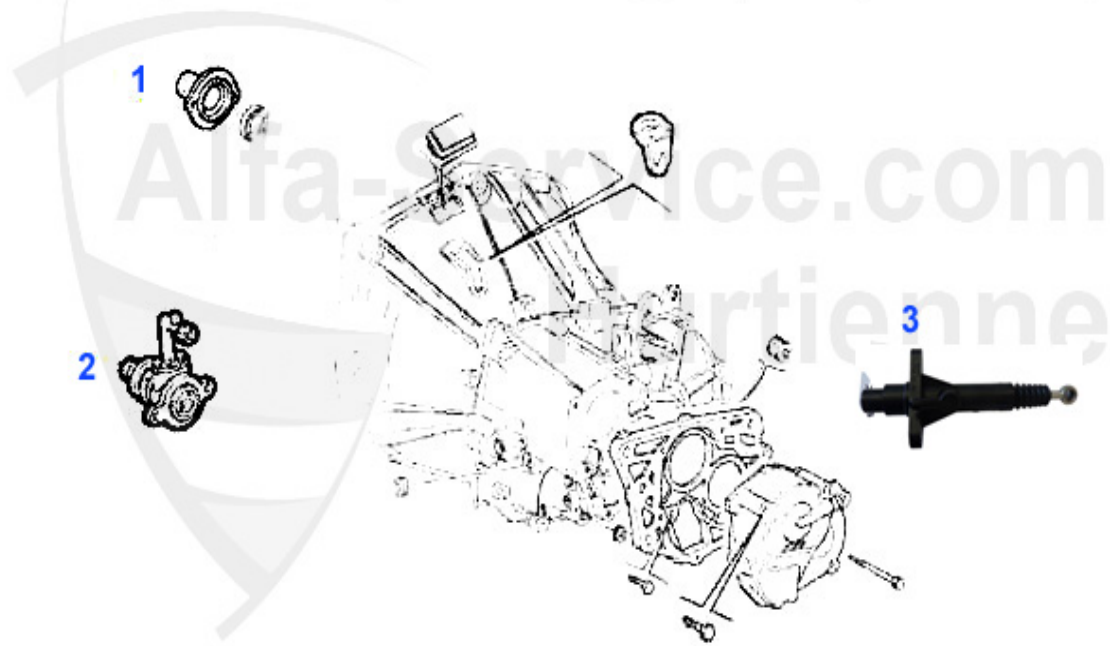
---

1 KK853201

CLUTCH KIT 147,156 1.6/1.8 16V TS 09.97>,NUOVO GT 1.8 T

195.16 EUR

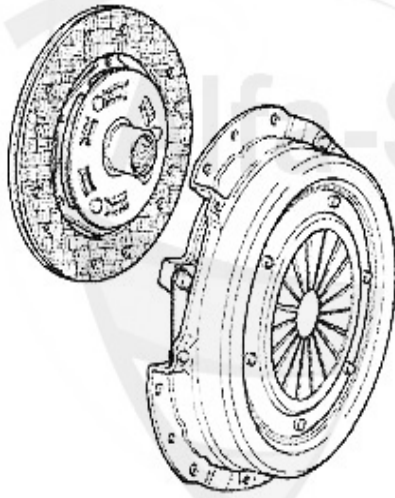
# Ausrücker/Sleeve Bearing 156 1.6/1.8 TS



1	FH1140	Schiebehülse für Ausrücker 145/6, 147,155,156,gtv/spide	49.00 EUR
2	ZA186498	OE. 55186498 SLEEVE T/OBEARING 147,Nuovo GT 12.2003>	84.99 EUR
2	ZA46516373	OE. 55184041 SLEEVE BEARING	89.68 EUR
3	KGZ018	CLUTCH MASTER CYLINDER 156 1.8/2.0 TS CF2 (97-05) 1.6/1	119.00 EUR

# Kupplungs-Kit/Clutch Set 156 2.0 TS

---



1. KK 951301

Ø 230 mm

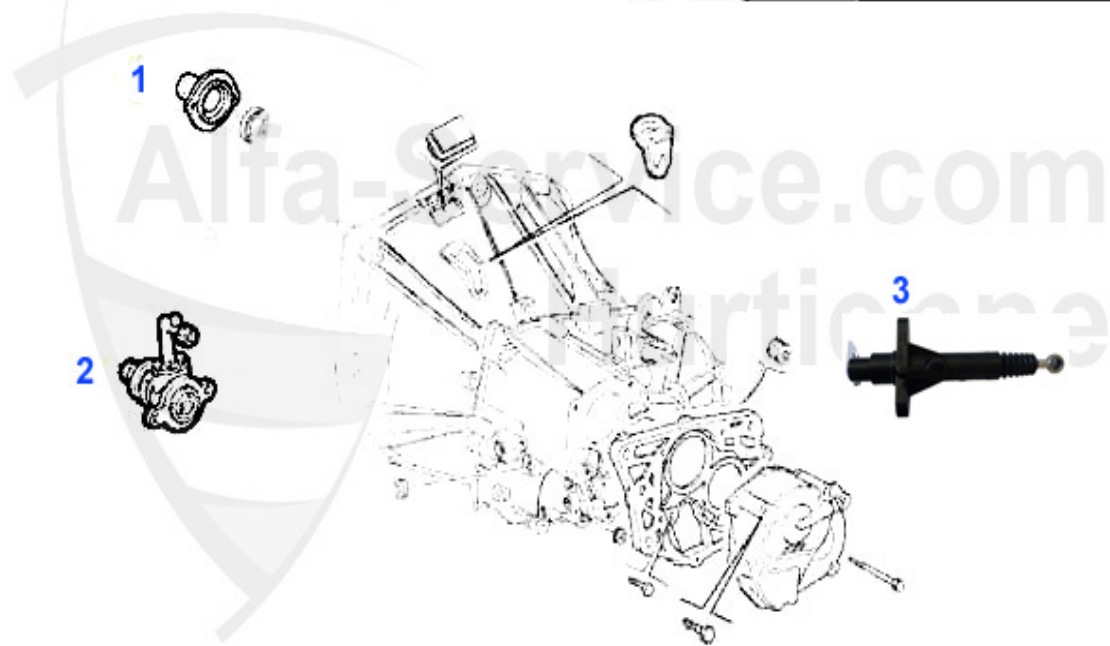
---

1 KK951301

OE. 55190114 CLUTCH KIT 147,156/SW 2.0 TS, WITHOUT RELE

379.00 EUR

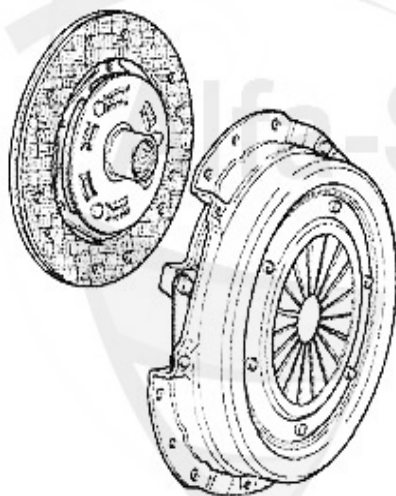
## Ausrücker/Sleeve Bearing 156 2.0TS



1	FH1140	Schiebehülse für Ausrücker 145/6, 147,155,156,gtv/spide	49.00 EUR
2	ZA186498	OE. 55186498 SLEEVE T/OBEARING 147,Nuovo GT 12.2003>	84.99 EUR
2	ZA46516373	OE. 55184041 SLEEVE BEARING	89.68 EUR
3	KGZ018	CLUTCH MASTER CYLINDER 156 1.8/2.0 TS CF2 (97-05) 1.6/1	119.00 EUR

# Kupplungs-Kit/Clutch Set 156 2.0 JTS

---



1. KK 951301

Ø 230 mm

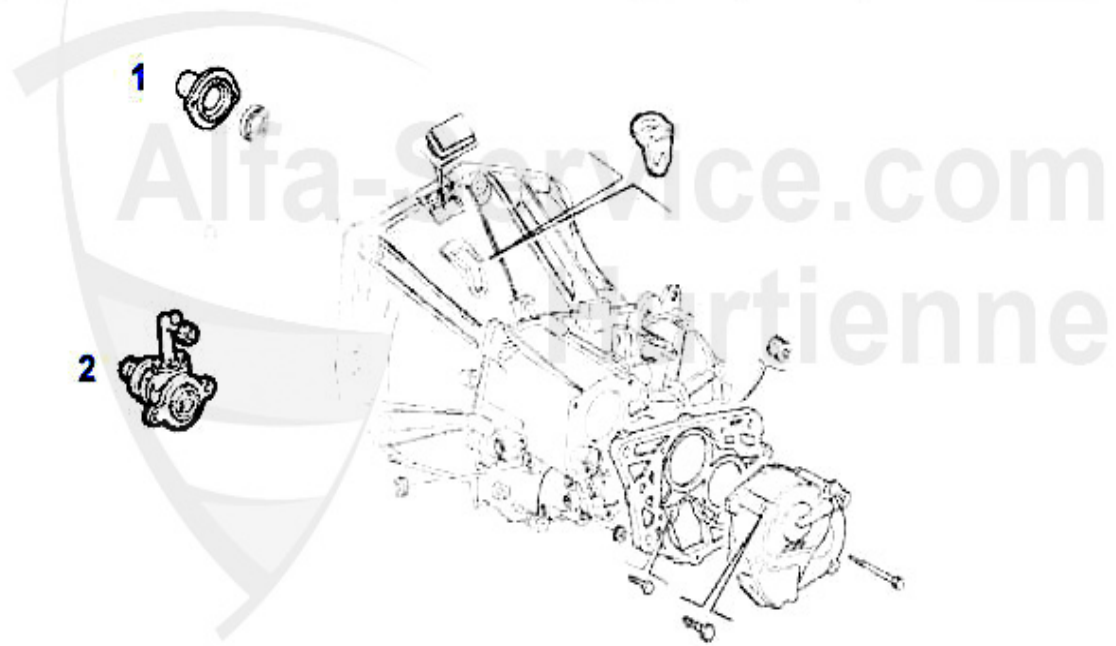
---

1 KK951301

OE. 55190114 CLUTCH KIT 147,156/SW 2.0 TS, WITHOUT RELE

379.00 EUR

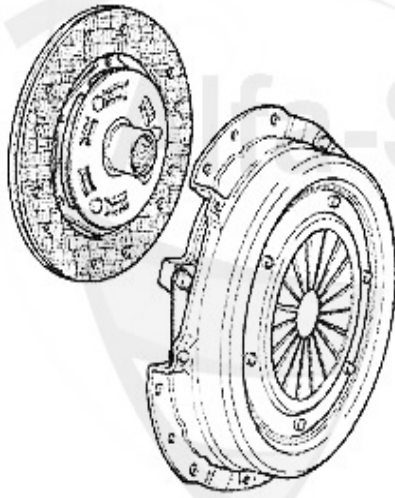
## Ausrücker/Sleeve Bearing 156 2.0 JTS



2	ZA186498	OE. 55186498 SLEEVE T/OBEARING 147,Nuovo GT 12.2003>	84.99 EUR
2	ZA46516373	OE. 55184041 SLEEVE BEARING	89.68 EUR

# Kupplungs-Kit/Clutch Set 156 2.5 V6 24V

---



1. KK 739492

Ø 235 mm

---

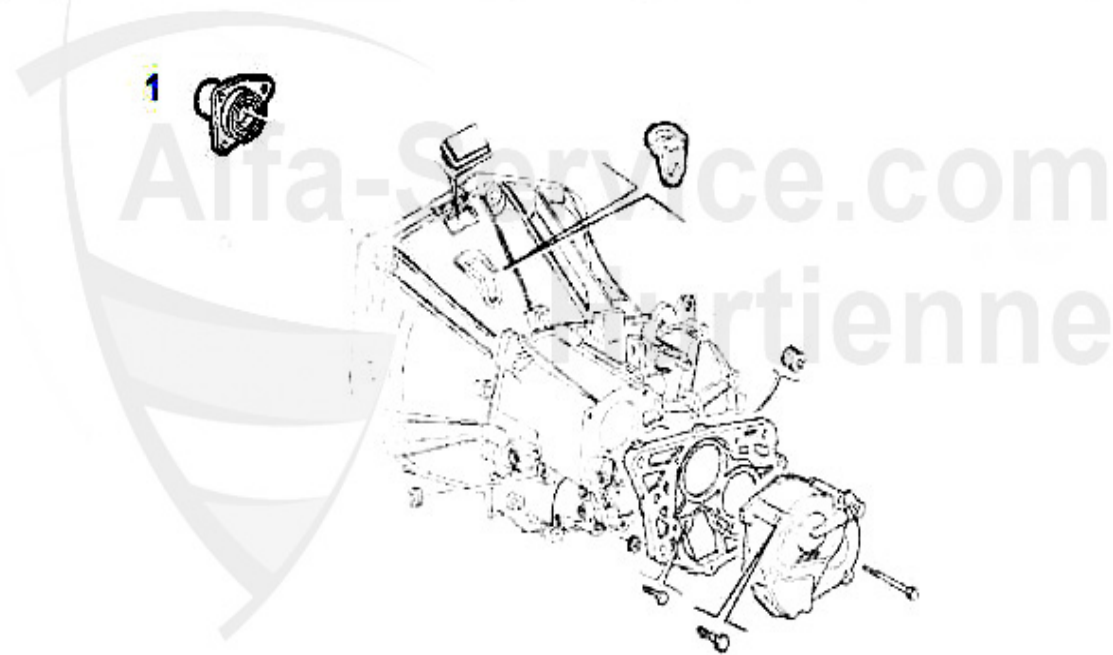
1 KK739492

OE. 71739492 CLUTCH SET WITHOUT RELEASE B.

306.73 EUR

## Ausrücker/Sleeve Bearing 156 2.5 V6 24V

---



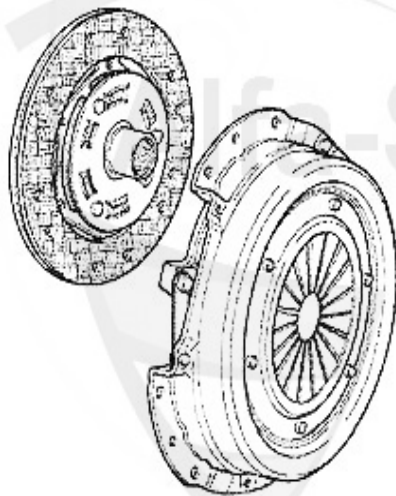
1 FH11951

GUIDE BUSH FOR CLUTCH RELEASE BEARING 3 HOLES 145/6,147

79.00 EUR

## Kupplungs-Kit/Clutch Set 156 3.2 V6 24V/GTA

---



1. KK 739521

Ø 235 mm

---

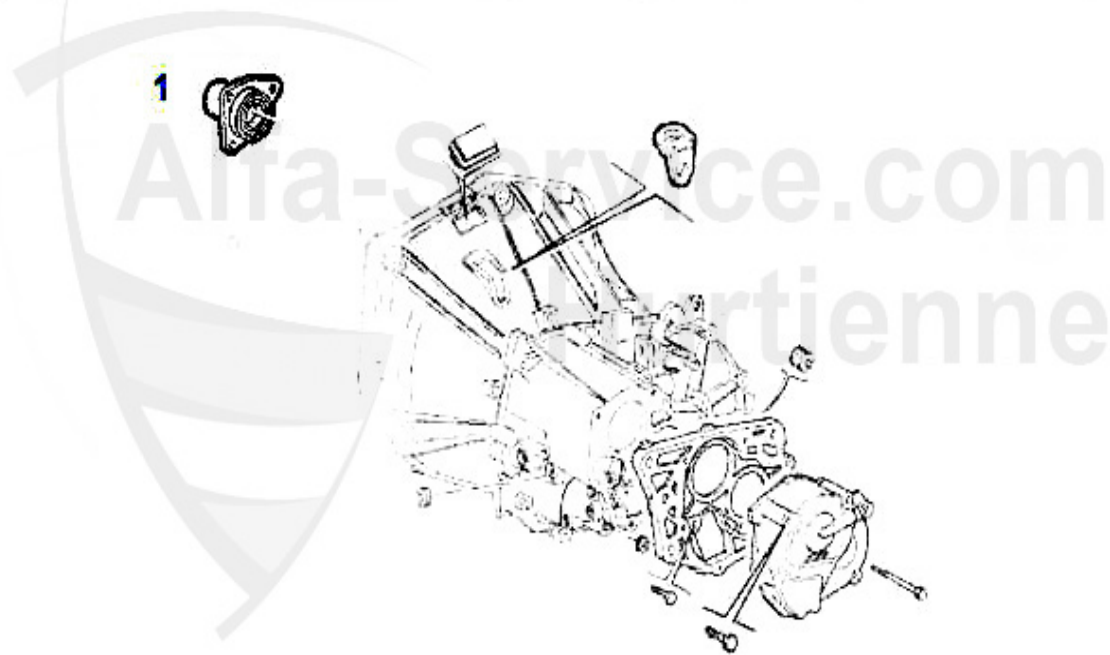
1 KK739521

OE. 71739521 CLUTCH KIT 147,156,916 GTA

475.00 EUR

## Ausrücker/Sleeve Bearing 156 3.2 V6 24V/GTA

---

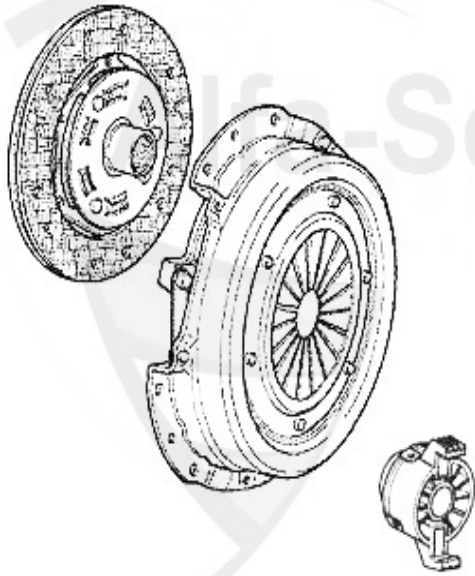


1 FH11951

GUIDE BUSH FOR CLUTCH RELEASE BEARING 3 HOLES 145/6,147

79.00 EUR

# Kupplungs-Kit/Clutch Set 156 1.9 JTD 8V



1. KK 853501

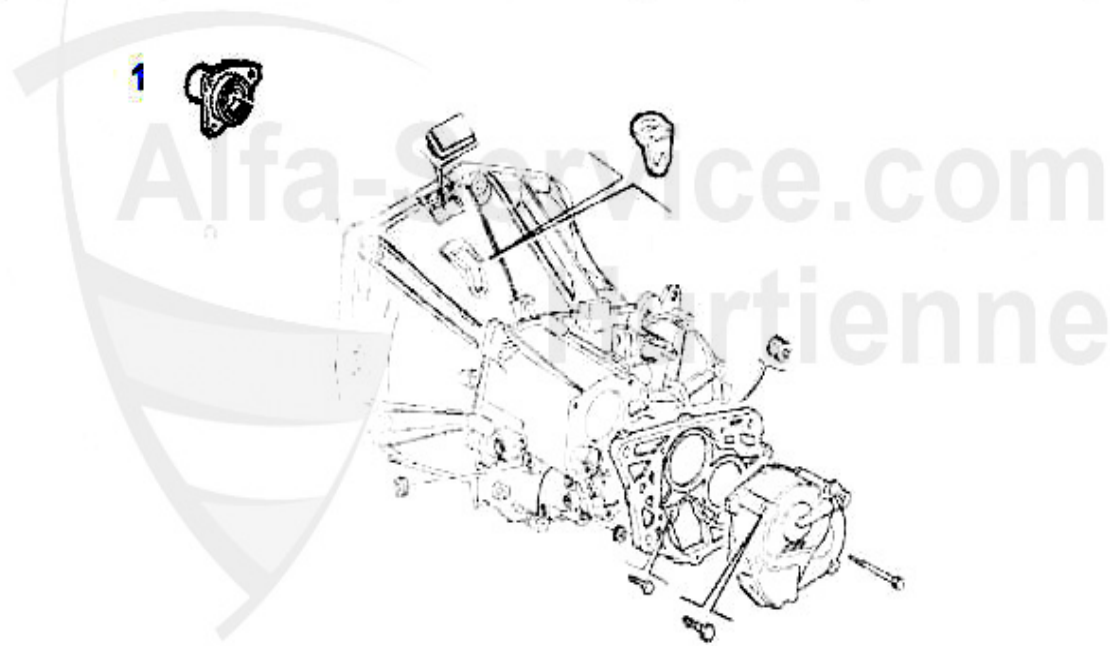
Ø 235 mm

1 KK853501

Kupplungs-Kit 145/6,156 1.9/2.4 JTD 166 2.0 TS Bj. 09.9

337.00 EUR

## Ausrücker/Sleeve Bearing 156 1.9 JTD 8V



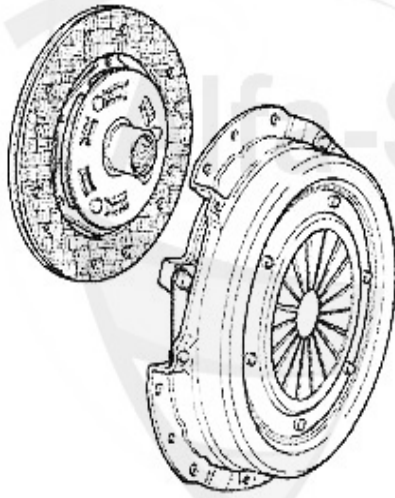
1 FH11951

GUIDE BUSH FOR CLUTCH RELEASE BEARING 3 HOLES 145/6,147

79.00 EUR

## Kupplungs-Kit/Clutch Set 156 1.9 JTD 16V

---



1. KK 853501

Ø 235 mm

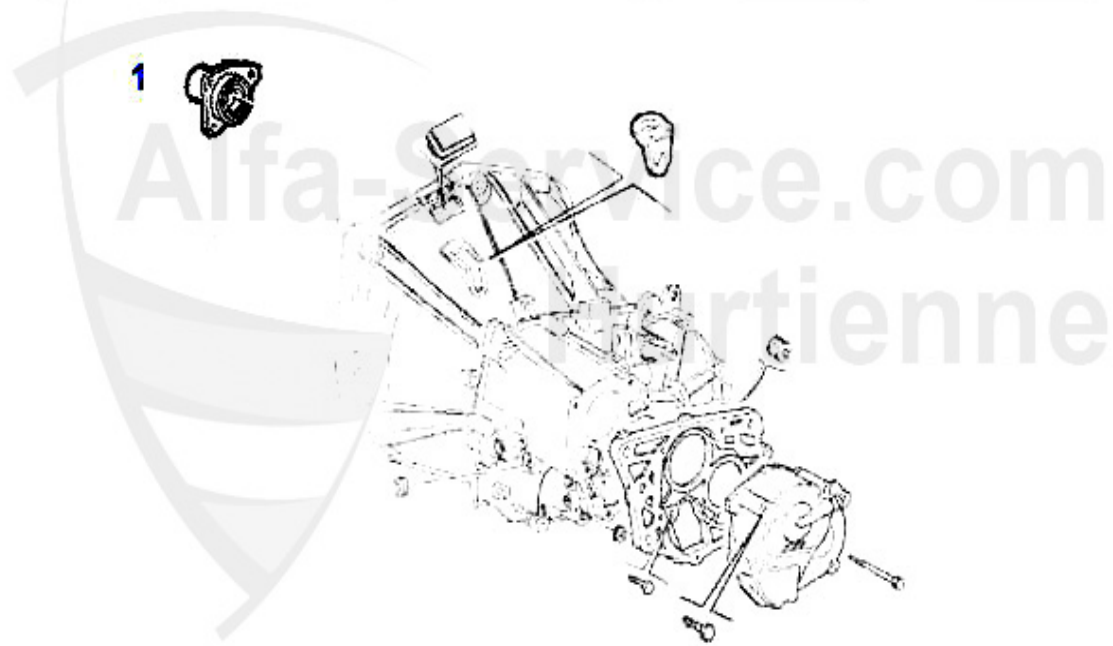
---

1 KK853501

Kupplungs-Kit 145/6,156 1.9/2.4 JTD 166 2.0 TS Bj. 09.9

337.00 EUR

## Ausrücker/Sleeve Bearing 156 1.9 JTD 16V



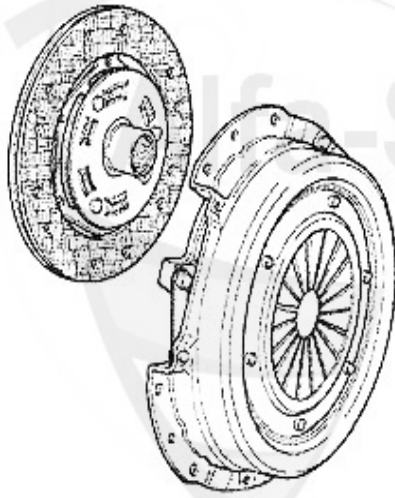
1 FH11951

GUIDE BUSH FOR CLUTCH RELEASE BEARING 3 HOLES 145/6,147

79.00 EUR

# Kupplungs-Kit/Clutch Set 156 2.4 JTD 10V

---



1. KK 853501

Ø 235 mm

---

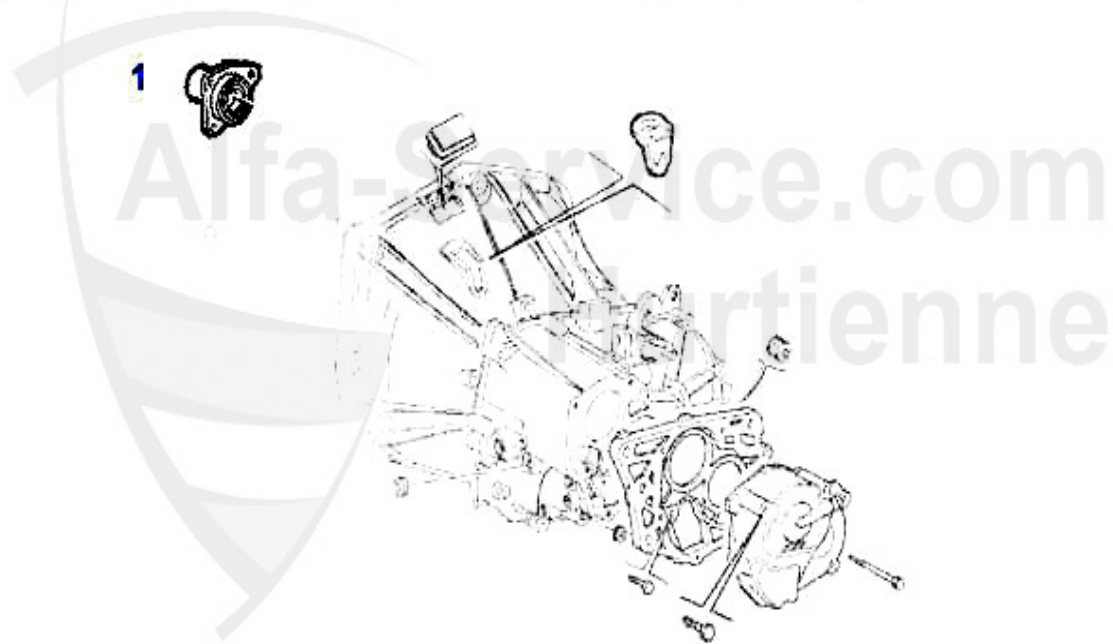
1 KK853501

Kupplungs-Kit 145/6,156 1.9/2.4 JTD 166 2.0 TS Bj. 09.9

337.00 EUR

## Ausrücker/Sleeve Bearing 156 2.4 JTD 10V

---



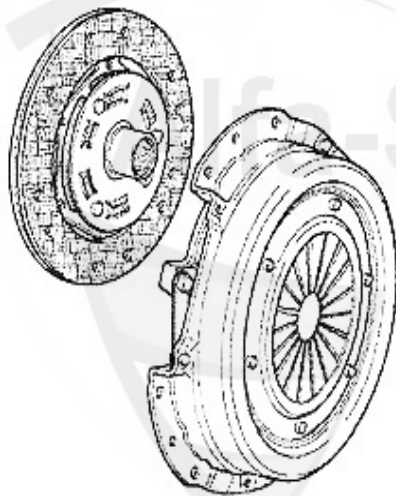
1 FH11951

GUIDE BUSH FOR CLUTCH RELEASE BEARING 3 HOLES 145/6,147

79.00 EUR

# Kupplungs-Kit/Clutch Set 156 2.4 JTD 20V

---



Life-Service.com  
1. KK 192735  
Hurtienne

---

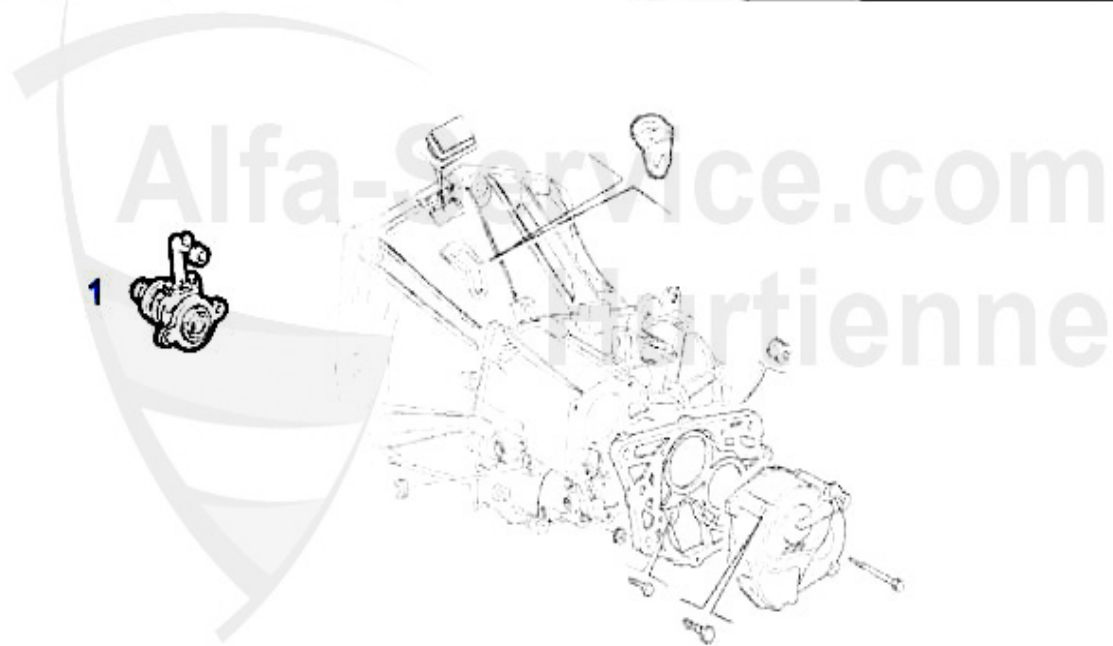
1 KK192735

OE. 55192735 KIT CLUTCH 156,166 2.4 JTD 20V

286.22 EUR

## Ausrücker/Sleeve Bearing 156 2.4 JTD 20V

---



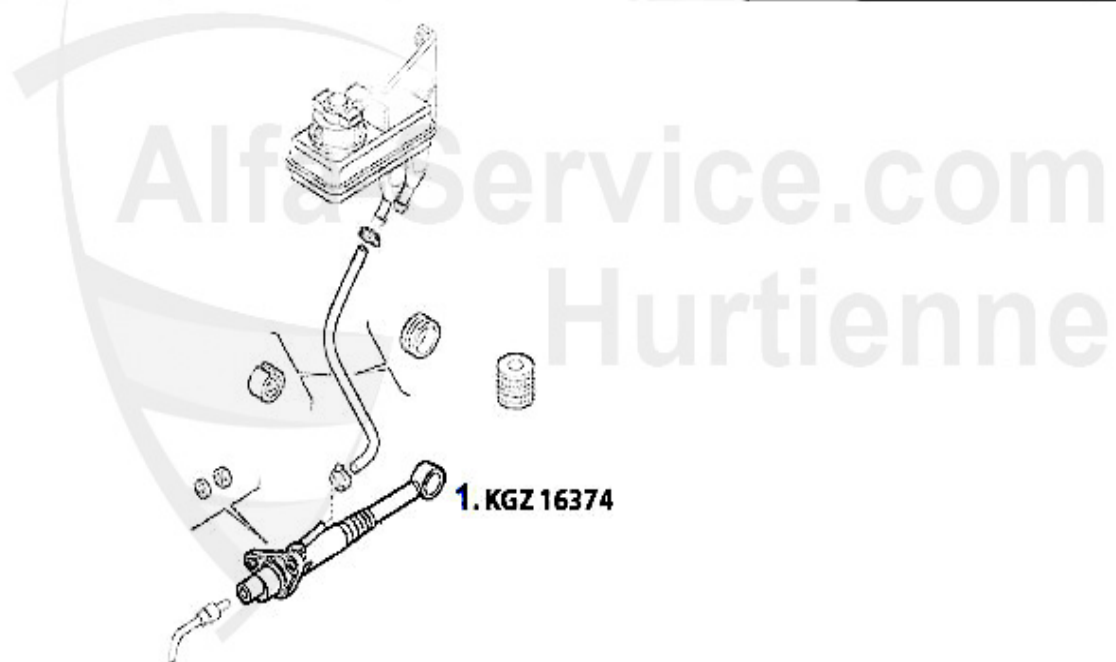
1 ZA184529

OE. 55184529 ACTUATOR 156/166 2.4 JTD 20V

64.12 EUR

Kupplungsbetätigung/Clutch Actuation 156 1.6/1.8 TS

---



---

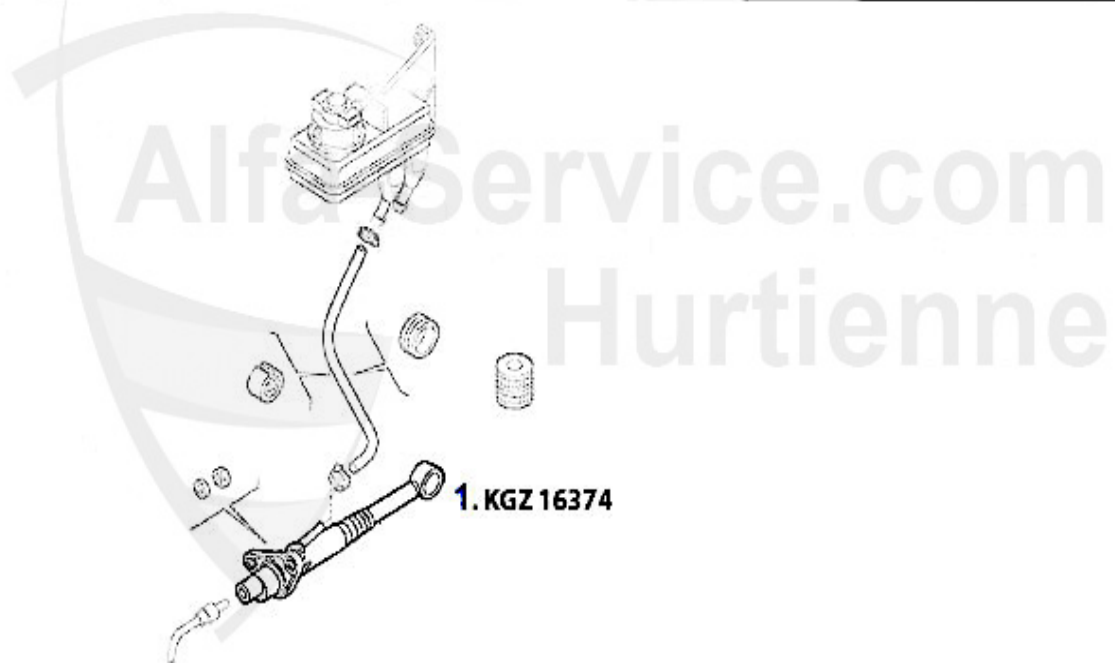
1 KGZ16374

OE. 46516374 CLUTCH PUMP 156 TS/JTS/JTD 20V

119.00 EUR

## Kupplungsbetätigung/Clutch Actuation 156 2.0 TS

---



---

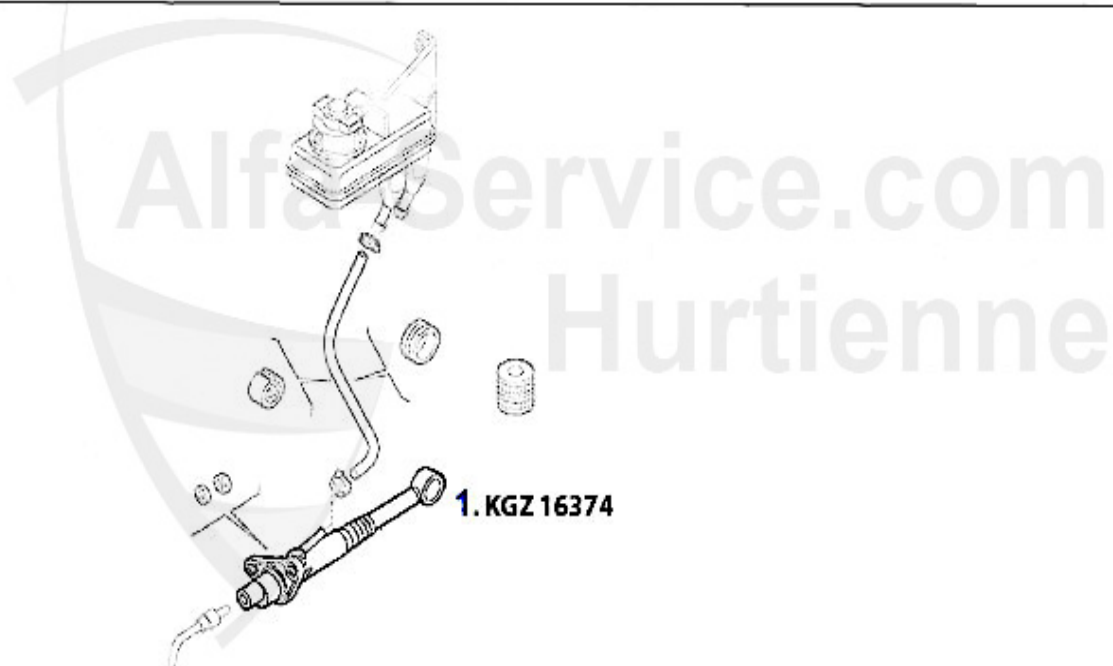
1 KGZ16374

OE. 46516374 CLUTCH PUMP 156 TS/JTS/JTD 20V

119.00 EUR

## Kupplungsbetätigung/Clutch Actuation 156 2.0 JTS

---



1 KGZ16374

OE. 46516374 CLUTCH PUMP 156 TS/JTS/JTD 20V

119.00 EUR

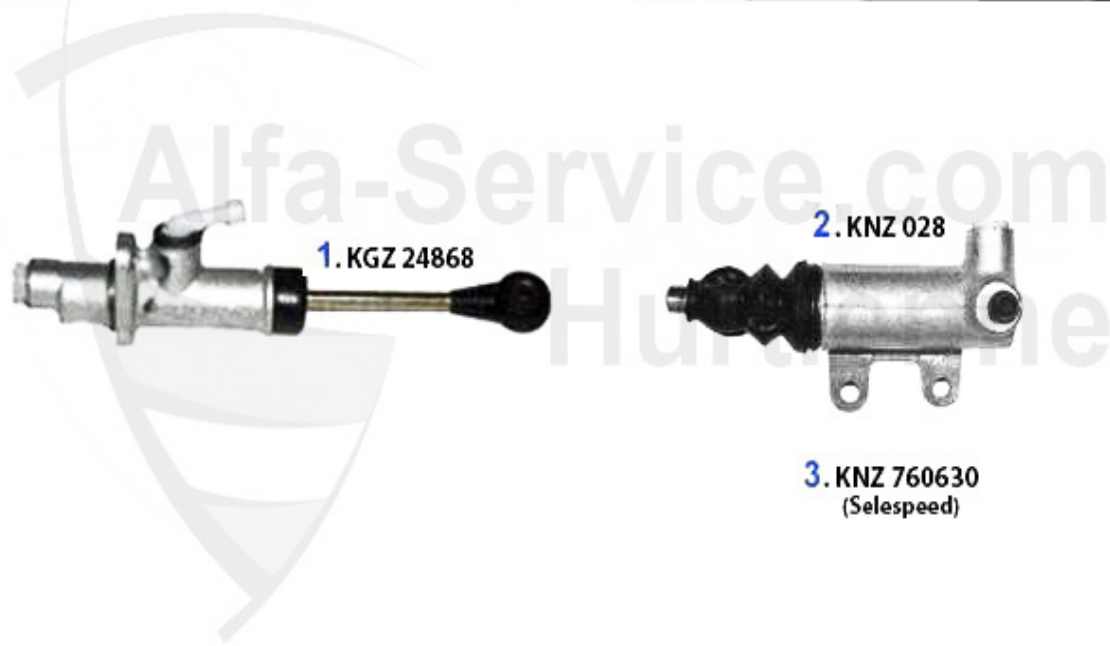
Kupplungsbetätigung/Clutch Actuation 156 2.5 V6 24V

---



1	KGZ24868	Kupplungsgeberzylinder 156 1.9/2.4 JTD,2.5/3.2 V6 24V/G	91.30 EUR
2	KNZ028	OE. 60801577 CLUTCH SLAVE CYLINDER	55.00 EUR
2	KNZ008	OE. 60502665 CLUTCH SLAVE CYLINDER	62.00 EUR

Kupplungsbetätigung/Clutch Actuation 156 3.2 V6 24V/GTA



1	KGZ24868	Kupplungsgeberzylinder 156 1.9/2.4 JTD,2.5/3.2 V6 24V/G	91.30 EUR
2	KNZ028	OE. 60801577 CLUTCH SLAVE CYLINDER	55.00 EUR
2	KNZ008	OE. 60502665 CLUTCH SLAVE CYLINDER	62.00 EUR
3	KNZ76063	OE. 60607663 CLUTCH CYLINDER 147, Nuovo GT 1.9 JTD/3.2	Preis auf Anfrage

Kupplungsbetätigung/Clutch Actuation 156 1.9 JTD 8V

---



1	KGZ24868	Kupplungsgeberzylinder 156 1.9/2.4 JTD,2.5/3.2 V6 24V/G	91.30 EUR
2	KNZ028	OE. 60801577 CLUTCH SLAVE CYLINDER	55.00 EUR
2	KNZ008	OE. 60502665 CLUTCH SLAVE CYLINDER	62.00 EUR

156 > DRIVETRAIN > CLUTCH ACTUATION > 1.9 JTD 16V

Kupplungsbetätigung/Clutch Actuation 156 1.9 JTD 16V

---



1	KGZ24868	Kupplungsgeberzylinder 156 1.9/2.4 JTD,2.5/3.2 V6 24V/G	91.30 EUR
2	KNZ028	OE. 60801577 CLUTCH SLAVE CYLINDER	55.00 EUR
2	KNZ008	OE. 60502665 CLUTCH SLAVE CYLINDER	62.00 EUR

156 > DRIVETRAIN > CLUTCH ACTUATION > 2.4 JTD 10V

Kupplungsbetätigung/Clutch Actuation 156 2.4 JTD 10V

---



1	KGZ24868	Kupplungsgeberzylinder 156 1.9/2.4 JTD,2.5/3.2 V6 24V/G	91.30 EUR
2	KNZ028	OE. 60801577 CLUTCH SLAVE CYLINDER	55.00 EUR
2	KNZ008	OE. 60502665 CLUTCH SLAVE CYLINDER	62.00 EUR



---

1 KGZ24868

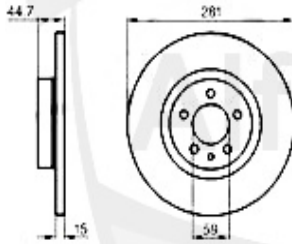
Kupplungsgeberzylinder 156 1.9/2.4 JTD,2.5/3.2 V6 24V/G

91.30 EUR

# Bremsscheiben/Brakedisks 156/SW >2002

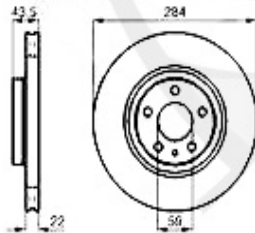
**1. BS 101311**

1.6/1.8 TS, 1.9 JTD > #0383456  
vorne/front



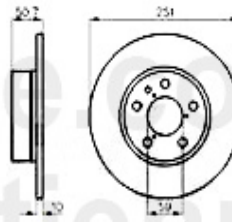
**2. BS 518751**

1.6/1.8/2.0 TS, 2.5 V6, 1.9/2.4 JTD  
vorne/front  
belüftet/ventil.



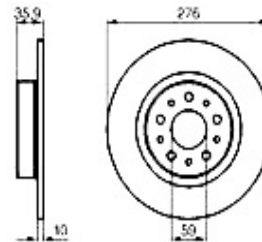
**3. BS 518815**

- Sport Kit/GTA  
hinten/rear



**4. BS 469908**

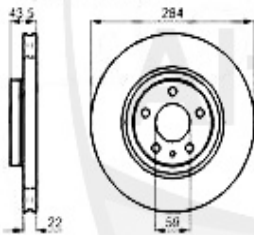
+ Sport Kit/GTA  
hinten/rear



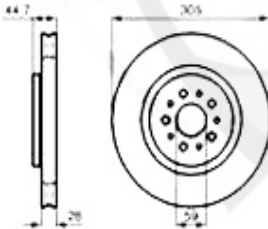
1	BS101311	FRONT BRAKE DISC 147 1.6 16V TS,156 1.6/ 1.8/16V TS/1.9	76.95 EUR
2	BS518751	OE. 71739568 FRONT BRAKE DISK 147, 156, 164, gtv/spider	70.78 EUR
3	BS518815	OE. 71738911 REAR BRAKE DISK 147, 156, 164	70.78 EUR
4	BS469908	OE. 46469908 REAR BRAKE DISC	78.99 EUR

## Bremsscheiben/Brakedisks 156/SW 2002&gt;

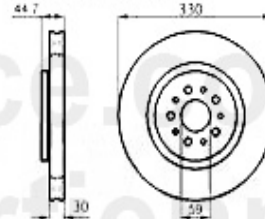
**1. BS 518751**  
-GTA/1,9 JTD 4x4  
vorne/front  
belüftet/ventil.



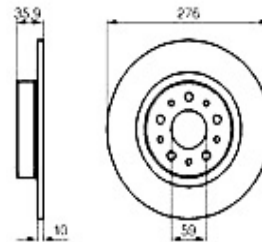
**2. BS 101651**  
+ GTA > 10.2003  
vorne/front  
belüftet/ventil.



**3. BS 733051**  
+ GTA 11.2003>/1.9 JTD 4x4  
vorne/front  
belüftet/ventil.



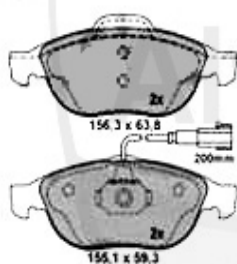
**4. BS 469908**  
hinten/rear



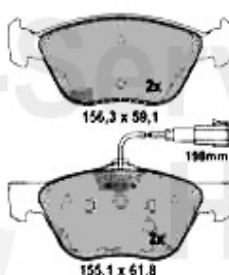
1	BS518751	OE. 71739568 FRONT BRAKE DISK 147, 156, 164, gtv/spider	70.78 EUR
2	BS101651	FRONT BRAKE DISK 147/156 GTA GTV/SPIDER (916) 3.0/3.2 V	87.20 EUR
3	BS733051	OE.51733051 FRONT BRAKE DISC GTA 147 2003>,156 2002>	159.00 EUR
4	BS469908	OE. 46469908 REAR BRAKE DISC	78.99 EUR

# Brembeläge/Brakepads 156 > 2002

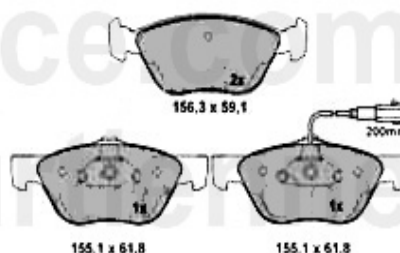
**1. 23140**  
vorne/front  
1.6/1.8 TS/1.9 JTD > 2000



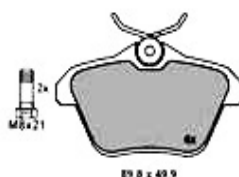
**2. 21636**  
vorne/front  
2.0 TS, 2.5 V6, 2.4 JTD



**3. 23289**  
vorne/front  
1.6/1.8 TS/1.9 JTD 2000 >

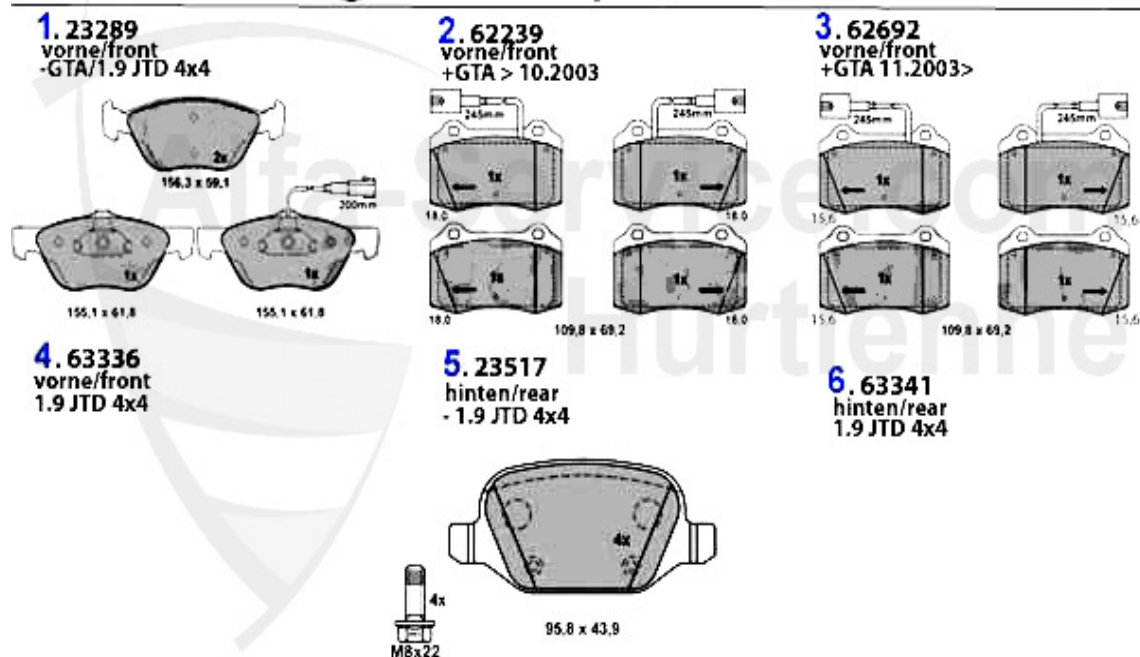


**4. 21606**  
hinten/rear



<b>1</b>	<b>23140 193 05</b>	<b>BRAKE PADS FRONT WITH ABRASION CONTACT, 147 1.6 16V TS,</b>	<b>63.96 EUR</b>
<b>2</b>	<b>21636 193 05</b>	<b>OE 77362222, BRAKE PADS WITH ABRASION CONTACT, 155 1.6/</b>	<b>67.50 EUR</b>
<b>3</b>	<b>23289 193 05</b>	<b>BRAKE PADS FRONT WITH WARNING CONTACT 145/6 1.8/2.0 16V</b>	<b>69.76 EUR</b>
<b>4</b>	<b>21606 166 24</b>	<b>OE. 71712910 REAR BRAKE PADS WITHOUT ABRASION CONTACT,</b>	<b>62.58 EUR</b>

## Brembeläge/Brakepads 156 2002 &gt;



1	23289 193 05	BRAKE PADS FRONT WITH WARNING CONTACT 145/6 1.8/2.0 16V	69.76 EUR
2	62239	OE. 77362239 BRAKE PAD-SET FRONT 147/156 GTA >10.2003	87.20 EUR
3	62692	OE. 77362692 BRAKE PAD-SET FRONT 147/156 GTA 10.2003>	93.87 EUR
4	63336	OE. 77363336 BRAKE PAD-SET 156/SW 1.9 JTD 4x4 FRONT	174.69 EUR
5	23517 165 04	BRAKE PADS REAR WITHOUT WARNING CONTACT 147 1.6/2.0/16V	59.00 EUR
6	63341	OE. 77363341 BRAKE PAD-SET REAR 156/SW 1.9 JTD 4x4	76.95 EUR

## Bremszangen/Calipers 156 >2002



**1. BZ 211041**  
links/left  
1.6/1.8 TS  
1.9 JTD > #00383456

**2. BZ 211042**  
rechts/right  
1.6/1.8 TS  
1.9 JTD > #00383456



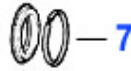
**3. BZ 48466**  
links/left  
2.0TS/2.5V6/2.4JTD  
1.9 JTD #00383457>

**4. BZ 48471**  
rechts/right  
2.0TS/2.5V6/2.4JTD  
1.9 JTD #00383457>



**5. BZ 47885**  
links/left  
hinten/rear

**6. BZ 47896**  
rechts/right  
hinten/rear



<b>1</b>	<b>BZ211041</b>	OE. 9948124 BRAKE CALIPER FL 147 1.6 TS, 156 1.6/1.8 TS	<b>69.96 EUR</b>
<b>2</b>	<b>BZ211042</b>	OE. 9948129 BRAKE CALIPER FR 147 1.6 TS, 156 1.6/1.8 TS	<b>69.96 EUR</b>
<b>3</b>	<b>BZ48466</b>	OE. 9948466 BRAKE CALIPER FL 147, 156, Nuovo GT TS 16V,	<b>68.23 EUR</b>
<b>4</b>	<b>BZ48471</b>	OE. 9948469 BRAKE CALIPER FR 147, 156, Nuovo GT TS 16V,	<b>68.23 EUR</b>
<b>5</b>	<b>BZ47885</b>	OE. 9947885 BRAKE CALIPER RL 156 >02,166	<b>73.24 EUR</b>
<b>6</b>	<b>BZ47896</b>	OE. 9947896 BRAKE CALIPER RR 156 >02,166	<b>73.24 EUR</b>
<b>7</b>	<b>RSBS4359</b>	REPAIRKIT FOR ONE CALIPPER TYP ATE 53MM 145/6 1.4 16VTS	<b>19.90 EUR</b>
<b>7</b>	<b>RSBS4025</b>	REPAIR KIT FOR CALIPPER ATE 53mm DIAM. (for one calippe	<b>21.99 EUR</b>

# Bremszangen/Calipers 156 2002> vorne/front



**1. BZ 48466**  
links/left  
-GTA

**2. BZ 48471**  
rechts/right  
-GTA



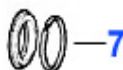
**3. BZ 947849**  
links/left  
GTA >11.2003

**4. BZ 947850**  
rechts/right  
GTA >11.2003



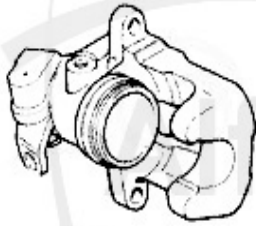
**5. BZ 62676**  
links/left  
GTA 11.2003>

**6. BZ 62677**  
rechts/right  
GTA 11.2003>



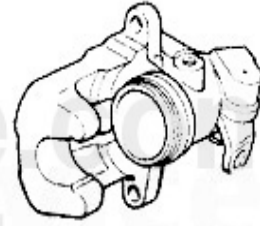
<b>1</b>	<b>BZ48466</b>	OE. 9948466 BRAKE CALIPER FL 147, 156, Nuovo GT TS 16V,	<b>68.23 EUR</b>
<b>2</b>	<b>BZ48471</b>	OE. 9948469 BRAKE CALIPER FR 147, 156, Nuovo GT TS 16V,	<b>68.23 EUR</b>
<b>3</b>	<b>BZ947849</b>	Frontbrake Callipper 147,156,916 3.2 V6	<b>241.84 EUR</b>
<b>4</b>	<b>BZ947850</b>	Frontbrake Callipper 147,156,916 3.2 V6	<b>244.49 EUR</b>
<b>5</b>	<b>BZ62676</b>	OE. 77362676 F.BRK.CAL.W/O PAD 147, 156 2002>, Nuovo GT	<b>270.78 EUR</b>
<b>6</b>	<b>BZ62677</b>	OE. 77362677 F.BRK.CAL.W/O PAD 147, 156 2002>, Nuovo GT	<b>270.78 EUR</b>
<b>7</b>	<b>RSBS4359</b>	REPAIRKIT FOR ONE CALIPPER TYP ATE 53MM 145/6 1.4 16VTS	<b>19.90 EUR</b>
<b>7</b>	<b>RSBS4025</b>	REPAIR KIT FOR CALIPPER ATE 53mm DIAM. (for one calippe	<b>21.99 EUR</b>

## Bremszangen/Calipers 156 2002> hinten/rear



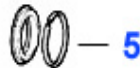
**1. BZ 48544**  
links/left  
-GTA

**2. BZ 48547**  
rechts/right  
-GTA



**3. BZ 49522**  
links/left  
GTA

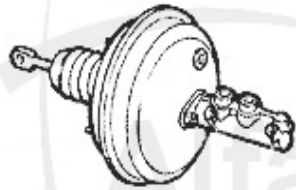
**4. BZ 49523**  
rechts/right  
GTA



<b>1</b>	<b>BZ48544</b>	OE. 9951213/9948544 BRAKE CALIPPER REAR LEFT 147,156/SW	<b>88.48 EUR</b>
<b>2</b>	<b>BZ48547</b>	OE. 9951214/9948547 BRAKE CALIPPER REAR RIGHT 147,156/S	<b>88.48 EUR</b>
<b>3</b>	<b>BZ49522</b>	OE. 9949522 BRAKE CALIPER RL 147, 156 2002>, Nuovo GT 3	<b>53.26 EUR</b>
<b>4</b>	<b>BZ49523</b>	OE. 9949523 BRAKE CALIPER RR 147, 156 2002>, Nuovo GT 3	<b>53.80 EUR</b>
<b>5</b>	<b>RSBS356</b>	Rep.-Satz Bremssattel hinten(Lukas) 147GTA/156GTA/156sw	<b>21.99 EUR</b>

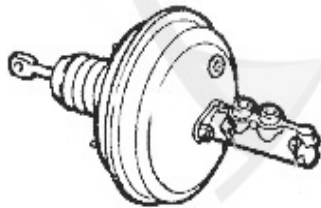
## 156 > BRAKE > BRAKE SERVO/BRAKE MASTER CYL. >2002

BKV/Hauptbremszylinder/Brakeservo/Brake master cylinder 156 >2002



**1. BKV 27989**  
- 2.5 V6 Autom.

**4. HBZ 300**



**2. BKV 44950**  
+ 2.5 V6 Autom.

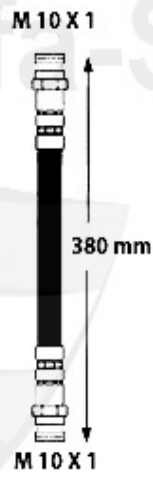
<b>1</b>	<b>BKV27989</b>	Bremskraftverstärker 156 1.6/1.8/2. .0 TS 16V/2.5 V6/1.	<b>740.00 EUR</b>
<b>1</b>	<b>BKV49654</b>	Bremskraftverstärker 156 2.0 TS/JTS 16V Bj. 02> (nicht	<b>481.41 EUR</b>
<b>3</b>	<b>HBZ300</b>	BRAKE MASTER CYLINDER 156	<b>132.34 EUR</b>

# Bremsschlauch/Brake Hose 156

**1. BS 517136**  
vorne/front  
- GTA



**2. BS 674858**  
vorne/front  
GTA



**3. BS 511666**  
hinten/rear  
>2002



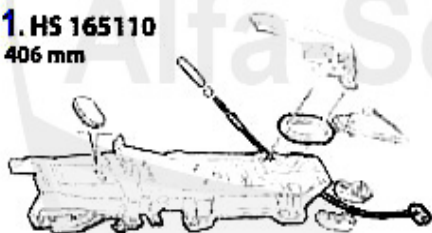
**4. BS 700558**  
hinten/rear  
2002>



<b>1</b>	<b>BS517136</b>	<b>FRONT BRAKE HOSE 145/6 1.4/1.6/3.0 V6 06.95&gt;</b>	<b>15.99 EUR</b>
<b>2</b>	<b>BS674858</b>	<b>OE. 60674858 BRAKE HOSE fr. 147/Nuovo GT 3.2 GTA</b>	<b>22.50 EUR</b>
<b>3</b>	<b>BS511666</b>	<b>Bremsschlauch HA 147, 156 &gt;2002</b>	<b>15.51 EUR</b>
<b>4</b>	<b>BS700558</b>	<b>OE. 51700558 REAR BRAKE HOSE 156 2002&gt;, Nuovo GT</b>	<b>23.50 EUR</b>

# Handbremsseil/Brake Cable 156/SW

**1. HS 165110**  
406 mm



**2. HS 25131**  
955/1225 mm

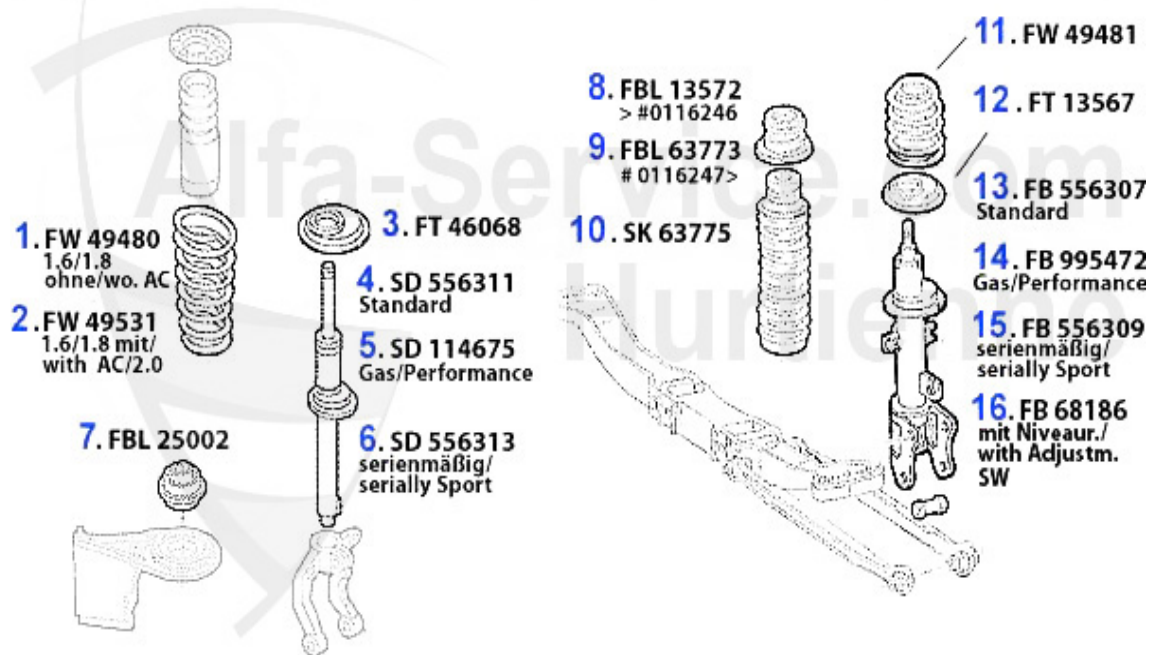


**3. HS 25132**  
1010/1280 mm



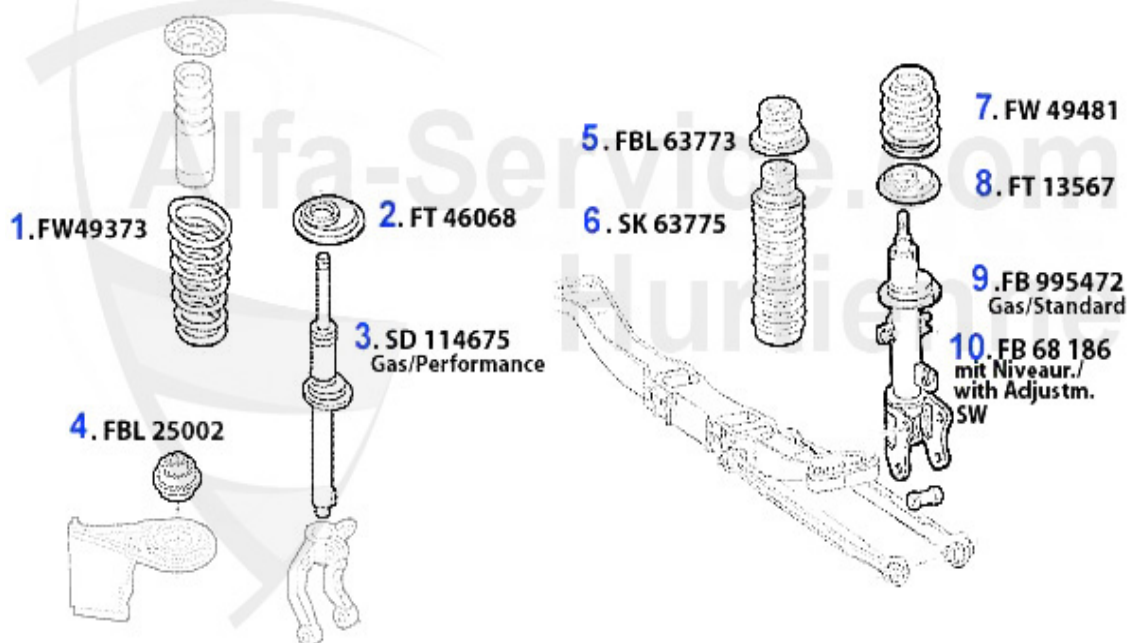
<b>1</b>	<b>HS165110</b>	<b>HANDBRAKE CABLE FRONT 145/6,147,155, SPIDER/GTV (916),N</b>	<b>19.08 EUR</b>
<b>2</b>	<b>HS25131</b>	<b>HANDBRAKE CABLE RIGHT 156/NUOVO GT</b>	<b>33.89 EUR</b>
<b>3</b>	<b>HS25132</b>	<b>HANDBRAKE CABLE LEFT 156/NUOVO GT</b>	<b>33.89 EUR</b>

## Federbeine/Struts 156 TS 16V



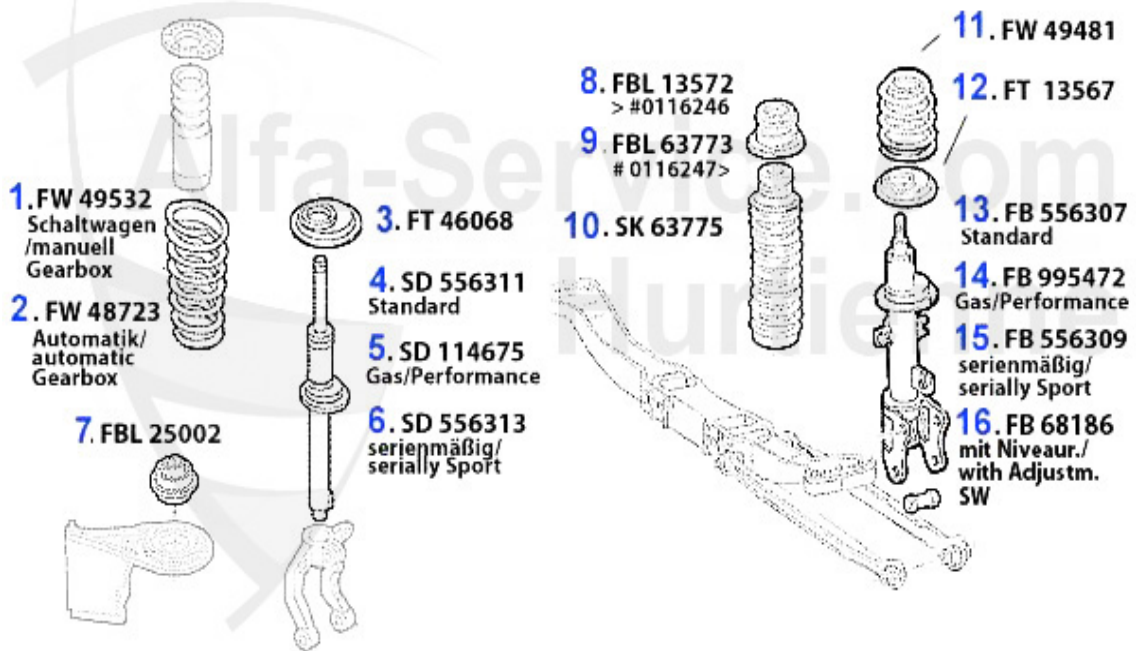
1	FW49480	Fahrwerksfeder vorne 156 1.6/1.8 16 V TS (ohne klima)	56.83 EUR
2	FW49531	Fahrwerksfeder vorne 156 4-zylinder 1.6/1.8 16V TS (mit	80.99 EUR
3	FT46068	OE.46746068 RING f. STRUT 147 FA (RUBBER)	5.00 EUR
4	SD556311	Stossdämpfer vorne 156 oben Stift/unteren Schelle,1-Rohr	107.72 EUR
5	SD114675	SHOCK ABSORBER FRONT 147,156, 1-PIPE GAS PERFORMANCE, O	119.00 EUR
6	SD556313	Stossdämpfer vorne 156 oben Stift/unteren Schelle ,1-Rohr	114.89 EUR
7	FBL25002	OE.60625002,STRUT BEARING FRONT 147, 156,166, NUOVO GT	55.00 EUR
9	FBL63773	OE. 60663773 ELASTIC PAD f. REAR STRUT 156 # 0116246>	114.99 EUR
10	SK63775	OE. 60663775 SHIELD f. STRUT RA 147	10.95 EUR
11	FW49481	Fahrwerksfeder hinten 147,156,Nuovo GT	69.00 EUR
13	FB556307	Federbein hinten 156,2-Rohr Gas	132.34 EUR
14	FB995472	Federbein hinten 156,1-Rohr Gas Sp ordtdämpfer zur Nachr	179.52 EUR
15	FB556309	Federbein hinten 156,2-Rohr Gas,für Seriensportfahrwerk	142.60 EUR

## Federbeine/Struts 2.0 JTS



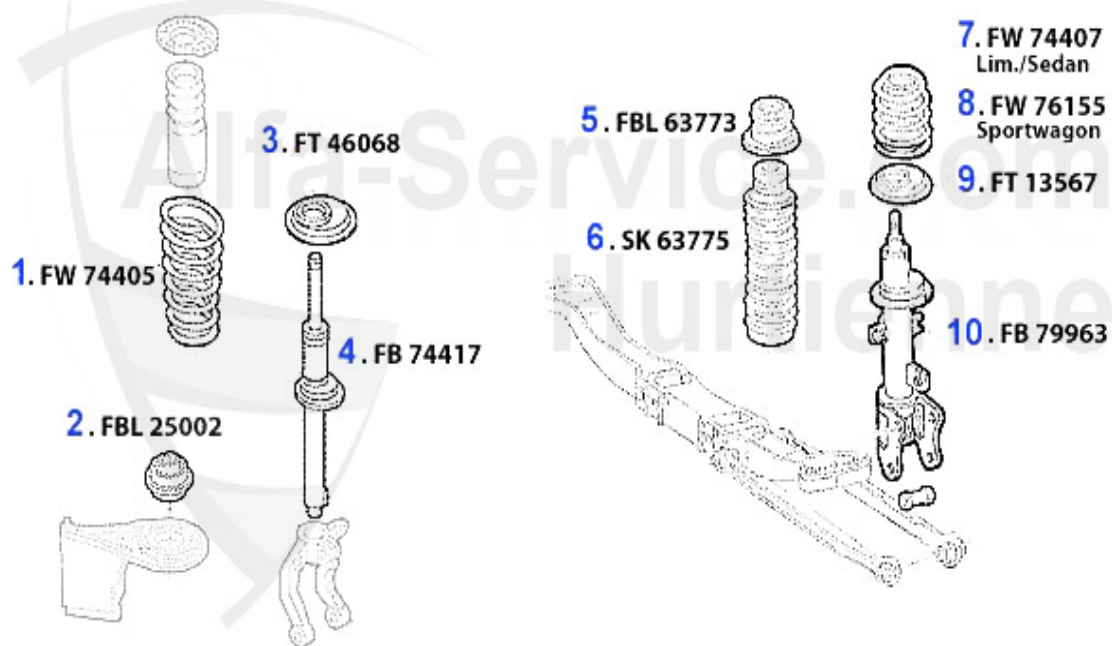
2	FT46068	OE.46746068 RING f. STRUT 147 FA (RUBBER)	5.00 EUR
3	SD114675	SHOCK ABSORBER FRONT 147,156, 1-PIPE GAS PERFORMANCE, O	119.00 EUR
4	FBL25002	OE.60625002,STRUT BEARING FRONT 147, 156,166, NUOVO GT	55.00 EUR
5	FBL63773	OE. 60663773 ELASTIC PAD f. REAR STRUT 156 # 0116246>	114.99 EUR
6	SK63775	OE. 60663775 SHIELD f. STRUT RA 147	10.95 EUR
7	FW49481	Fahrwerksfeder hinten 147,156,Nuovo GT	69.00 EUR
9	FB995472	Federbein hinten 156,1-Rohr Gas Sp ordtdämpfer zur Nachr	179.52 EUR

## Federbeine/Struts 2.5 V6 24V



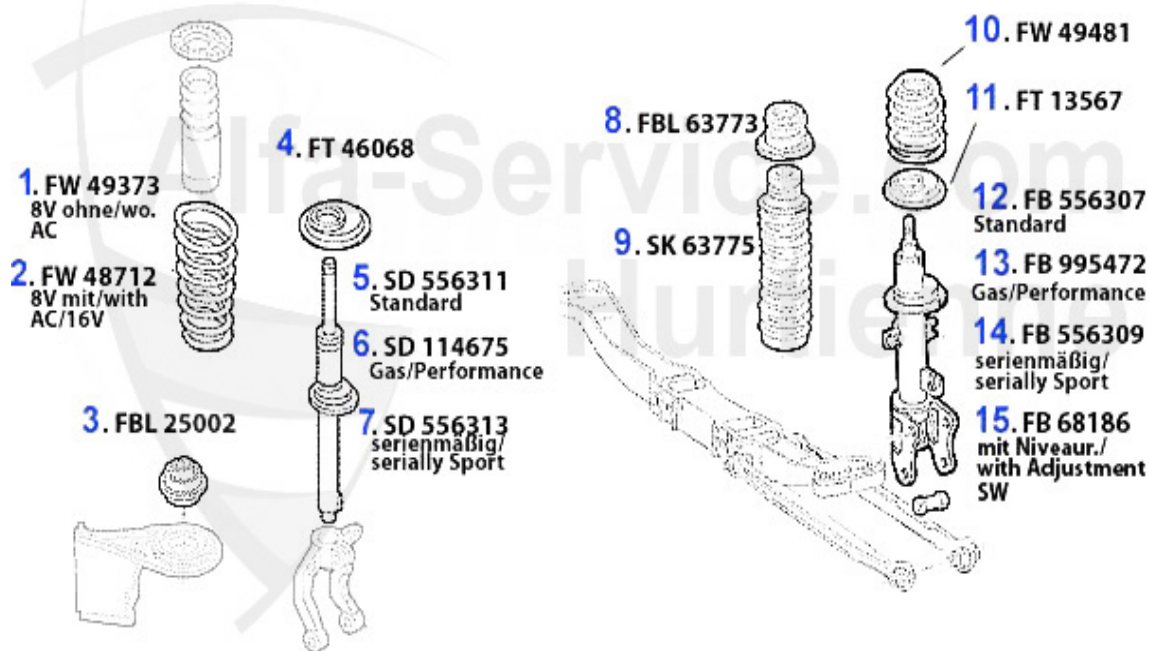
1	FW49532	FRONT SHOCK ABSORBER 156 6-CYL. 2.4 JTD (ONLY WITHOUT A	69.00 EUR
3	FT46068	OE.46746068 RING f. STRUT 147 FA (RUBBER)	5.00 EUR
4	SD556311	Stossdämpfer vorne 156 oben Stift/u nten Schelle,1-Rohr	107.72 EUR
5	SD114675	SHOCK ABSORBER FRONT 147,156, 1-PIPE GAS PERFORMANCE, O	119.00 EUR
6	SD556313	Stossdämpfer vorne 156 oben Stift/u nten Schelle ,1-Roh	114.89 EUR
7	FBL25002	OE.60625002,STRUT BEARING FRONT 147, 156,166, NOUVO GT	55.00 EUR
9	FBL63773	OE. 60663773 ELASTIC PAD f. REAR STRUT 156 # 0116246>	114.99 EUR
10	SK63775	OE. 60663775 SHIELD f. STRUT RA 147	10.95 EUR
11	FW49481	Fahrwerksfeder hinten 147,156,Nuovo GT	69.00 EUR
13	FB556307	Federbein hinten 156,2-Rohr Gas	132.34 EUR
14	FB995472	Federbein hinten 156,1-Rohr Gas Sp ordämpfer zur Nachr	179.52 EUR
15	FB556309	Federbein hinten 156,2-Rohr Gas,für Seriensportfahrwerk	142.60 EUR

## Federbeine/Struts 156 GTA



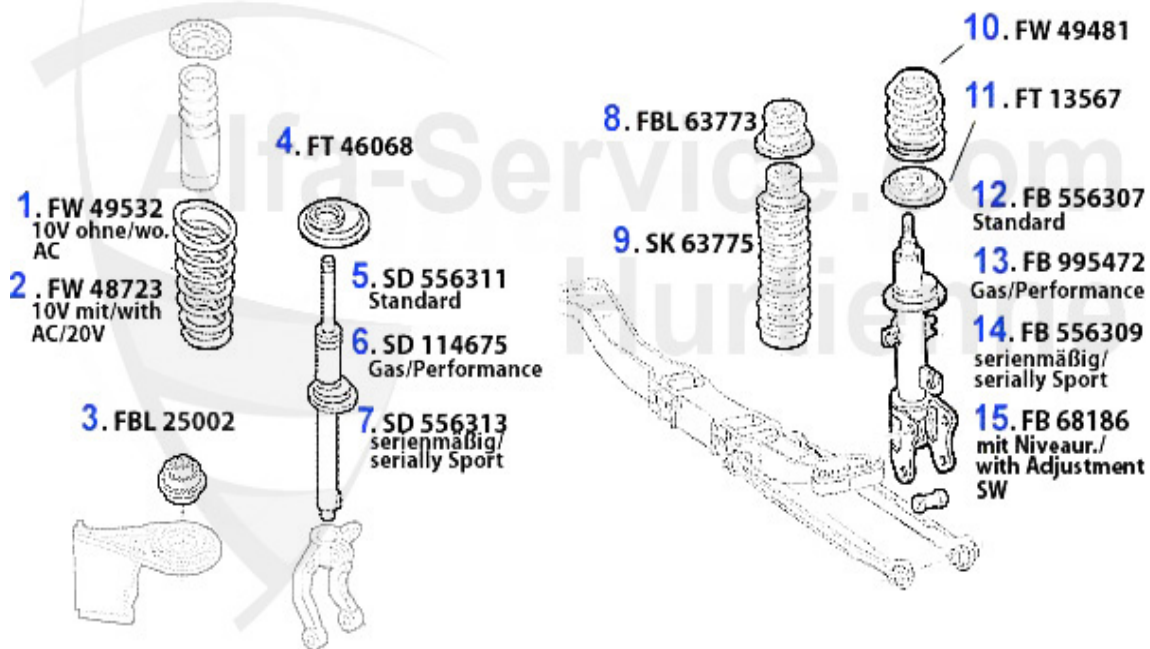
1	FW74405	OE. 60674405 SPRING FA 147 GTA	89.00 EUR
2	FBL25002	OE.60625002,STRUT BEARING FRONT 147, 156,166, NOUVO GT	55.00 EUR
3	FT46068	OE.46746068 RING f. STRUT 147 FA (RUBBER)	5.00 EUR
5	FBL63773	OE. 60663773 ELASTIC PAD f. REAR STRUT 156 # 0116246>	114.99 EUR
6	SK63775	OE. 60663775 SHIELD f. STRUT RA 147	10.95 EUR
7	FW74407	OE. 60674407 SPRING RA 156 GTA SEDAN	119.00 EUR
8	FW76155	OE. 60676155 SPRING RA 156 SW GTA	210.00 EUR

## Federbeine/Struts 156 1.9 JTD



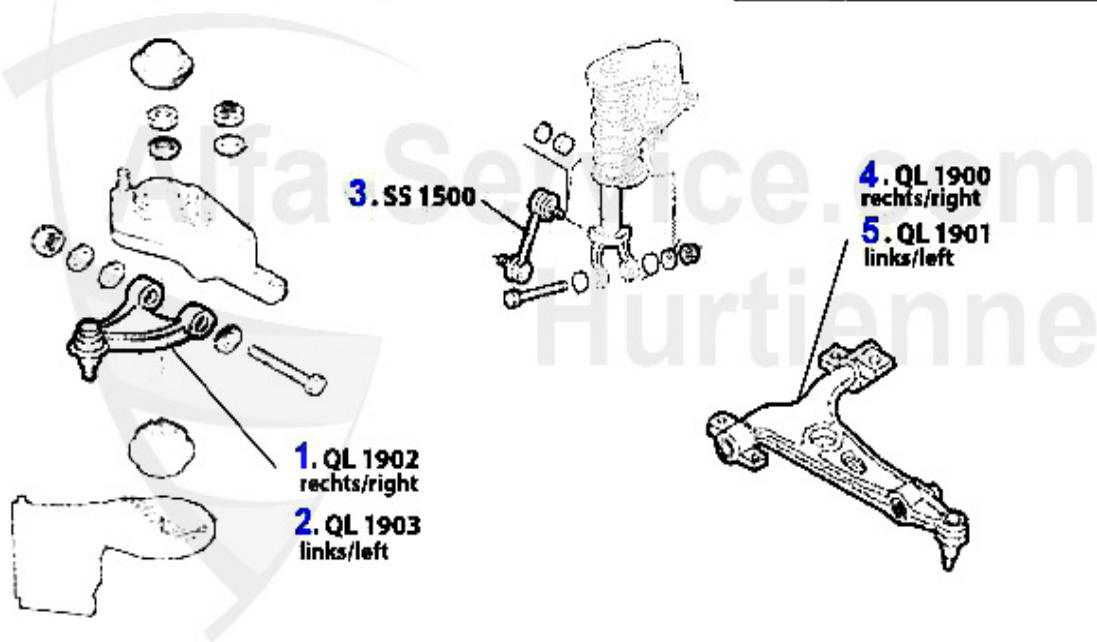
3	FBL25002	OE.60625002,STRUT BEARING FRONT 147, 156,166, NOUVO GT	55.00 EUR
4	FT46068	OE.46746068 RING f. STRUT 147 FA (RUBBER)	5.00 EUR
5	SD556311	Stossdämpfer vorne 156 oben Stift/u nten Schelle,1-Rohr	107.72 EUR
6	SD114675	SHOCK ABSORBER FRONT 147,156, 1-PIPE GAS PERFORMANCE, O	119.00 EUR
7	SD556313	Stossdämpfer vorne 156 oben Stift/u nten Schelle ,1-Roh	114.89 EUR
8	FBL63773	OE. 60663773 ELASTIC PAD f. REAR STRUT 156 # 0116246>	114.99 EUR
9	SK63775	OE. 60663775 SHIELD f. STRUT RA 147	10.95 EUR
10	FW49481	Fahrwerksfeder hinten 147,156,Nuovo GT	69.00 EUR
12	FB556307	Federbein hinten 156,2-Rohr Gas	132.34 EUR
13	FB995472	Federbein hinten 156,1-Rohr Gas Sp ordtdämpfer zur Nachr	179.52 EUR
14	FB556309	Federbein hinten 156,2-Rohr Gas,für Seriensportfahrwerk	142.60 EUR

## Federbeine/Struts 156 2.4 JTD



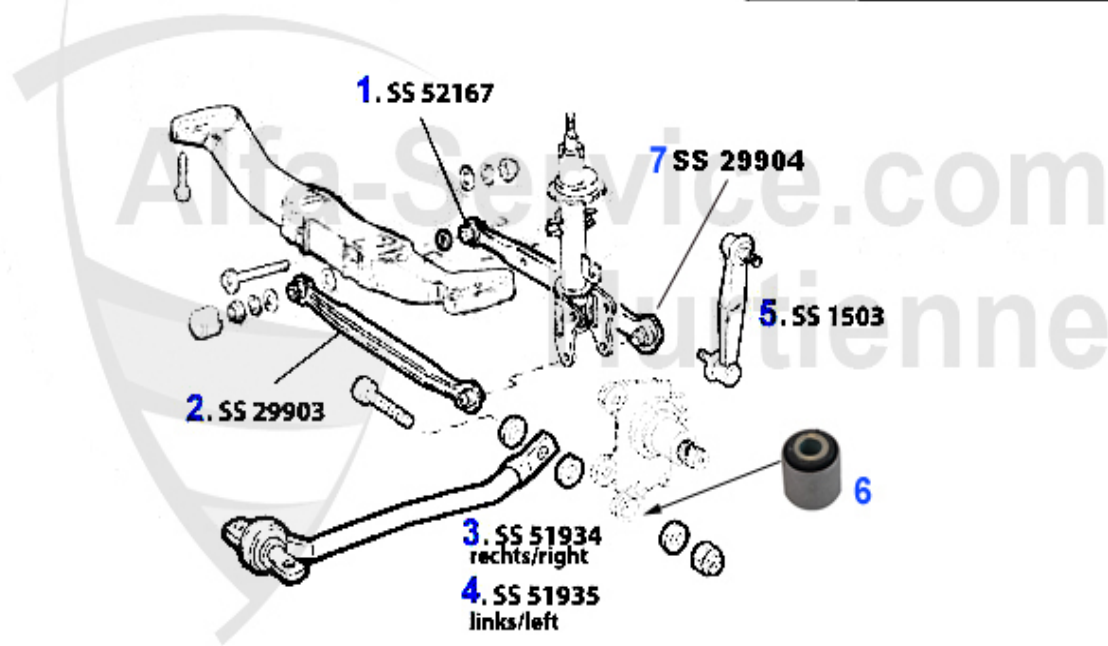
1	FW49532	FRONT SHOCK ABSORBER 156 6-CYL. 2.4 JTD (ONLY WITHOUT A	69.00 EUR
3	FBL25002	OE.60625002,STRUT BEARING FRONT 147, 156,166, NOUVO GT	55.00 EUR
4	FT46068	OE.46746068 RING f. STRUT 147 FA (RUBBER)	5.00 EUR
5	SD556311	Stossdämpfer vorne 156 oben Stift/u nten Schelle,1-Rohr	107.72 EUR
6	SD114675	SHOCK ABSORBER FRONT 147,156, 1-PIPE GAS PERFORMANCE, O	119.00 EUR
7	SD556313	Stossdämpfer vorne 156 oben Stift/u nten Schelle ,1-Roh	114.89 EUR
8	FBL63773	OE. 60663773 ELASTIC PAD f. REAR STRUT 156 # 0116246>	114.99 EUR
9	SK63775	OE. 60663775 SHIELD f. STRUT RA 147	10.95 EUR
10	FW49481	Fahrwerksfeder hinten 147,156,Nuovo GT	69.00 EUR
12	FB556307	Federbein hinten 156,2-Rohr Gas	132.34 EUR
13	FB995472	Federbein hinten 156,1-Rohr Gas Sp ordämpfer zur Nachr	179.52 EUR
14	FB556309	Federbein hinten 156,2-Rohr Gas,für Seriensportfahrwerk	142.60 EUR

## Aufhängung/Attachment 156 vorne/front



1	QL1902	OE. 51776326 UPPER RIGHT SWINGING ARM 147, 156, Nuovo G	77.65 EUR
2	QL1903	OE. 51776327 UPPER LEFT SWINGING ARM 147, 156, Nuovo GT	77.65 EUR
3	SS1500	OE. 46443389 FRONT STABILIZER 147, 156, Nouvo GT	28.00 EUR
4	QL1900	OE.60652466 front lower control arm right side,147,156,	79.00 EUR
5	QL1901	FRONT LOWER CONTROL ARM LEFT SIDE STEEL FORGED,147,156,	79.00 EUR

# Aufhängung/Attachment 156 hinten/rear



1	SS52167	REAR STABILIZING BAR 147,156 BEHIND THE TRAVERSE	54.50 EUR
2	SS29903	REAR STABILIZING BAR 147,156 IN FRONT OF THE TRAVERSE	54.50 EUR
3	SS51934	OE. 60651934 Rod	82.00 EUR
4	SS51935	OE. 60651935 Rod	82.00 EUR
5	SS1503	OE. 60699021/60613575 REAR STABILIZER 147, 156, Nuovo G	35.39 EUR
6	AB9034	OE. 60682636 BUSHING	15.90 EUR
7	SS29904	BUSHING FOR REAR ANTI-ROLL BAR 147/156	9.90 EUR

# Radlager/Wheel Bearing 156

vorne/front:



hinten/rear:



1	RN16025	OE. 60671437 BEARING	159.00 EUR
2	RN3000	Radnabe vorne 156,gtv/spider (916)	74.99 EUR

## Lenkung/Steering 156

---



1	SSK1103	Spurstangenkopf links 147,156,166	37.00 EUR
2	SSK1102	Spurstangenkopf rechts 147,156,166	37.00 EUR
3	LMS91005	STEERING BOOT 147/156/166	22.99 EUR

## 156 > ELECTRIC > FUSE



<b>1</b>	<b>FSI075</b>	<b>Flachsteck-Sicherung 7,5 A</b>	<b>0.20 EUR</b>
<b>2</b>	<b>FSI010</b>	<b>Flachsteck-Sicherung 10 A</b>	<b>0.20 EUR</b>
<b>3</b>	<b>FSI020</b>	<b>Flachsteck-Sicherung 20 A</b>	<b>0.20 EUR</b>
<b>4</b>	<b>FSI025</b>	<b>Flachsteck-Sicherung 25 A</b>	<b>0.20 EUR</b>
<b>5</b>	<b>FSI030</b>	<b>Flachsteck-Sicherung 30 A</b>	<b>Preis auf Anfrage</b>



1 GK17

Glühkerze Beru 145/6,156,166 1.9/2. 4 JTD

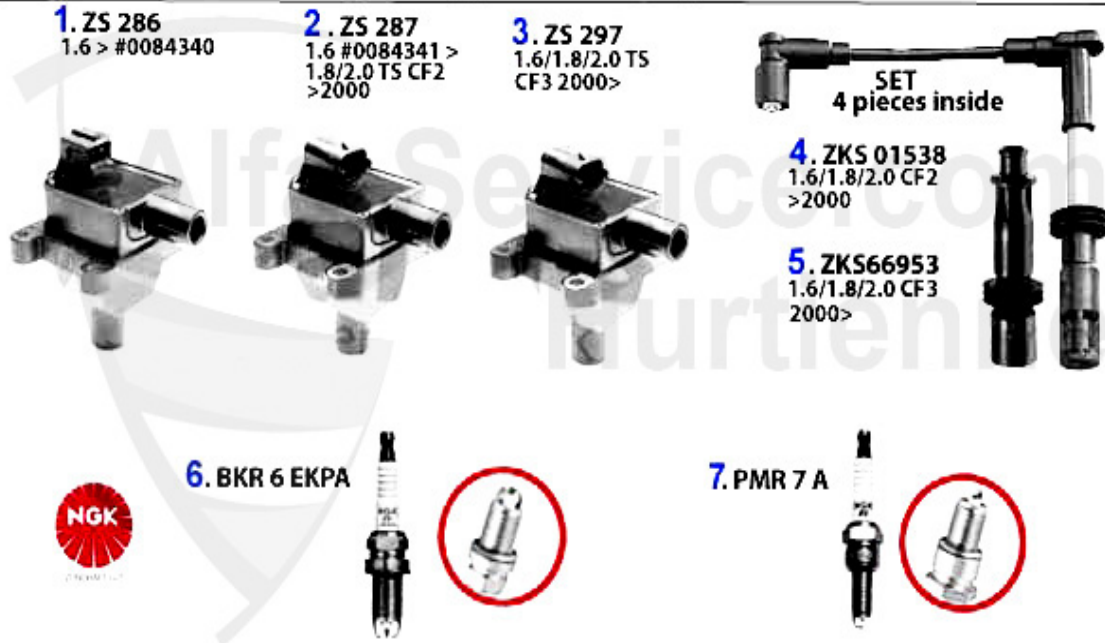
12.90 EUR

## 156 > ELECTRIC > ENGINE ELECTRIC > SENSORS



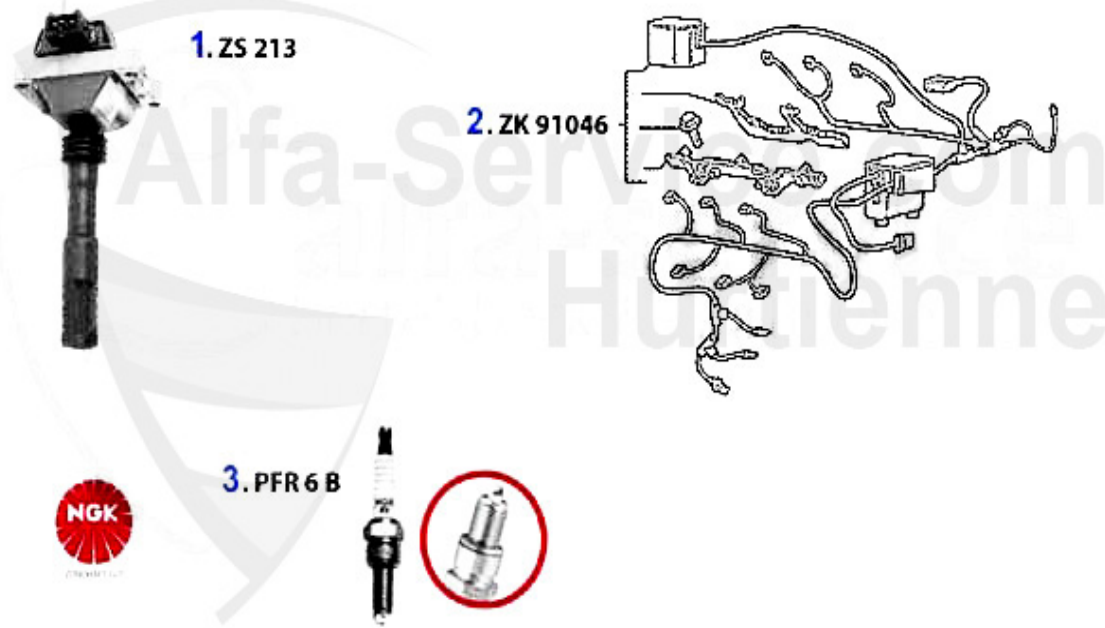
1	ODS4040127	Öldruckschalter 145/6,147,155,156,1 66,gtv/spider (916)	12.00 EUR
1	ODS404068	OE.60807764 oil pressure switch 147 155,156,164,166 gtv	15.51 EUR
2	BLS610296	Bremslichtschalter (mech.) 147/156/ Nuovo GT JTD	24.00 EUR
2	BLS3130160	Bremslichtschalter 145/6,156,166,gt v/spider (916) 3.0	13.99 EUR
2	BLS610295	Bremslichtschalter 147,156,166,gtv/ spider (916) Bj. 98	9.00 EUR
3	WTG60149	Geber Kühlwassertemperatur 145/6, 155, 156, gtv/spider	16.01 EUR
4	KWS69912	Nockenwellen-Sensor 145/6,147,155, 156,Nuovo GT,gtv/spi	69.00 EUR
4	NWS92752	KNOCK SENSOR SPIDER/GTV (916),164,155, 156,166,145,146	39.90 EUR
4	KWS69866	OE. 46469866 SENDING UNIT TS 16V	45.90 EUR
5	NWS69912	OE. 46469912 SENDING UNIT CAMSHAFT TS 16V	68.00 EUR
6	KPS610298	CLUTCH PEDAL SWITCH OE46840511	12.00 EUR
7	RFS9076	Rückfahrl.-Schalter 147,155, 156,gtv/spider (916),Nuovo	12.00 EUR
7	RFS4553	OE. 46434553 SWITCH GEARBOX	39.00 EUR
8	ZIG281002213	Sensor Nockenwellenposition 145/6 JTD,147 JTD,156JTD 15	144.00 EUR

# Zündanlage/Ignitionsystem 156 TS



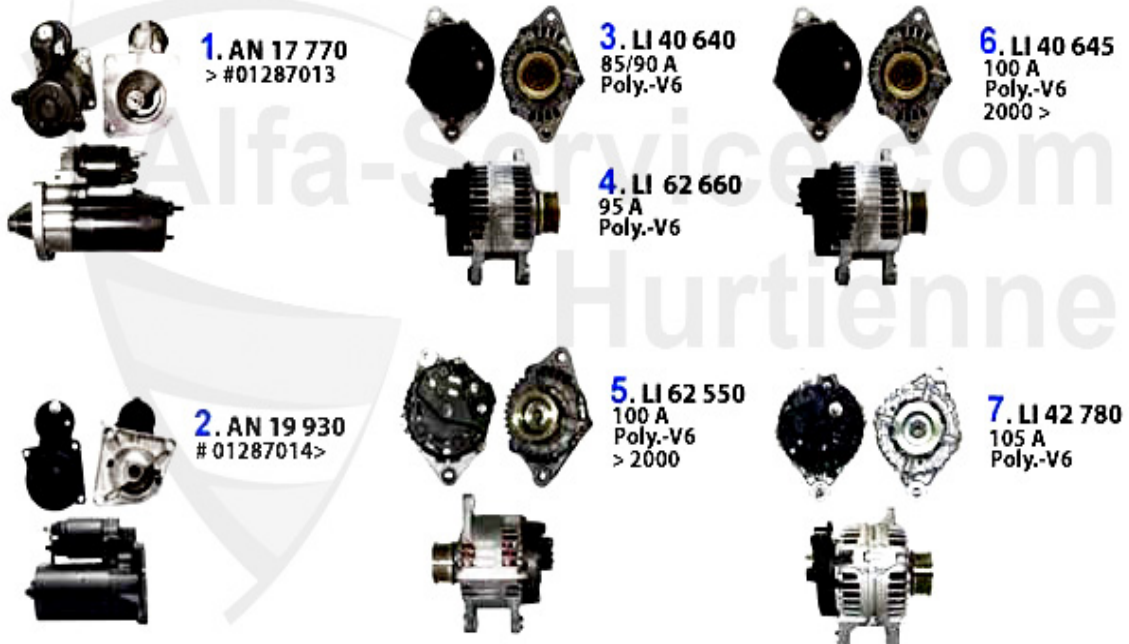
1	ZS286	IGNITION COIL 145/6,155,156,SPIDER/GTV (916) 1.6-2.0 TS	67.00 EUR
2	ZS287	IGNITION COIL 145/6,155,156,166,GTV/ SPIDER (916) 1.4-2	88.50 EUR
3	ZS297	IGNITION COIL 147,166,GTV/SPIDER (916) CF 3	94.90 EUR
4	ZKS01538	Kabelsatz 145/6 1.4/1.6/1.8/2.0 ie 16V TS bj. 97>,155 1	199.00 EUR
5	ZKS66953	IGNITION CABLE SET 147, 156, 166, gtv/ spider (916), N	79.00 EUR
6	BKR 6 EKPA	SPARK PLUG 2 X PLATINUM 145/6,147,155 156,166 GTV/SPIDE	27.50 EUR
7	PMR 7 A	Zündkerze NGK Idrum Langzeitkerze 145/6,147,155,156,16	27.50 EUR

# Zündanlage/Ignitionsystem 156 V6



<b>1</b>	<b>ZS213</b>	OE. 60562701 IGNITION COIL 156,164, 166.spider/gtv(916)	<b>109.00 EUR</b>
<b>3</b>	<b>PFR 6 B</b>	Zündkerze NGK 33 1.7 ie 16V,145/6 1 .7 ie 16V,147 3.2 G	<b>19.00 EUR</b>

## Aggregate/Aggregats 156 TS



1	AN17770	Anlasser 145 1.7ie 16V/2.0 16V QV bj. 03.98>, 147 1.6/2	174.99 EUR
2	AN19930	OE. 55193406 STARTER MOTOR TS 16V/JTS 156 # 1287014>	235.00 EUR
3	LI40640	ALTERNATOR 145/6 1.4-2.0 ie 16V 96-01, 155 1.6 16V,156	216.46 EUR
4	LI62660	ALTERNATOR 145/6,155,156,GTV/SPIDER (916) 2.0 TS	276.98 EUR
5	LI62550	ALTERNATOR 155 1.6/1.7/1.8 TS 16V (WITH AC) 96>	204.14 EUR
7	LI42780	Lichtmaschine 145/6 1.7 ie 16V Bj. 98-01,147 (mit Klima	318.02 EUR

## Aggregate/Aggregats 156 JTS

---

1. AN 19 930



2. LI 82 219



1	AN19930	OE. 55193406 STARTER MOTOR TS 16V/JTS 156 # 1287014>	235.00 EUR
2	LI82219	OE. 46782219 ALTERNATOR 2.0 TS 16V/JTS 2002>	299.00 EUR

# Aggregate/Aggregats 156 V6 24V

**1. AN 15 600**



**2. LI 41 280**  
120 A  
> 2000  
Poly.-V6



**3. LI 73 305**  
120 A  
2000 >  
Poly.-V6



<b>2</b>	<b>LI41280</b>	<b>ALTERNATOR, 156,166 GTV/SPIDER(916) 6 CYL.-EXCHANGE PAR</b>	<b>419.00 EUR</b>
<b>3</b>	<b>LI73305</b>	<b>OE. 60673305 ALTERNATOR 3.2 V6 24V - GTA</b>	<b>259.00 EUR</b>
<b>3</b>	<b>LI73305B</b>	<b>OE. 60673305 ALTERNATOR 3.2 V6 24V - GTA</b>	<b>578.99 EUR</b>

# Aggregate/Aggregats 156 1.9 JTD 8V

1. AN 17 790



2. LI 68 170  
100 A

3. LI 89 068  
120 A



1	AN17790	STARTER 145/6,147,156 1.9 TD/JTD	219.53 EUR
2	LI68170	OE. 60816045 GENERATOR 145/6 1.9 JTD 100 A	330.33 EUR
3	LI89068	OE. 46809068 ALTERNATOR 1.9 JTD 16V 147	406.24 EUR

## Aggregate/Aggregats 156 1.9 JTD 16V

---

1. AN 80 159

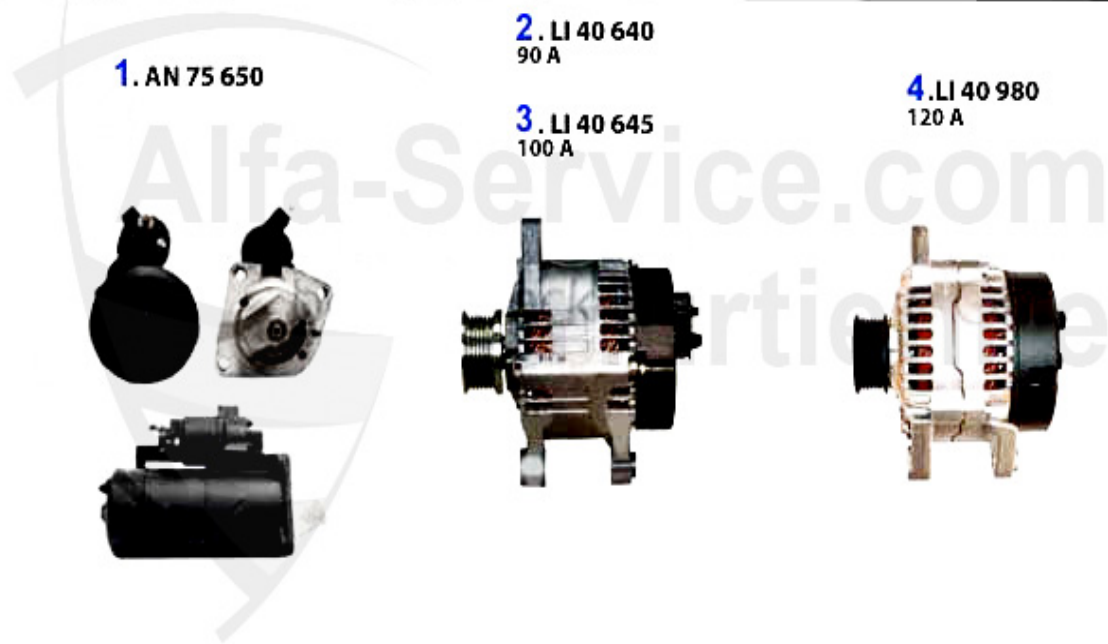


2. LI 89 068



1	AN80159	OE. 46800159 STARTER MOTOR 1.9 JTD 16V 147	265.70 EUR
2	LI89068	OE. 46809068 ALTERNATOR 1.9 JTD 16V 147	406.24 EUR

## Aggregate/Aggregats 156 2.4 JTD 10V



<b>1</b>	<b>AN75650</b>	<b>STARTER 156,166 2.4 JTD</b>	<b>251.34 EUR</b>
<b>2</b>	<b>LI40640</b>	<b>ALTERNATOR 145/6 1.4-2.0 ie 16V 96-01, 155 1.6 16V,156</b>	<b>216.46 EUR</b>
<b>3</b>	<b>LI40645</b>	<b>ALTERNATOR 145/6 (WITH AC),155/6 1.6/ 1.8 16V TS (WITH</b>	<b>287.24 EUR</b>
<b>4</b>	<b>LI40980</b>	<b>ALTERNATOR 156 2.4 JTD (WITH AC)</b>	<b>378.54 EUR</b>

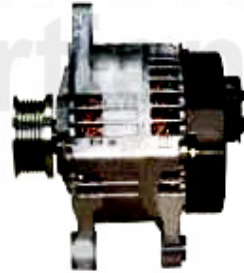
## Aggregate/Aggregats 156 2.4 JTD 20V

---

1. AN 80159



2. LI 89 068  
120 A



1	AN80159	OE. 46800159 STARTER MOTOR 1.9 JTD 16V 147	265.70 EUR
2	LI89068	OE. 46809068 ALTERNATOR 1.9 JTD 16V 147	406.24 EUR

156 > INTERIOR > CAR MAT



1	FMS 156 GTA	FLOR MATS 156 GTS BLACK/RED EMBLEM	79.00 EUR
1	FMS 156	FLOOR MAT SET 156 BLACK VELOUR WITH RED EMBLEM	79.00 EUR