

# **Produktkatalog Nuovo GT**

**Alle Preise inkl. 19% MwSt.**

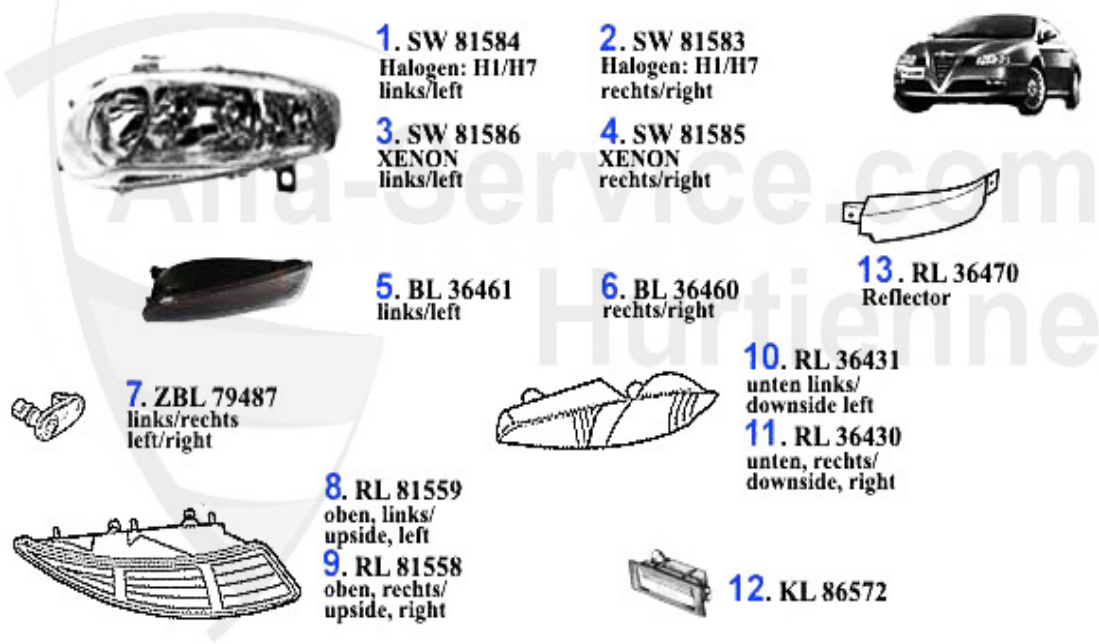
# Table of Contents

<b>Nuovo GT</b> .....	5
<b>BODY</b> .....	5
LIGHTNING .....	5
BODY PARTS .....	6
BUMPER/GRILLE .....	7
<b>ENGINE</b> .....	8
<b>V-BELTS</b> .....	8
1.8 TS.....	8
2.0 JTS .....	9
3.2 V6 24V/GTA .....	10
1.9 JTD .....	11
<b>FUEL SYSTEM</b> .....	12
1.8 TS.....	12
FUEL PUMP .....	12
2.0 JTS.....	13
FUEL PUMP .....	13
3.2 V6 24V/GTA .....	14
FUEL PUMP .....	14
1.9 JTD .....	15
FUEL PUMP .....	15
<b>ENGINE GASKETS</b> .....	16
1.8 TS.....	16
GASKETS ENGINE .....	16
HEADSET .....	17
HEADSCREW SET .....	18
2.0 JTS.....	19
GASKETS ENGINE .....	19
HEADSET .....	20
3.2 V6 24V/GTA .....	21
GASKETS ENGINE .....	21
HEADSET .....	22
FULL SET .....	23
HEADSCREW SET .....	24
1.9 JTD .....	25
GASKETS ENGINE .....	25
HEADGASKET .....	26
HEADSET .....	27
<b>COOLING SYSTEM</b> .....	28
1.8 TS.....	28
RADIATOR .....	28
THERMOSTAT .....	29
WATERPUMP .....	30
2.0 JTS.....	31
RADIATOR .....	31
THERMOSTAT .....	32
WATERPUMP .....	33
3.2 V6 24V/GTA .....	34

RADIATOR .....	34
THERMOSTAT .....	35
WATERPUMP .....	36
HOSES .....	37
1.9 JTD .....	38
RADIATOR .....	38
THERMOSTAT .....	39
WATERPUMP .....	40
ENGINE MOUNT NUOVO GT .....	41
ENGINEMOUNT Nuovo GT 1.8 TS 16V .....	41
ENGINEMOUNT Nuovo GT 2.0 JTS .....	42
ENGINEMOUNT Nuovo GT 3.2 V6 24V/GTA .....	43
VALVE GEAR.....	44
1.8 TS.....	44
CAMSHAFT .....	44
VALVE MECHANISM .....	45
TIMINGBELT .....	46
2.0 JTS .....	47
CAMSHAFT .....	47
VALVE MECHANISM .....	48
TIMINGBELT .....	49
3.2 V6 24V/GTA .....	50
CAMSHAFT .....	50
VALVE MECHANISM .....	51
TIMINGBELT .....	52
1.9 JTD .....	53
Nockenwelle .....	53
VALVE MECHANISM .....	54
TIMINGBELT .....	55
FILTER.....	56
1.8 TS.....	56
2.0 JTS .....	57
3.2 V6 24V/GTA .....	58
1.9 JTD .....	59
EXHAUST SYSTEM.....	60
TURBO CHARGER.....	60
2,4 JTD .....	60
EXHAUST SYSTEM.....	61
1.8 TS.....	61
2.0 JTS .....	62
3.2 V6 24V/GTA .....	63
1.9 JTD CF3/4 .....	64
LAMBDA PROBE.....	65
1.8 TS.....	65
2.0 JTS .....	66
3.2 V6 24V/GTA .....	67
AIR CONDITIONER.....	68
2003 - 2010 1,9JTD .....	68
DRIVETRAIN.....	69
DRIVE SHAFT .....	69

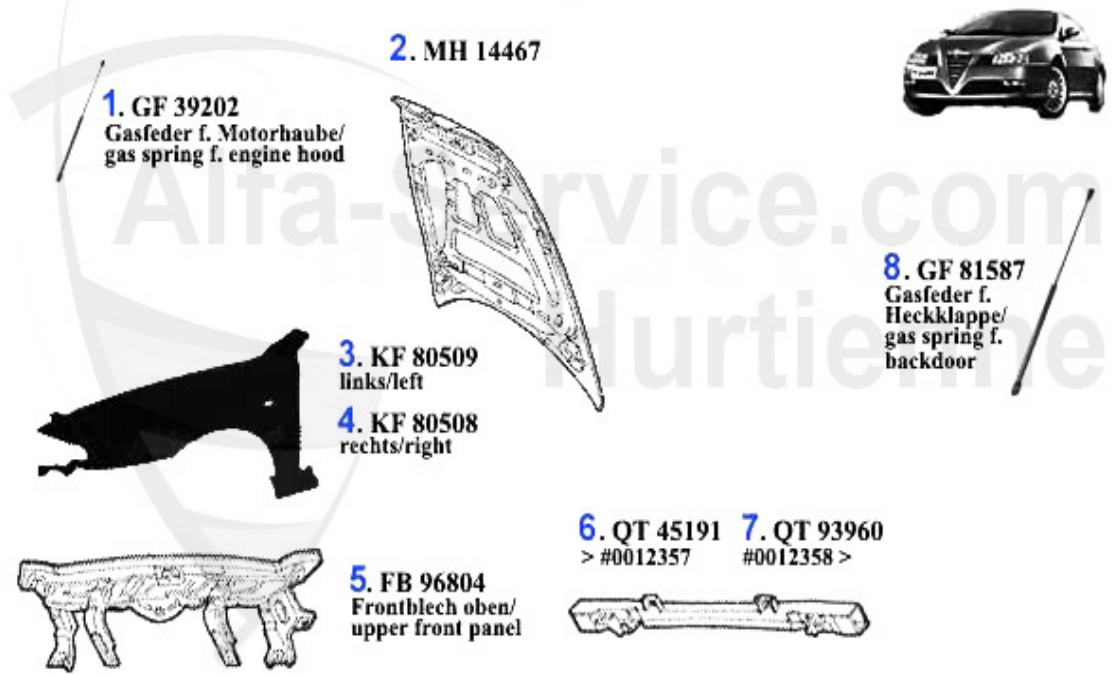
1.8 TS.....	69
2.0 JTS.....	70
3.2 V6 24V/GTA.....	71
1.9 JTD.....	72
CLUTCH.....	73
CLUTCH SET 1.8 TS.....	73
SLEEVE BEARING 1.8 TS.....	74
CLUTCH SET 2.0 JTS.....	75
SLEEVE BEARING 2.0 JTS.....	76
CLUTCH SET 3.2 V6 24V/GTA.....	77
GUIDE BUSH f. SLEEVE BEARING 3.2 V6 24V/.....	78
CLUTCH SET 1.9 JTD.....	79
GUIDE BUSH f. SLEEVE BEARING 1.9 JTD.....	80
CLUTCH ACTUATION.....	81
1.8 TS.....	81
2.0 JTS.....	82
3.2 V6 24V/GTA.....	83
1.9 JTD.....	84
BRAKE.....	85
BRAKE DISKS.....	85
BRAKE PADS.....	86
CALIPER FRONT.....	87
CALIPER REAR.....	88
BRAKE SERVO/BRAKE MASTER CYL.....	89
BRAKE CABLE.....	90
BRAKE HOSES.....	91
SUSPENSION.....	92
STRUT FRONT.....	92
STRUT REAR.....	93
ATTACHMENT FRONT.....	94
ATTACHMENT REAR.....	95
WHEEL BEARING.....	96
STEERING.....	97
STEERING PARTS.....	97
ELECTRIC.....	98
FUSE.....	98
ENGINE ELECTRIC.....	99
IGNITION SYSTEM TS.....	99
INGNITION SYSTEM JTS.....	100
IGNITION SYSTEM GTA.....	101
AGGREGATS 1.8 TS.....	102
AGGREGATS 2.0 JTS.....	103
AGGREGATS GTA.....	104
AGGREGATS JTD.....	105
INTERIOR.....	106
CAR MAT.....	106

# Beleuchtung/Lightning Nuovo GT



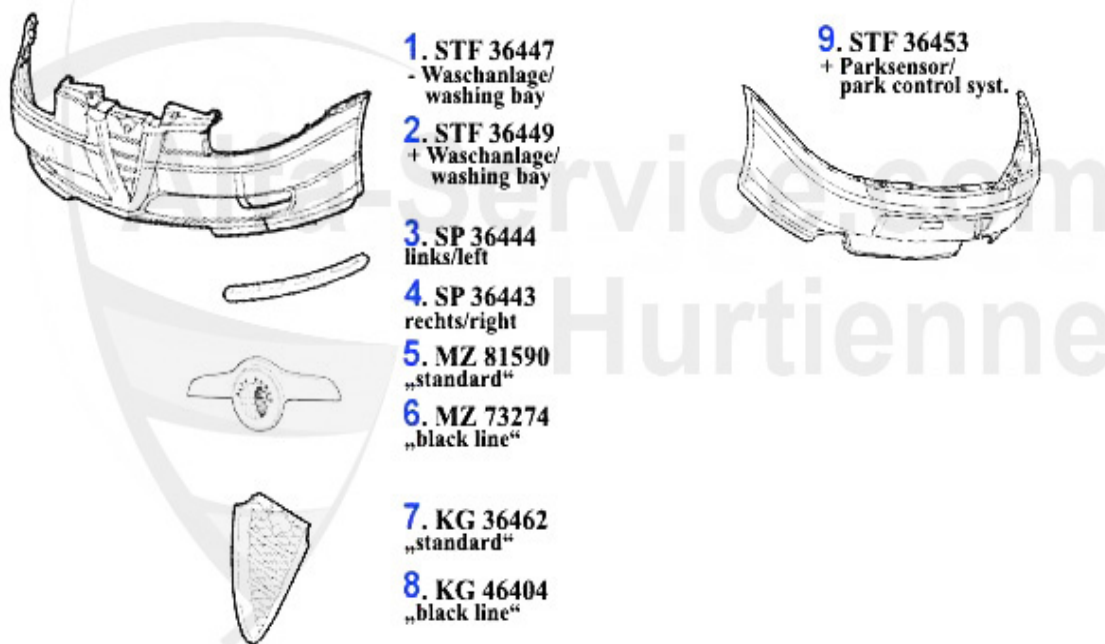
1	SW81584	HEADLAMP LEFT NUOVO GT	320.07 EUR
2	SW81583	HEADLAMP RIGHT NUOVO GT	320.07 EUR
3	SW81586	XENON LAMP LEFT NUOVO GT	850.01 EUR
4	SW81585	XENON LAMP RIGHT NUOVO GT	850.01 EUR
5	BL36461	DIRECTION INDICATOR LEFT NUOVO GT	Preis auf Anfrage
6	BL36460	DIRECTION INDICATORE RIGHT NUOVO GT	Preis auf Anfrage
7	ZBL79487	AUXILIARY INDICATOR NUOVO GT,147 GTA	21.49 EUR
9	RL81558	REAR LIGHT RIGHT NUOVO GT (UPPER)	129.00 EUR
13	RL36470	REAR LIGHT BOTTOM COVER NUOVO GT	17.49 EUR

# Karosserieteile/Body Parts Nuovo GT



1	GF39202	BONNET GAS SPRING 147/NUOVO GT 00-10 (350N)	23.50 EUR
2	MH14467	OE. 51714467 HOOD BONNET Nuovo GT	349.00 EUR
8	GF81587	GAS SPRING FOR REAR LID NUOVO GT 03-10 (400N)	23.09 EUR

# Stoßstangen/Bumpers Nuovo GT



**1. STF 36447**  
- Waschanlage/  
washing bay

**2. STF 36449**  
+ Waschanlage/  
washing bay

**3. SP 36444**  
links/left

**4. SP 36443**  
rechts/right

**5. MZ 81590**  
„standard“

**6. MZ 73274**  
„black line“

**7. KG 36462**  
„standard“

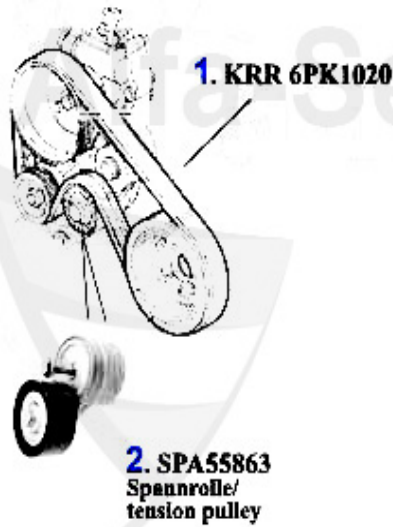
**8. KG 46404**  
„black line“

**9. STF 36453**  
+ Parksensoren/  
park control syst.

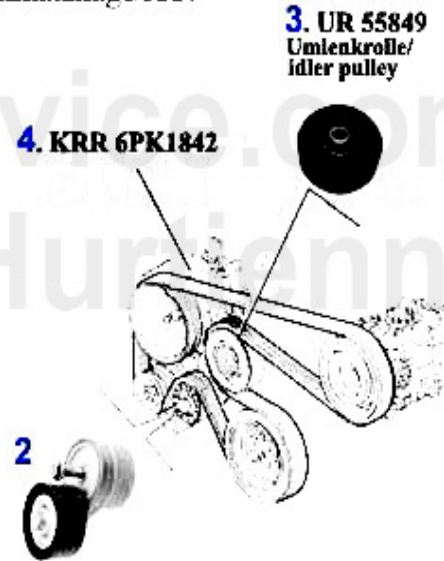
<b>1</b>	<b>STF36447</b>	<b>OE. 71736447 FRONTBUMPER Nuovo GT</b>	<b>Preis auf Anfrage</b>
<b>2</b>	<b>STF36449</b>	<b>OE. 71736449 FRONTBUMPER Nuovo GT</b>	<b>378.54 EUR</b>
<b>3</b>	<b>SP36444</b>	<b>OE. 71736444 SPOILER FL Nuovo GT</b>	<b>54.99 EUR</b>
<b>4</b>	<b>SP36443</b>	<b>OE. 71736443 SPOILER</b>	<b>Preis auf Anfrage</b>
<b>5</b>	<b>MZ81590</b>	<b>OE. 60681590 MAKE MEDALLION Nuovo GT STANDARD</b>	<b>53.29 EUR</b>
<b>6</b>	<b>MZ73274</b>	<b>OE. 156073274 ORNAMENT Nuovo GT BLACK LINE</b>	<b>45.01 EUR</b>
<b>9</b>	<b>STF36453</b>	<b>OE. 71736453 REAR BUMPER Nuovo GT</b>	<b>410.00 EUR</b>

# Keilriemen/V-Belt Nuovo GT 1.8 TS

ohne/without  
Klimaanlage/AC:



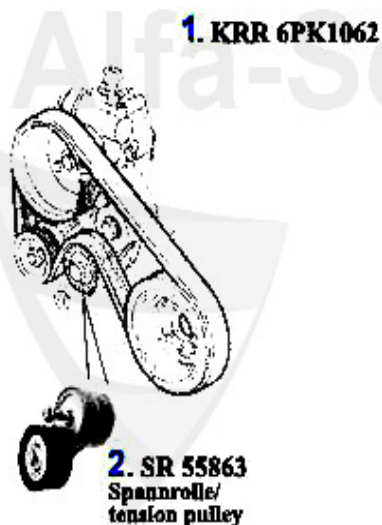
mit/with  
Klimaanlage/AC:



1	KRR6PK1020	Keilrippenriemen 6PK1020 147 TS (ohne Klima) Mot.# 2835	21.29 EUR
2	SPA55863	DRIVE BELT TENSIONER 145/6/7,155/6,166,916 2.0	45.51 EUR
3	UR55849	OE.60812515,REVERSE ROLLER FOR RIPPED V-BELT 145/6/7,15	34.00 EUR
4	KRR6PK1842	V-RIBBED BELT 6PK 1842 145/6 1,8 TS WITH A/C , 155 1,6	30.73 EUR

# Keilriemen/V-Belt Nuovo GT 2.0 JTS

ohne/without  
Klimaanlage/AC:

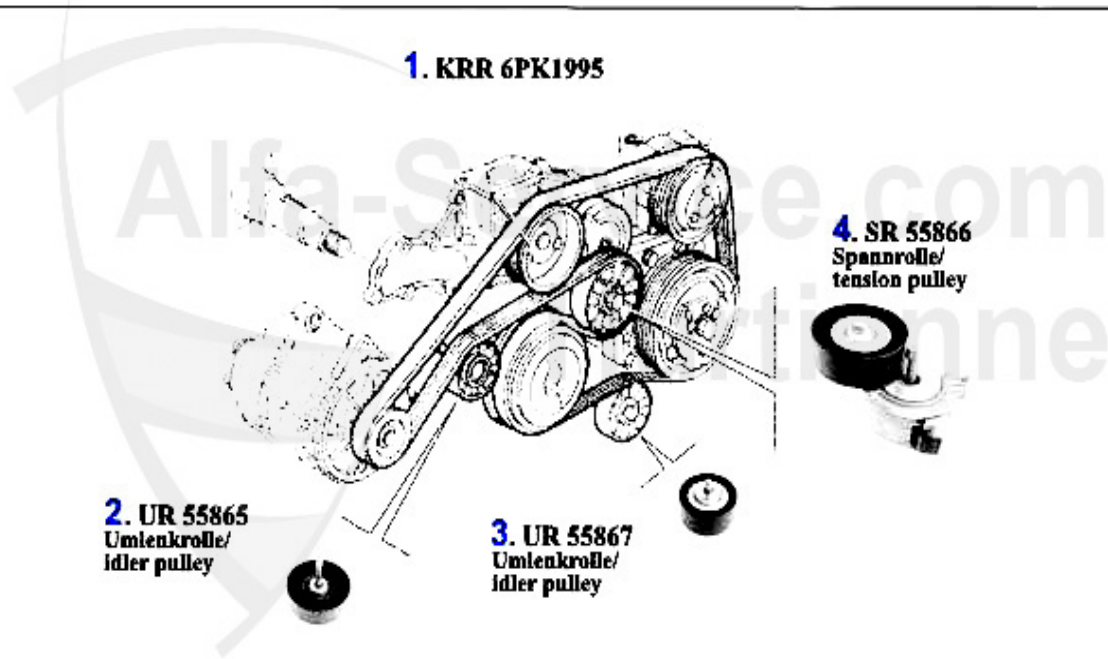


mit/with  
Klimaanlage/AC:



<b>1</b>	<b>KRR6PK1062</b>	Keilrippenriemen 6PK1062 147,156 2.0 16V TS CF 3 ohne	<b>22.50 EUR</b>
<b>2</b>	<b>SPA55863</b>	DRIVE BELT TENSIONER 145/6/7,155/6,166,916 2.0	<b>45.51 EUR</b>
<b>3</b>	<b>UR55848</b>	DRIVE BELT BEARING 156 2.0,145,166,916	<b>55.00 EUR</b>
<b>4</b>	<b>KRR6PK1960</b>	RIBBED BELT 6PK1960	<b>40.00 EUR</b>

## Keilriemen/V-Belt Nuovo GT 3.2 V6 24V



1	KRR6PK1995	V-BELT 6PK1995, OE.60626658, 147/156/ 166/GTV SPIDER (9	29.00 EUR
2	UR55865	IDLER PULLEY FOR DRIVE BELT 156,166,GTV/ SPIDER (916) V	42.70 EUR
3	UR55867	IDLER PULLEY FOR DRIVE BELT 156,166, GTV/SPIDER (916) V	55.00 EUR
4	SR55866	TENSIONER PULLEY FOR DRIVE BELT 156, 166 V6 24V/GTA	149.00 EUR

# Keilriemen/V-Belt Nuovo GT 1.9 JTD

ohne/without  
Klimaanlage/AC:



mit/with  
Klimaanlage/AC:



<b>1</b>	<b>KRR6PK1842</b>	V-RIBBED BELT 6PK 1842 145/6 1,8 TS WITH A/C , 155 1,6	<b>30.73 EUR</b>
<b>2</b>	<b>SPA55872</b>	Spannarm Keilrippenriemen 145/6/7, 156 1.9 JTD (81/85KW	<b>44.21 EUR</b>
<b>3</b>	<b>UR55847</b>	Umlenkrolle f. Keilrippenriemen 145 /6,147,156 1.9 JTD	<b>30.68 EUR</b>

# Kraftstoffpumpe/Fuel Pump Nuovo GT 1.8 TS

---

1. KP 6510



---

1 KP6510

OE. 60654919/60682368 FUEL PUMP 156, Nuovo GT 1.6/1.8/2

245.00 EUR

## Kraftstoffpumpe/Fuel Pump Nuovo GT 2.0 JTS

---

1. KP 6510



---

1 KP6510

OE. 60654919/60682368 FUEL PUMP 156, Nuovo GT 1.6/1.8/2

245.00 EUR

## Kraftstoffpumpe/Fuel Pump Nuovo GT 3.2/GTA

---

1. KP 6510



---

1 KP6510

OE. 60654919/60682368 FUEL PUMP 156, Nuovo GT 1.6/1.8/2

245.00 EUR

## Kraftstoffpumpe/Fuel Pump Nuovo GT 1.9 JTD

---

1. KP 6569



---

1 KP6569

OE. 60667034 FUEL PUMP 156 1.9/2.4 JTD 8/10V,16V/20V CF

220.55 EUR

## Dichtungen Motor/Gaskets Engine Nuovo GT 1.8 TS



1. VDD 5400

6. WD 43800  
30x43x8 mm



2. WD 08200  
30x42x7 mm  
Einlaßseite/intake side



7. WD 0800  
compl.

3. WD 55300  
55x68x8 mm  
Auslaßseite/exhaust side



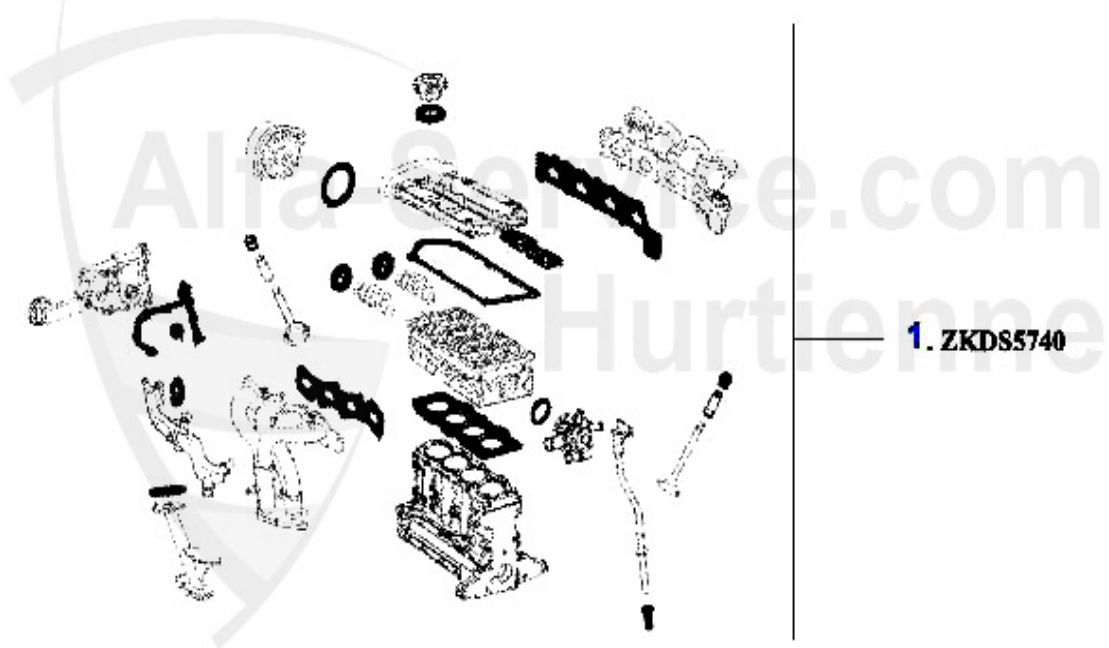
4. ASKD 59747



5. AGKD 02761

1	VDD5400	CAM COVER GASKET FOR PLASTIC COVER 145/6 , 156 GTV/ SPI	33.50 EUR
2	WD08200	CAMSHAFT 145/6,155,156,GTV/SPIDER (916), 166 VARIOUS 96	15.51 EUR
3	WD55300	CAMSHAFT OIL SEAL 145/6,155,156 1.6,1.7, 1.8,2.0 16V TS	17.90 EUR
4	ASKD59747	INTAKE MANIFOLD GASKET 145/6,147,155, 156,166,GTV/SPIDE	25.13 EUR
5	AGKD02761	EXHAUST MANIFOLD GASKET 145/6,147,155, 156,166,GTV/SPID	24.00 EUR
6	WD43800	Siri Kurbelwelle vorne (Riemensch.) 145/6 1.9 TD Bj. 94	9.75 EUR
7	WD0800	OIL SEAL CRANKSHAFT REAR (FLYWHEEL) 147 1.6 TS 16V/1.9	47.50 EUR

# Kopfdichtsatz/Head Set Nuovo GT 1.8 TS



1 ZKDS5740

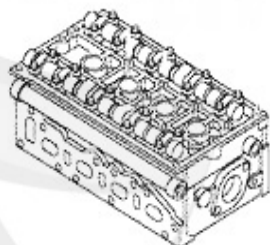
OE. 71717685 HEAD SET 147,156,Nuovo GT 1.8/2.0 TS CF3

189.00 EUR

Kopfschraubensatz/Head Screw Set Nuovo GT 1.8 TS

---

1. ZKSS 152080

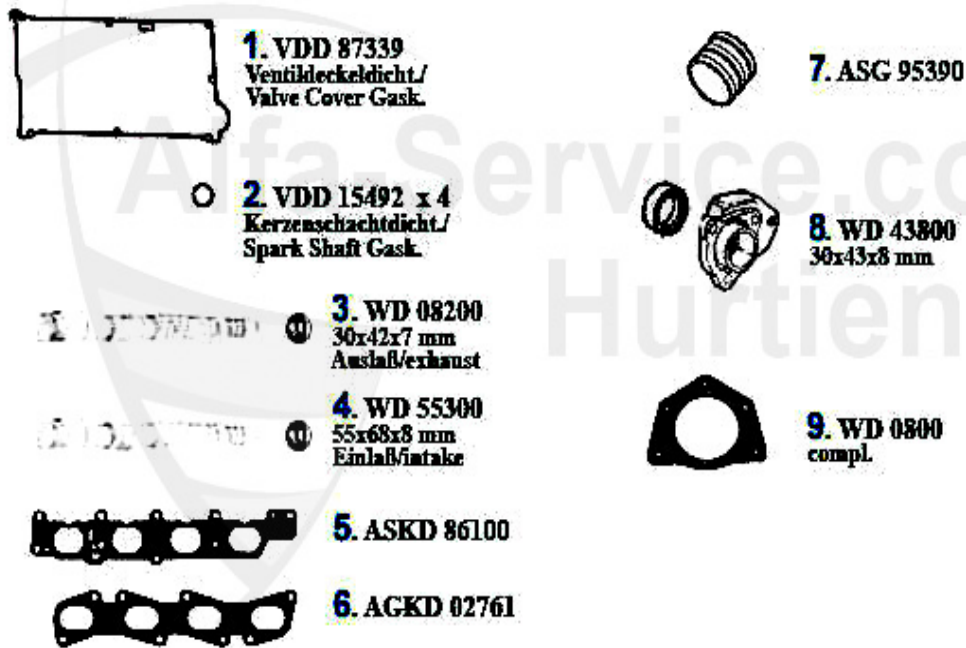


---

1 ZKSS152080 HEAD SCREW SET 145/6,147,155,156,166, GTV/SPIDER(916),N

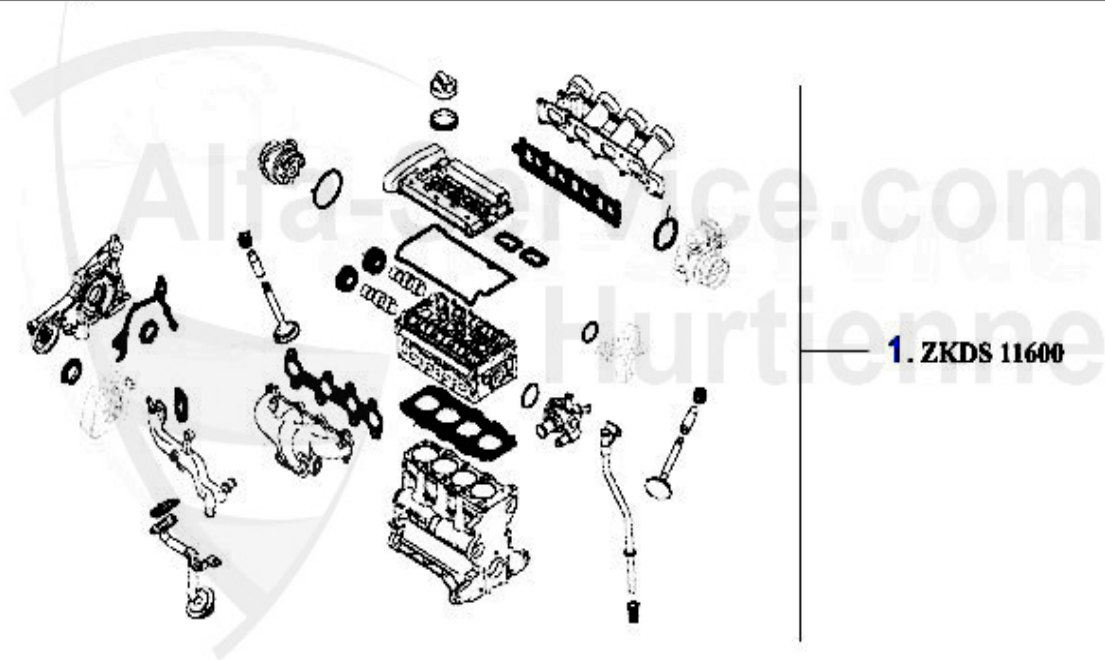
69.00 EUR

## Dichtungen Motor/Gaskets Engine Nuovo GT 2.0 JTS



1	VDD87339	VALVE COVER SEAL 2.0 JTS 156,GTV/SPIDER (916),NUOVO GT	35.00 EUR
2	VDD15492	Kerzenschachtdichtung TS 16V	3.69 EUR
3	WD08200	CAMSHAFT 145/6,155,156,GTV/SPIDER (916), 166 VARIOUS 96	15.51 EUR
4	WD55300	CAMSHAFT OIL SEAL 145/6,155,156 1.6,1.7, 1.8,2.0 16V TS	17.90 EUR
5	ASKD86100	Ansaugkrümmerdichtung 156,gtv / spider (916), Nuovo GT	57.49 EUR
6	AGKD02761	EXHAUST MANIFOLD GASKET 145/6,147,155, 156,166,GTV/SPID	24.00 EUR
8	WD43800	Siri Kurbelwelle vorne (Riemensch.) 145/6 1.9 TD Bj. 94	9.75 EUR
9	WD0800	OIL SEAL CRANKSHAFT REAR (FLYWHEEL) 147 1.6 TS 16V/1.9	47.50 EUR

# Kopfdichtsatz/Head Set Nuovo GT 2.0 JTS

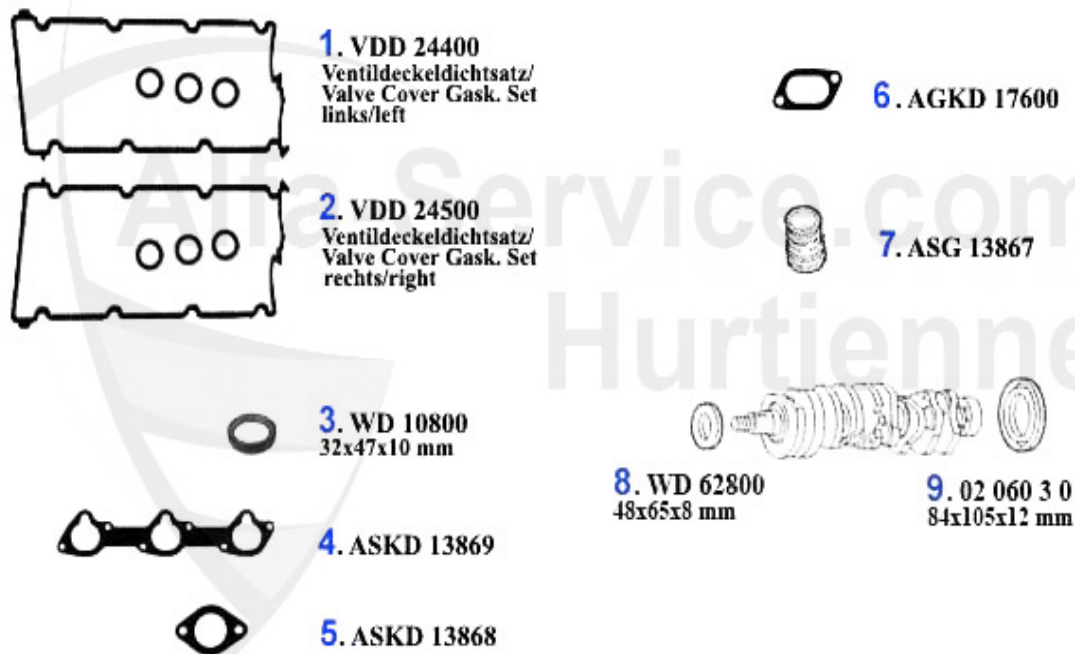


1 ZKDS11600

HEAD GASKET SET 156,GTV/SPIDER (916) NUOVO GT 2.0 JTS

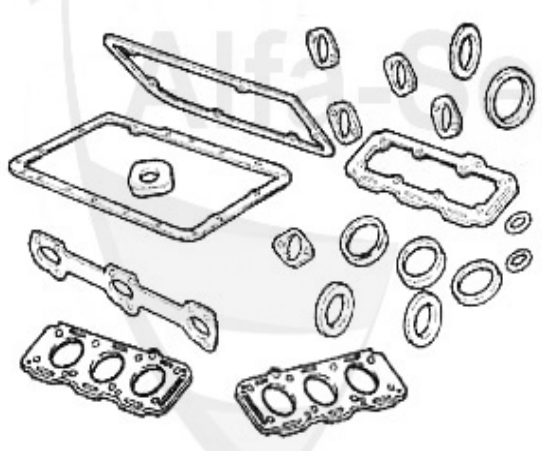
179.00 EUR

Dichtungen Motor/Gaskets Engine Nouvo GT 3.2 V6 24V/GTA



1	VDD24400	RIGHT CAM COVER GASKET 147,156,166,166, GTV/SPIDER (916	42.49 EUR
2	VDD24500	LEFT CAM COVER GASKET 147,156,166, GTV/SPIDER (916),NUO	42.49 EUR
3	WD10800	SEAL FOR CAMSHAFT 156 2.5V V6.164/Super, 166 3.0 V6 GTV	7.90 EUR
4	ASKD13869	INTAKE MANIFOLD GASKET 147,156,164/ SUPER,166,GTV/SPIDE	7.15 EUR
5	ASKD13868	OE. 60513868 Sealing Gasket	5.90 EUR
6	AGKD17600	Abgaskrümmerdichtung 156,164/Super, 166,gtv/spider (916	9.50 EUR
7	ASG13867	INTAKE SLEEVE 164 #60513867	38.90 EUR
8	WD62800	OIL SEAL CRANKSHAFT FRONT (PULLEY) 156, 166 V6	16.51 EUR
9	02 060 3 0	OIL SEAL CORTECO (84/105/12) CRANKSHAFT REAR for Spider	35.50 EUR
9	02 060 3 5	OIL SEAL (84/105/12) CRANKSHAFT REAR Spider 1990-93, 75	44.90 EUR

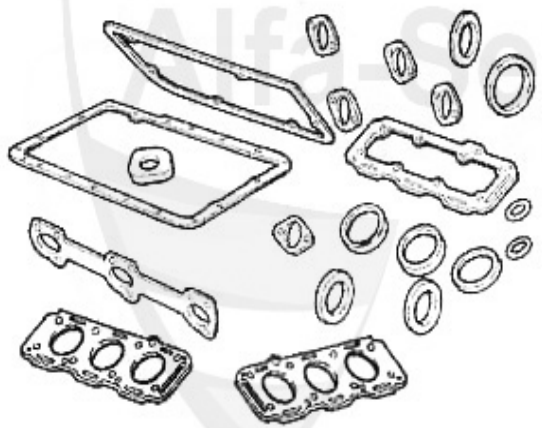
# Kopfsatz/Head Set Nuovo GT 3.2 V6 24V/GTA



1. ZKDS 61000

1	ZKDS61000	HEAD GASKET SET 147,156,166,GTV/SPIDER (916),NUOVO GT V	279.00 EUR
---	-----------	---	------------

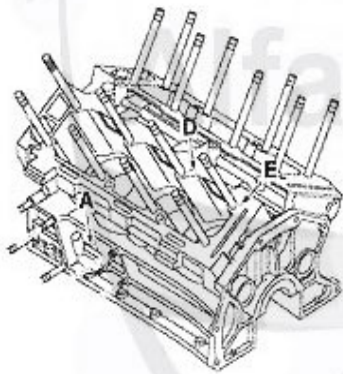
Motordichtsatz/Full Set Nuovo GT 3.2 V6 24V/GTA



1. MDS 74200

1	MDS74200	OE.71713724 FULL SET 147,156,166, GTV/SPIDER(916),NOUVO	399.00 EUR
---	----------	---	------------

Kopfschraubensatz/Head Screw Set Nuovo GT 3.2 V6 24V/GTA



1. ZKSS 8200

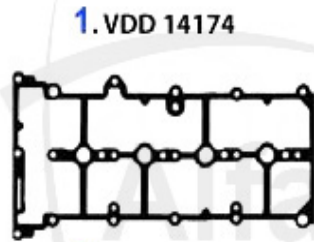


1 ZKSS8200

STUD-SET CYLINDER HEAD # 605 13 756 8 Pcs.

115.00 EUR

## Dichtungen Motor/Gaskets Engine Nuovo GT 1.9 JTD



2. WD 02577  
30x45x7 mm  
f. Nockenwelle/f. camshaft  
Auslaßseite/exhaust side



3. AGKD02761  
Abgasseite/  
exhaustside



4. ASKD 86000  
Ansaugseite/  
intakeside

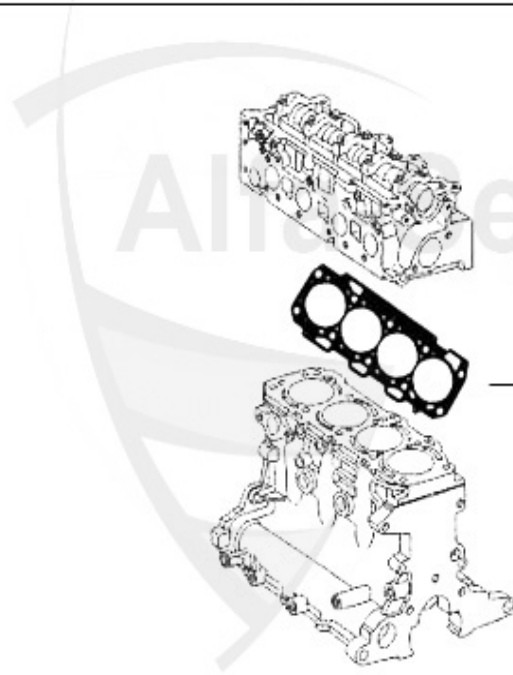


5. WD 0800  
Kubewelle hinten/  
crank shaft rear



1	VDD14174	Ventildeckeldichtung 147,156,Nuovo GT 1.9 JTD 16V	21.03 EUR
2	WD02577	CRANKSHAFT OIL SEAL 147,156,166,NUOVO GT 1.9/2.4 JTD 16	5.90 EUR
3	AGKD02761	EXHAUST MANIFOLD GASKET 145/6,147,155, 156,166,GTV/SPID	24.00 EUR
4	ASKD86000	Ansaugkr	20.99 EUR
5	WD0800	OIL SEAL CRANKSHAFT REAR (FLYWHEEL) 147 1.6 TS 16V/1.9	47.50 EUR

## Kopfdichtung/Head Gasket Nuovo GT 1.9 JTD 16V



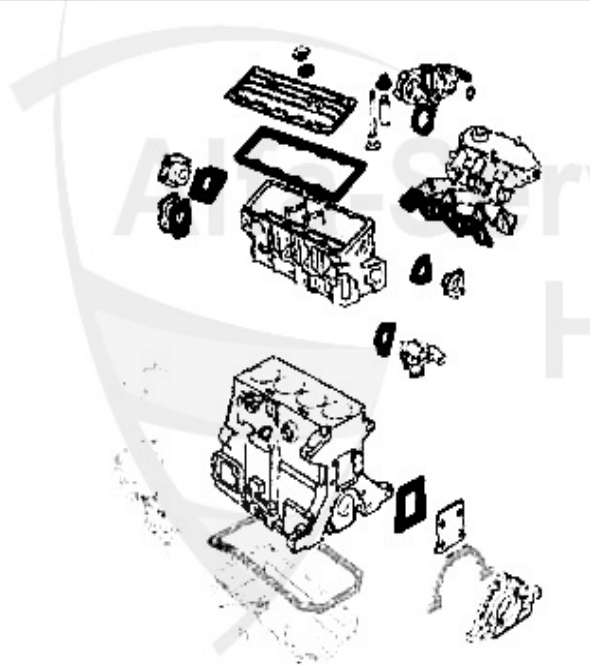
### Achtung/Attention:

Beim Bestellen der Kopfdichtung bitte auf die entsprechende Markierung achten!  
 Before you order the headgasket, please note the marking!

- 1. ZKDS 52500  
0.82 mm
- 2. ZKDS 52510  
0.92 mm
- 3. ZKDS 52520  
1.02 mm

9	20 104 0 0	PAD FOR WINDOW CRANK	2.80 EUR
9	ZKD52500	Kopfdichtung 147,156,Nuovo GT 1.9 JTD 16V ACHTUNG: auf	62.00 EUR
14	ZKD52510	Kopfdichtung 147,156,Nuovo GT 1.9 JTD 16V ACHTUNG: auf	60.52 EUR
14	19 037 0 0	Dooropener Set GTA	289.00 EUR

## Kopfdichtsatz/Head Set Nuovo GT 1.9 JTD



### **Achtung/Attention:**

**Ohne Kopfdichtung, Kopfdichtung  
bitte separat bestellen!  
Without Headgasket, please order it  
separate!**

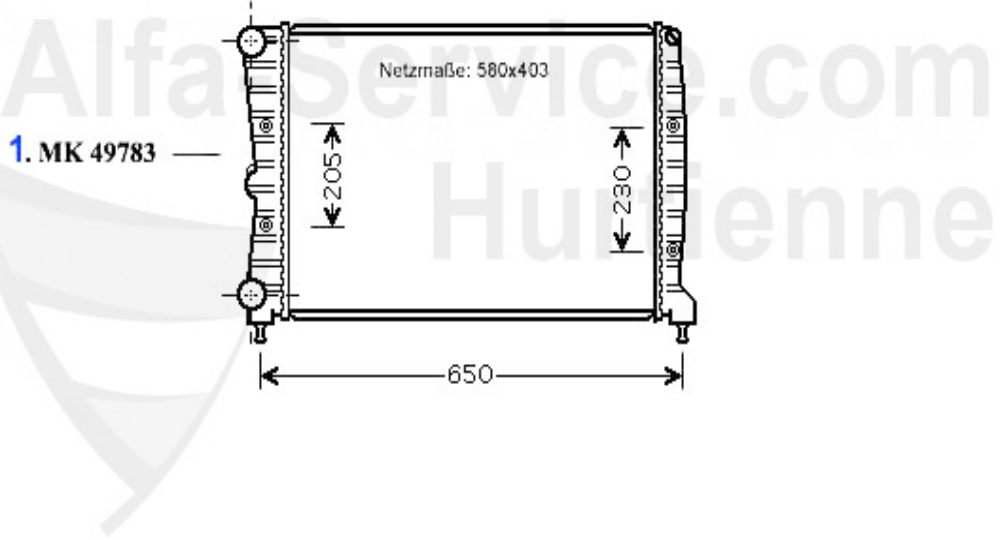
**1. ZKDS 16700**

**1 ZKDS16700**

**HEAD GASKET SET (WITHOUT HEAD GASKET) 147,156,NUOVO GT**

**122.08 EUR**

# Kühler/Radiator Nuovo GT 1.8 TS



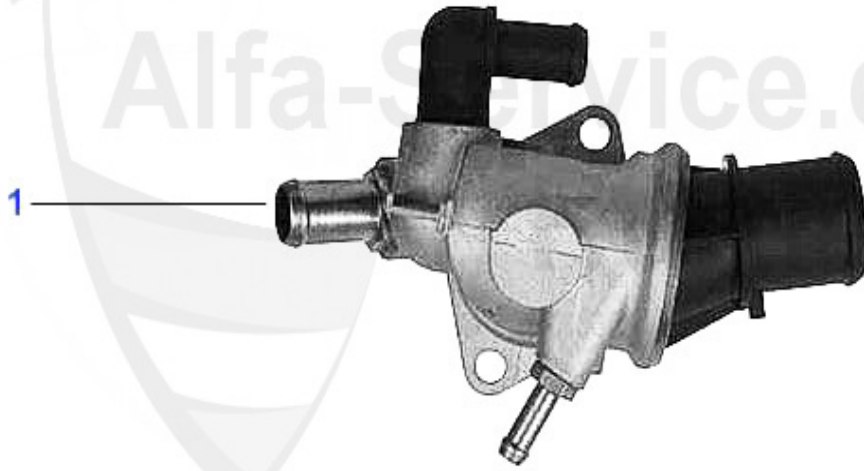
1 MK49783

OE. 46849783 RADIATOR Nuovo GT 1.8/2.0 TS/JTS

164.14 EUR

## Thermostat Nuovo GT 1.8 TS

---



1 TH650688

OE.60653946,THERMOSTAT WITH HOUSING 1.6/1.8/2.0 IE TS Y

69.00 EUR

## Wasserpumpe/Waterpump Nuovo GT 1.8 TS

---



1. WP 00410

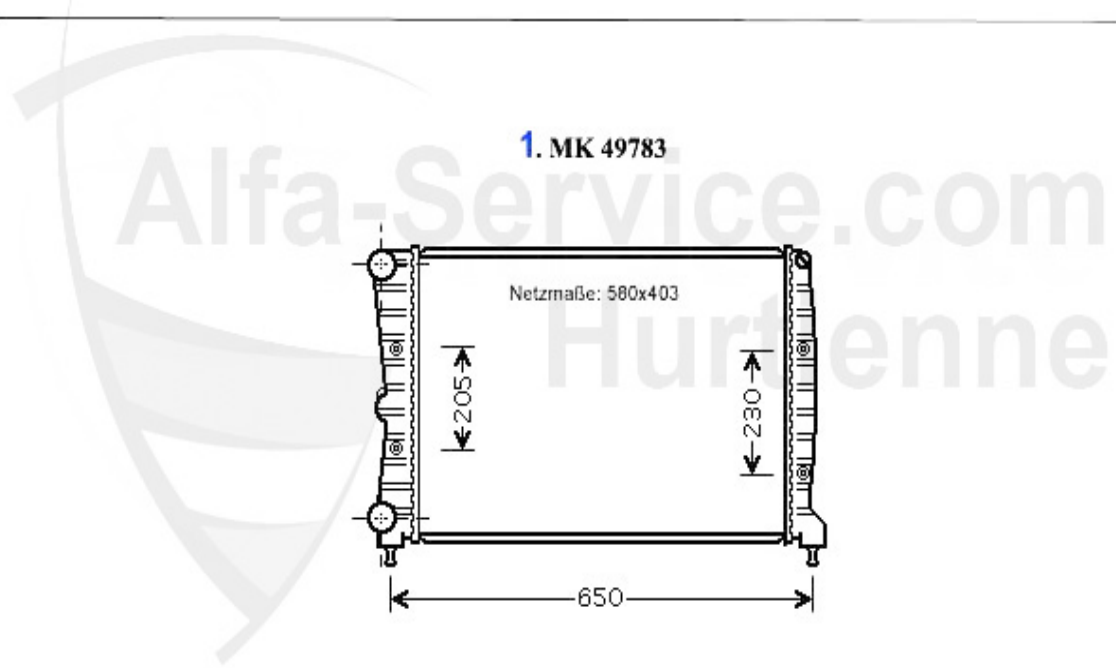
---

1 WP00410

WATER PUMP 145/6 1.6 IE 16V TS,155/6 1.6/1.8 IE 16V TS,

65.00 EUR

# Kühler/Radiator Nuovo GT 2.0 JTS



1 MK49783

OE. 46849783 RADIATOR Nuovo GT 1.8/2.0 TS/JTS

164.14 EUR

# Termostato Nuovo GT 2.0 JTS

---

1. TH 76067



---

1 TH76067

OE. 60676067 THERMOSTAT 156,gtv/spider (916),Nuovo GT 2

56.50 EUR

## Wasserpumpe/Waterpump Nuovo GT 2.0 JTS

---

1. WP 00310



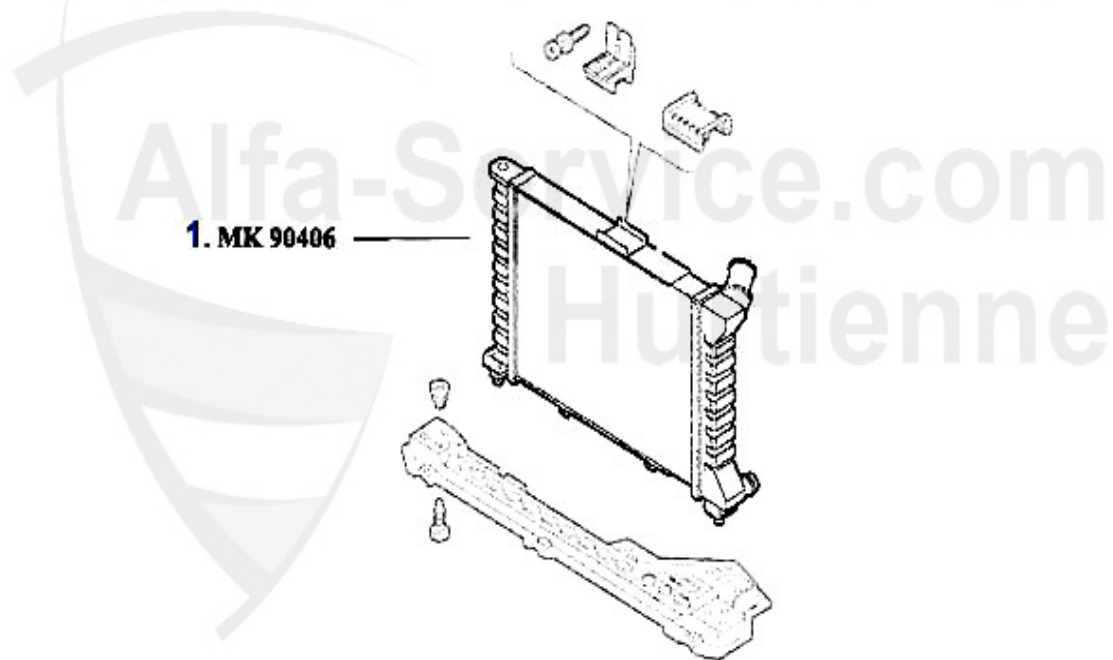
---

1 WP00310

OE. 60586222 WATER PUMP TS 16V

72.49 EUR

# Kühler/Radiator Nuovo GT 3.2/GTA



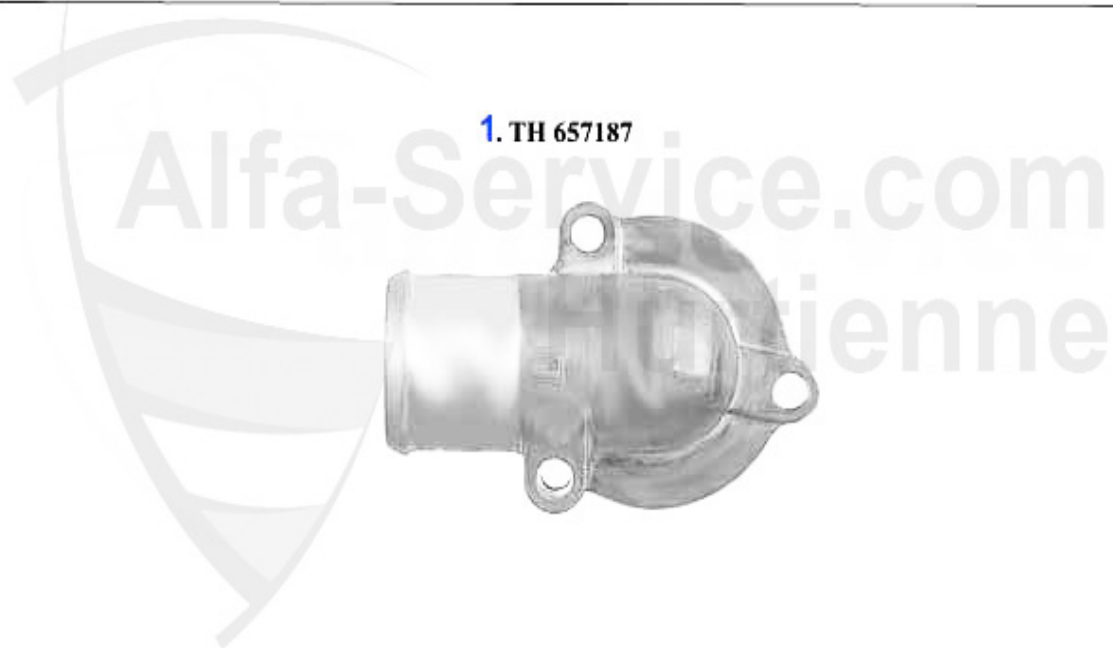
1 MK90406

OE. 60690406 RADIATOR 147 3.2 V6 24V/GTA

252.40 EUR

## Thermostat Nuovo GT 3.2/GTA

---



1. TH 657187

---

1 TH657187

THERMOSTAT 155,156,166,GTV,SPIDER (916) 6 CYL. (WITH HO

59.00 EUR

## Wasserpumpe/Waterpump Nuovo GT 3.2/GTA

---

1. WP 81355

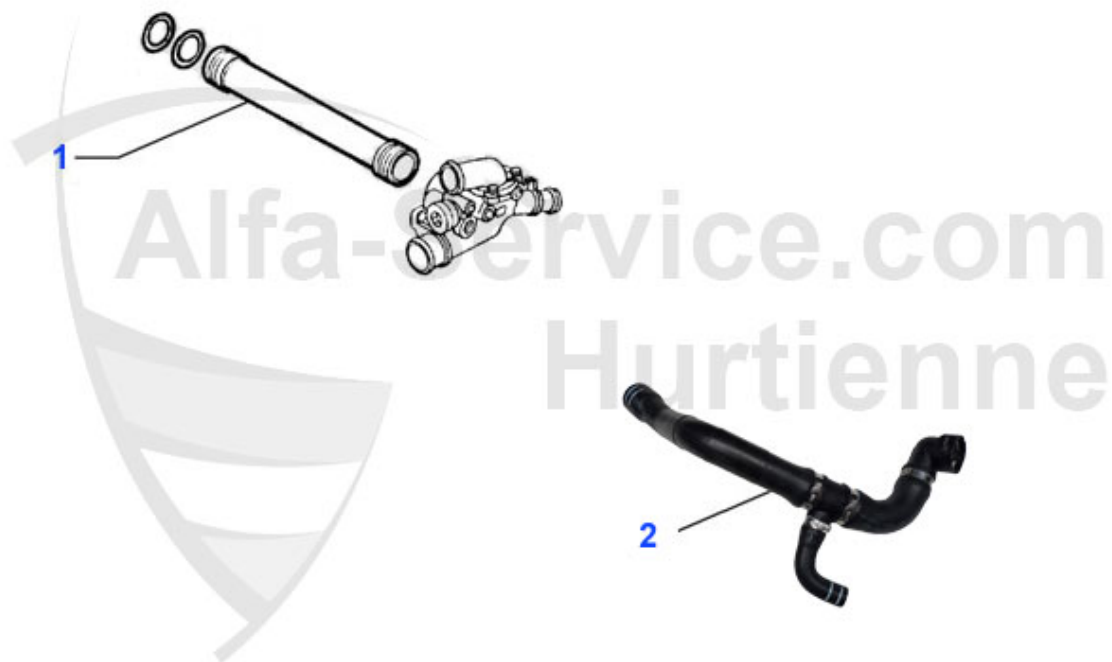


---

1 WP81355

OE. 60816018 WATER PUMP V6 24V

158.00 EUR

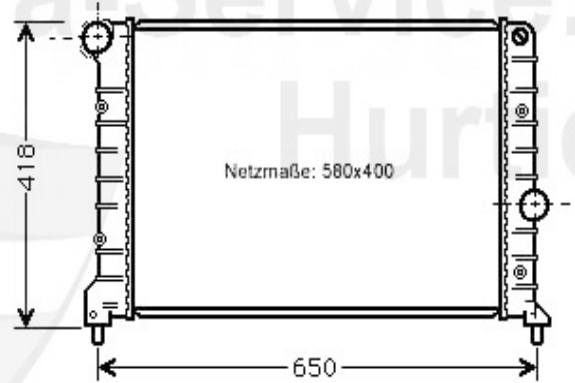


2 KWS89794 LOWER HEATER HOSE 3.2 GTA 147/156/GT (00-10)

Preis auf Anfrage

# Kühler/Radiator Nuovo GT 1.9 JTD

1. MK 42843



1 MK42843

OE. 46842843 RADIATOR 147 JTD 8/16V SYSTEM: DENSO

163.11 EUR

## Thermostat Nuovo GT 1.9 JTD

---

1. TH 89845



---

1 TH89845

OE. 55189845 THERMOSTAT 147,Nuovo GT 1.9 JTD 16V

104.90 EUR

## Wasserpumpe/Waterpump Nuovo GT 1.9 JTD

---

1. WP 04051



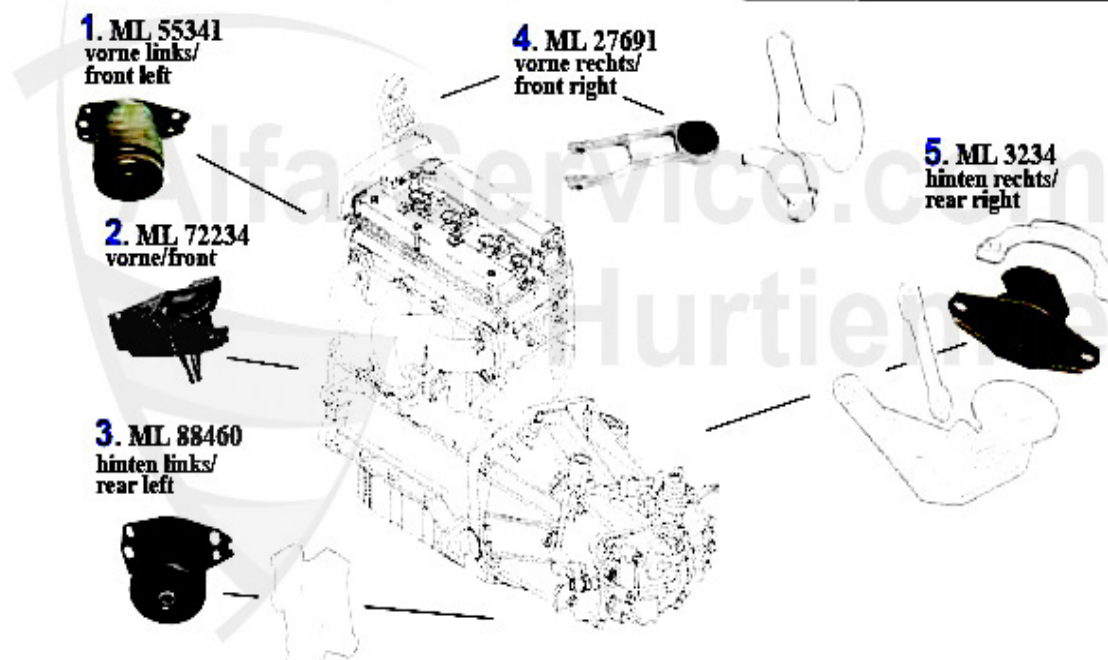
---

1 WP04051

OE. 46804051 WATER PUMP 1.9/2.4 16/20 V

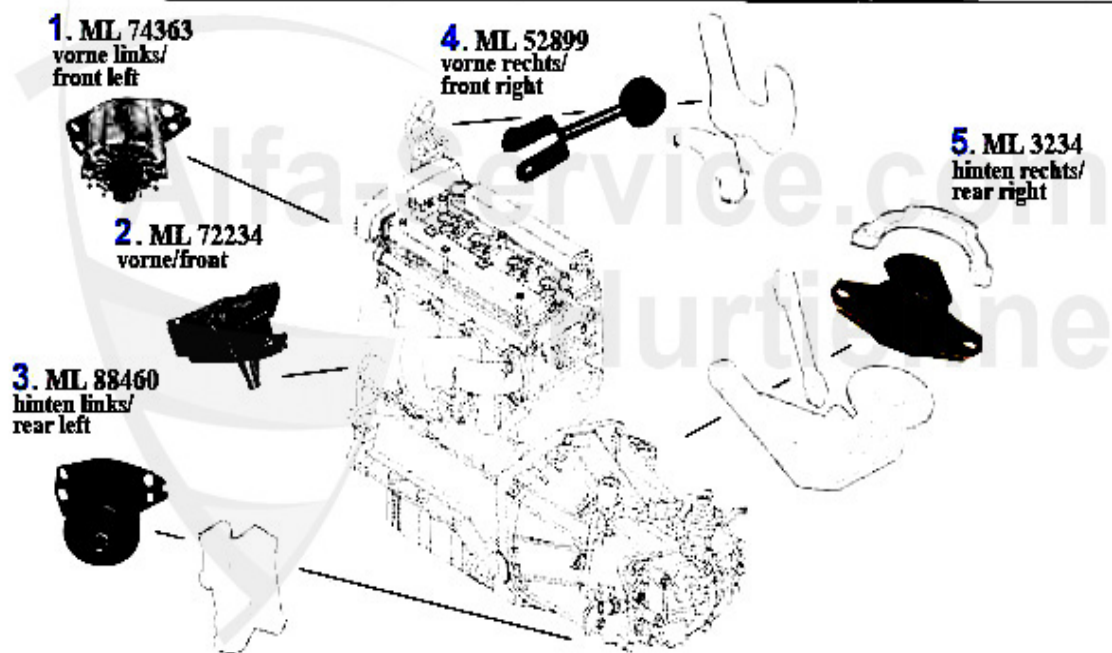
72.33 EUR

## Motorlager/Enginemount Nuovo GT 1.8 TS



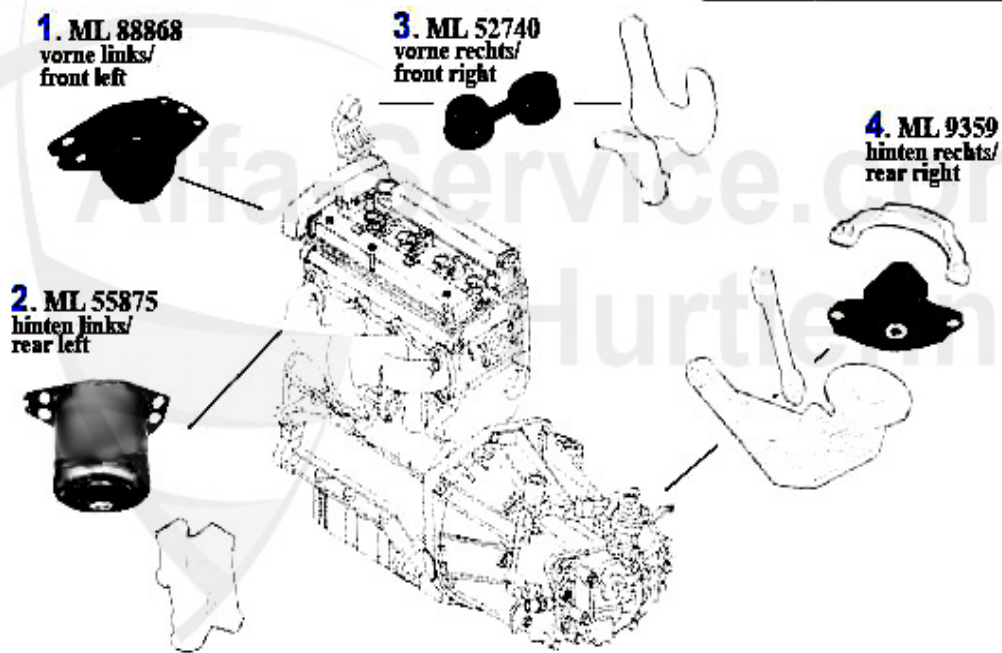
2	ML72234	OE. 60672234 ENGINEMOUNT FR. 156 2002>, gtv/spider (916)	92.50 EUR
3	ML88460	ENGINE MOUNT 145/6,147 (74KW),155,156, GTV/SPIDER (916)	99.00 EUR
4	ML27691	OE. 60627691 ENGINEMOUNT RR 145/6,155, 156,gtv/spider (	35.81 EUR
5	ML3234	OE. 7652240/60808861 ENGINE MOUNT	79.50 EUR

## Motorlager/Enginemount Nuovo GT 2.0 JTS



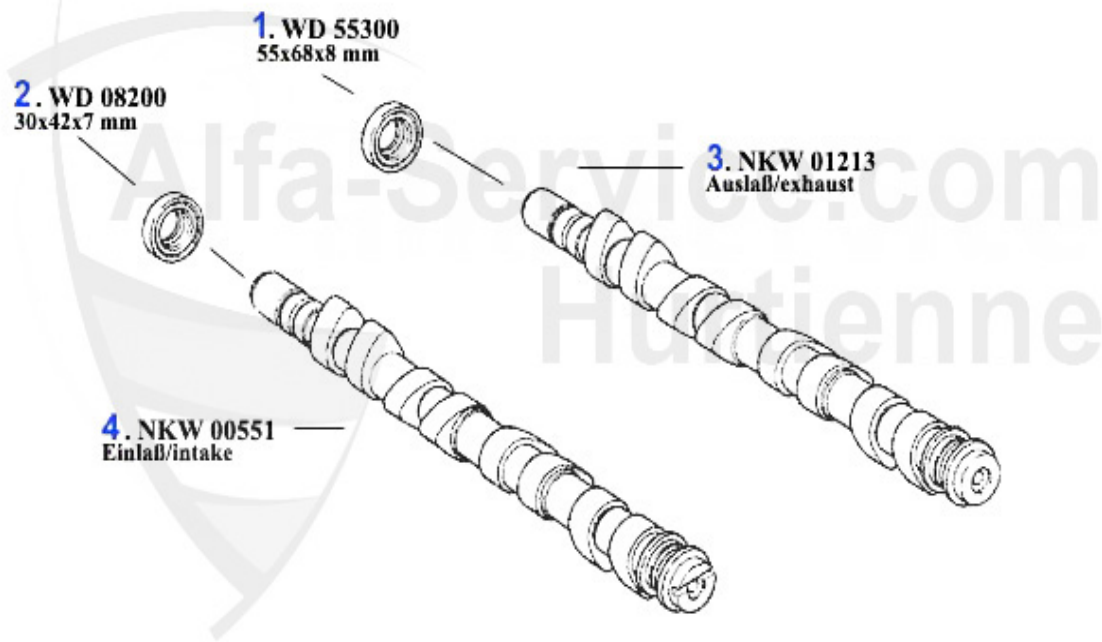
1	ML74363	OE. 60674363 ENGINE MOUNT FL 147,156/SW, Nuovo GT 2.0 T	239.00 EUR
2	ML72234	OE. 60672234 ENGINEMOUNT FR. 156 2002>, gtv/spider (916	92.50 EUR
3	ML88460	ENGINE MOUNT 145/6,147 (74KW),155,156, GTV/SPIDER (916)	99.00 EUR
4	ML64349	OE. 60664349 ENGINE ROD 147,156/SW,Nuovo GT 2.0 TS/JTS	88.50 EUR
5	ML3234	OE. 7652240/60808861 ENGINE MOUNT	79.50 EUR

## Motorlager/Enginemount Nuovo GT 3.2/GTA



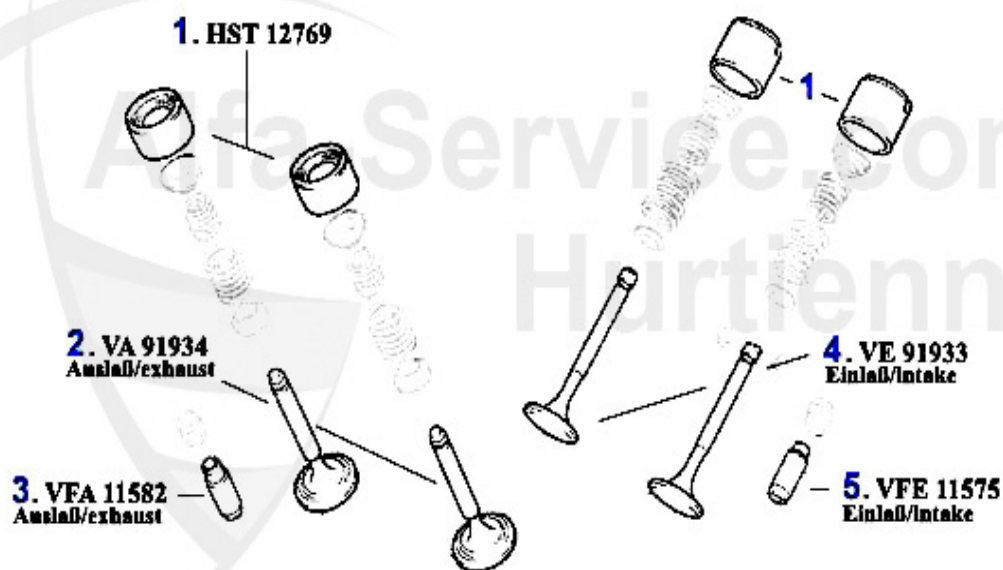
<b>3</b>	<b>ML52740</b>	<b>OE. 60652740 ENGINE MOUNT 147,156,Nuovo GT V6 24V/GTA</b>	<b>104.99 EUR</b>
<b>4</b>	<b>ML9359</b>	<b>OE.7644686 ENGINE MOUNT REAR 147, 155, 156</b>	<b>55.81 EUR</b>

## Nockenwelle/Camshaft Nuovo GT 1.8 TS 16V



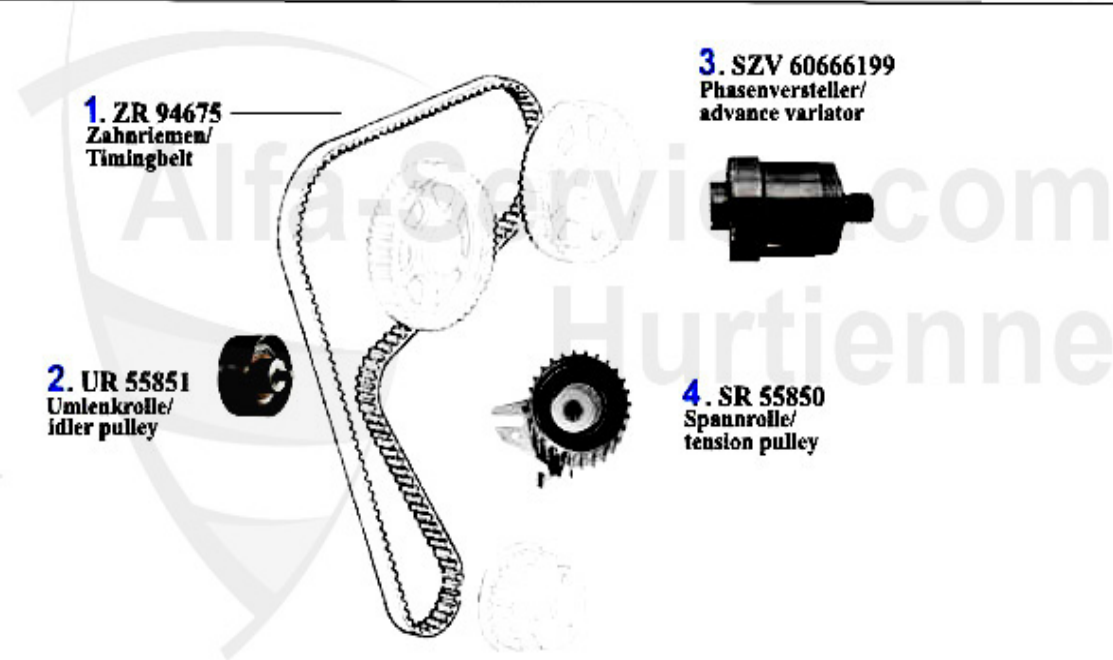
1	WD55300	CAMSHAFT OIL SEAL 145/6,155,156 1.6,1.7, 1.8,2.0 16V TS	17.90 EUR
2	WD08200	CAMSHAFT 145/6,155,156,GTV/SPIDER (916), 166 VARIOUS 96	15.51 EUR
3	NKW01213	OE. 60601213 CAMSHAFT	419.00 EUR
4	NKW00551	OE. 60600551 CAMSHAFT	Preis auf Anfrage

## Ventiltrieb/Valve Train Nuovo GT 1.8 TS



1	HST12769	HYDRAULIC VALVE LIFTER 145/6,147,155 156,166,GTV/SPIDER	6.50 EUR
2	VA91934	EXHAUST VALVE 145/6,155,156,SPIDER/GTV (916) 1.6/1.8/2.	18.05 EUR
3	VFA11582	Ventilführung Auslaß + 0.05 TS 16V	21.03 EUR
4	VE91933	INLET VALVE 145/6,155,156,SPIDER/GTV (916) 1.6/1.8/2.0	15.28 EUR
5	VFE11575	Ventilführung Einlaß +0.05 TS 16V	21.03 EUR

# Zahnriemen/Timingbelt Nuovo GT 1.8 TS



**1. ZR 94675**  
Zahnriemen/  
Timingbelt

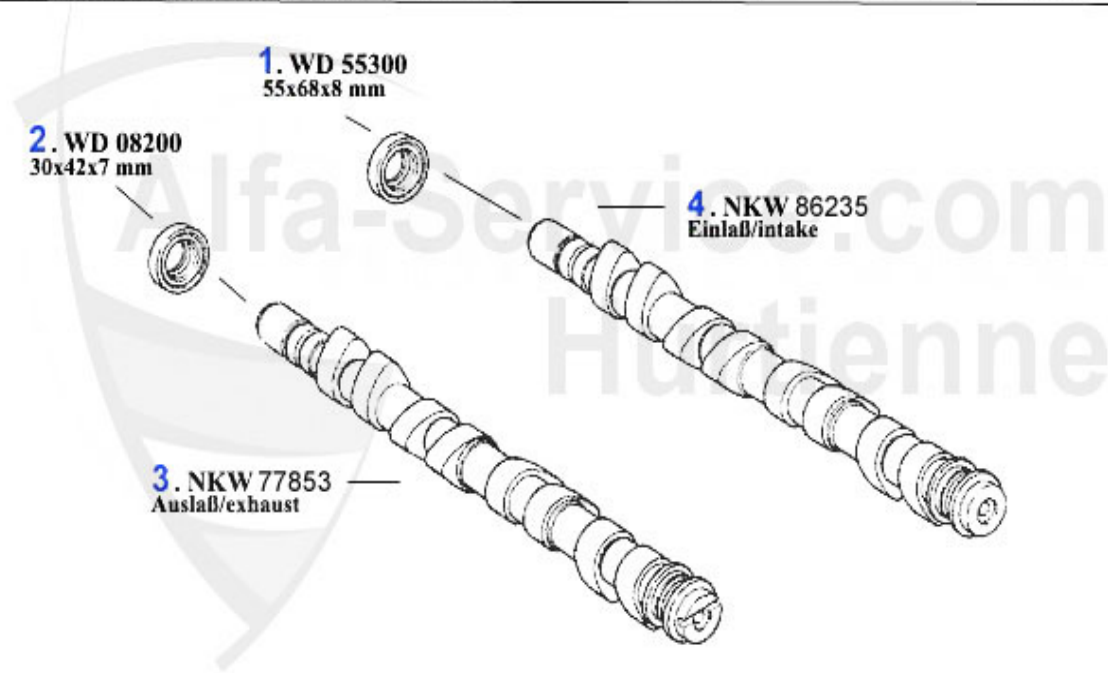
**2. UR 55851**  
Umlenkrolle/  
idler pulley

**3. SZV 60666199**  
Phasenversteller/  
advance variator

**4. SR 55850**  
Spannrolle/  
tension pulley

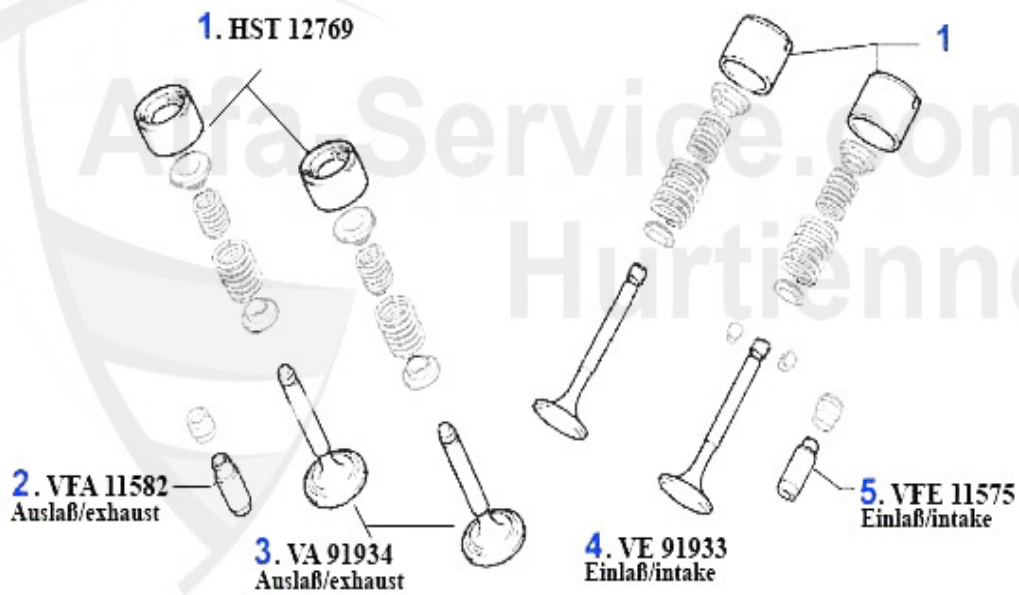
<b>1</b>	<b>ZR94675</b>	Zahnriemen 166SHPN240H 145/6,155/6 4-Zylinder(Mot.CF2/3)	<b>42.58 EUR</b>
<b>2</b>	<b>UR55851</b>	OE. 60671573 DEFLECTION PULLEY 1.8 TS 16V 145/6, 147, 1	<b>32.50 EUR</b>
<b>3</b>	<b>SZV60666199</b>	ORIGINAL ADVANCE VARIATOR TS 16V FOR 145/6,155,156,164,	<b>Preis auf Anfrage</b>
<b>4</b>	<b>SR55850</b>	Spannrolle Zahnriemen 145/6 1.4 ie 16V TS,155/6 1.6 ie	<b>36.00 EUR</b>

# Nockenwelle/Camshaft Nuovo GT 2.0 JTS



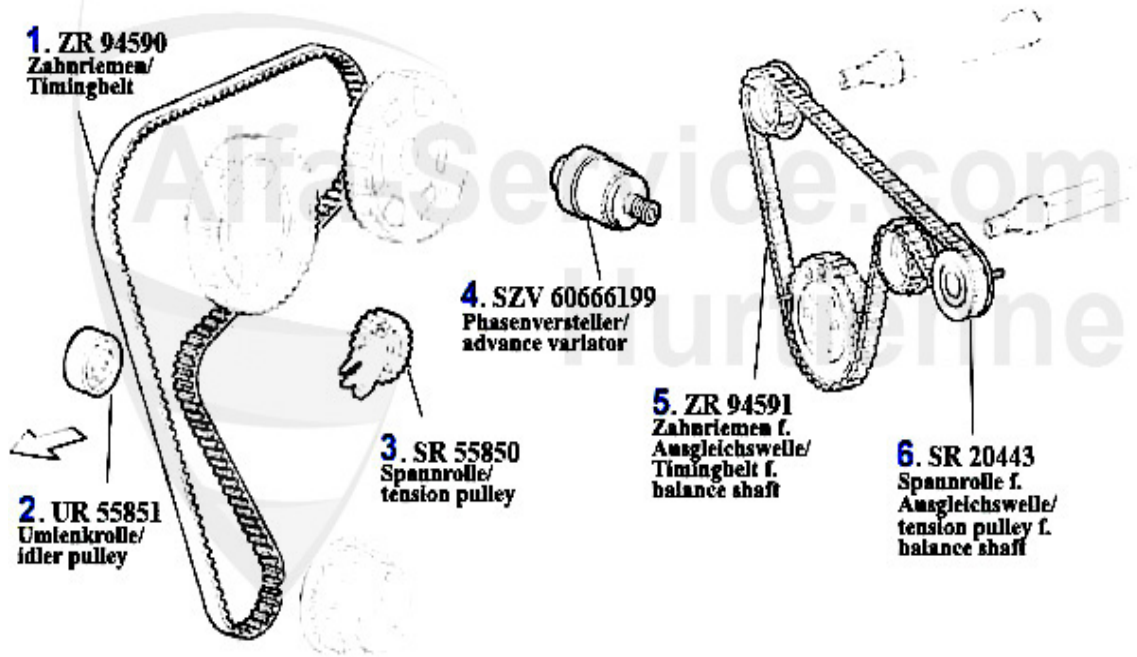
1	WD55300	CAMSHAFT OIL SEAL 145/6,155,156 1.6,1.7, 1.8,2.0 16V TS	17.90 EUR
2	WD08200	CAMSHAFT 145/6,155,156,GTV/SPIDER (916), 166 VARIOUS 96	15.51 EUR
3	NKW77853	OE. 60677853 CAMSHAFT EXHAUST 2.0 JTS	509.00 EUR
4	NKW86235	OE. 55186235 CAMSHAFT INTAKE 2.0 JTS	549.99 EUR

## Ventiltrieb/Valve Train Nuovo GT 2.0 JTS



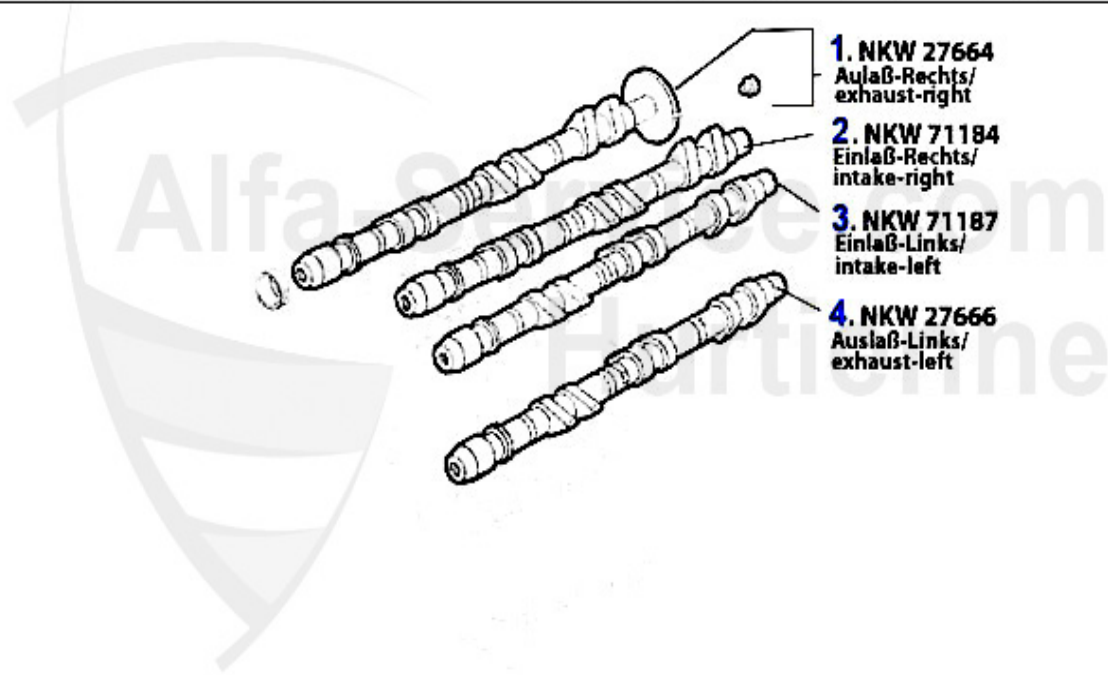
<b>1</b>	<b>HST12769</b>	<b>HYDRAULIC VALVE LIFTER 145/6,147,155 156,166,GTV/SPIDER</b>	<b>6.50 EUR</b>
<b>2</b>	<b>VFA11582</b>	<b>Ventilführung Auslaß + 0.05 TS 16V</b>	<b>21.03 EUR</b>
<b>3</b>	<b>VA91934</b>	<b>EXHAUST VALVE 145/6,155,156,SPIDER/GTV (916) 1.6/1.8/2.</b>	<b>18.05 EUR</b>
<b>4</b>	<b>VE91933</b>	<b>INLET VALVE 145/6,155,156,SPIDER/GTV (916) 1.6/1.8/2.0</b>	<b>15.28 EUR</b>
<b>5</b>	<b>VFE11575</b>	<b>Ventilführung Einlaß +0.05 TS 16V</b>	<b>21.03 EUR</b>

# Zahnriemen/Timingbelt Nuovo GT 2.0 JTS



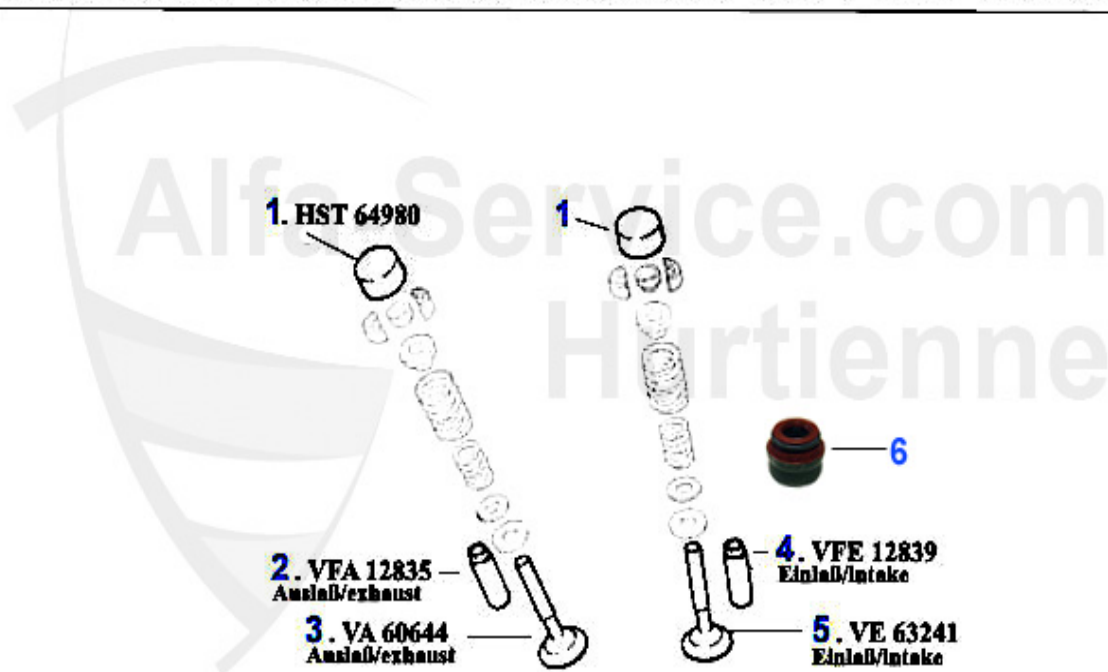
1	ZR94590	OE.60814319 TIMING BELT 168SHPN240H 145/6 1.8/2.0 IE/16	49.50 EUR
2	UR55851	OE. 60671573 DEFLECTION PULLEY 1.8 TS 16V 145/6, 147, 1	32.50 EUR
3	SR55850	Spannrolle Zahnriemen 145/6 1.4 ie 16V TS,155/6 1.6 ie	36.00 EUR
4	SZV60666199	ORIGINAL ADVANCE VARIATOR TS 16V FOR 145/6,155,156,164,	Preis auf Anfrage
5	ZR94591	Zahnriemen 130SLDD150H 145/6,155/6 2.0 16V TS Ausgleich	66.00 EUR
6	SR20443	Spannrolle für Ausgleichswelle 2.0 TS gtv/spider (916)	39.50 EUR

## Nockenwelle/Camshaft Nuovo GT 3.2 V6 24V/GTA



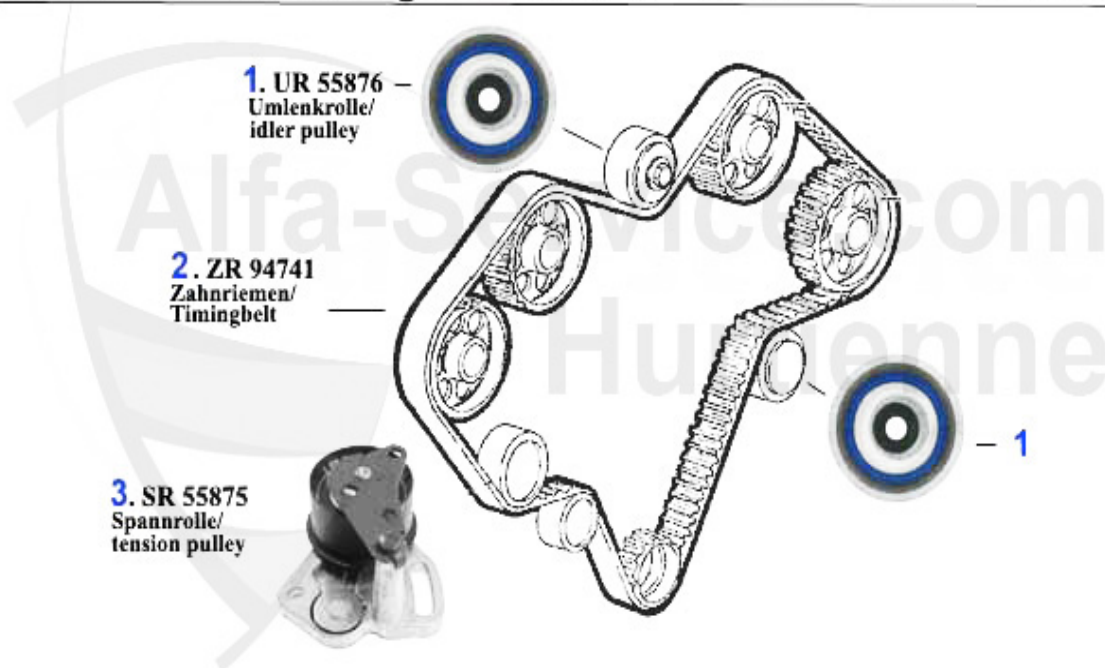
1	NKW27664	Nockenwelle rechts (Auslaß) 156,166 2.5 V6 24V,gtv/spid	416.74 EUR
2	NKW71184	OE. 60671184 Camshaft R Intake 3.2 V6 24V	630.70 EUR
3	NKW71187	OE. 60671187 Camshaft R Intake 3.2 V6 24V	630.70 EUR
4	NKW27666	Nockenwelle links (Auslaß) 156,166 2.5 V6 24V,gtv/spide	416.74 EUR

## Ventiltrieb/Valve Train Nuovo GT 3.2 V6 24V/GTA



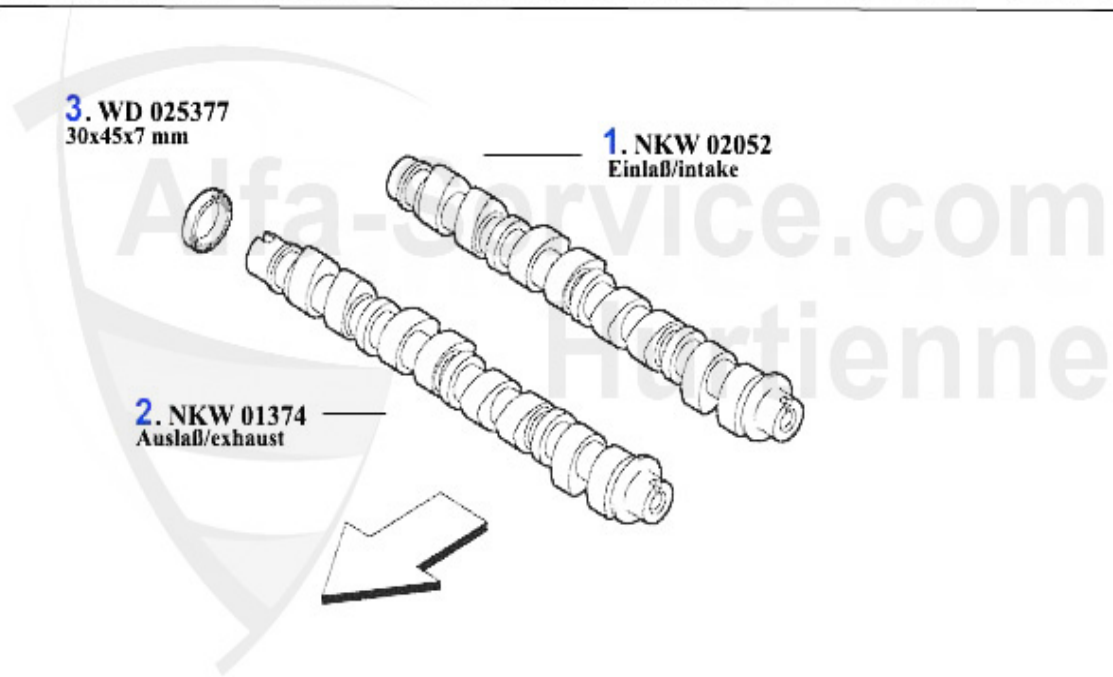
1	HST64980	VALVE TAPPET 33(907), 1.7 16V AR156 2.5 24V	31.50 EUR
2	VFA12835	Ventilführung Auslaß 147,156,164/ Super,gtv/spider (916	32.50 EUR
3	VA60644	Exhaust Valve 3.0 V6 24V/3.2 GTA 147, 156	29.50 EUR
4	VFE12839	Ventilführung Einlaß 147,156,164/ Super,gtv/spider (916	32.50 EUR
5	VE63241	VALVE INTAKE 6-CYLINDER 116 3.0 L	29.00 EUR
6	VSD3357	VALVE STEM SEAL 2.5 V6/3.0 V6/3.2 V6/ 147,156,164,166,G	3.90 EUR

## Zahnriemen/Timingbelt Nuovo GT 3.2 V6 24V/GTA



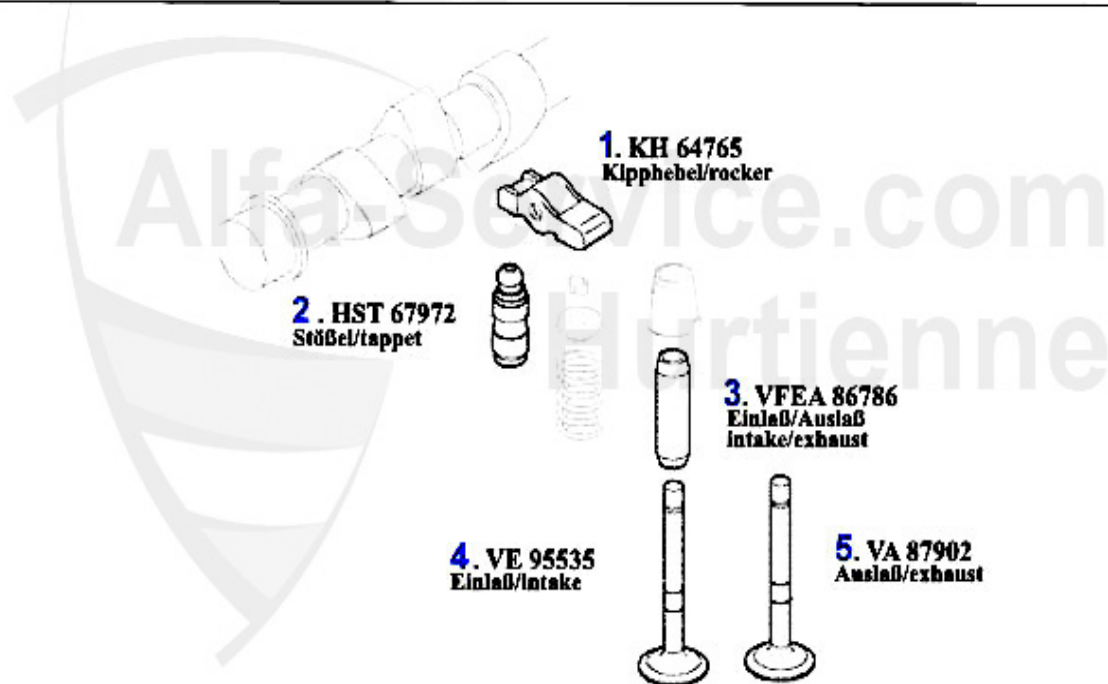
1	UR55876	IDLER PULLEY FOR DRIVE BELT 147,156,166, GTV/SPIDER (91	79.90 EUR
2	ZR94741	TIMING BELT 185H9.5P280 147,156,166,GTV/ SPIDER (916),N	129.00 EUR
3	SR55875	OE. 55196536 BELTSTRETCHER	149.00 EUR

# Nockenwelle/Camshaft Nuovo GT 1.9 JTD



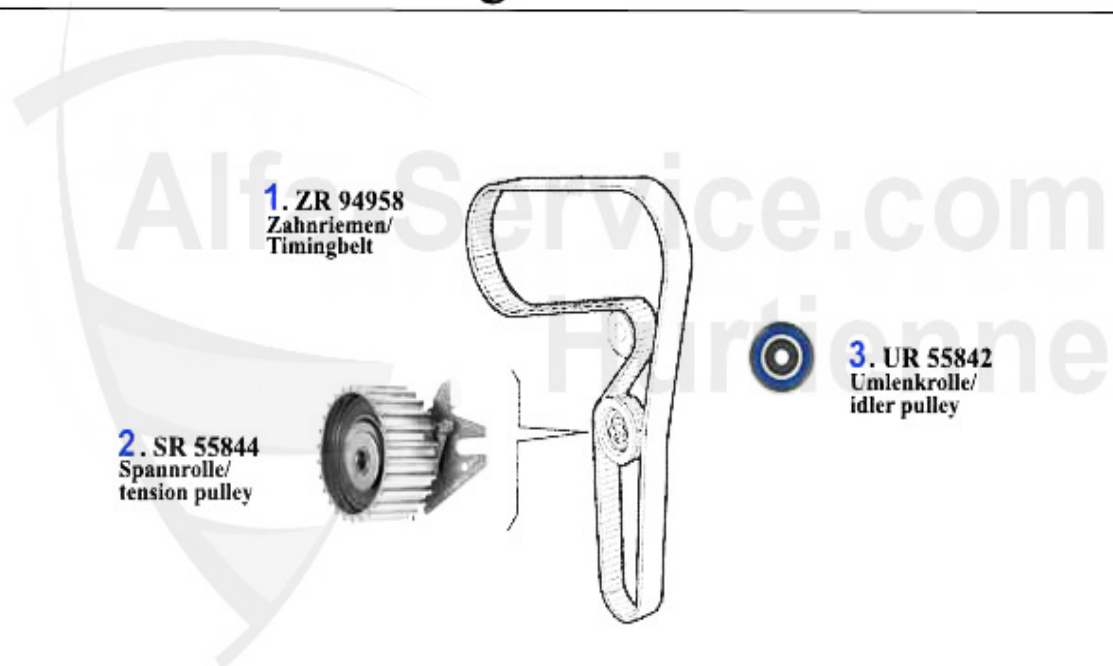
1	NKW02052	Nockenwelle Einla	208.25 EUR
2	NKW01374	Nockenwelle Ausla	179.52 EUR
3	WD02577	CRANKSHAFT OIL SEAL 147,156,166,NUOVO GT 1.9/2.4 JTD 16	5.90 EUR

## Ventiltrieb/Valve Train Nuovo GT 1.9 JTD



1	KH64765	Kipphebel 147,156,166,Nuovo GT JTD 16/20V	10.67 EUR
2	HST67972	Stößel 147,156,166,Nuovo GT JTD 16/20V	35.11 EUR
3	VFEA86786	OE. 55186786 Valve Guide Intake/Exhaust JTD 16/20V	13.34 EUR
4	VE95535	OE. 55195535 Valve Intake JTD 16/20V	18.98 EUR
5	VA87902	OE. 46787902 Valve-Exhaust JTD 16/20V	20.00 EUR

## Zahnriemen/Timingbelt Nuovo GT 1.9 JTD



1	ZR94958	Zahnriemen 147,156,166,Nuovo GT JTD 16/20V	58.48 EUR
2	SR55844	TENSIONING PULLEY TIMING BELT 145/6/7 , 156 , 166 1,9 &	68.22 EUR
3	UR55842	GUIDE PULLEY TIMING BELT 145/6/7,156 , 166 1,9 & 2,4 JT	34.77 EUR

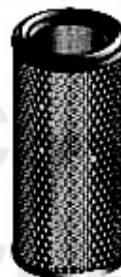
## Filter Nuovo GT 1.8 TS

Oelfilter/Oilfilter



**1. OF 519**

Luftfilter/Airfilter

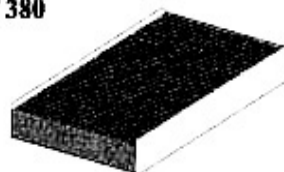


**2. LF 93**

Kraftstofffilter/Fuelfilter

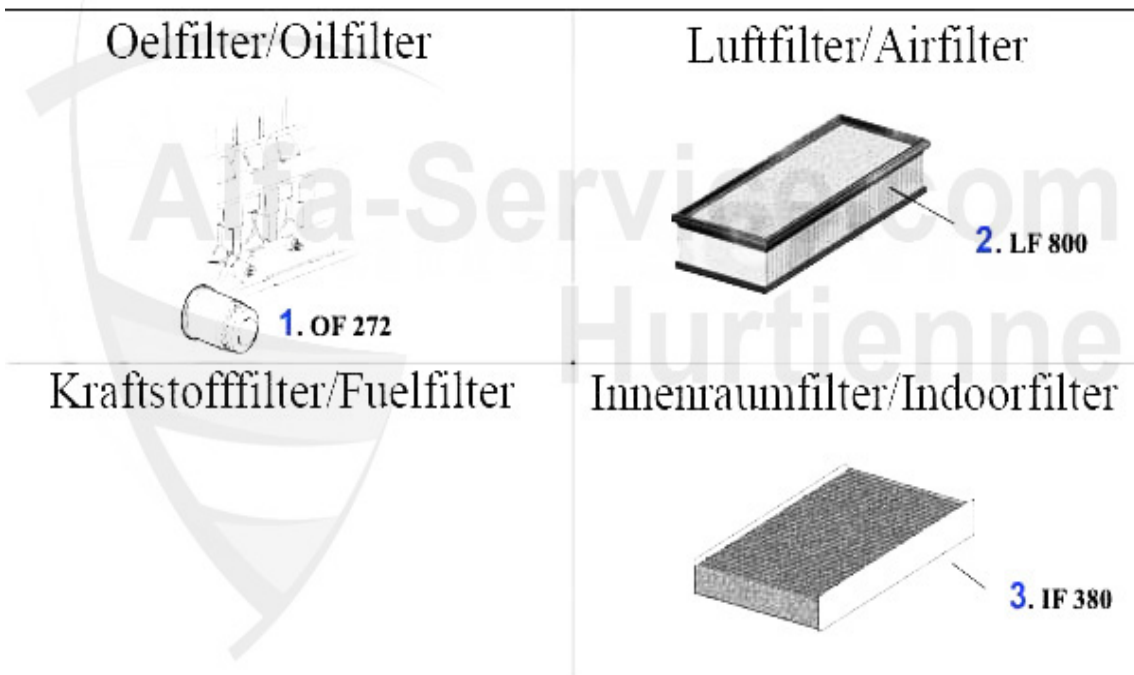
Innenraumfilter/Indoorfilter

**3. IF 380**



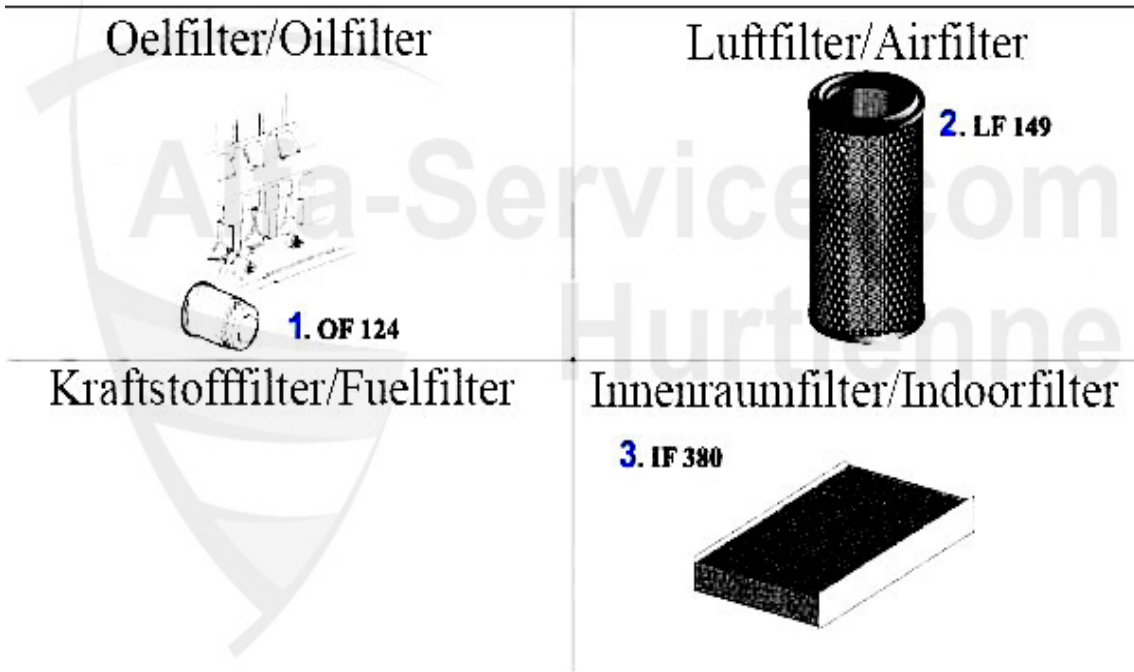
<b>1</b>	<b>OF519</b>	OE. 46808398/71736159 OILFILTER	<b>8.90 EUR</b>
<b>2</b>	<b>LF93</b>	OE. 60811342 AIR FILTER	<b>28.50 EUR</b>
<b>3</b>	<b>IF380</b>	OE.46799653 pollen filter 147,156 2001>,Nuovo GT, squar	<b>17.23 EUR</b>

## Filter Nuovo GT 2.0 JTS



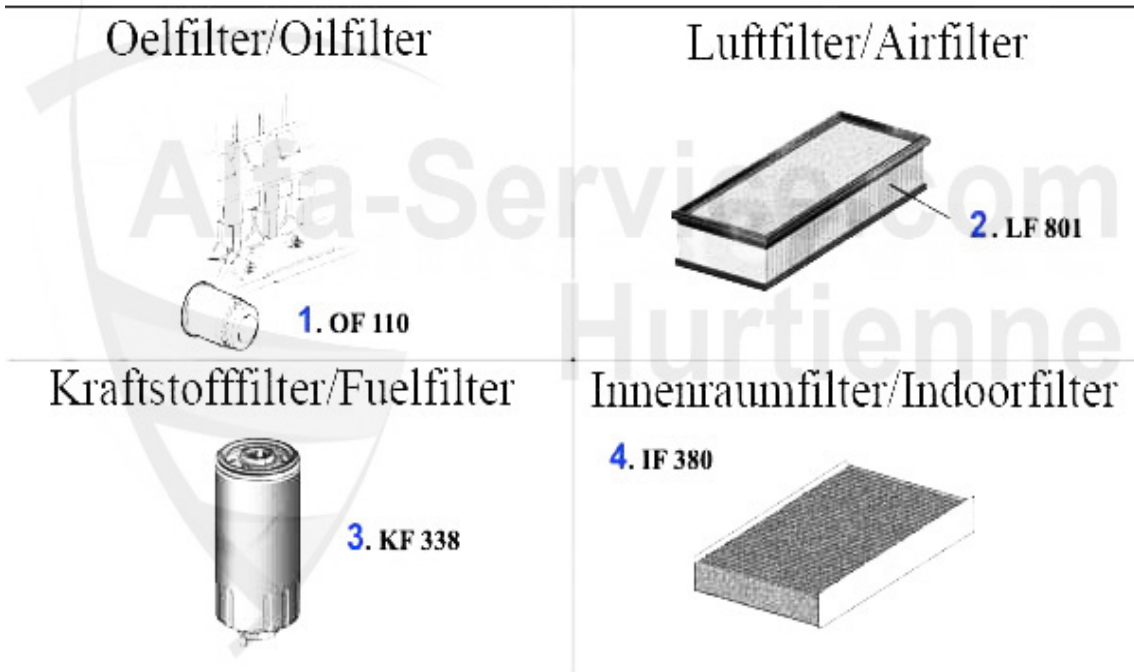
<b>1</b>	<b>OF272</b>	<b>OILFILTER 156/NUOVO,GTV/SPIDER(916) 2.0 JTS</b>	<b>14.43 EUR</b>
<b>2</b>	<b>LF800</b>	<b>AIR FILTER 147 TS/JTS SQUARE, OE.4674119</b>	<b>16.31 EUR</b>
<b>3</b>	<b>IF380</b>	<b>OE.46799653 pollen filter 147,156 2001&gt;,Nuovo GT, squar</b>	<b>17.23 EUR</b>

# Filter Nuovo GT 3.2 V6 24V

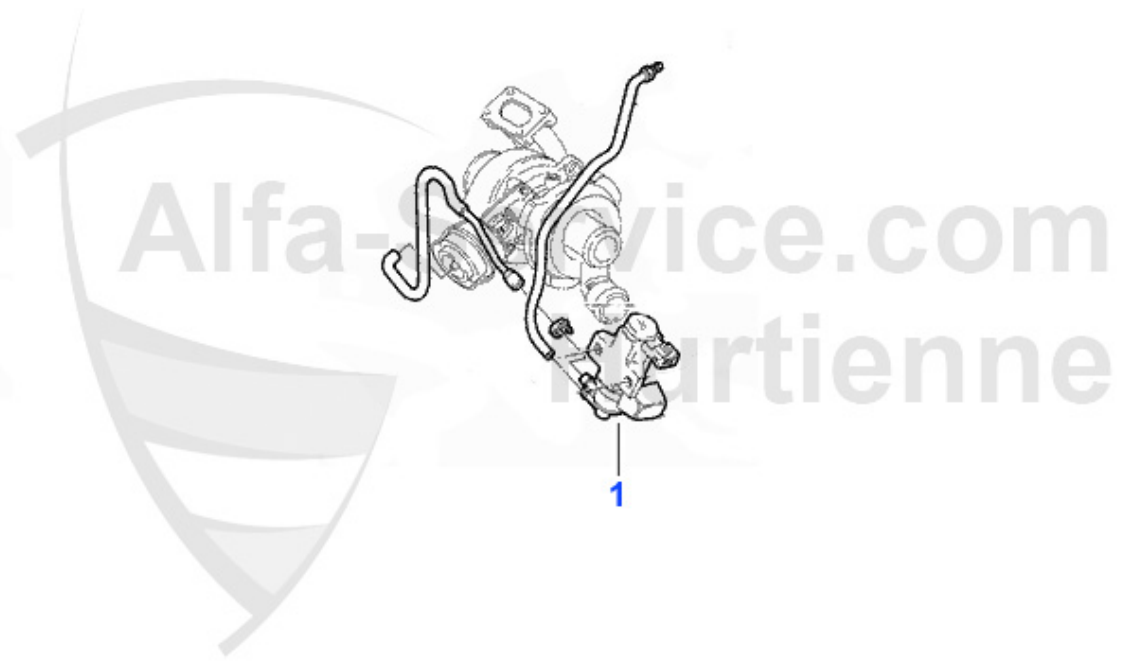


<b>1</b>	<b>OF124</b>	<b>OE. 46805830 OILFILTER</b>	<b>9.13 EUR</b>
<b>2</b>	<b>LF149</b>	<b>AIR FILTER 147 GTA,156 2.0 TS/JTS/V6 24V/JTD,NUOVO GT V</b>	<b>14.77 EUR</b>
<b>3</b>	<b>IF380</b>	<b>OE.46799653 pollen filter 147,156 2001&gt;,Nuovo GT, squar</b>	<b>17.23 EUR</b>

## Filter Nuovo GT 1.9 JTD



<b>2</b>	<b>LF801</b>	OE.46794403 air filter 147,156 Nuovo GT 1,9 JT (CF3) sq	<b>14.88 EUR</b>
<b>3</b>	<b>KF338</b>	Kraftstofffilter 147,156,166,Nuovo G T JTD (CF3),Bj 01>	<b>28.62 EUR</b>
<b>4</b>	<b>IF380</b>	OE.46799653 pollen filter 147,156 2001>,Nuovo GT, squar	<b>17.23 EUR</b>

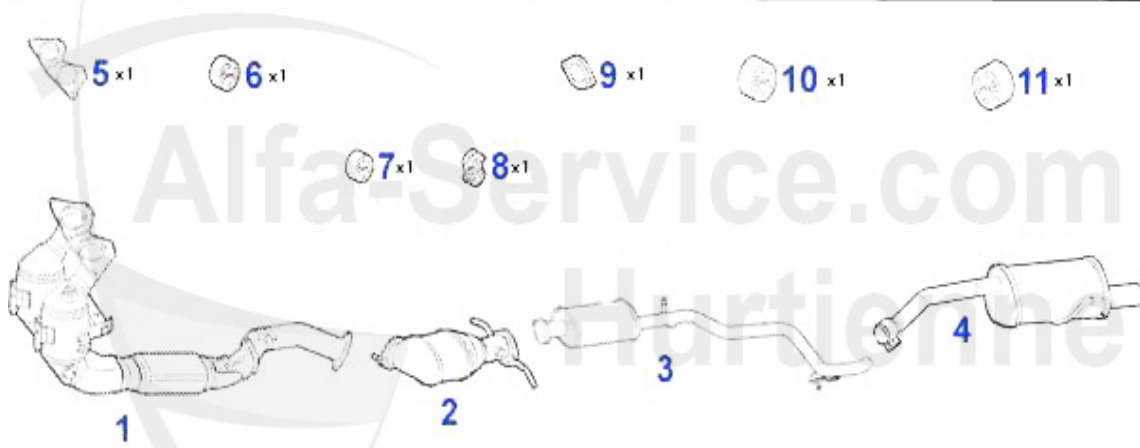


1 STV203202

ELECTRO VALVE FOR TURBO 147, 156, 159, 166,GT, Brera, M

68.94 EUR

## Abgasanlage/Exhaust System Nuovo GT 1.8 TS

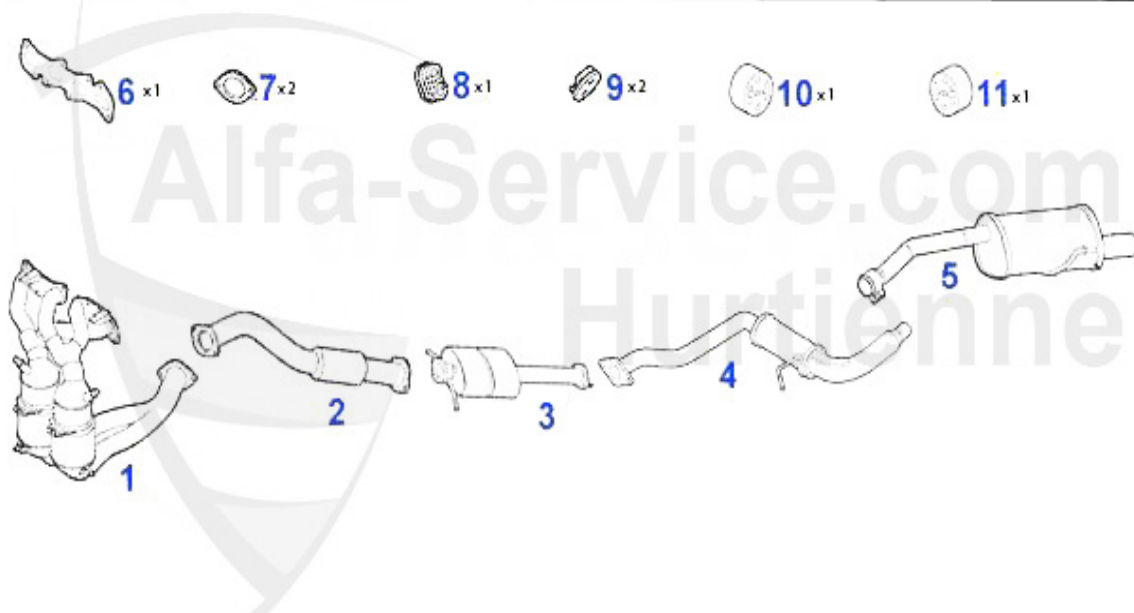


Nuovo GT 1.8 TS 103 KW

'03-

1	KAT90641	OE. 55190641 EXHAUST PIPE CATALIZED Nuovo GT 1.8 TS	1300.00 EUR
2	KAT03566	OE. 73503566 KATALYSATOR Nuovo GT 1.8 TS	564.23 EUR
3	MSD116406	CENTER MUFFLER 156 1.6-2.0 16V TS 00> CF3,Nuovo GT 1.8	199.00 EUR
4	NSD86617	OE. 55186617 REAR SILENCER Nuovo GT 1.8 TS	297.50 EUR
6	SAT42184	OE. 46742184 ELASTIC PAD, rubber 147, 156, Nouvo GT	6.10 EUR
7	SAT091143	SILENT BLOC MUFFLER SUSPENSION SPIDER/ GTV (916),156,16	3.53 EUR
8	SAT094484	Dichtung VSD/Kat Diverse	5.50 EUR
9	SAT091066	OE.60655991 rubber exhaust hanger 147/156	4.00 EUR
12	SAT22352	Anschlagpuffer für Mittel- topf Alfa 916 alle Modelle A	3.50 EUR

## Abgasanlage/Exhaust System Nuovo GT 2.0 JTS

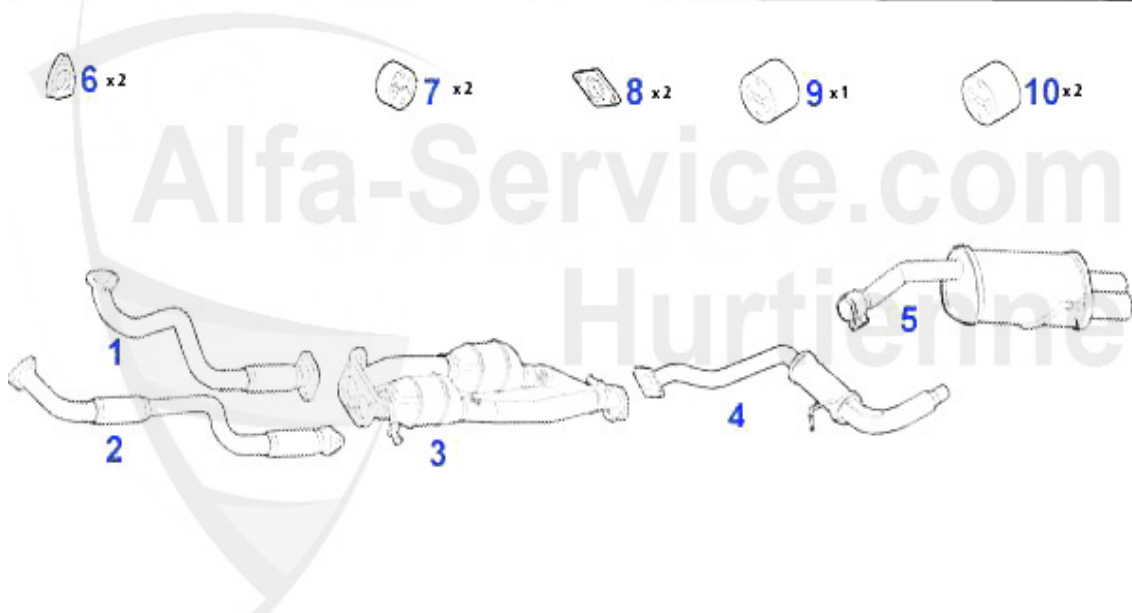


Nuovo GT 2.0 JTS 121KW

'03-

1	KAT84599	OE. 55184589 EXHAUST PIPE CATALIZED gtv/spider (916) 2.	2124.15 EUR
2	VR116545	FRONT MUFFLER 156/GTV/SPIDER (916)/NUOVO GT 2.0 JTS	184.65 EUR
3	KAT116503	CENTER CATALYST 156/NUOVO GT 2.0 JTS	629.00 EUR
4	MSD116506	Mitteltopf 156 2.0 JTS 16V bj. 02> 156 2.5 V6 bj. 97>/N	127.00 EUR
5	NSD84895	OE. 55184595 REAR SILENCER Nuovo GT 2.0 JTS	371.57 EUR
6	AGKD02761	EXHAUST MANIFOLD GASKET 145/6,147,155, 156,166,GTV/SPID	24.00 EUR
7	SAT094484	Dichtung VSD/Kat Diverse	5.50 EUR
8	SAT42184	OE. 46742184 ELASTIC PAD, rubber 147, 156, Nouvo GT	6.10 EUR
9	SAT091143	SILENT BLOC MUFFLER SUSPENSION SPIDER/ GTV (916),156,16	3.53 EUR
10	SAT091066	OE.60655991 rubber exhaust hanger 147/156	4.00 EUR
12	SAT22352	Anschlagpuffer für Mittel- topf Alfa 916 alle Modelle A	3.50 EUR

## Abgasanlage/Exhaust System Nuovo GT 3.2 GTA

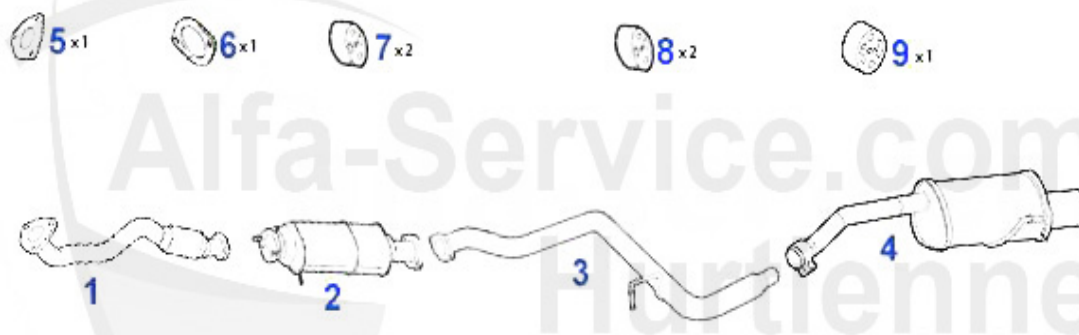


Nuovo GT 3.2 V6 24V/GTA 176 KW

'03-

1	VR69658	OE. 60669658 EXHAUST PIPE FR 147 GTA	299.00 EUR
2	VR69659	OE. 60669659 EXHAUST PIPE FL 147 GTA	369.00 EUR
3	KAT78321	OE. 60678321 SILENCER CATALIZED 147 GTA	1199.23 EUR
4	MSD76396	OE. 60676396 MIDDLE SILENCER 156/SW GTA	399.00 EUR
5	NSD84896	OE. 55184896 REAR SILENCER Nuovo GT 3.2 V6 24V/GTA	599.00 EUR
6	SAT69665	OE. 60669665 SEALING GASKET f. EXHAUST PIPE 147,156,166	7.18 EUR
7	SAT091143	SILENT BLOC MUFFLER SUSPENSION SPIDER/ GTV (916),156,16	3.53 EUR
8	SAT094484	Dichtung VSD/Kat Diverse	5.50 EUR
9	SAT22352	Anschlagpuffer für Mittel- topf Alfa 916 alle Modelle A	3.50 EUR

## Abgasanlage/Exhaust System Nuovo GT 1.9 JTD

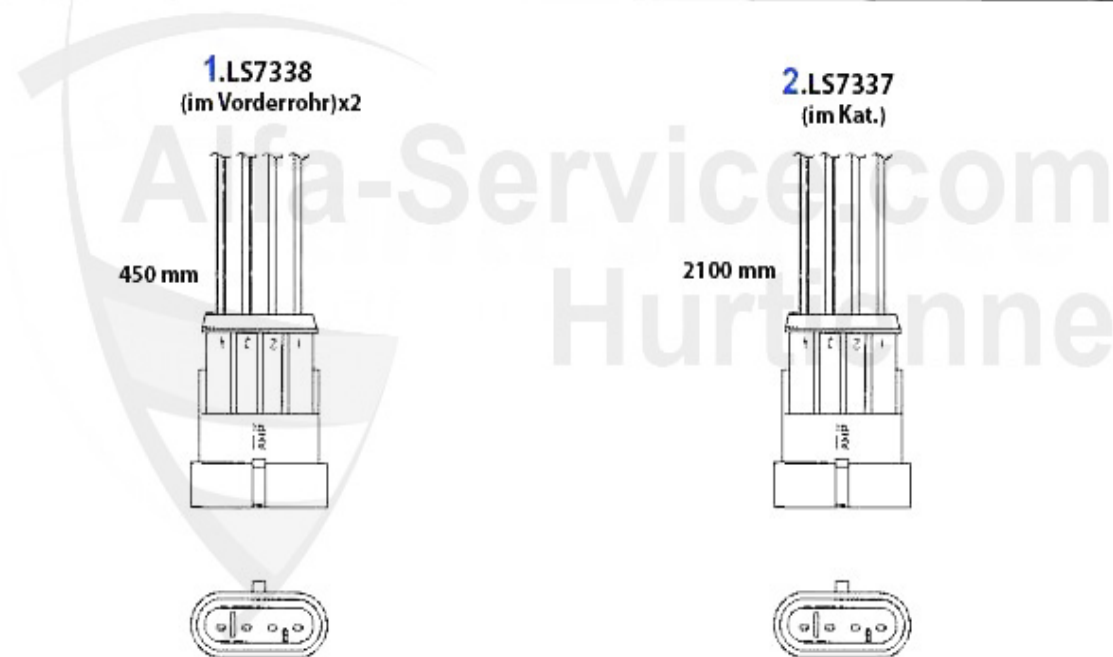


Nuovo GT 1.9 JTD CF3/4 103/110 KW

'03-

1	VR698319	OE. 60698319 EXHAUST PIPE Nuovo GT 1.9 JTD CF3/4	282.11 EUR
2	KAT69268	OE. 51769268 CATALYSATOR Nuovo GT 1.9 JTD CF3/4	Preis auf Anfrage
3	MR116634	Mittelrohr 156 1.9 JTD ab # 0434143 Nuovo GT 1.9 JTD CF	109.00 EUR
4	NSD88136	OE. 55188136 RAER SILENCER Nuovo GT 1.9 JTD CF3/4	305.00 EUR
5	SAT094560	GASKET FRONT MUFFLER 145/6,156,166 JTD	4.62 EUR
6	SAT094484	Dichtung VSD/Kat Diverse	5.50 EUR
7	SAT091143	SILENT BLOC MUFFLER SUSPENSION SPIDER/ GTV (916),156,16	3.53 EUR
8	SAT091066	OE.60655991 rubber exhaust hanger 147/156	4.00 EUR
10	SAT22352	Anschlagpuffer für Mittel- topf Alfa 916 alle Modelle A	3.50 EUR

## Lambda-Sonde/Lambda Probe Nuovo GT 1.8 TS



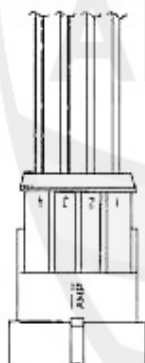
1	LS7338	Lambda-Sonde 147 1.6/2.0 16V TS, 156 1.6/1.8/2.0 16V TS	112.85 EUR
2	LS7337	OE. 46760863 LAMBDA PROBE 147,156 1.6 (88KW)/1.8 (103KW)	59.00 EUR

## Lambda-Sonde/Lambda Probe Nuovo GT 2.0 JTS

**1.LS811311**

Vorderrohr oben x 2

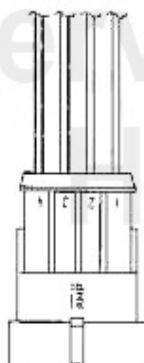
Bj. >05.2005



**2.LS198786**

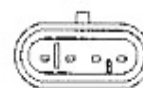
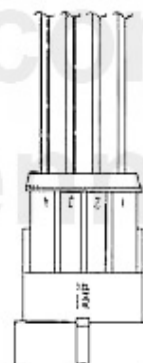
Vorderrohr oben x 2

Bj. 05.2005>



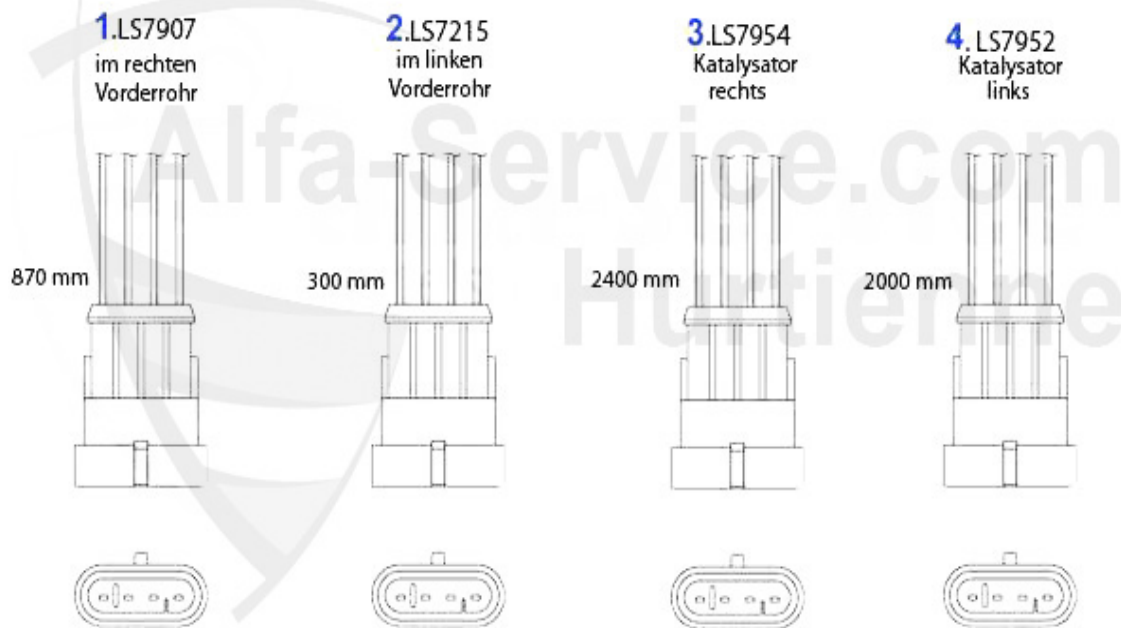
**3.LS7212**

Vorderrohr unten x 2

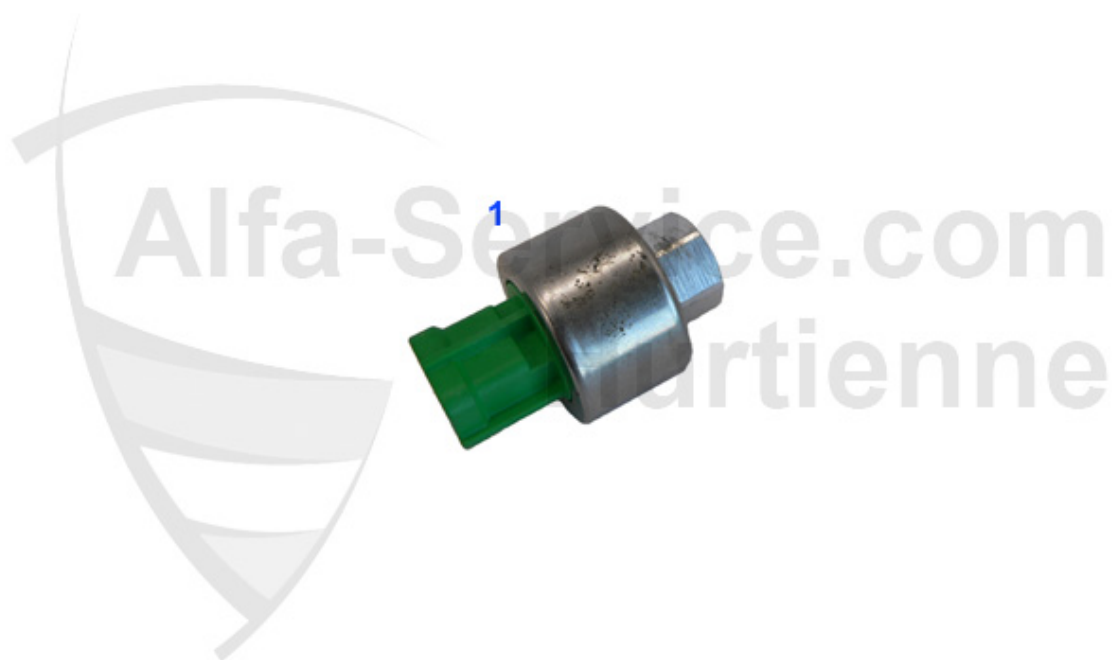


<b>1</b>	<b>LS811311</b>	<b>OE. 46811311 LAMBDA PROBE 156, 166, gtv/spider (916), N</b>	<b>149.00 EUR</b>
<b>2</b>	<b>LS198786</b>	<b>OE. 55198786 LAMBDA PROBE f. EXHAUST PIPE upside 147 2.</b>	<b>111.82 EUR</b>
<b>3</b>	<b>LS7212</b>	<b>Lambda-Sonde 147 1.6 16V TS,156 2.0 JTS/2.5 V,166 2.0 T</b>	<b>66.00 EUR</b>

Lambda-Sonde/Lambda Probe Nuovo GT 3.2 V6 24V/GTA



1	LS7907	Lambda-Sonde 147 GTA,156 2.5 V6 24V bj. 10.00>/3.2 GTA,	108.00 EUR
2	LS7215	Lambda-Sonde 147 1.6 16V TS ECO, 3.2 V6 24V GTA 166 2.5	111.82 EUR
3	LS7954	Lambda-Sonde 147 GTA,156 2.5 V6 24V bj. 01.02>/ 3.2 GTA	109.00 EUR
4	LS7952	Lambda-Sonde 147 GTA,156 2.5 V6 24V bj. 01.02>/3.2 GTA,	99.00 EUR

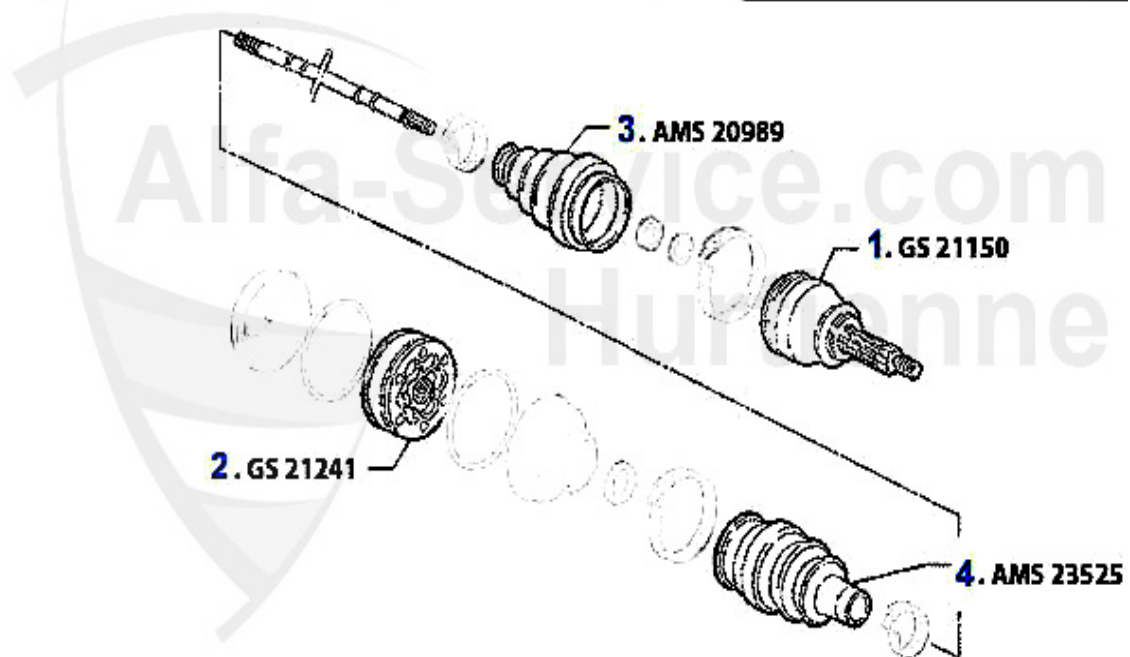


1 KS76438

PRESSURE SWITCH AIRCONDITIONING SYSTEM

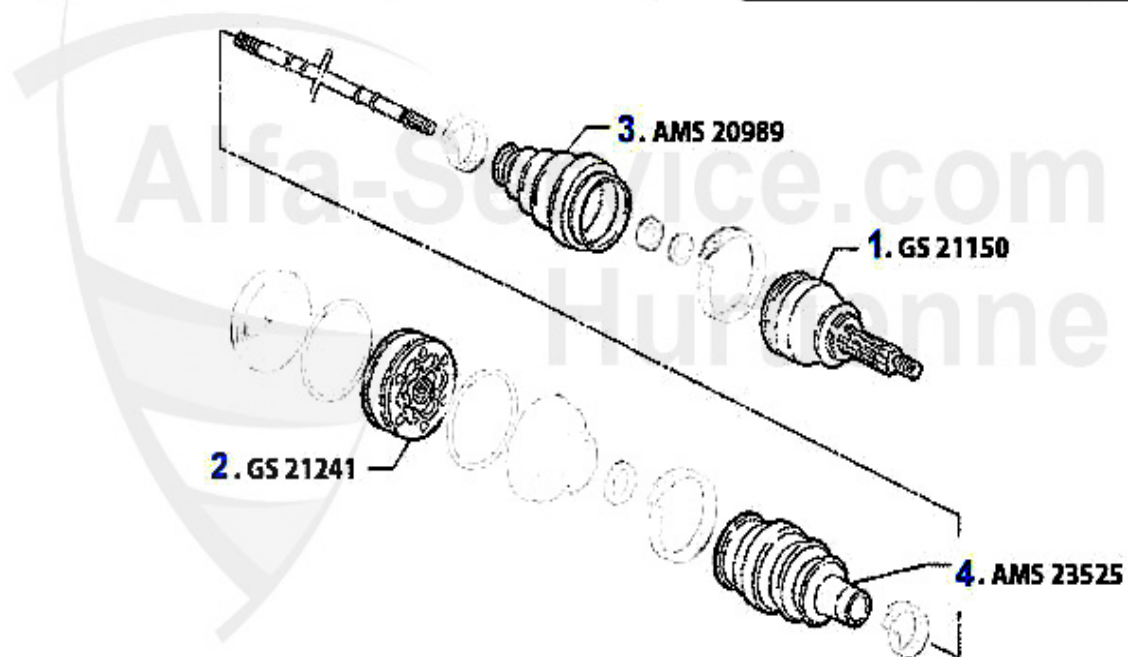
45.99 EUR

# Antriebswelle/Driveshaft Nuovo GT 1.8 TS



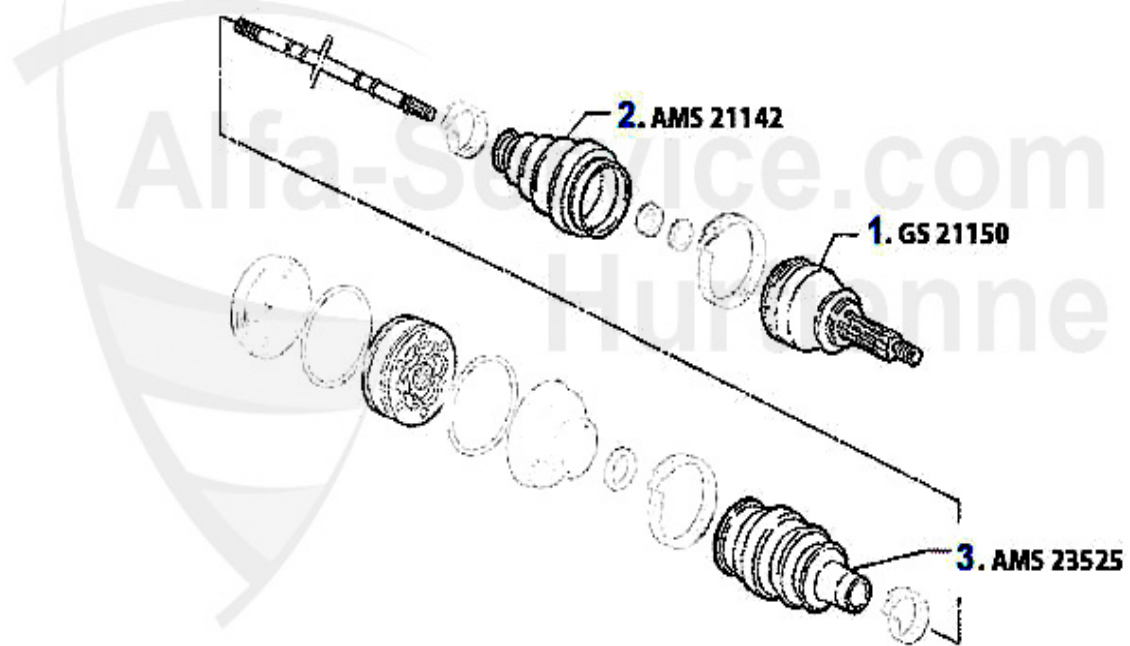
<b>1</b>	<b>GS21150</b>	OUTER CV JONT 156/6 TS 16V #3180592>, 147 TS 16V,GTV/SP	<b>121.05 EUR</b>
<b>2</b>	<b>GS21241</b>	Inner drive shaft joint gtv/spider (916),155,145/6 TS 1	<b>111.72 EUR</b>
<b>3</b>	<b>AMS20989</b>	OE.46429633, outer joint gaiter 145/6 147, 156, 166	<b>17.90 EUR</b>
<b>4</b>	<b>AMS23525</b>	Achsmanschettensatz innen 155 1,7/ 1.8/2.0/TS 16V,2.5 V	<b>25.55 EUR</b>

# Antriebswelle/Driveshaft Nuovo GT 2.0 JTS



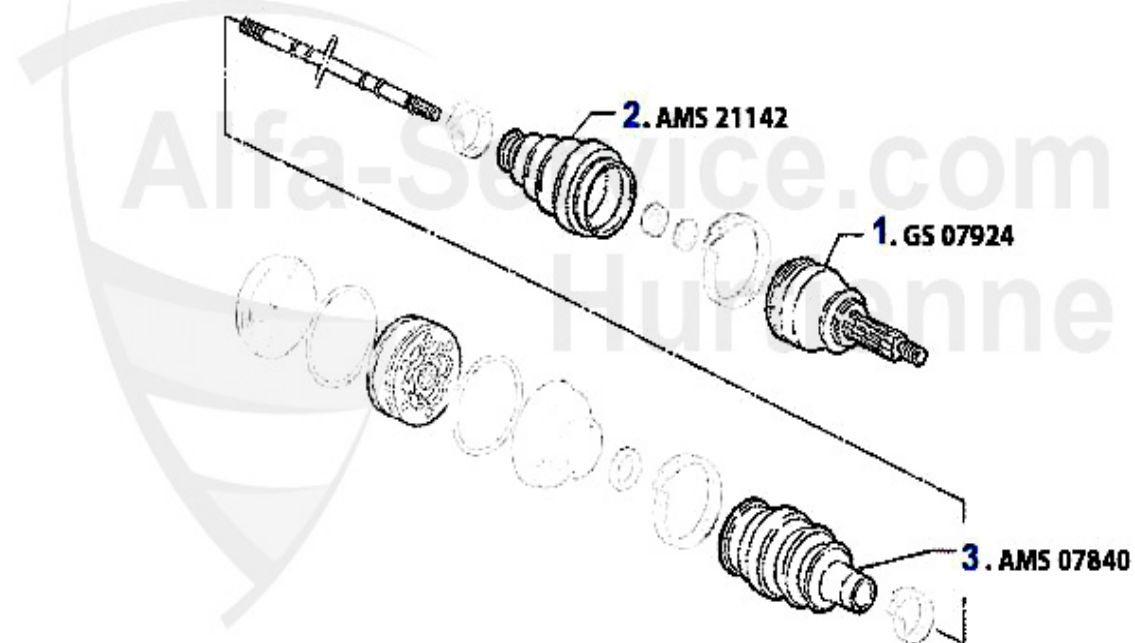
<b>1</b>	<b>GS21150</b>	OUTER CV JONT 156/6 TS 16V #3180592>, 147 TS 16V,GTV/SP	<b>121.05 EUR</b>
<b>2</b>	<b>GS21241</b>	Inner drive shaft joint gtv/spider (916),155,145/6 TS 1	<b>111.72 EUR</b>
<b>3</b>	<b>AMS20989</b>	OE.46429633, outer joint gaiter 145/6 147, 156, 166	<b>17.90 EUR</b>
<b>4</b>	<b>AMS23525</b>	Achsmanschettensatz innen 155 1,7/ 1.8/2.0/TS 16V,2.5 V	<b>25.55 EUR</b>

## Antriebswelle/Driveshaft Nuovo GT 3.2 GTA



<b>1</b>	<b>GS21150</b>	OUTER CV JONT 156/6 TS 16V #3180592>, 147 TS 16V,GTV/SP	<b>121.05 EUR</b>
<b>2</b>	<b>AMS21142</b>	OE. 46307733 BOOT SET 147,156,gstv/spider (916),Nuovo GT	<b>29.90 EUR</b>
<b>3</b>	<b>AMS23525</b>	Achsmanschettensatz innen 155 1,7/ 1.8/2.0/TS 16V,2.5 V	<b>25.55 EUR</b>

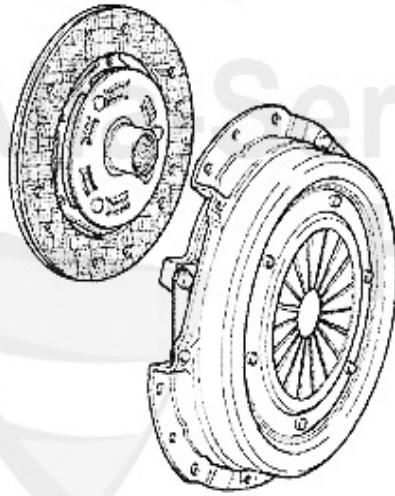
## Antriebswelle/Driveshaft Nuovo GT 1.9 JTD



<b>1</b>	<b>GS07924</b>	OE. 46307924 CONST.VELLOCITY JOI 156 1.9 JTD 8V (85KW)	<b>142.60 EUR</b>
<b>2</b>	<b>AMS21142</b>	OE. 46307733 BOOT SET 147,156,gtv/spider (916),Nuovo GT	<b>29.90 EUR</b>
<b>3</b>	<b>AMS07840</b>	OE. 46307840 BOOT SET 147 1.9 JTD # 3145308>	<b>21.44 EUR</b>

# Kupplungs-Kit/Clutch Nuovo GT 1.8 TS

---



1. KK 853201  
Ø 215 mm

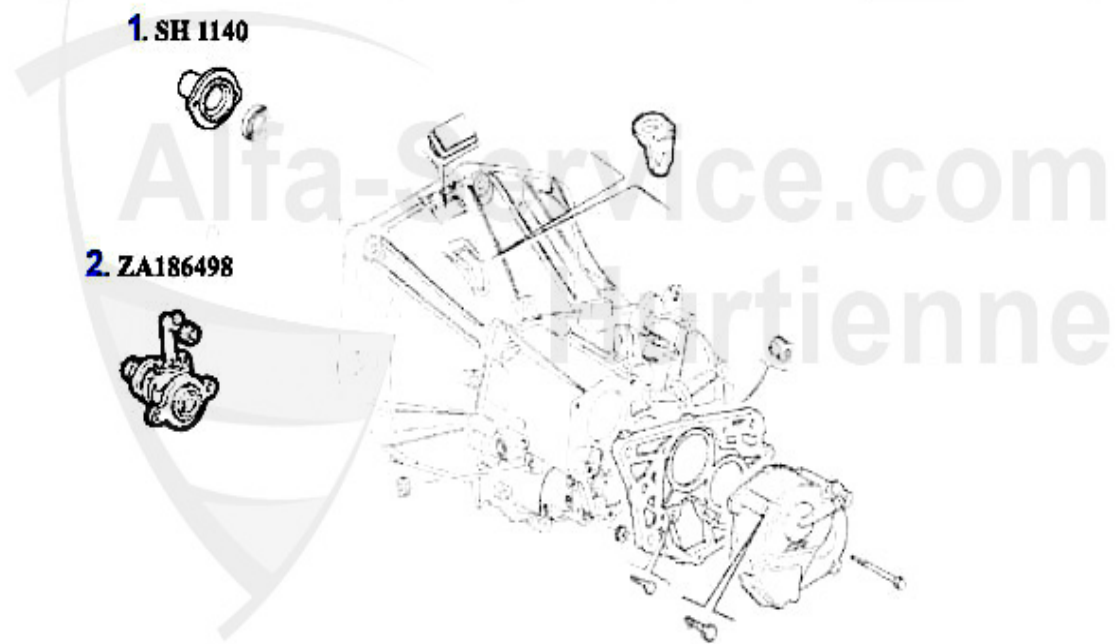
---

1 KK853201

CLUTCH KIT 147,156 1.6/1.8 16V TS 09.97>,NUOVO GT 1.8 T

195.16 EUR

## Ausrücker/Sleeve Bearing Nuovo GT 1.8 TS

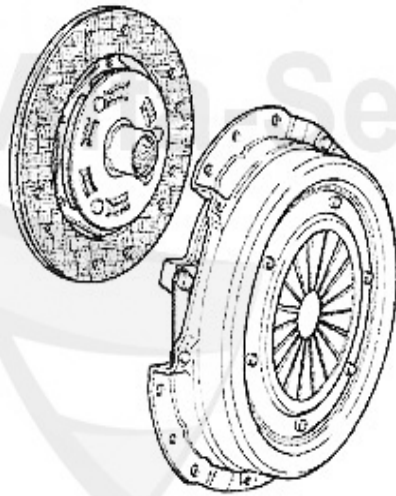


2 ZA186498

OE. 55186498 SLEEVE T/OBEARING 147,Nuovo GT 12.2003>

84.99 EUR

# Kupplungs-Kit/Clutch Nuovo GT 2.0 JTS

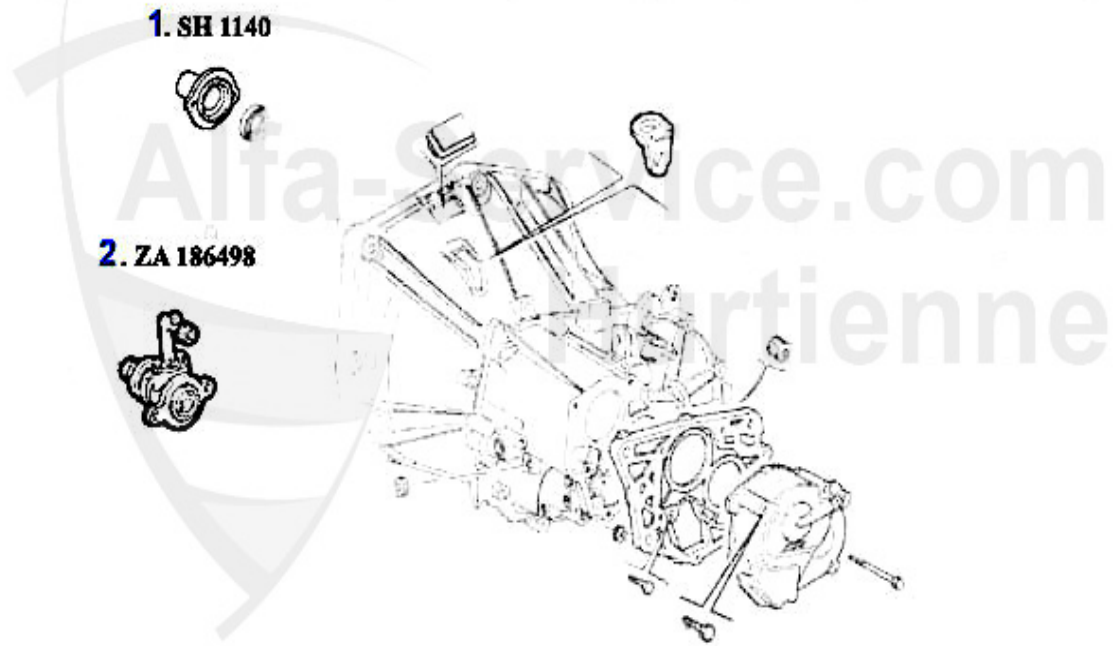


1. KK 951301  
- Selespeed

2. KK 190116  
+ Selespeed

1	KK951301	OE. 55190114 CLUTCH KIT 147,156/SW 2.0 TS, WITHOUT RELE	379.00 EUR
2	KK190116	OE. 55190116 KIT CLUTCH gtv/spider (916) 2.0 JTS	324.73 EUR

# Ausrücker/Sleeve Bearing Nuovo GT 2.0 JTS

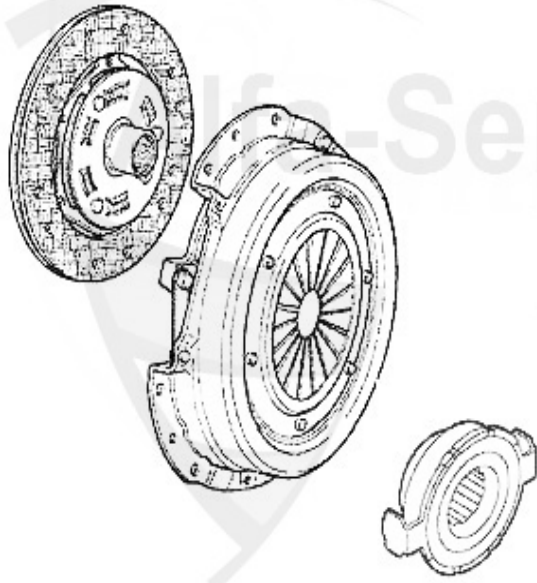


2 ZA186498

OE. 55186498 SLEEVE T/OBEARING 147,Nuovo GT 12.2003>

84.99 EUR

## Kupplungs-Kit/Clutch Nuovo GT 3.2 V6 24V/GTA



1. KK 739521  
Ø 235 mm

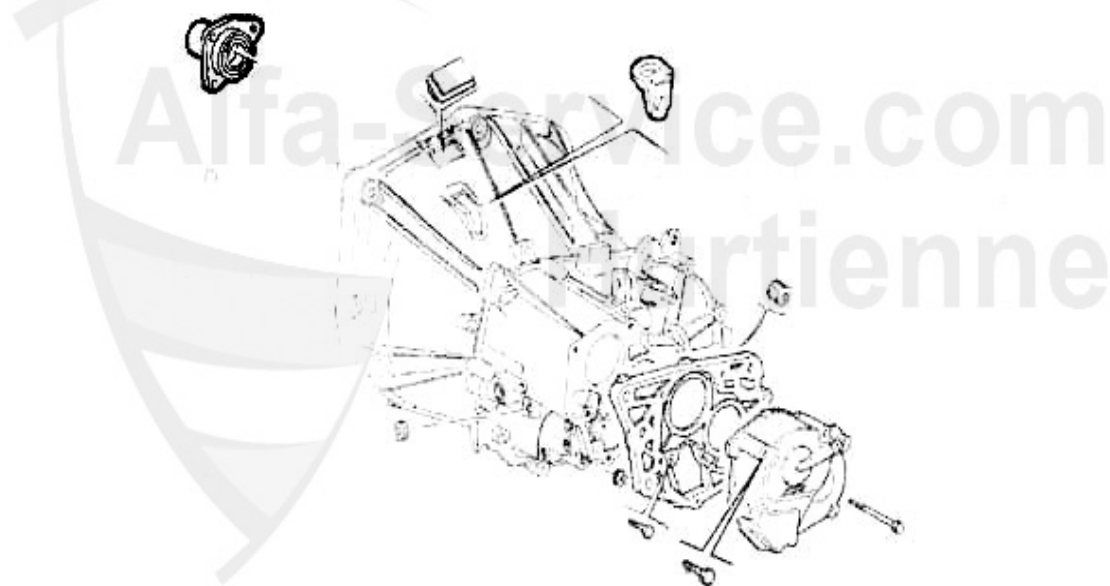
1 KK739521

OE. 71739521 CLUTCH KIT 147,156,916 GTA

475.00 EUR

## Ausrücker/Sleeve Bearing Nuovo GT 3.2 V6 24V/GTA

1. FH 11951



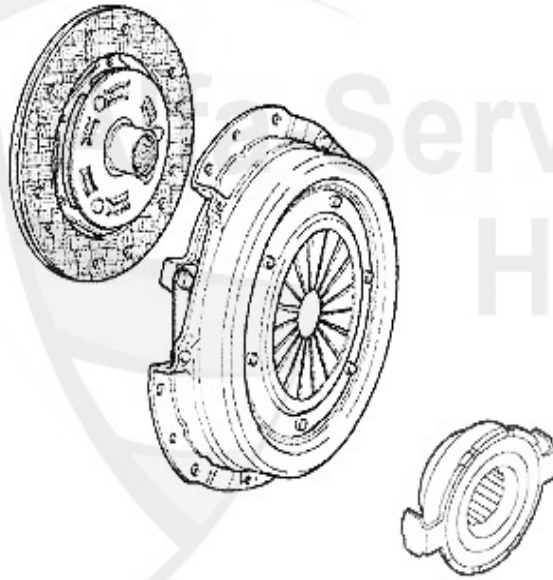
1 FH11951

GUIDE BUSH FOR CLUTCH RELEASE BEARING 3 HOLES 145/6,147

79.00 EUR

# Kupplungs-Kit/Clutch Nuovo GT 1.9 JTD

---



Service.com  
1. KK 739501  
Hurtienne

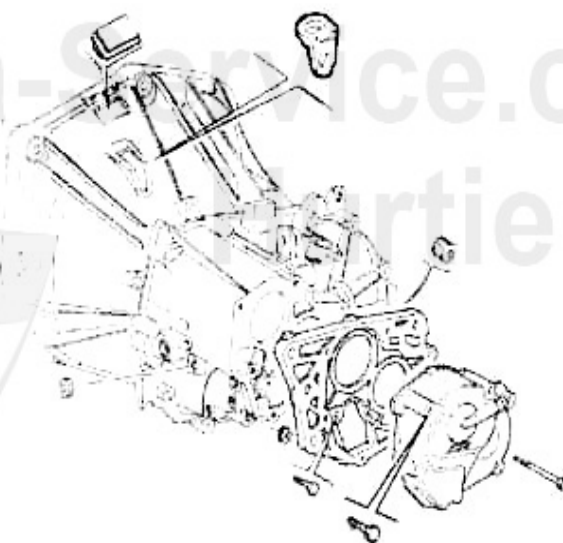
1 KK739501

OE. 71735901 KIT CLUTCH 147,156,Nuovo GT 1.9 JTD 16V, 1

316.99 EUR

## Ausrücker/Sleeve Bearing Nuovo GT 1.9 JTD

1. FH 11951



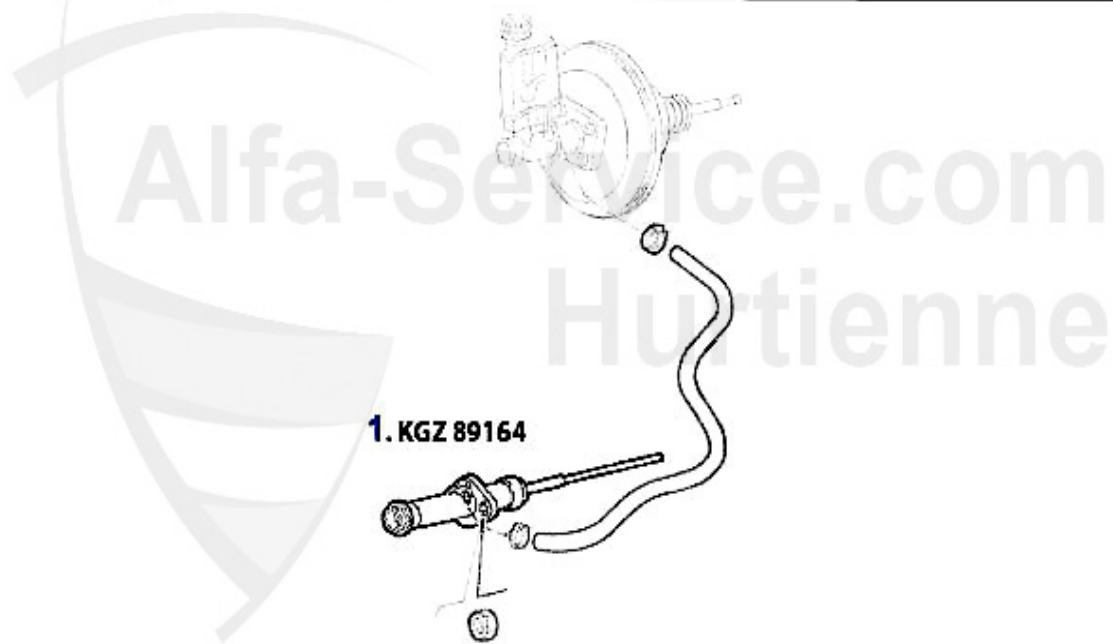
1 FH11951

GUIDE BUSH FOR CLUTCH RELEASE BEARING 3 HOLES 145/6,147

79.00 EUR

Kupplungsbetätigung/Clutch Actuation Nuovo GT 1.8 TS

---



---

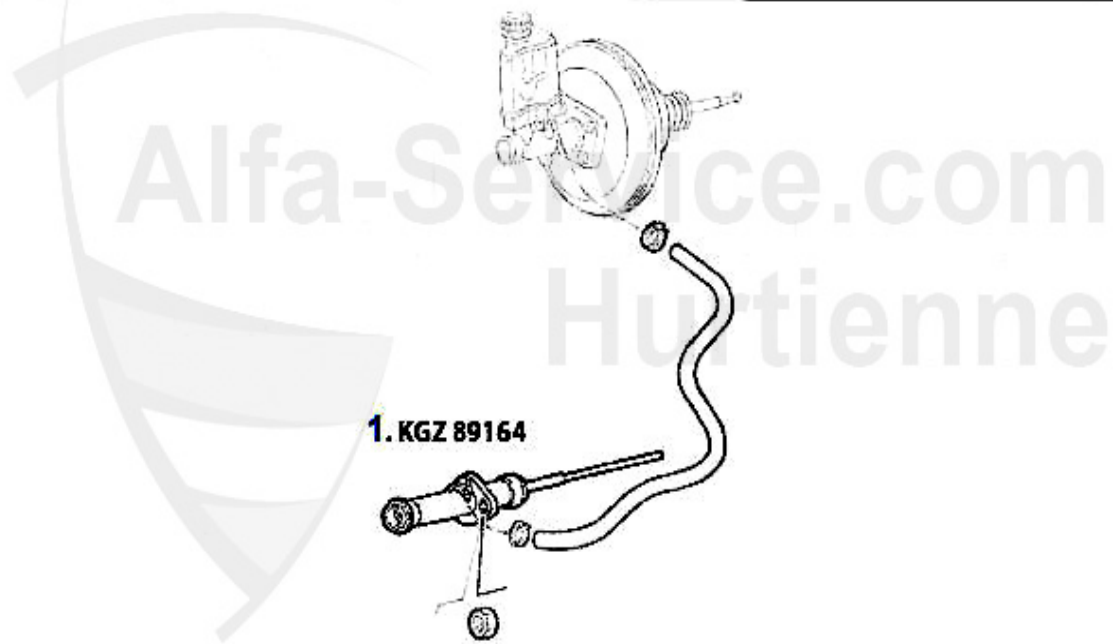
1 KGZ89164

OE. 55189164 CLUTCH PUMP 147, Nuovo GT

47.50 EUR

Kupplungsbetätigung/Clutch Actuation Nuovo GT 2.0 JTS

---



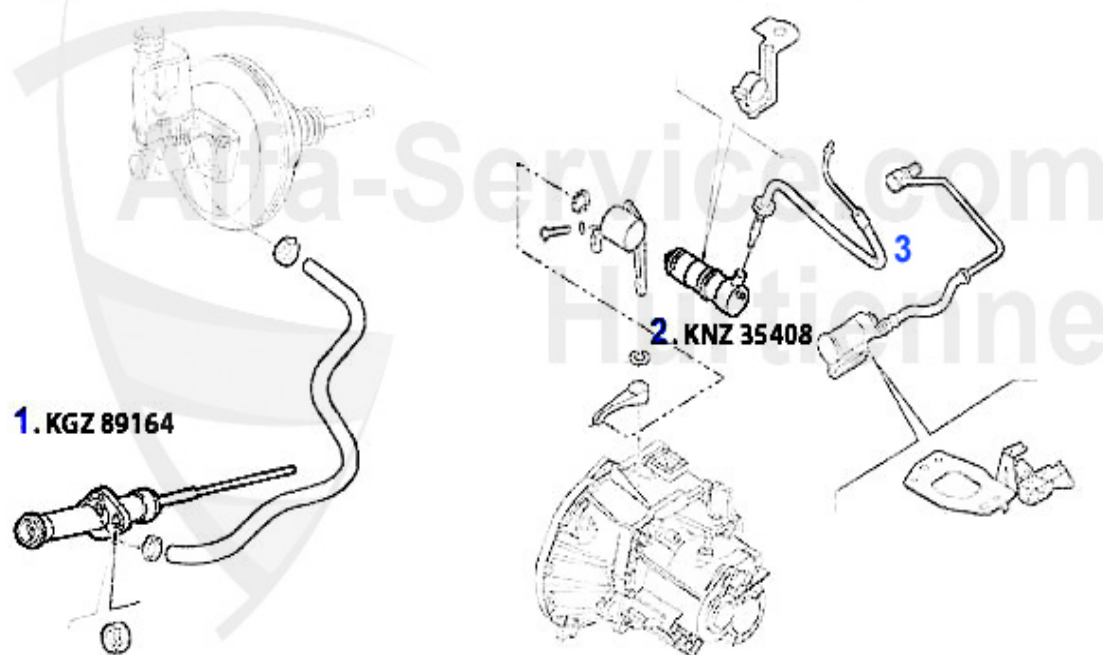
---

**1** KGZ89164

OE. 55189164 CLUTCH PUMP 147, Nuovo GT

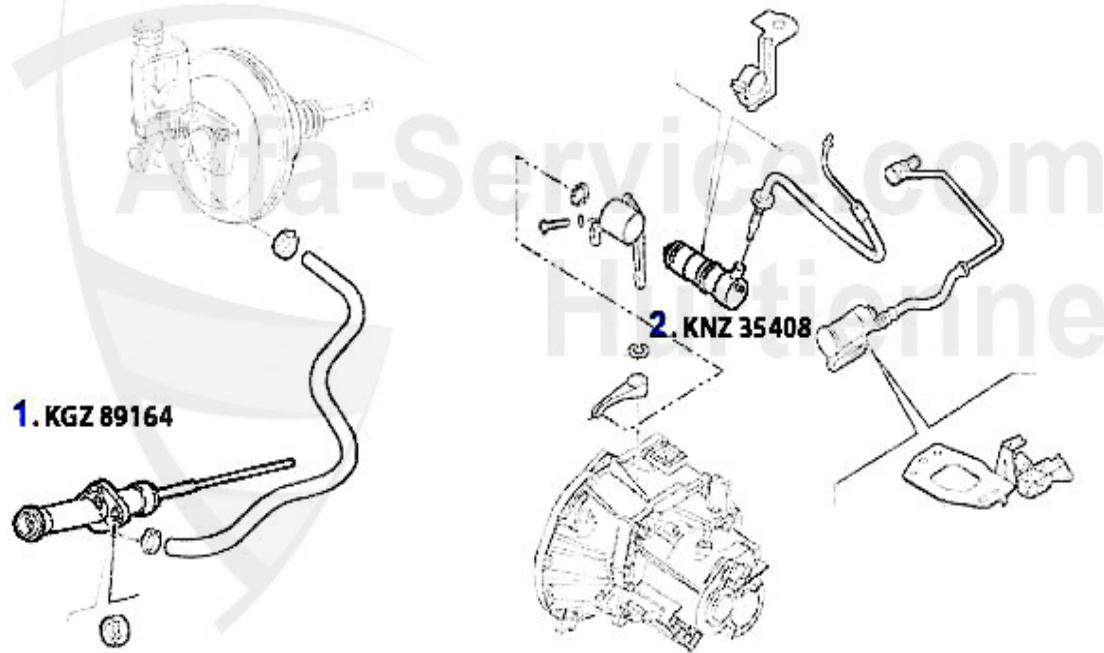
**47.50 EUR**

Kupplungsbetätigung/Clutch Actuation Nuovo GT 3.2 V6 24V/GTA



<b>1</b>	<b>KGZ89164</b>	OE. 55189164 CLUTCH PUMP 147, Nuovo GT	<b>47.50 EUR</b>
<b>2</b>	<b>KNZ35408</b>	OE. 46835408 CLUTCH CYLINDER 147, Nuovo GT 1.9 JTD/3.2	<b>66.88 EUR</b>
<b>3</b>	<b>KS3200</b>	CLUTCH HOSE 147 GTA 00-10/Alfa GT 3.2V6 03-10	<b>Preis auf Anfrage</b>

Kupplungsbetätigung/Clutch Actuation Nuovo GT 1.9 JTD



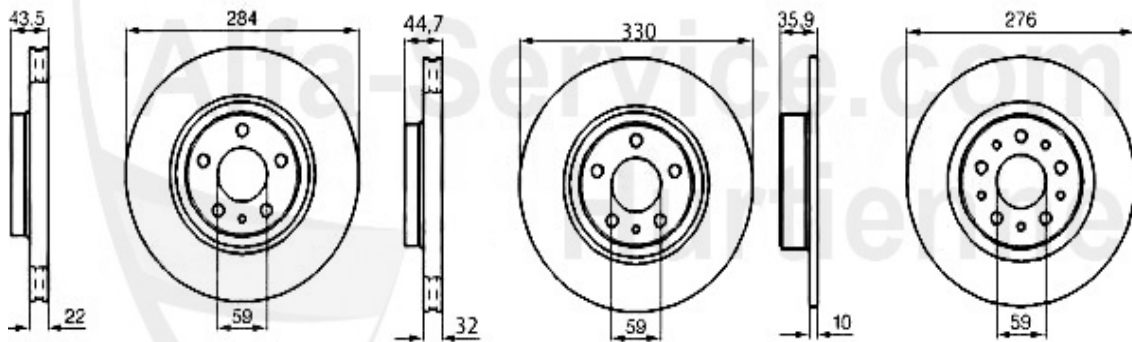
1	KGZ89164	OE. 55189164 CLUTCH PUMP 147, Nuovo GT	47.50 EUR
2	KNZ35408	OE. 46835408 CLUTCH CYLINDER 147, Nuovo GT 1.9 JTD/3.2	66.88 EUR

# Bremsscheiben/Brakedisks Nuovo GT

**1. BS 518751**  
- GTA  
vorne/front

**2. BS 733051**  
+ GTA  
vorne/front

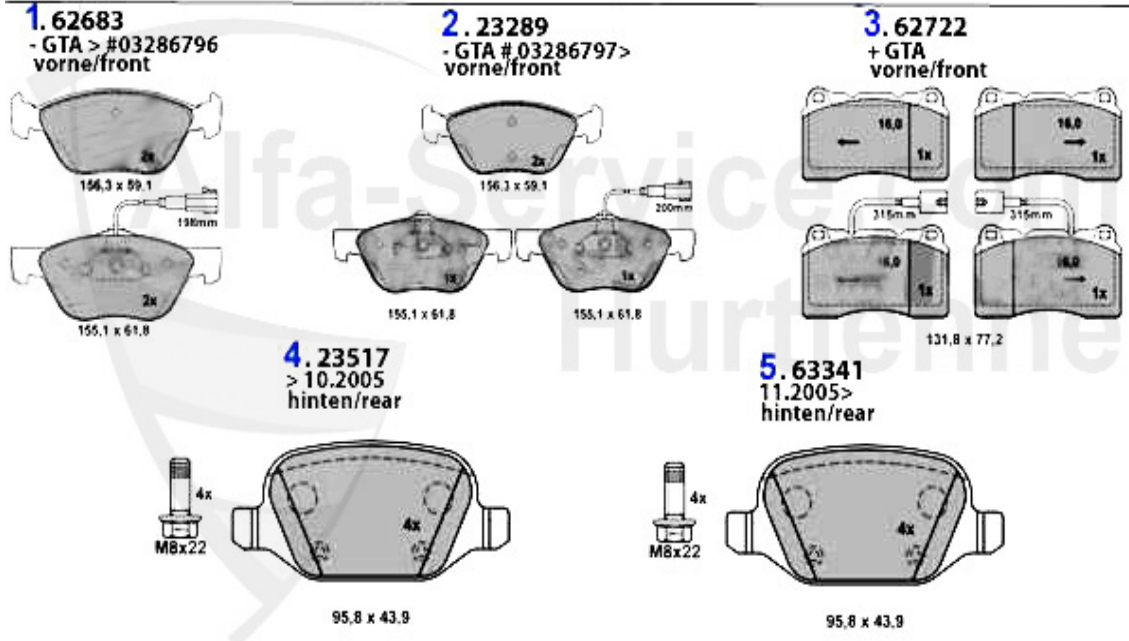
**3. BS 518751**  
hinten/rear



HÖCHSTGEFÜHRTER GRAUGUSS  
**HC**  
 CHIEF ALTO CARBONIO  
 ACCERTAMENTO L.T.M.  
 HIGH CARBON CAST IRON

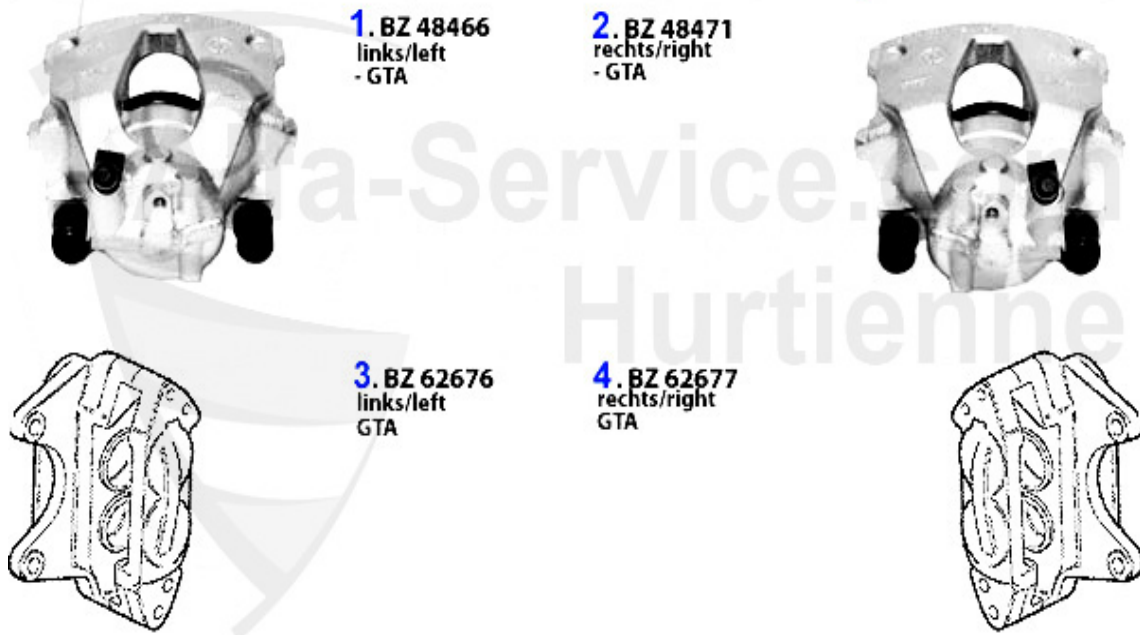
<b>1</b>	<b>BS518751</b>	<b>OE. 71739568 FRONT BRAKE DISK 147, 156, 164, gtv/spider</b>	<b>70.78 EUR</b>
<b>2</b>	<b>BS733051</b>	<b>OE.51733051 FRONT BRAKE DISC GTA 147 2003&gt;,156 2002&gt;</b>	<b>159.00 EUR</b>

# Bremsbeläge/Brakepads Nuovo GT



1	62683	SBB VA gtv/spider (916) 2.0 TS CF3/ 2.0 JTS Bj. 9.03>,	79.50 EUR
2	23289 193 05	BRAKE PADS FRONT WITH WARNING CONTACT 145/6 1.8/2.0 16V	69.76 EUR
3	62722	OE. 77362722 BRAKE PAD-SET Nuovo GT 3.2 GTA	111.82 EUR
4	23517 165 04	BRAKE PADS REAR WITHOUT WARNING CONTACT 147 1.6/2.0/16V	59.00 EUR
5	63341	OE. 77363341 BRAKE PAD-SET REAR 156/SW 1.9 JTD 4x4	76.95 EUR

# Bremszangen/Calipers Nuovo GT vorne/front



**1. BZ 48466**  
links/left  
-GTA

**2. BZ 48471**  
rechts/right  
-GTA

**3. BZ 62676**  
links/left  
GTA

**4. BZ 62677**  
rechts/right  
GTA

<b>1</b>	<b>BZ48466</b>	OE. 9948466 BRAKE CALIPER FL 147, 156, Nuovo GT TS 16V,	<b>68.23 EUR</b>
<b>2</b>	<b>BZ48471</b>	OE. 9948469 BRAKE CALIPER FR 147, 156, Nuovo GT TS 16V,	<b>68.23 EUR</b>
<b>3</b>	<b>BZ62676</b>	OE. 77362676 F.BRK.CAL.W/O PAD 147, 156 2002>, Nuovo GT	<b>270.78 EUR</b>
<b>4</b>	<b>BZ62677</b>	OE. 77362677 F.BRK.CAL.W/O PAD 147, 156 2002>, Nuovo GT	<b>270.78 EUR</b>

## Bremszangen/Calipers Nuovo GT hinten/rear



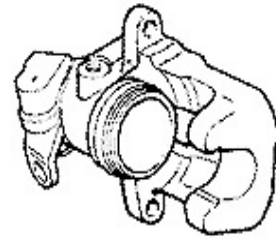
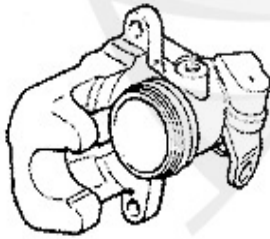
**1. BZ 48544**  
links/left  
-GTA

**2. BZ 48547**  
rechts/right  
-GTA



**3. BZ 49522**  
links/left  
GTA

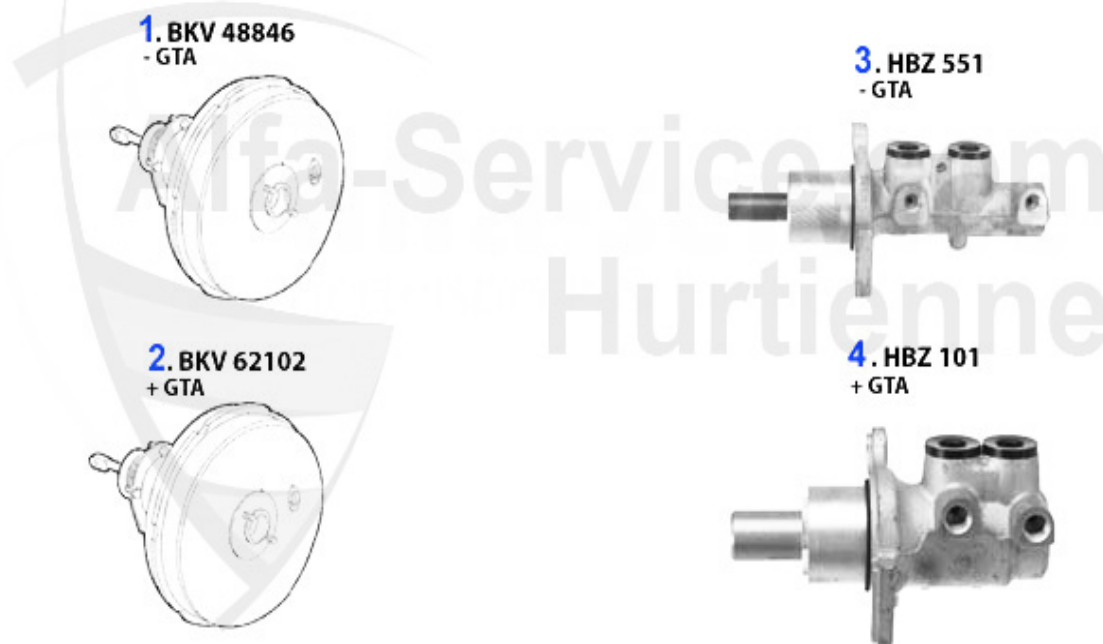
**4. BZ 49523**  
rechts/right  
GTA



<b>1</b>	<b>BZ48544</b>	<b>OE. 9951213/9948544 BRAKE CALIPPER REAR LEFT 147,156/SW</b>	<b>88.48 EUR</b>
<b>2</b>	<b>BZ48547</b>	<b>OE. 9951214/9948547 BRAKE CALIPPER REAR RIGHT 147,156/S</b>	<b>88.48 EUR</b>
<b>3</b>	<b>BZ49522</b>	<b>OE. 9949522 BRAKE CALIPER RL 147, 156 2002&gt;, Nuovo GT 3</b>	<b>53.26 EUR</b>
<b>4</b>	<b>BZ49523</b>	<b>OE. 9949523 BRAKE CALIPER RR 147, 156 2002&gt;, Nuovo GT 3</b>	<b>53.80 EUR</b>

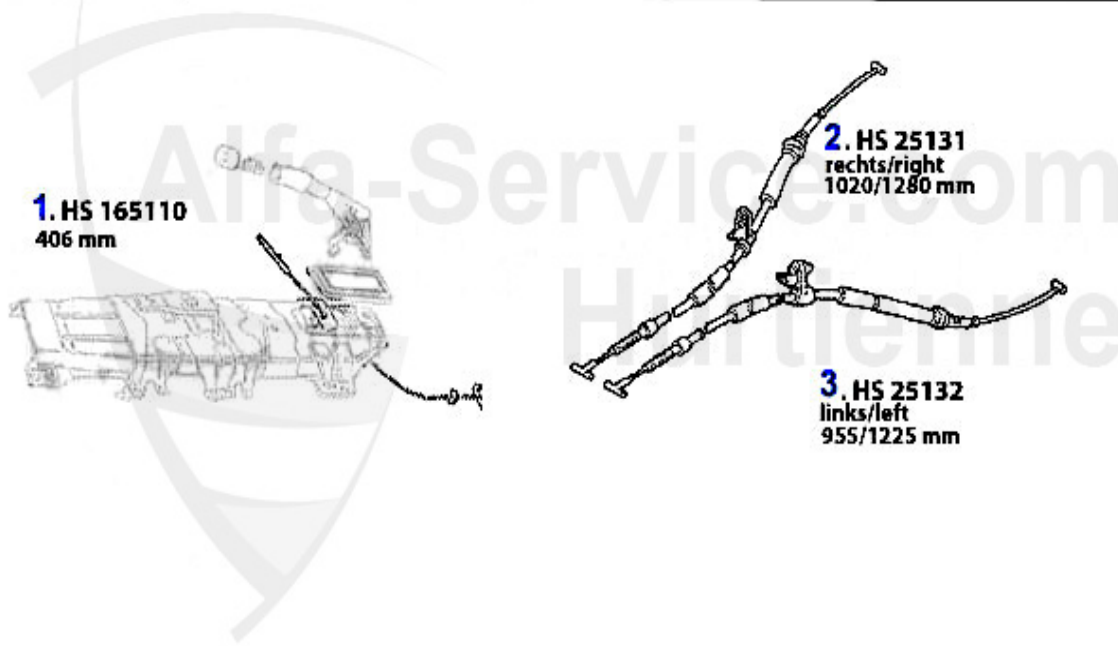
## Nuovo GT > BRAKE > BRAKE SERVO/BRAKE MASTER CYL.

BKV/Hauptbremszylinder/Brakeservo/Brake master cylinder Nuovo GT



1	BKV48846	Bremskraftverstärker 147 Bj. 6.02> #3176842> ACHTUNG: w	197.48 EUR
3	HBZ551	OE. 9949551 BRAKE MASTER CYLINDER 147/ Nuovo GT without	128.00 EUR
4	HBZ101	OE. 77362101 MASTER CYLINDER Nuovo GT GTA	173.37 EUR

# Handbremsseil/Brake Cable Nuovo GT



1	HS165110	HANDBRAKE CABLE FRONT 145/6,147,155, SPIDER/GTV (916),N	19.08 EUR
2	HS25131	HANDBRAKE CABLE RIGHT 156/NUOVO GT	33.89 EUR
3	HS25132	HANDBRAKE CABLE LEFT 156/NUOVO GT	33.89 EUR

# Bremsschlauch/Brake Hose Nuovo GT

**1. BS 511665**  
vorne/front  
- GTA



**2. BS 674858**  
vorne/front  
GTA

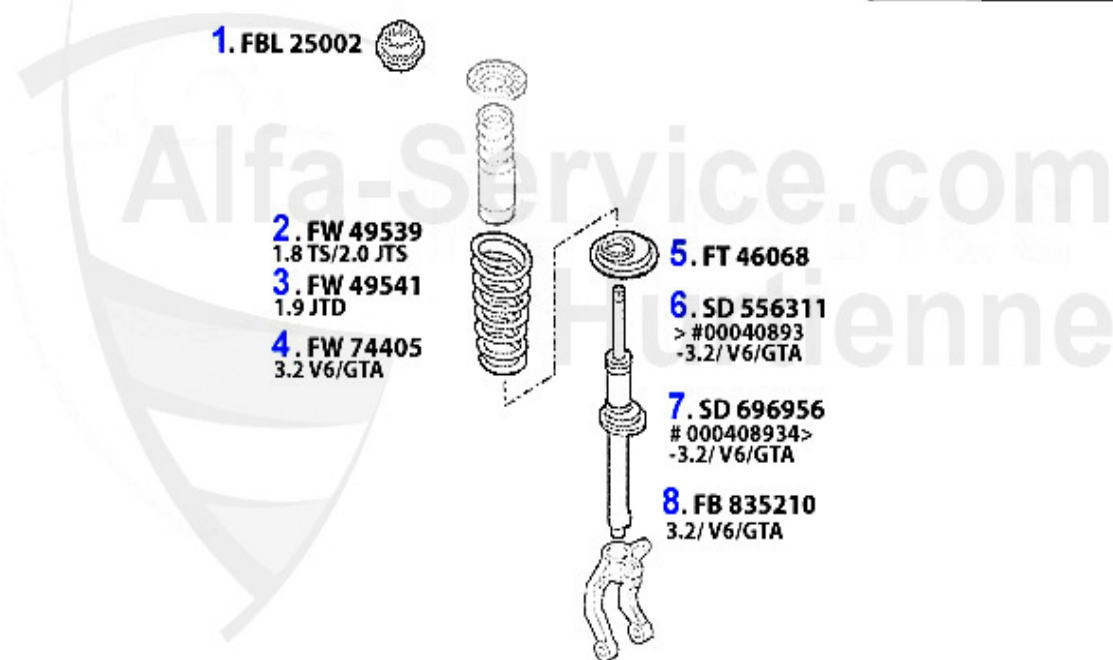


**3. BS 700558**  
hinten/rear



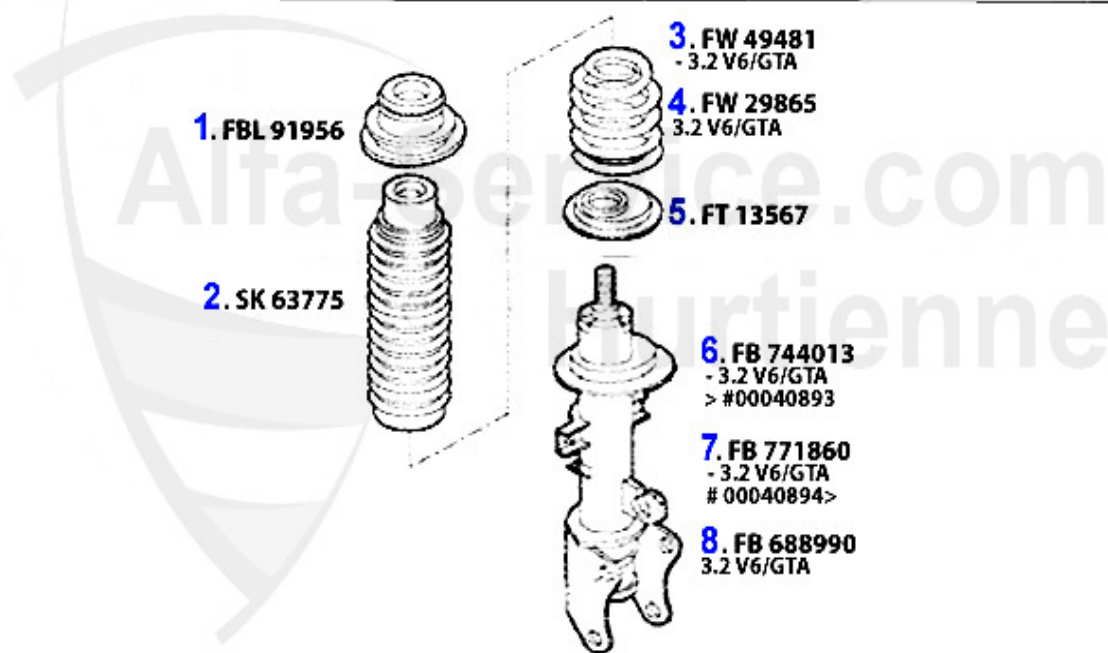
<b>1</b>	<b>BS511665</b>	<b>BRAKE HOSE FRONT 147/156</b>	<b>14.99 EUR</b>
<b>2</b>	<b>BS674858</b>	<b>OE. 60674858 BRAKE HOSE fr. 147/Nuovo GT 3.2 GTA</b>	<b>22.50 EUR</b>
<b>3</b>	<b>BS700558</b>	<b>OE. 51700558 REAR BRAKE HOSE 156 2002&gt;, Nuovo GT</b>	<b>23.50 EUR</b>

# Federbeine/Struts Nuovo GT vorne/front



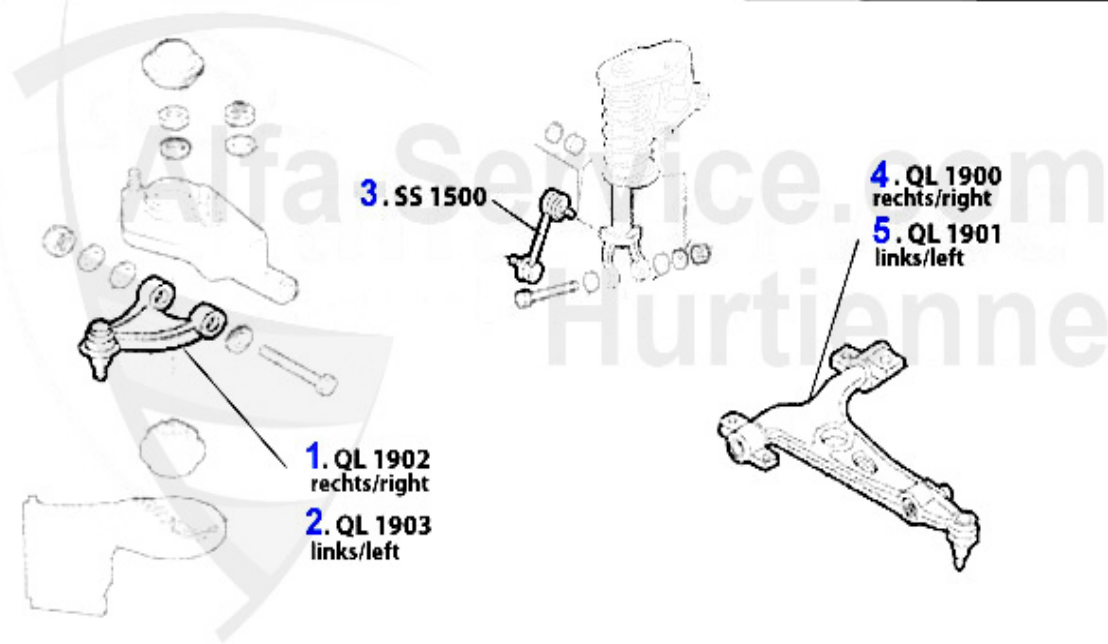
1	FBL25002	OE.60625002,STRUT BEARING FRONT 147, 156,166, NUOVO GT	55.00 EUR
2	FW49539	FRONT SPRING 147 1.6 16V TS NUOVO GT 1.8 TS/2.0 JTS OE.	59.00 EUR
3	FW49541	Fahrwerksfeder vorne 147 2.0 16V TS Nuovo GT 1.9 JTD	55.91 EUR
4	FW74405	OE. 60674405 SPRING FA 147 GTA	89.00 EUR
5	FT46068	OE.46746068 RING f. STRUT 147 FA (RUBBER)	5.00 EUR
6	SD556311	Stossdämpfer vorne 156 oben Stift/u nten Schelle,1-Rohr	107.72 EUR
7	SD696956	OE. 60696956 SHOCK ABSORBER front Nuovo GT # 00040894>	122.08 EUR

## Federbeine/Struts Nuovo GT hinten/rear



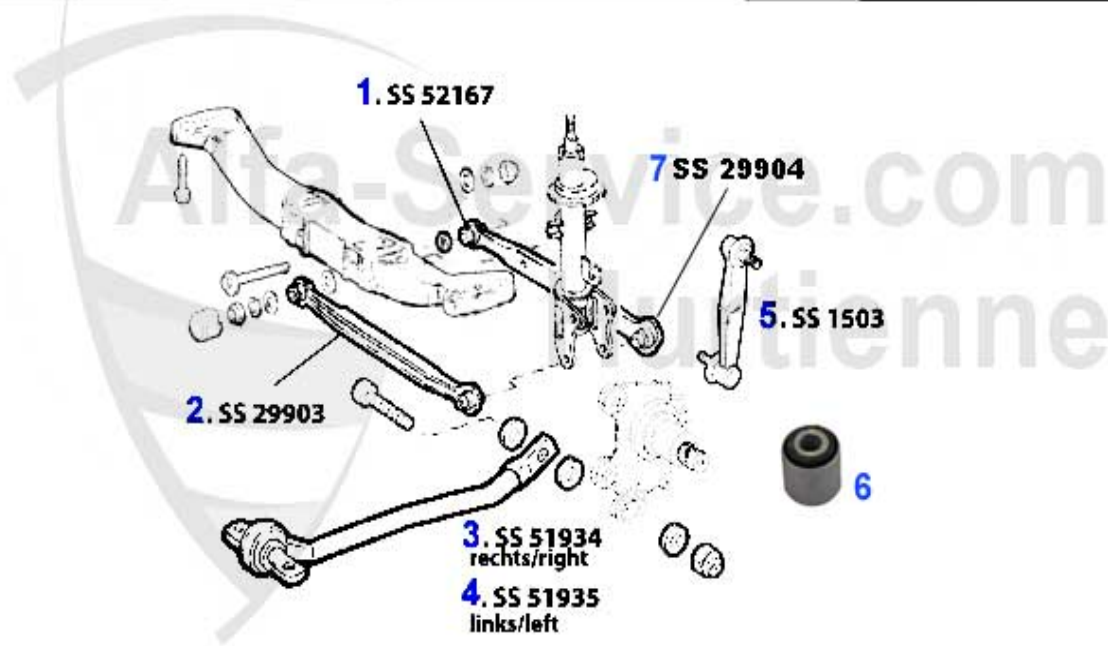
2	SK63775	OE. 60663775 SHIELD f. STRUT RA 147	10.95 EUR
3	FW49481	Fahrwerksfeder hinten 147,156,Nuovo GT	69.00 EUR
4	FW29865	OE. 46829865 REAR SPRING Nuovo GT 3.2 V6 GTA	149.00 EUR

## Aufhängung/Attachment Nuovo GT vorne/front



1	QL1902	OE. 51776326 UPPER RIGHT SWINGING ARM 147, 156, Nuovo G	77.65 EUR
2	QL1903	OE. 51776327 UPPER LEFT SWINGING ARM 147, 156, Nuovo GT	77.65 EUR
3	SS1500	OE. 46443389 FRONT STABILIZER 147, 156, Nuovo GT	28.00 EUR
4	QL1900	OE.60652466 front lower control arm right side,147,156,	79.00 EUR
5	QL1901	FRONT LOWER CONTROL ARM LEFT SIDE STEEL FORGED,147,156,	79.00 EUR

## Aufhängung/Attachment Nuovo GT hinten/rear



1	SS52167	REAR STABILIZING BAR 147,156 BEHIND THE TRAVERSE	54.50 EUR
2	SS29903	REAR STABILIZING BAR 147,156 IN FRONT OF THE TRAVERSE	54.50 EUR
3	SS51934	OE. 60651934 Rod	82.00 EUR
4	SS51935	OE. 60651935 Rod	82.00 EUR
5	SS1503	OE. 60699021/60613575 REAR STABILIZER 147, 156, Nuovo G	35.39 EUR
6	AB9034	OE. 60682636 BUSHING	15.90 EUR
7	SS29904	BUSHING FOR REAR ANTI-ROLL BAR 147/156	9.90 EUR

# Radlager/Wheel Bearing Nuovo GT

vorne/front:



hinten/rear:



1	RN16025	OE. 60671437 BEARING	159.00 EUR
2	RN3000	Radnabe vorne 156,gtv/spider (916)	74.99 EUR

# Lenkung/Steering Nuovo GT



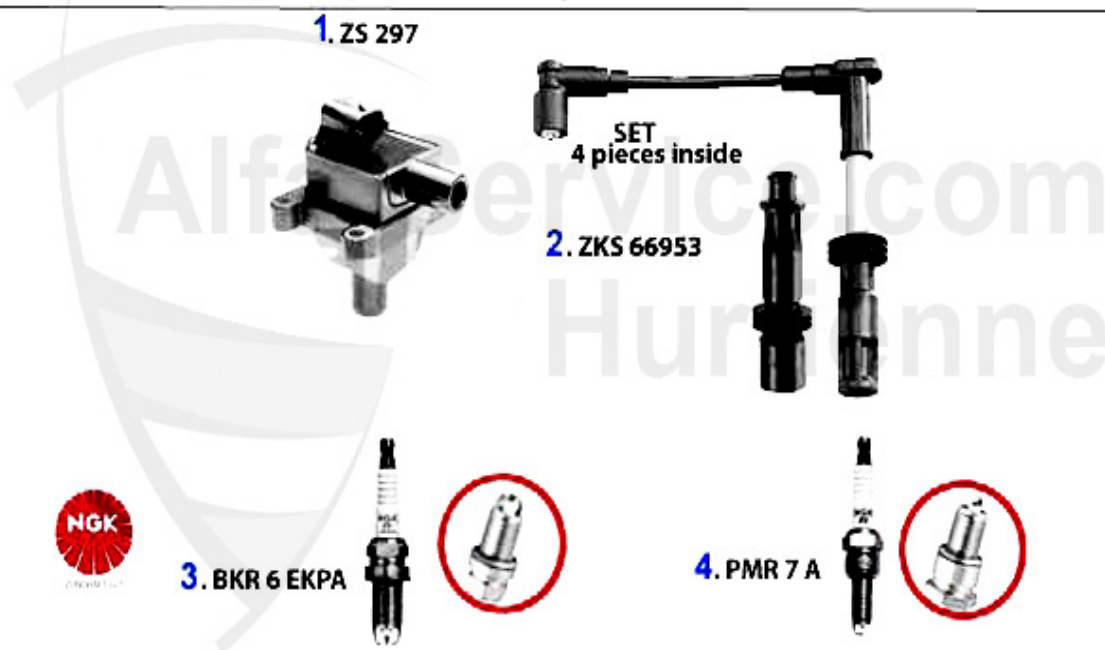
1	SSK1103	Spurstangenkopf links 147,156,166	37.00 EUR
2	SSK1102	Spurstangenkopf rechts 147,156,166	37.00 EUR
3	LMS91005	STEERING BOOT 147/156/166	22.99 EUR

## Nuovo GT > ELECTRIC > FUSE



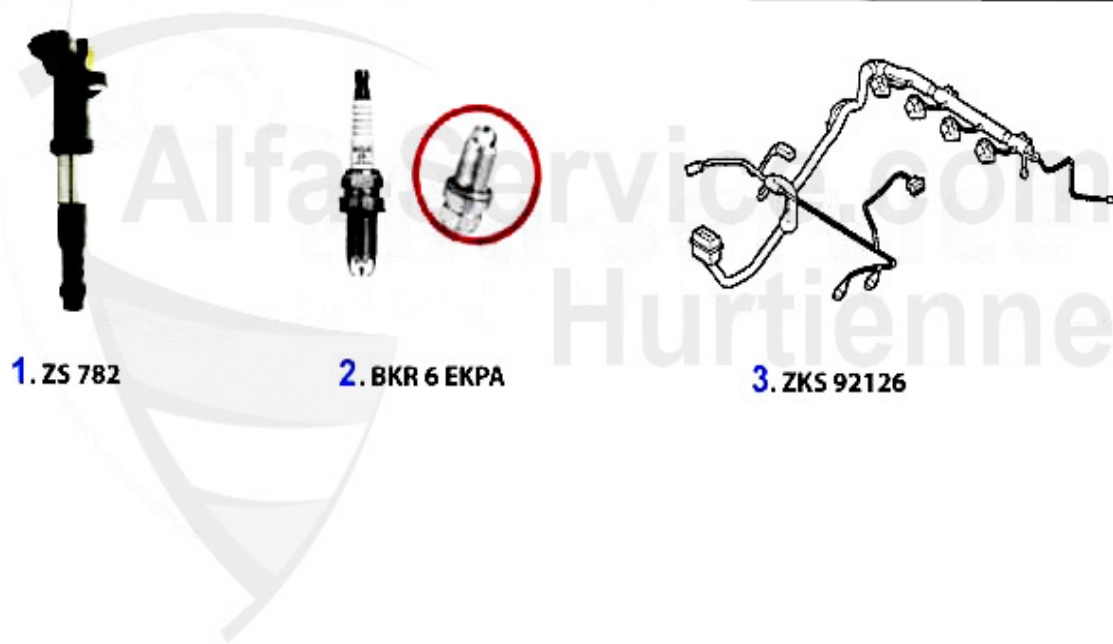
<b>1</b>	<b>FSI075</b>	<b>Flachsteck-Sicherung 7,5 A</b>	<b>0.20 EUR</b>
<b>2</b>	<b>FSI010</b>	<b>Flachsteck-Sicherung 10 A</b>	<b>0.20 EUR</b>
<b>3</b>	<b>FSI020</b>	<b>Flachsteck-Sicherung 20 A</b>	<b>0.20 EUR</b>
<b>4</b>	<b>FSI025</b>	<b>Flachsteck-Sicherung 25 A</b>	<b>0.20 EUR</b>
<b>5</b>	<b>FSI030</b>	<b>Flachsteck-Sicherung 30 A</b>	<b>Preis auf Anfrage</b>

## Zündanlage/Ignition System Nuovo GT 1.8 TS



1	ZS297	IGNITION COIL 147,166,GTV/SPIDER (916) CF 3	94.90 EUR
2	ZKS66953	IGNITION CABLE SET 147, 156, 166, gtv/ spider (916), N	79.00 EUR
3	BKR 6 EKPA	SPARK PLUG 2 X PLATINUM 145/6,147,155 156,166 GTV/SPIDE	27.50 EUR
4	PMR 7 A	Zündkerze NGK Idrium Langzeitkerze 145/6,147,155,156,16	27.50 EUR

## Zündanlage/Ignition System Nuovo GT 2.0 JTS



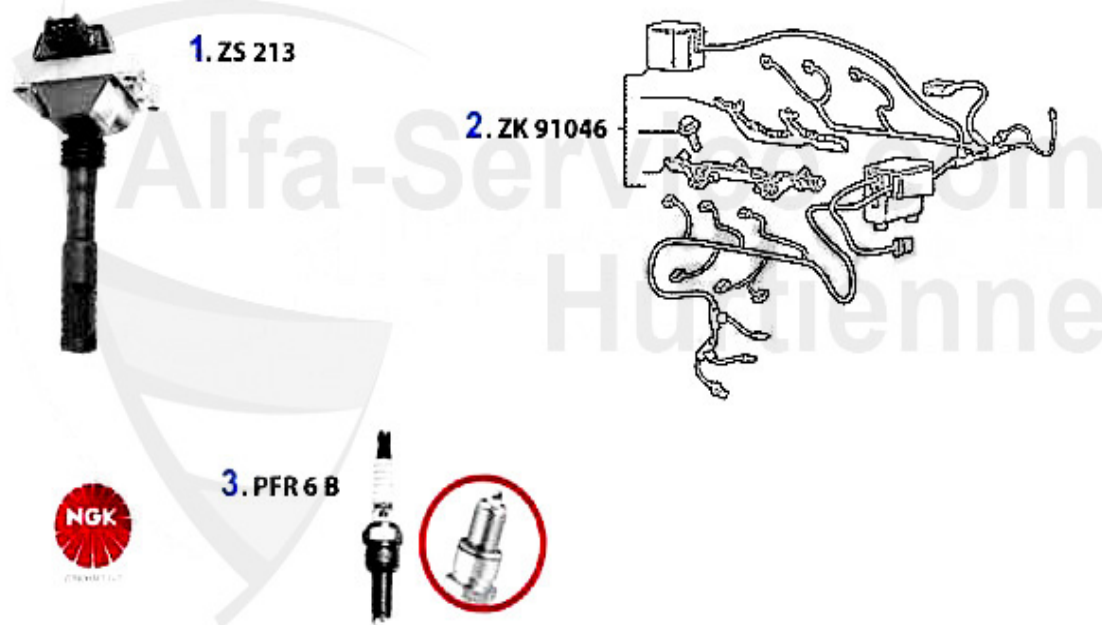
1. ZS 782

2. BKR 6 EKPA

3. ZKS 92126

1	ZS782	OE. 46794782 COIL 2.0 JTS	94.00 EUR
2	BKR 6 EKPA	SPARK PLUG 2 X PLATINUM 145/6,147,155 156,166 GTV/SPIDE	27.50 EUR
3	ZKS92126	OE. 55192126 CABLE HARNESS 2.0 JTS	Preis auf Anfrage

## Zündanlage/Ignition System Nuovo GT GTA



1	ZS213	OE. 60562701 IGNITION COIL 156,164, 166.spider/gtv(916)	109.00 EUR
3	PFR 6 B	Zündkerze NGK 33 1.7 ie 16V,145/6 1 .7 ie 16V,147 3.2 G	19.00 EUR

## Aggregate/Aggregats Nuovo GT 1.8 TS

---

1. AN 19 930



2. LI 82 219



1	AN19930	OE. 55193406 STARTER MOTOR TS 16V/JTS 156 # 1287014>	235.00 EUR
2	LI82219	OE. 46782219 ALTERNATOR 2.0 TS 16V/JTS 2002>	299.00 EUR

## Aggregate/Aggregats Nuovo GT 2.0 JTS

---

1. AN 19 930



2. LI 82 219



1	AN19930	OE. 55193406 STARTER MOTOR TS 16V/JTS 156 # 1287014>	235.00 EUR
2	LI82219	OE. 46782219 ALTERNATOR 2.0 TS 16V/JTS 2002>	299.00 EUR

# Aggregate/Aggregats Nuovo GT GTA

---

1. AN 15 600



2. LI 73 305



2	LI73305	OE. 60673305 ALTERNATOR 3.2 V6 24V - GTA	259.00 EUR
2	LI73305B	OE. 60673305 ALTERNATOR 3.2 V6 24V - GTA	578.99 EUR

# Aggregate/Aggregats Nuovo GT 1.9 JTD

---

1. AN 80 159



2. LI 89 068  
120 A



1	AN80159	OE. 46800159 STARTER MOTOR 1.9 JTD 16V 147	265.70 EUR
2	LI89068	OE. 46809068 ALTERNATOR 1.9 JTD 16V 147	406.24 EUR

Nuovo GT > INTERIOR > CAR MAT



1 FMS GT N

Fußmatten GT Nouvo schwarz/rotes Emblem Tuftvelour,geke

89.00 EUR