

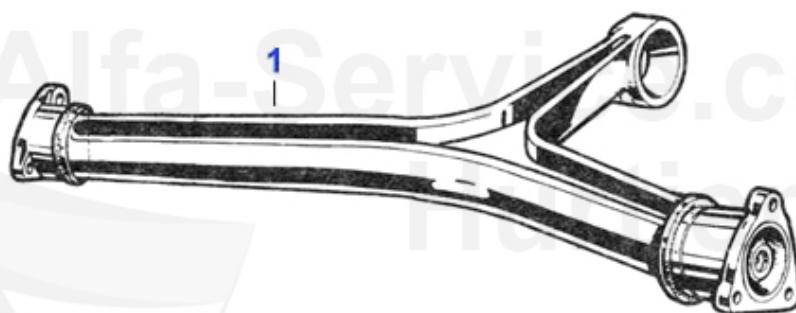
# **Produktkatalog Tuning**

**Alle Preise inkl. 19% MwSt.**

# Table of Contents

<b>TUNING</b> .....	3
ALLUMINIUM T BAR .....	3
BODY .....	4
BRAKES.....	5
clutch.....	6
Electric .....	7
ENGINE .....	8
ENGINE/CARBURETTOR .....	9
FLEXIBLE DISC .....	10
LIMITED SLIP DIFFERENTIAL .....	11
MAIN BEARING / CONNECTING ROD BEARING.....	12
MOTOR/COOLING .....	13
Oil Pan .....	14
SINGLE CARBURETTOR ALUMINIUM .....	15
Sport Exhaust.....	16
Sport Exhaust.....	17
SUSPENSION .....	18
SUSPENSION .....	19
VALVE.....	20
VALVE SPRINGS .....	21

## TUNING > ALLUMINIUM T BAR



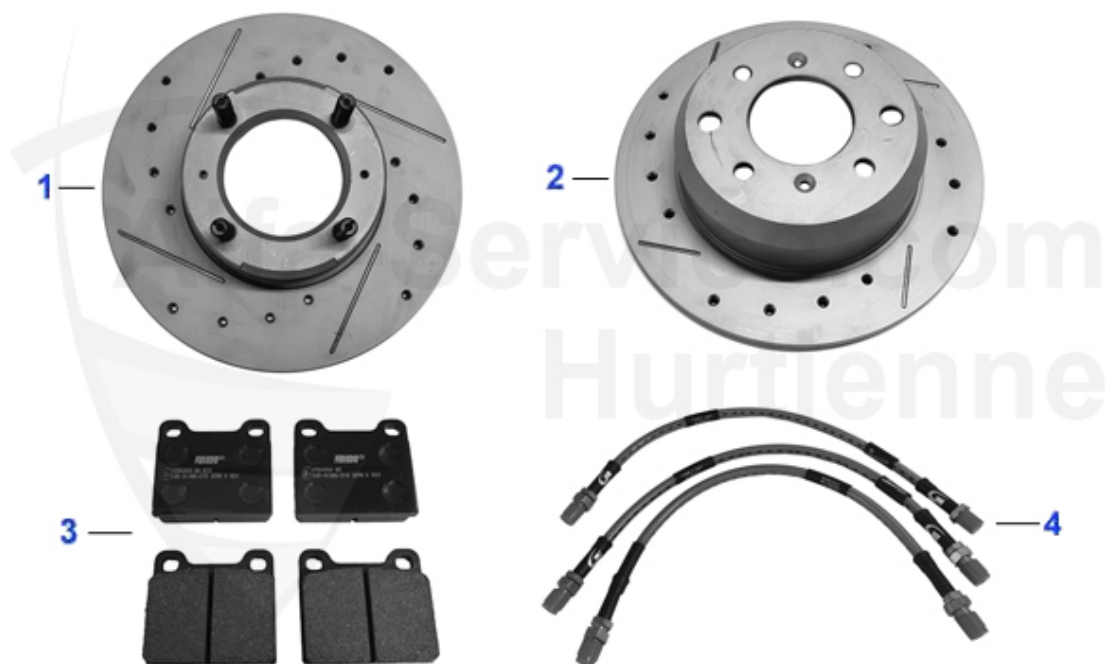
<b>1</b>	<b>12 199 0 0</b>	<b>REACTION TRIANGLE ALUMINIUM WITH BUSHES AND RUBBER CONE</b>	<b>1479.00 EUR</b>
<b>1</b>	<b>12199RA</b>	<b>REACTION TRIANGLE ALUMINIUM WITH BUSHES AND UNIBALL JOI</b>	<b>1190.00 EUR</b>

## TUNING > BODY



1	15 128 0 0	STRENGTHENING PANELS FOR ENGINE COMPARMENT (SET), GT, S	339.00 EUR
2	20 401 2 1	DASHBOARD GTA 1.SERIES FIBERGLASS	629.00 EUR
3	20 401 2 0	DASHBOARD GTAM FIBERGLAS	629.00 EUR
4	15 302 2 0	Motorhaube Kunststoff 1. Serie 6kg	535.50 EUR
4	15 300 2 0	Heckklappe Bertone Kunststoff ohne Emblemvertiefung	416.50 EUR
4	15 299 2 0	BONNET GT 2-ND SERIES FIBERGLASS	Preis auf Anfrage
5	15 313 2 0	GTA FENDER KIT STEPNOSE FRONT AND REAR	949.00 EUR
5	15 301 2 0	GTA-M FENDER KIT, front and rear	949.00 EUR

## TUNING > BRAKES



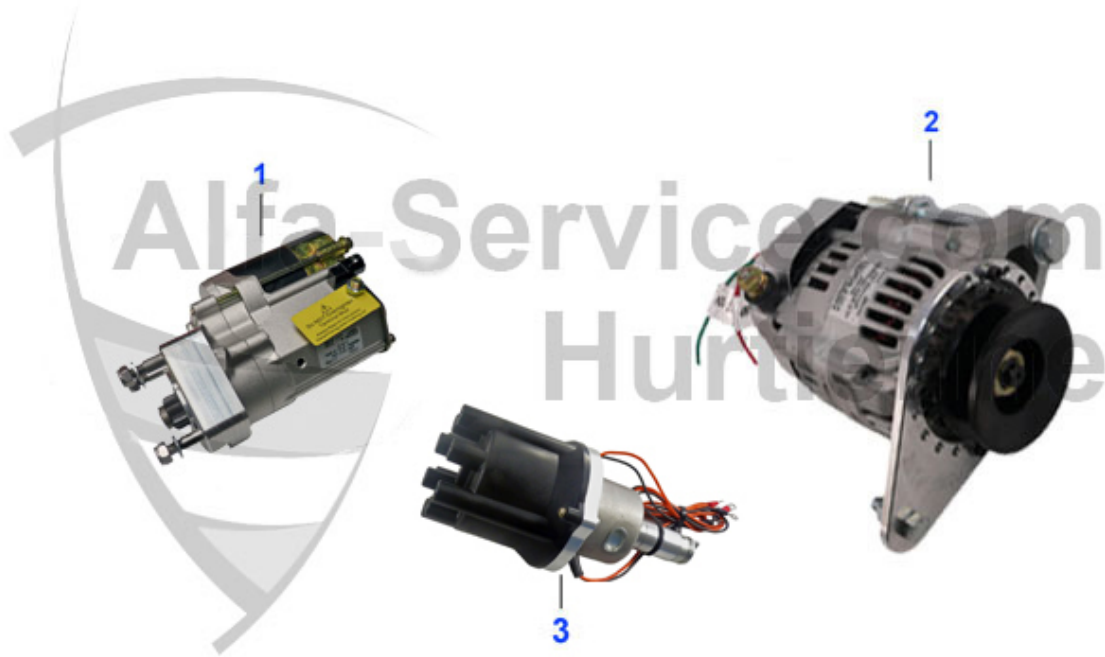
<b>1</b>	<b>13 079 0 0</b>	<b>SPORT BRAKE DISC FRONT 1750-2000 WITH HOLES AND SLITS</b>	<b>115.00 EUR</b>
<b>1</b>	<b>13 078 0 0</b>	<b>SPORT BRAKE DISC FRONT 1300-1600 WITH HOLES AND SLITS</b>	<b>103.99 EUR</b>
<b>2</b>	<b>13 080 0 0</b>	<b>REAR SPORT BRAKE DISC 1300-2000 WITH HOLES AND SLITS</b>	<b>109.00 EUR</b>
<b>3</b>	<b>13 099 0 0</b>	<b>RACING DS2500 REAR BRAKE PADS 1300-2000</b>	<b>139.00 EUR</b>
<b>3</b>	<b>13 098 0 0</b>	<b>FERODO BRAKE PADS FRONT DS 2500 RACING 1750-2000</b>	<b>159.00 EUR</b>
<b>3</b>	<b>13 097 0 0</b>	<b>RACING DS2500 FRONT BRAKE PADS 1300-1600</b>	<b>129.00 EUR</b>
<b>3</b>	<b>13 090 0 0</b>	<b>RACING DS3000 REAR BRAKE PADS 1300-2000</b>	<b>109.00 EUR</b>
<b>3</b>	<b>13 089 0 0</b>	<b>RACING DS3000 FRONT BRAKE PADS 1750-2000</b>	<b>155.00 EUR</b>
<b>3</b>	<b>13 100 00</b>	<b>RACING DS3000 FRONT BRAKE PADS 1300-1600</b>	<b>115.00 EUR</b>
<b>4</b>	<b>SF124603</b>	<b>Stainless steel brake hose set</b>	<b>126.00 EUR</b>

## TUNING > clutch



0	09 039 0 0	CLUTCH HOSE STAHLFLEX FOR GIULIA,GTJ, SPIDER,ALFETTA,GI	45.90 EUR
1	09 058 0 0	RACE CLUTCH WITH 105 TEETH FLYWHEEL, ERGAL PRESSURE DI	1390.00 EUR
2	09 059 0 0	RACE CLUTCH WITH 130 TEETH FLYWHEEL, ERGAL PRESSURE DIS	2249.00 EUR
3	03 275 0 0	Lightw. Steel flywheel 2000, 6 holes WEIGHT 7,0 kg NOT	759.01 EUR
4	03 279 0 0	FLYWHEEL (STEEL) 8 BOLT 110 TEETH, 6,25 KG, NOT FOR MEC	699.60 EUR
5	09 035 0 0	RACING CLUTCH DISC F & S 200 MM WITH TORSION SPRINGS	269.00 EUR
6	09 037 0 0	SACHS RACING CLUTCH DISC organic without torsion spring	389.00 EUR
7	09 050 0 0	RACING SINTER METAL CLUTCH DISK WITH TORSION SPRINGS	205.00 EUR
8	09 052 0 0	GTA CLUTCH KIT, DISK ORGANIC	487.90 EUR
9	09 039 0 0	CLUTCH HOSE STAHLFLEX FOR GIULIA,GTJ, SPIDER,ALFETTA,GI	45.90 EUR

## TUNING > Electric



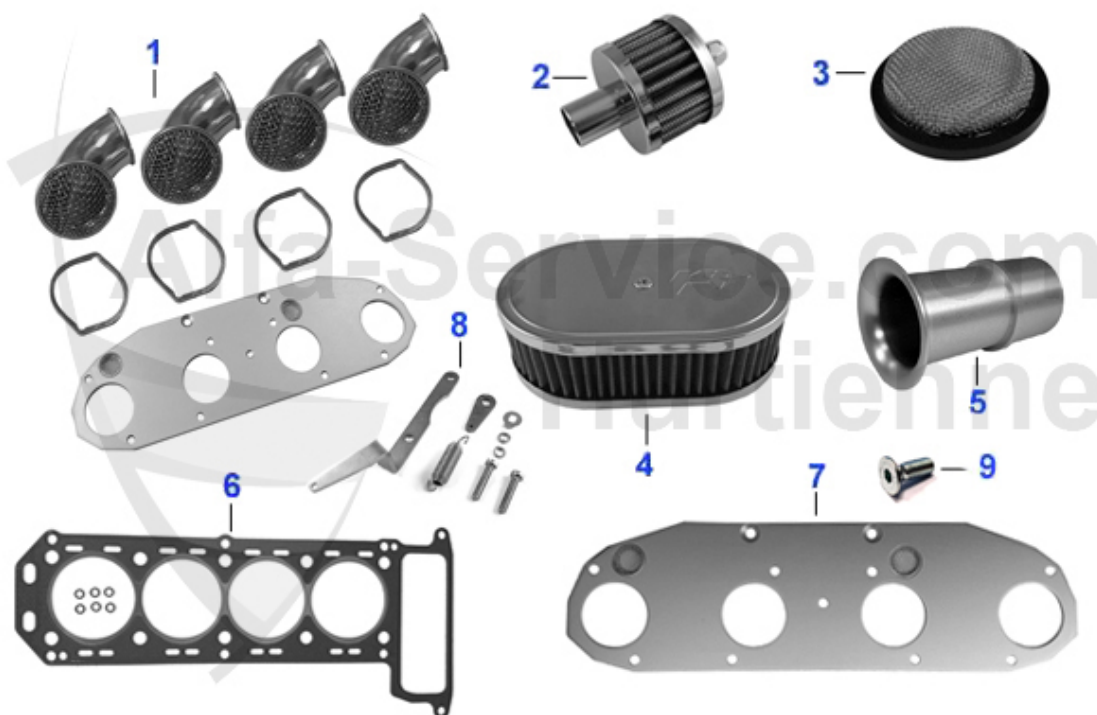
<b>1</b>	<b>14 059 0 0</b>	<b>High performance Startmotor 8 teeth lightweight, geared</b>	<b>Preis auf Anfrage</b>
<b>1</b>	<b>14 044 0 0</b>	<b>HIGH POWER STARTER 9 TEETH (1 KW) huge increase in cran</b>	<b>369.00 EUR</b>
<b>2</b>	<b>14 065 0 0</b>	<b>LIGHTWEIGHT ALTERNATOR FOR CARS FROM 1962-69,ALUMINIUM</b>	<b>725.00 EUR</b>
<b>2</b>	<b>14 204 0 0</b>	<b>LIGHTWEIGHT RACE ALTERNATOR 45A (only 2,85KG) WITH BUIL</b>	<b>379.00 EUR</b>
<b>3</b>	<b>14 233 0 0</b>	<b>DISTRIBUTOR FOR MODIFICATION TO 75/164 TWINS PARK</b>	<b>979.00 EUR</b>

## TUNING > ENGINE



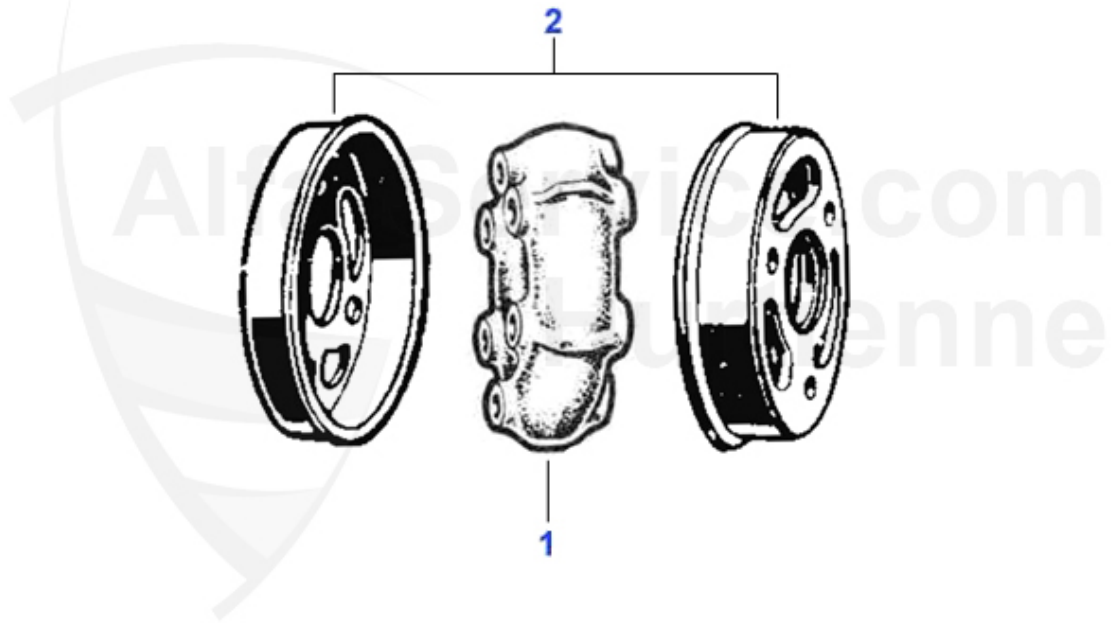
1	06 041 0 0	ALLOY PULLEY 1750-2000 105/115 125mm with 360 DEGREE SC	175.00 EUR
2	06 035 0 0	crank pulley aluminium (105mm)	159.00 EUR
3	03 290 0 0	SPORT CAMSHAFT COLOMBO&BARIANI 1300-2000, Lift=10.9mm,	279.00 EUR
3	03 291 0 0	SPORT CAMSHAFT COLOMBO & BARIANI 1750-2000, hub 12.0mm,	279.00 EUR
4	03 357 0 0	SPIN ON OIL FILTER CONVERSATION KIT COMPLETE WITH OILFI	409.00 EUR
5	07 050 0 0	ELECTRIC FUEL PUMP FROM HARDI, 12V, 0,28-0,35 bar, 100-	147.91 EUR
6	07 040 0 0	LOCKING PLATE FOR FUEL PUM FLANGE, CONVERSION TO ELECTR	24.50 EUR
7	03 248 0 0 R	TIMING CHAIN IWIS RACING 1300 LONG INCL. MASTER LINK	95.00 EUR
7	03 046 0 0 R	TIMING CHAIN IWIS RACING 1750-2000 INCLUDED MASTER LINK	104.90 EUR
7	03 047 0 0 R	TIMING CHAIN IWIS RACING 1300-2000 SHORT ENDLESS	69.00 EUR
7	03 249 0 0 R	IWIS TIMING CHAIN 1600 INCL. CHAIN LOCK RACING VERSION	104.90 EUR
8	03 197 0 0	RACING PISTON 1750 (1 PIECE) INCL. PISTON AND RING 80mm	299.00 EUR
8	03 199 0 0	RACING PISTON 1600 (1 piece)INCL. PISTON AND RING 78mm,	299.00 EUR
8	03 200 0 0	Racing piston (1.pcs) 2000cc 84mm Nord engine, include	315.00 EUR
9	03 140 0 0	PISTON + LINER SET 2000 HIGH COMPRESSION (10.4:1) 3004	578.99 EUR
9	03 210 0 0	PISTON + LINER SET 2000, ALFETTA MOTRONIC, 105 MODELS 2	650.00 EUR

## TUNING > ENGINE/CARBURETTOR



1	01 034 0 0	SET OF RACING FUNNELS FOR 40 MM CARBURETOR	255.01 EUR
2	01 026 0 0	K&N VENTILATION FILTER WITH BOLT TEST	59.50 EUR
3	03 480 0 0	Lufftrichter Filteraufsatz 40 mm Paar ( 2 Stück )	73.99 EUR
4	01 028 0 0	AIRFILTER CHROMED FOR WEBER DCOE 4mm HIGH, 180x115mm	99.00 EUR
4	01 016 0 0	K&N PERFORMANCE AIRFILTER, CHROMED 45mm HIGH	Preis auf Anfrage
5	01 039 0 0	SPUN ALLOY AIR HORNS 55MM 40 D SLIDE IN	55.00 EUR
5	01 041 0 0	SPUN ALLOY AIR HORNS 16MM 45 D SLIDE IN	34.00 EUR
5	03 503 0 0	SPUN ALLOY AIR HORNS 16MM 45 D SLIDE IN	65.00 EUR
6	02 157 0 0	RACE HEAD GASKET 1300 SPESSO 1.6mm	145.00 EUR
6	02 159 0 0	HEAD GASKET RACING 2000,SPESSO 1.6 MM	155.00 EUR
6	02 158 0 0	RACE HEAD GASKET 1600 SPESSO 1.6mm 105, ALFETTA, GIULIE	159.00 EUR
7	01 025 0 0	ALUMINIUM HOLDING PLATE 45mm	115.00 EUR
7	01 024 0 0	ALUMINIUM HOLDING PLATE 40mm	89.00 EUR
8	03 504 0 0	RELEASE SPRING FOR WEBER DCOE KIT	49.50 EUR
9	01 055 0 0	FLAT-HEAD SCREW FOR ALUMINIUM RETAINING PLATE CARBURETT	0.90 EUR

## TUNING > FLEXIBLE DISC



<b>1</b>	<b>05 004 5 0</b>	<b>PROP SHAFT COUPLING HEAVY DUTY 70 SHORE</b>	<b>73.99 EUR</b>
<b>1</b>	<b>05 004 0 R</b>	<b>FRONT PROPSHAFT COUPLING RACING</b>	<b>59.00 EUR</b>
<b>2</b>	<b>05 025 0 0</b>	<b>Hardyscheibenkäfig Aluminium</b>	<b>199.96 EUR</b>

## TUNING > LIMITED SLIP DIFFERENTIAL

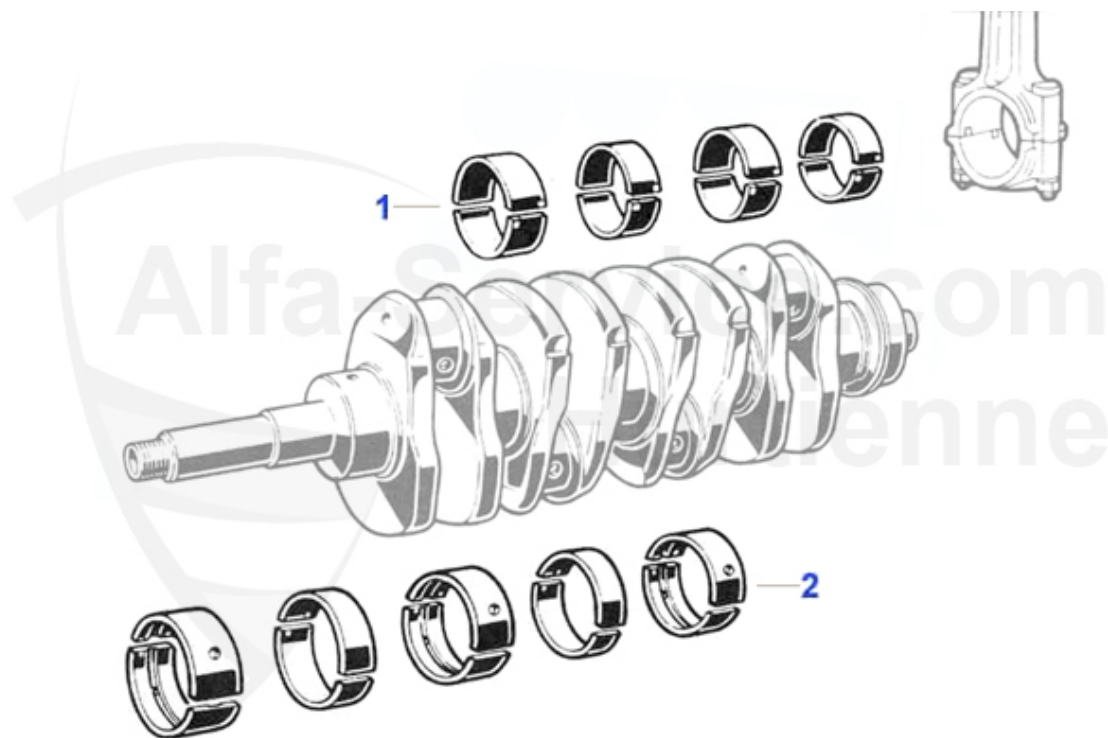


1 12 500 2 0

LIMITED SLIP DIFFERENTIAL, 1300,1600, 1750 FOR SMALL HA

1595.00 EUR

## TUNING > MAIN BEARING / CONNECTING ROD BEARING



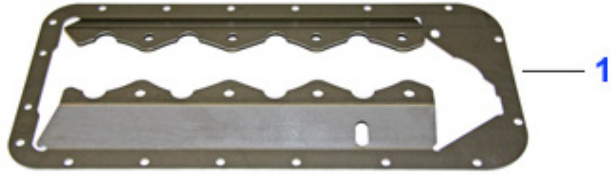
<b>1</b>	<b>03 055 PL</b>	<b>CON ROD BEARINGS SET KING XP RACING 1600-2000cc (STD) 1</b>	<b>119.00 EUR</b>
<b>1</b>	<b>03 063 2 5</b>	<b>CON ROD BEARING SET KING XP RACING 1. OVERSIZE 1600-200</b>	<b>119.00 EUR</b>
<b>2</b>	<b>03 054 H L</b>	<b>MAIN BEARING SET KING XP RACING 1300- 2000cc (STD) 105/</b>	<b>215.00 EUR</b>
<b>2</b>	<b>03 061 2 5</b>	<b>MAIN BEARING SET KING XP RACING 1. OVERSIZE 1300-2000 1</b>	<b>242.00 EUR</b>

## TUNING > MOTOR/COOLING



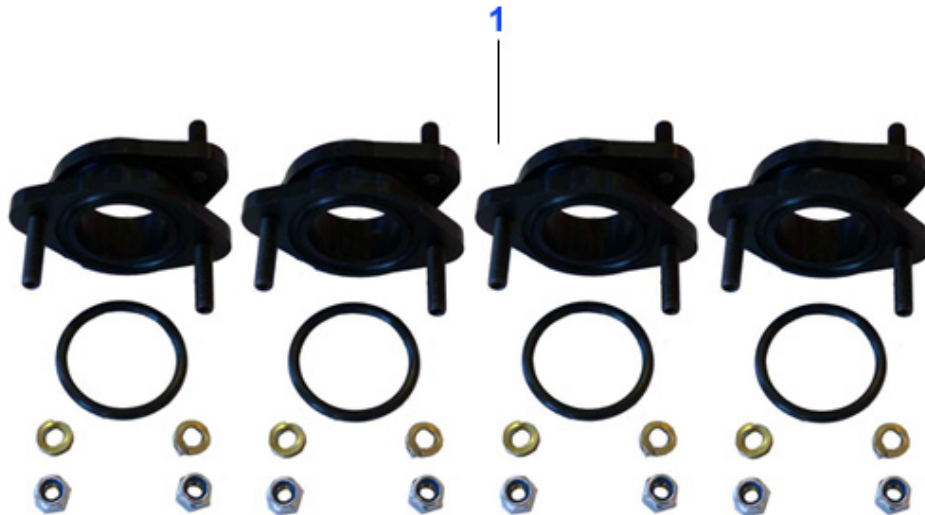
<b>1</b>	<b>14 167 0 0</b>	<b>ADJUSTABLE THERMOSTAT FOR SPAL FAN FOR FITTING TO THE R</b>	<b>39.00 EUR</b>
<b>3</b>	<b>14 170 0 0</b>	<b>SPAL ELECTRIC FAN SUCKING VERSION D=336/305 mm 1460 LIT</b>	<b>99.00 EUR</b>
<b>3</b>	<b>14 171 0 0</b>	<b>ELECTRIC FAN SPAL, BLOWING VERSION D=336/305 mm 1460LIT</b>	<b>99.00 EUR</b>
<b>4</b>	<b>OK33013</b>	<b>Ölkühler 330mm, 13 Reihen</b>	<b>135.01 EUR</b>
<b>5</b>	<b>OXS001</b>	<b>OIL COOLER FITTING KIT</b>	<b>229.00 EUR</b>
<b>6</b>	<b>OK1051</b>	<b>OIL COOLER ADAPTER 1. SERIES</b>	<b>159.00 EUR</b>
<b>7</b>	<b>OK1152</b>	<b>OIL COOLER ADAPTER 2. SERIES</b>	<b>118.00 EUR</b>

## TUNING > Oil Pan



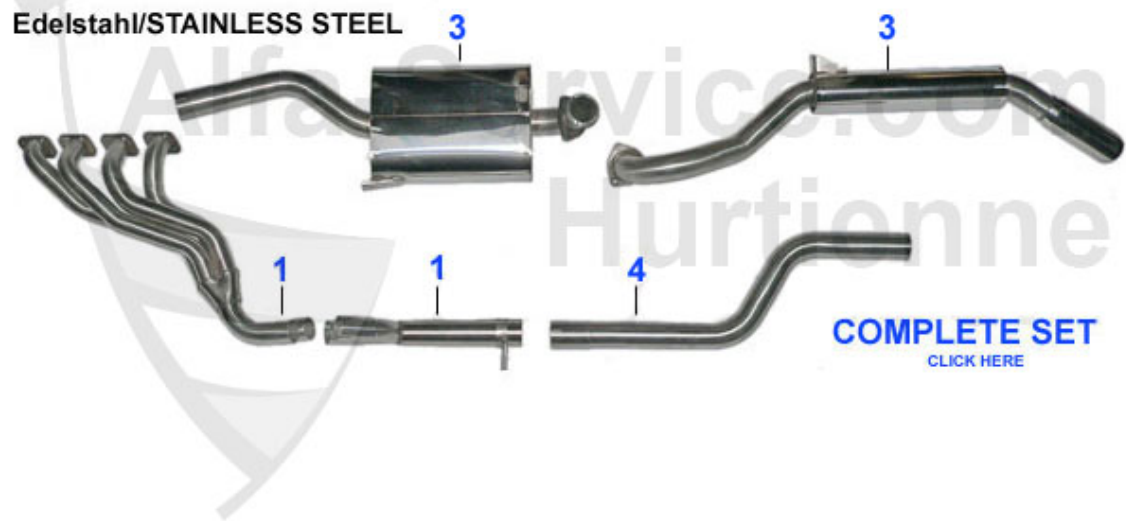
<b>1</b>	<b>03 350 0 0</b>	<b>WINDAGE TRAY/BLOCK STRENGTHENING PLATE 1300-1750</b>	<b>129.00 EUR</b>
<b>1</b>	<b>03 351 0 0</b>	<b>WINDAGE TRAY/BLOCK STRENGTHENING PLATE 2000</b>	<b>129.00 EUR</b>

## TUNING > SINGLE CARBURETTOR ALUMINIUM



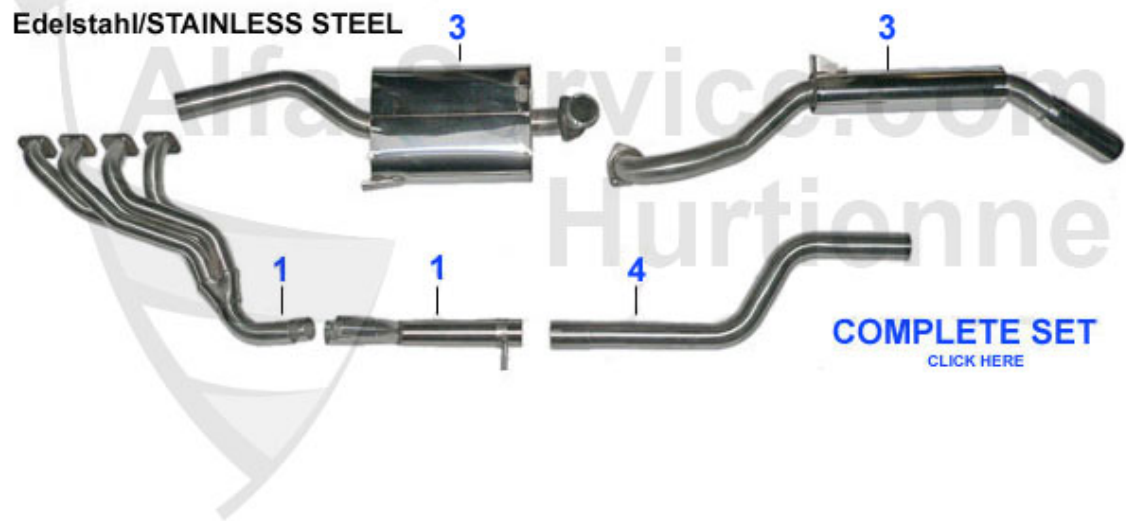
1	02 084 0 0	CARBURATOR MOUNT KIT (4 PCS) ALUMINIUM 40MM TYPE 105,11	189.00 EUR
1	02 088 0 0	SET (4 PCS) RACING SINGLE CARBURETTOR MOUNT 40 MM, 105/	199.00 EUR
1	02 085 0 0	CARBURATOR MOUNT KIT (4 PCS) ALUMINIUM 45MM TYPE 105,11	210.00 EUR

## TUNING > Sport Exhaust



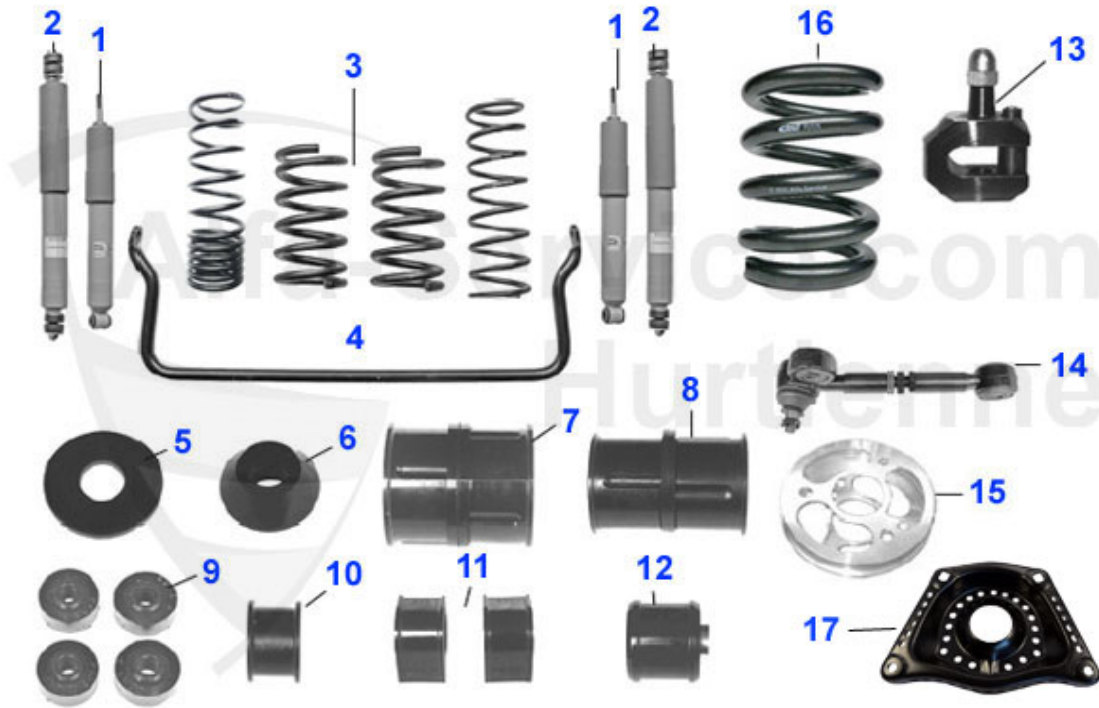
0	11 003 0 0	Fächerkrümmer Edelstahl Sport TS Motor in 105er Karosse	Preis auf Anfrage
0	11 090 0 0	FRONT PIPE SPORT STAINLESS STEEL, REPLACES FRONT MUFFLE	159.00 EUR
0	11 085 0 0	Sport Auspuffanlage 1300-1600r. Giulia und GT Bertone E	1905.00 EUR
0	11 103 0 0	CENTER MUFFLER Giulia 1300, 1600, 1750	249.00 EUR
0	11 100 0 0	MANIFOLD GIULIA,GT STAINLESS STEEL, HANGING PEDALS 1750	Preis auf Anfrage
0	11 084 0 0	SPORT EXHAUST SYSTEM GT BERTONE 1750 - 2000	1890.01 EUR
0	11 082 0 0	STAINLESS STEEL HEADER 40mm 1750-2000 STANDING AND HANG	979.00 EUR
0	11 083 0 0	STAINLESS STEEL HEADER 1300-1600	979.00 EUR
1	11 100 0 0	MANIFOLD GIULIA,GT STAINLESS STEEL, HANGING PEDALS 1750	Preis auf Anfrage
2	11 102 0 0	FRONT MUFFLER GIULIA,GT 1300/1600 HANGING PEDALS	236.81 EUR
2	11 101 0 0	FRONT MUFFLER GT 1750 STANDING PEDALS WITHOUT MOT	259.00 EUR
3	11 103 0 0	CENTER MUFFLER Giulia 1300, 1600, 1750	249.00 EUR
4	11 104 0 0	REAR MUFFLER GIULIA 1300,1600 GT 1750 50mm DIAM. 1970-1	Preis auf Anfrage

## TUNING > Sport Exhaust



<b>1</b>	<b>11 082 0 0</b>	<b>STAINLESS STEEL HEADER 40mm 1750-2000 STANDING AND HANG</b>	<b>979.00 EUR</b>
<b>1</b>	<b>11 083 0 0</b>	<b>STAINLESS STEEL HEADER 1300-1600</b>	<b>979.00 EUR</b>
<b>1</b>	<b>11 003 0 0</b>	<b>Fächerkrümmer Edelstahl Sport TS Motor in 105er Karosse</b>	<b>Preis auf Anfrage</b>
<b>3</b>	<b>11 084 0 0</b>	<b>SPORT EXHAUST SYSTEM GT BERTONE 1750 - 2000 STAINLESS S</b>	<b>1890.01 EUR</b>
<b>3</b>	<b>11 085 0 0</b>	<b>Sport Auspuffanlage 1300-1600r. Giulia und GT Bertone E</b>	<b>1905.00 EUR</b>
<b>4</b>	<b>11 090 0 0</b>	<b>FRONT PIPE SPORT STAINLESS STEEL, REPLACES FRONT MUFFLE</b>	<b>159.00 EUR</b>

## TUNING > SUSPENSION



1	12 005 0 0	SHOCK ABSORBER BILSTEIN HARD GAS PRESSURE YELLOW FRONT	149.00 EUR
1	12 149 0 0	SHOCK ABSORBER KONI YELLOW SPORT ADJUSTABLE FRONT	129.90 EUR
2	12 006 0 0	SHOCK ABSORBER BILSTEIN HARD GAS PRESSURE YELLOW REAR	149.00 EUR
2	12 150 0 0	SHOCK ABSORBER KONI YELLOW SPORT ADJUSTABLE REAR	135.01 EUR
2	12 152 0 0	SHOCK ABSORBER SPAX GAS PRESSURE REAR, ADJUSTABLE	174.95 EUR
3	12 164 0 0	EIBACH LOWERING SET 40 mm SPIDER AND GT Front springs	249.00 EUR
3	12 143 1 0	EIBACH LOWERING SET 40 mm lower, Berlina 1750/2000	455.00 EUR
3	12 163 1 0	EIBACH LOWERING SET 40 mm lower GUILIA - SPIDER 87-93	279.00 EUR
4	12 180 0 0	EIBACH 27mm SPORT ANTI-ROLL BAR	301.00 EUR
5	12 173 S B	POLYURETHANE RUBBER WASHER OUTER PART T-BAR SET OF 2 PC	19.90 EUR
6	12 174 S H	POWERFLEX HERITAGE COLLECTION PU CONE RUBBER REACTION T	25.00 EUR
6	12 174 S B	PU T-BAR CONICAL RUBBER SET	29.90 EUR
7	12 175 S B	PU FRONT TRAILING ARM BUSH SET: 2 PCS.	99.00 EUR
7	12 175 S H	POWERFLEX HERITAGE COLLECTION PU FRONT TRAILING ARM BUS	99.00 EUR
8	12 176 S H	POWERFLEX HERITAGE COLLECTION PU REAR TRAILING ARM BUSH	99.00 EUR
8	12 176 S B	PU REAR TRAILING ARM BUSH SET	99.00 EUR
9	12 177 S B	PU SHOCK ABSORBER RUBBER SET	25.00 EUR
10	12 202 S H	POWERFLEX HERITAGE COLLECTION SIDE BUSHING UPPER SUSPEN	69.00 EUR
10	12 202 S B	PU SIDE BUSHING UPPER SUSPENSION ARM-TIE BAR, SET: 2 PC	69.00 EUR
11	12 179 S B	PU ANTI-ROLL BAR BUSH 27MM, SET ONLY FOR EIBACH SPORT A	25.50 EUR
12	12 203 S B	POWERFLEX BUSHING UPPER SUSPENSION ARM (MOTOR SIDE) SET	62.00 EUR
13	12 181 0 0	GTA Regulierstück Lenkrollradius/ Sturzregulierung	179.00 EUR
14	12 165 0 2	TOP SUSPENSION ARM right adjustable incl. bushings, -M	158.00 EUR
14	12 165 0 1	TOP SUSPENSION ARM left adjustable incl. bushings, -Ma	158.00 EUR
15	05 025 0 0	Harddiscscheidenkäfig Aluminium	199.96 EUR

## TUNING > SUSPENSION



16	12 192 0 0	eibach sport spring lower 40mm front, 350 KG	142.00 EUR
17	12 013 R 0	RACING SPRING PAN 1300-2000 NORD	99.00 EUR
18	12 200 S B	PU STABILIZING RUBBER 24mm SET	26.00 EUR

## TUNING > VALVE

- hartverchromte Schäfte, dadurch haltbarer.
- Schaftdurchmesser +0,02mm über Werksmass, ideal für gelaufene oder leicht verschlissene Führungen.
- Absatz am Schaftende 1,00mm länger, dadurch Ventil problemlos kürzbar ohne Gefahr des Aufsitzens der Plattchen auf den Keilen.
- Ventillänge +0,5mm, ideal bei umgeschliffenen Nockenwellen.
- optimal verwendbar mit 75 TS Federn bis zu einem Ventilhub von 12,00mm, die Federgeometrie sollte wie immer bei schärferen Nockenwellen ausgemessen werden.
- 45° Sitzwinkel, bis zu 10% bessere Durchströmungswerte im höheren Ventilhubbereich in Verbindung mit optimierten Ventil Sitzwinkeln.
- Tellerdurchmesser: 2,0 = 45,0mm 1,6 und 1,8 = 42,5mm
- optimale Ausnutzung der Seriensitze.
- gefertigt nach Grossseriennormen, Hersteller ISO-Certifiziert.
- problemlos umschleifbar auf 30° Sitzwinkel.
- problemlos umarbeitbar für Sonderzwecke, Gr.1 Racing.



- *chromed shafts, hardened for long life.*
- *shaft diameter +0,02 mm over standard size, ideal for use with lightly worn guides.*
- *step at shaft end 1,00 longer so valve can be shortened without any risk of the shim fouling the collet.*
- *valve length +0,5 mm, ideal for reground camshafts.*
- *Ideal for use with 75TS valve springs with a maximum valve lift of 12,00 mm.*
- *Please note: Spring geometry should always be checked when using high lift cams.*
- *-45° valve-seat angle, up to 10% better flow during high valve lift by optimising the valve-seat angles.*
- *Valve base diameter: 2,0 = 45,0 mm 1,6 & 1,8 = 42,5mm*
- *Maximum utilization of valve-seat area.*
- *Strict quality controlled production, manufacturer ISO-accredited.*
- *Grindable to 30° valve-seat angle without problems*
- *Ok for modification for use in Gr. 1 racing*



<b>1</b>	<b>03 481 0 0</b>	<b>INLET VALVE 1,6 1,8 SPORT AND RALLEY 42,5 mm</b>	<b>45.01 EUR</b>
<b>2</b>	<b>03 482 0 0</b>	<b>INLET VALVE 2,0 SPORT AND RALLYE</b>	<b>45.01 EUR</b>
<b>3</b>	<b>03 340 0 0</b>	<b>VALVE SPRING RETAINER, MATERIAL ERGAL 60% LESS WEIGHT T</b>	<b>21.42 EUR</b>

## TUNING > VALVE SPRINGS



<b>1</b>	<b>03 306 0 0</b>	<b>KENT VALVE SPRING SET (16pcs) UPRATED FOR HIGH REV APPL</b>	<b>239.90 EUR</b>
<b>2</b>	<b>03 340 0 0</b>	<b>VALVE SPRING RETAINER, MATERIAL ERGAL 60% LESS WEIGHT T</b>	<b>21.42 EUR</b>