

Produktkatalog 155

Alle Preise inkl. 19% MwSt.

Índice

| | |
|--------------------------------|----|
| 155 | 7 |
| carrocería | 7 |
| retrovisores exteriores..... | 7 |
| alumbrado | 8 |
| piezas carrocería | 9 |
| parachoques/rejillas | 10 |
| el elevalunas | 11 |
| motor..... | 12 |
| el sistema aéreo..... | 12 |
| 1,9 TD..... | 12 |
| bloque motor..... | 13 |
| Camisas + Pistones | 13 |
| 1.7/1.8/2.0 16V | 13 |
| 1.8 TS 16V..... | 14 |
| 2.0 TS 16V..... | 15 |
| 2.0 TS 8V..... | 16 |
| 2.5 V6 | 17 |
| correas..... | 18 |
| TS 8V..... | 18 |
| TS 16V..... | 19 |
| Turbo Q4 16V..... | 20 |
| 2.5 V6 | 21 |
| 1.9 TD..... | 22 |
| 2.5 TD..... | 23 |
| circuito carburante | 24 |
| TS 8V..... | 24 |
| bomba carburante | 24 |
| TS 16V..... | 25 |
| bomba carburante | 25 |
| Turbo Q4 16V..... | 26 |
| bomba carburante | 26 |
| 2.5 V6 | 27 |
| bomba carburante | 27 |
| juntas motor | 28 |
| TS 8V..... | 28 |
| juntas motor | 28 |
| kit juntas motor..... | 29 |
| TS 16V..... | 30 |
| juntas motor..... | 30 |
| kit juntas motor..... | 31 |
| kit juntas motor..... | 32 |
| lote de esparragos culata..... | 33 |
| Turbo Q4 16V..... | 34 |
| juntas motor..... | 34 |
| kit juntas motor..... | 35 |
| kit juntas motor..... | 36 |
| lote de esparragos culata..... | 37 |

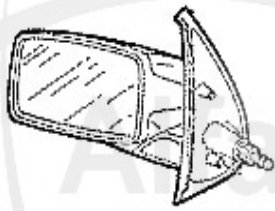
| | |
|--------------------------------|----|
| 2.5 V6 | 38 |
| juntas motor | 38 |
| kit juntas motor..... | 39 |
| kit juntas motor..... | 40 |
| 1.9 TD..... | 41 |
| juntas motor..... | 41 |
| juntas culata | 42 |
| kit juntas motor..... | 43 |
| lote de esparragos culata..... | 44 |
| 2.5 TD..... | 45 |
| juntas motor..... | 45 |
| juntas culata | 46 |
| kit juntas motor..... | 47 |
| lote de esparragos culata..... | 48 |
| circuito agua | 49 |
| TS 8V..... | 49 |
| mangueras..... | 49 |
| radiador agua | 50 |
| bomba agua..... | 51 |
| TS 16V..... | 52 |
| radiador agua | 52 |
| termostato | 53 |
| bomba agua..... | 54 |
| Turbo Q4 16V..... | 55 |
| radiador agua | 55 |
| termostato | 56 |
| bomba agua..... | 57 |
| 2.0 Turbo 4x4 | 58 |
| mangueras..... | 58 |
| 2.5 V6 | 59 |
| radiador agua | 59 |
| termostato | 60 |
| bomba agua..... | 61 |
| 1.9 TD..... | 62 |
| mangueras..... | 62 |
| radiador agua | 63 |
| termostato | 64 |
| bomba agua..... | 65 |
| vaso de expansion..... | 66 |
| 2.5 TD..... | 67 |
| radiador agua | 67 |
| termostato | 68 |
| bomba agua..... | 69 |
| mangueras..... | 70 |
| soportes motor | 71 |
| TS 8V..... | 71 |
| TS16V..... | 72 |
| 2.5 V6 | 73 |
| 1.9 TD..... | 74 |
| 2.5 TD..... | 75 |

| | |
|----------------------------|-----|
| distribución | 76 |
| TS 8V | 76 |
| árboles de levas | 76 |
| cadenas distribucion | 77 |
| válvulas | 78 |
| TS16V | 79 |
| árboles de levas | 79 |
| válvulas | 80 |
| correa dentada | 81 |
| Turbo Q4 16V | 82 |
| árboles de levas | 82 |
| válvulas | 83 |
| correa dentada | 84 |
| 2.5 V6 | 85 |
| válvulas/Nockenwelle | 85 |
| correa dentada | 86 |
| 1.9 TD | 87 |
| árboles de levas | 87 |
| válvulas | 88 |
| correa dentada | 89 |
| 2.5 TD | 90 |
| árboles de levas | 90 |
| válvulas | 91 |
| filtros | 92 |
| TS 8V | 92 |
| TS 16V | 93 |
| Turbo Q4 16V | 94 |
| 2.5 V6 | 95 |
| 1.9 TD | 96 |
| 2.5 TD | 97 |
| escape | 98 |
| escape | 98 |
| TS 8V | 98 |
| TS 16V Bj. >4.96 | 99 |
| TS 16V Bj. 5.96> | 100 |
| Turbo Q4 16V | 101 |
| 2.5 V6 | 102 |
| 1.9 TD | 103 |
| 1.9 TD Kat. | 104 |
| 2.5 TD | 105 |
| versiones \"Sport\" | 106 |
| TS 8V | 106 |
| TS 16V Bj. 5.96> | 107 |
| 2.5 V6 | 108 |
| sonda Lambda | 109 |
| TS 8V | 109 |
| TS 16V Bj. >4.96 | 110 |
| TS 16V Bj. 5.96> | 111 |
| Turbo Q4 16V | 112 |
| 2.5 V6 | 113 |

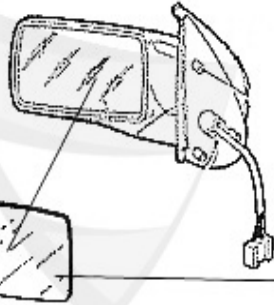
| | |
|--|-----|
| 2.5 TD..... | 114 |
| transmision..... | 115 |
| eje transmisi3n..... | 115 |
| TS 8V..... | 115 |
| TS 16V Bj. >4.96..... | 116 |
| TS 16V Bj. 5.96>..... | 117 |
| 2.5 V6..... | 118 |
| 1.9 TD..... | 119 |
| 2.5 TD..... | 120 |
| embrague..... | 121 |
| kit embrague TS 8V..... | 121 |
| guia cojinete de empuje TS 8V..... | 122 |
| kit embrague TS 16V Bj. >4.96..... | 123 |
| guia cojinete de empuje TS 16V Bj. >4..... | 124 |
| kit embrague TS 16V Bj. 5.96>..... | 125 |
| guia cojinete de empuje TS 16V Bj. 5..... | 126 |
| kit embrague Turbo Q4 16V..... | 127 |
| kit embrague 2.5 V6..... | 128 |
| guia cojinete de empuje 2.5 V6..... | 129 |
| kit embrague 1.9 TD..... | 130 |
| guia cojinete de empuje 1.9 TD..... | 131 |
| kit embrague 2.5 TD..... | 132 |
| guia cojinete de empuje 2.5 TD..... | 133 |
| mando embrague..... | 134 |
| TS 8V..... | 134 |
| TS 16V Bj. >4.96..... | 135 |
| TS 16V Bj. 5.96>..... | 136 |
| Turbo Q4 16V..... | 137 |
| 2.5 V6..... | 138 |
| 1.9 TD..... | 139 |
| 2.5 TD..... | 140 |
| frenado..... | 141 |
| discos de freno..... | 141 |
| pastillas del..... | 142 |
| pastillas tras..... | 143 |
| pinzas delanteras (mod.gasolina)..... | 144 |
| pinzas delanteras (mod.diesel)..... | 145 |
| pinzas tras..... | 146 |
| bomba de freno/servo..... | 147 |
| latiguillos..... | 148 |
| cable de freno de mano..... | 149 |
| suspension..... | 150 |
| amortiguadores TS 8V..... | 150 |
| amortiguadores TS 16V..... | 151 |
| amortiguadores Turbo Q4 16V..... | 152 |
| amortiguadores 2.5 V6..... | 153 |
| amortiguadores 1.9 TD..... | 154 |
| amortiguadores 2.5 TD..... | 155 |
| suspension delantera..... | 156 |
| rodamientos de rueda TS 8V..... | 157 |

| | |
|---|-----|
| rodamientos de rueda TS 16V | 158 |
| rodamientos de rueda Turbo Q4 16V | 159 |
| rodamientos de rueda 2.5 V6..... | 160 |
| rodamientos de rueda 1.9 TD | 161 |
| rodamientos de rueda 2.5 TD | 162 |
| direccion | 163 |
| piezas dirección | 163 |
| electricidad..... | 164 |
| fusible | 164 |
| electricidad motor | 165 |
| bujía de incandescencia | 165 |
| sensores..... | 166 |
| encendido TS 8V | 167 |
| encendido TS 16V | 168 |
| encendido Q4..... | 169 |
| encendido 2.5 V6..... | 170 |
| alternador/motor de arranque TS 8V | 171 |
| alternador/motor de arranque TS 16V | 172 |
| alternador/motor de arranque Q4..... | 173 |
| alternador/motor de arranque 2.5 V6..... | 174 |
| alternador/motor de arranque 1.9 TD | 175 |
| alternador/motor de arranque 2.5 TD | 176 |
| sistema limpia parabrisas | 177 |
| sistema limpia parabrisas | 177 |

Aussenspiegel/Mirror 155



- 1. ASP 84080
links/left manuell
- 2. ASP 85080
rechts/right manuell



- 3. ASP 01033
links/left electr.
>1996

- 4. ASP 01034
rechts/right electr.
>1996

- 5. ASP 33099
links/left electr.
1996>

- 6. ASP 72099
rechts/right electr.
1996>

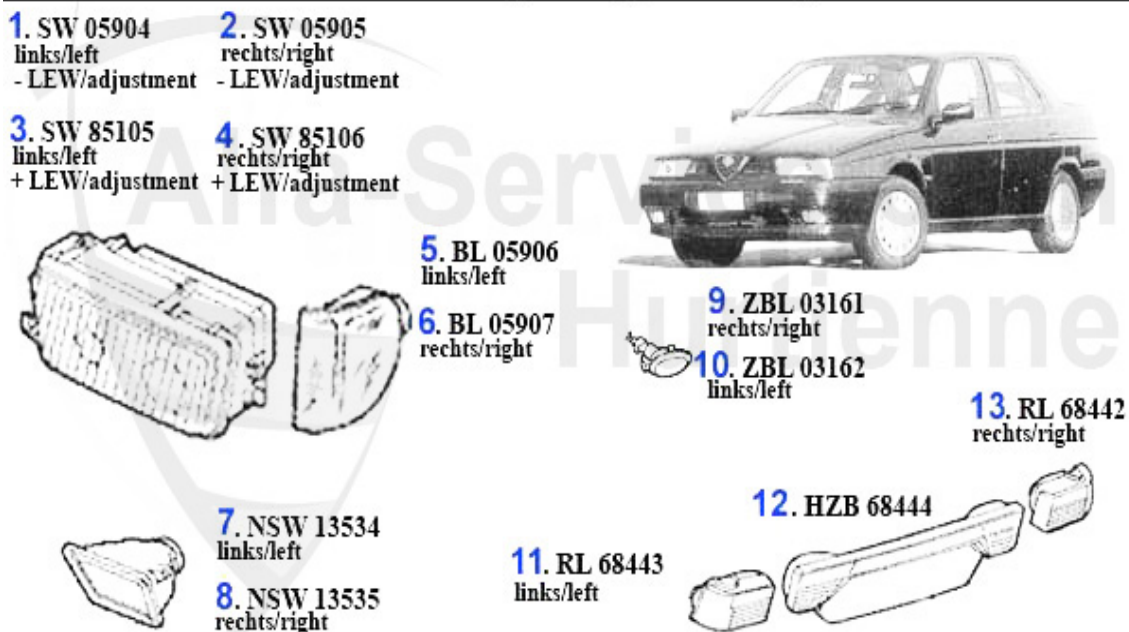
- 8. ASP 78353
links/left

- 9. ASP 78352
rechts/right

3 ASP01033 retro ect. izq. 155 >96 electrico

295.00 EUR

Beleuchtung/Lighting 155



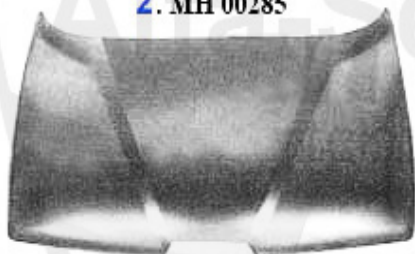
| | | | |
|----|----------|---|-------------------|
| 1 | SW05904 | faro izq. 155 (ajuste manual) | 142.60 EUR |
| 2 | SW05905 | faro der. 155 (ajuste manual) | 142.60 EUR |
| 3 | SW85105 | faro izq. 155 (ajuste electrico) | 189.78 EUR |
| 4 | SW85106 | faro der. 155 (ajuste electrico) | 189.78 EUR |
| 7 | NSW13534 | anti-niebla izq. 155 | 56.42 EUR |
| 8 | NSW13535 | anti-niebla der. 155 | 56.42 EUR |
| 9 | ZBL03161 | intermitente lateral der. 145/6,155, gtv/spider (916) | Preis auf Anfrage |
| 10 | ZBL03162 | intermitente lateral izq. 145/6,155, gtv/spider (916) | Preis auf Anfrage |

Karosserieteile/Body Parts 155

1. GF 9093
Gasfeder Motorhaube/
gasspring engine bonnet



2. MH 00285



7. GF 8429
Gasfeder Heckklappe/
gasspring back door
- spoiler



8. GF 8432
Gasfeder Heckklappe/
gasspring back door
+ spoiler

3. KF 02103
links/left
> 1996

4. KF 02104
rechts/right
> 1996



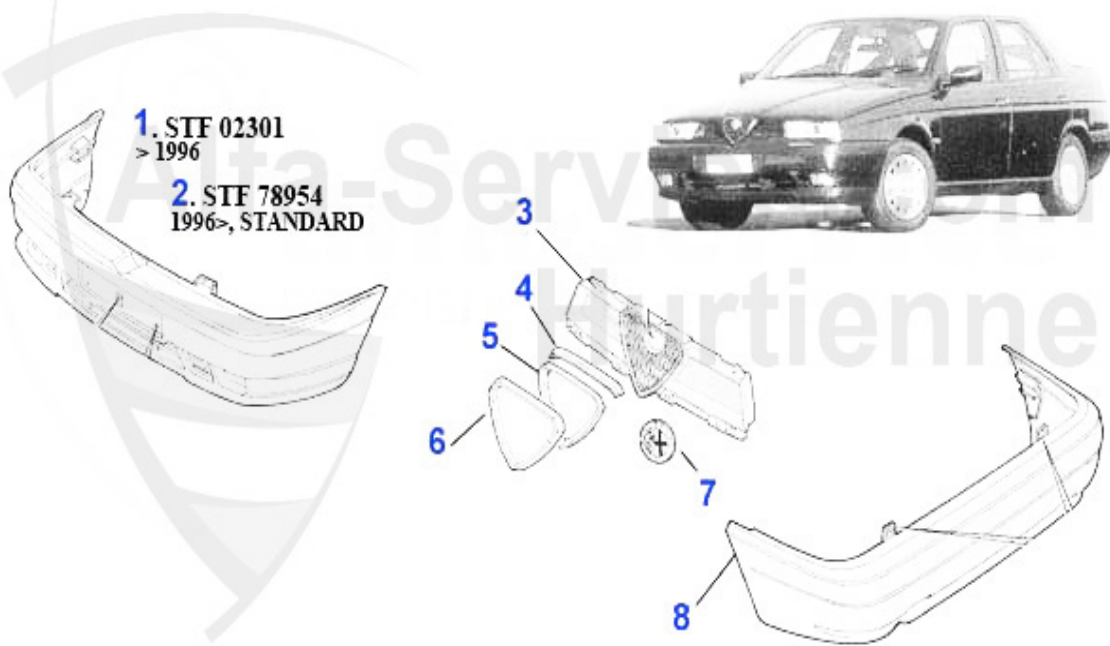
5. KF 02105
links/left
1996>

6. KF 02106
rechts/right
1996>



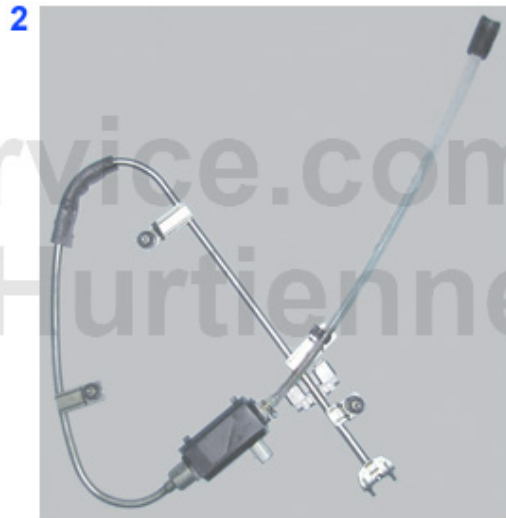
| | | | |
|----------|----------------|---|-------------------|
| 1 | GF9093 | muelle neumático capo motor 155 | 39.50 EUR |
| 2 | MH00285 | capo motor 155 | 306.73 EUR |
| 3 | KF02103 | aleta del. izq. 155 >4.95 | 133.36 EUR |
| 4 | KF02104 | aleta del. der. 155 >4.95 | 133.36 EUR |
| 5 | KF02105 | aleta izq. 155 4.95 | 143.51 EUR |
| 6 | KF02106 | aleta der. 155 4.95 | 143.51 EUR |
| 7 | GF8429 | muelle neumático capo mateletero 155 con Spoiler | 29.64 EUR |
| 8 | GF8432 | muelle neumático capo mateletero 155 sin Spoiler | 29.64 EUR |

Stoßstangen/Bumpers 155



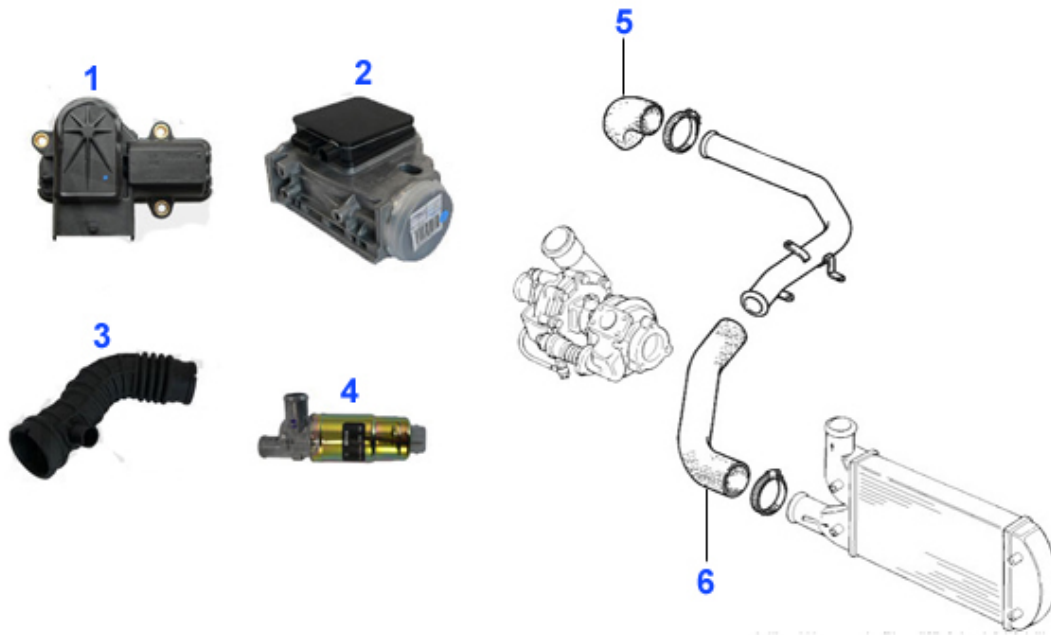
| | | | |
|---|------------|---|-------------------|
| 1 | STF02301 | Stoßfänger vorne 155 Bj. >4.95 | 255.45 EUR |
| 2 | STF78954 | parachoques delantero 155 8.95> para versiones Standard | Preis auf Anfrage |
| 3 | KG77794 | rejilla 155 | 70.00 EUR |
| 4 | KG72984 | goma corazon de rejilla 155 | 12.21 EUR |
| 7 | 23 033 3 0 | Alfa emblema 75 mm metal, 33,75,145/6, 155,156,164,166, | 26.50 EUR |
| 7 | 23 038 0 0 | Alfa Emblem 75mm Metall 33,75,145/6,155,156,164,166 115 | 19.00 EUR |
| 8 | STF78957 | parachoques trasero 155 | Preis auf Anfrage |

155 > carroceria > el elevalunas



| | | | |
|---|----------|---------------------------|------------|
| 1 | FH010118 | elevalunas del. der. 155 | 123.00 EUR |
| 1 | FH010119 | elevalunas del. izq. 155 | 123.00 EUR |
| 2 | FH010120 | elevalunas tras. der. 155 | 198.99 EUR |
| 2 | FH010121 | elevalunas tras. izq. 155 | 198.99 EUR |

155 > motor > el sistema aéreo > 1,9 TD



| | | | |
|---|----------|---|-------------------|
| 1 | LR13829 | Leerlauf-Regler/Stellelement f. Drosselklappe 145/6, 15 | Preis auf Anfrage |
| 2 | LMM69704 | Luftmengenmesser 155, 164/Super 2.0 TS 8 V | 545.00 EUR |
| 3 | LMM07008 | Luftmengenmesser 145/6 bis99/155 bis97/156 bis02/Sp.+GT | 348.99 EUR |
| 4 | LR37024 | Leerlauf-Regler 155,164,gtv/spider (916) Bosch | Preis auf Anfrage |
| 5 | KWS31298 | Ladeluftschlauch am Turbolader 145/146/155 1,9 TD | 45.65 EUR |
| 6 | KWS60171 | Kühlwasserschlauch zum Ladeluftkühl er 155 1.9 TD | 21.85 EUR |

155 > motor > bloque motor > Camisas + Pistones > 1.7/1.8/2.0 16V



1 KB4062

Kolben mit Buchse 155 1.7/1.8/2.0 T S 16V

159.00 EUR

155 > motor > bloque motor > Camisas + Pistones > 1.8 TS 16V



1 KB24126

piston 145/6,155,156,GTV/Spider (916) 1.8 TS 16V (AR323

159.01 EUR

155 > motor > bloque motor > Camisas + Pistones > 2.0 TS 16V



| | | |
|-----------|--|------------|
| 1 KB24100 | Kolben 145,146,147,155,156,166 2.0 TS 16V (AR16201/3230) | 184.45 EUR |
|-----------|--|------------|

155 > motor > bloque motor > Camisas + Pistones > 2.0 TS 8V



| | | | |
|---|---------|--|------------|
| 1 | KB2421 | Kolben mit Buchse 2.0 TS 8V 155, 164 | 179.00 EUR |
| 2 | KR46450 | anillo de piston 75,155,164 2.0 TS 145/6 1.6 TS 8V (po | 150.00 EUR |



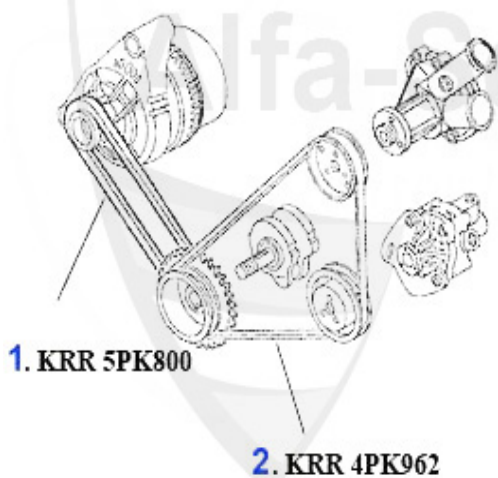
1 KB4045

Kolben mit Buchse 6,75,90,155 Alfetta/GTV 6 2.5 V6 Bj.

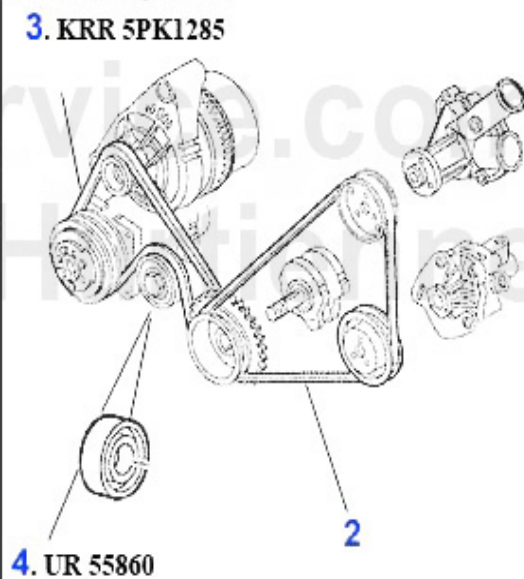
179.00 EUR

Keilriemen/V-Belt 155 TS 8V

ohne/without
Klimaanlage/AC:



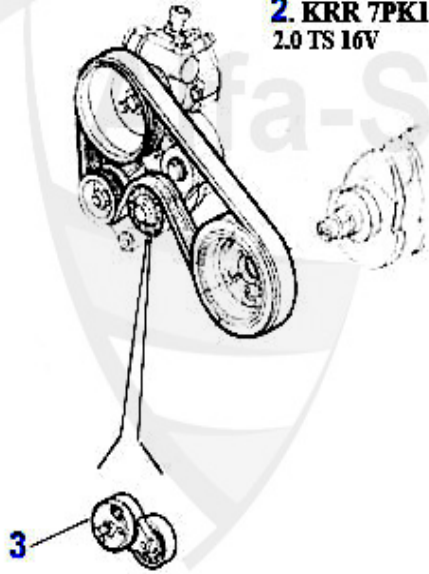
mit/with
Klimaanlage/AC:



| | | | |
|----------|-------------------|---|------------------|
| 1 | KRR5PK800 | correa dentada 5PK800 155 1.7/1.8/2.0TS 8V,164 Super 2. | 14.88 EUR |
| 2 | KRR4PK962 | correa dentada 4PK962 155 1.7/1.8/2.0 TS 164 Super 2.0 | 19.90 EUR |
| 3 | KRR5PK1285 | correa dentada 5PK1285 155 1.7/1.8/2.0 TS, 164 Super 2. | 22.05 EUR |
| 4 | UR55860 | rodillo correa dentada 145/6,155,164, | 23.80 EUR |

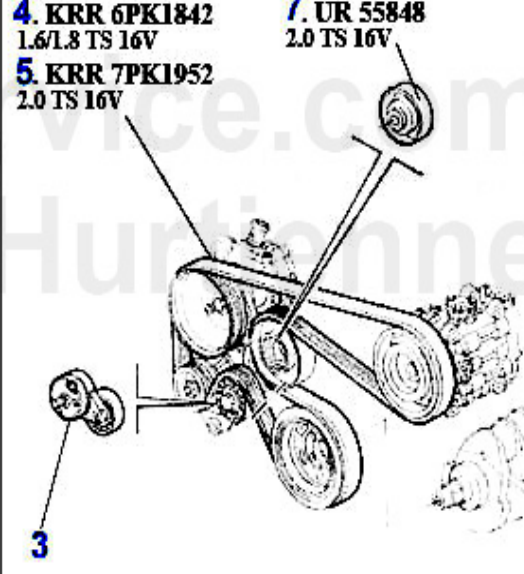
Keilrippenriemen 155 TS 16V

ohne/without
Klimaanlage/AC:



- 1. KRR 6PK1045**
1.6/1.8 TS 16V
- 2. KRR 7PK1083**
2.0 TS 16V

mit/with
Klimaanlage/AC:

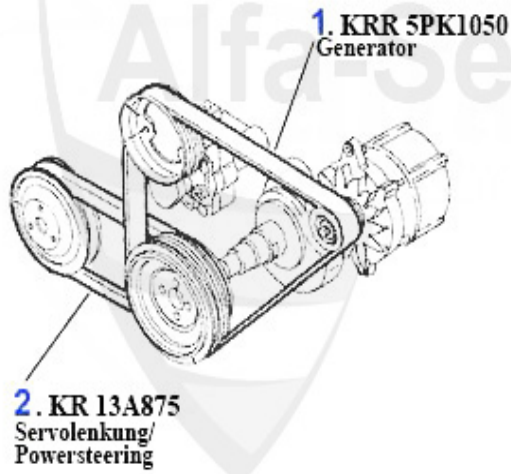


- 4. KRR 6PK1842**
1.6/1.8 TS 16V
- 5. KRR 7PK1952**
2.0 TS 16V
- 6. UR 55849**
1.6/1.8 TS 16V
- 7. UR 55848**
2.0 TS 16V

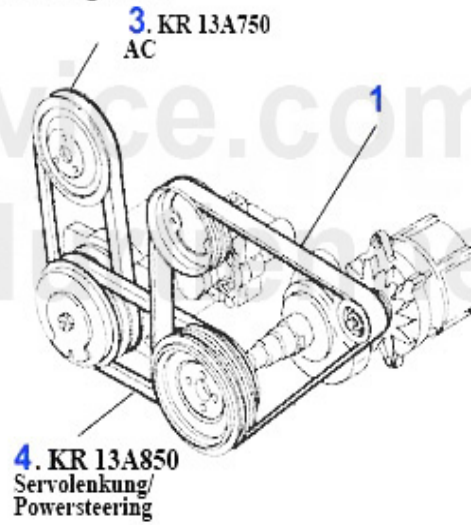
| | | | |
|----------|-------------------|--|------------------|
| 1 | KRR6PK1045 | correa dentada 6PK1045 145/6 97>, 155,156,gtv&spider (9) | 20.00 EUR |
| 2 | KRR7PK1083 | correa dentada 7PK1083 145/6, 155,156, 166, gtv/spider | 35.90 EUR |
| 3 | SPA55863 | brazo tensor correa dentada 145/6/7, 155/6,166,916 vari | 45.51 EUR |
| 4 | KRR6PK1842 | correa dentada 6PK1842 145/6 1.8 TS con A/C,155 1.6/1.8 | 30.73 EUR |
| 5 | KRR7PK1952 | correa dentada 7PK1952 145/6,155, gtv/spider (916) 2.0 | 52.50 EUR |
| 6 | UR55849 | rodillo correa dentada 145/6/7,155/6, gtv/spider (916) | 34.00 EUR |
| 7 | UR55848 | rodillo correa dentada 145/6/7,155/6, gtv/spider (916) 2 | 55.00 EUR |

Keil-/Keilrippenriemen 155 Turbo Q4

ohne/without
Klimaanlage/AC:



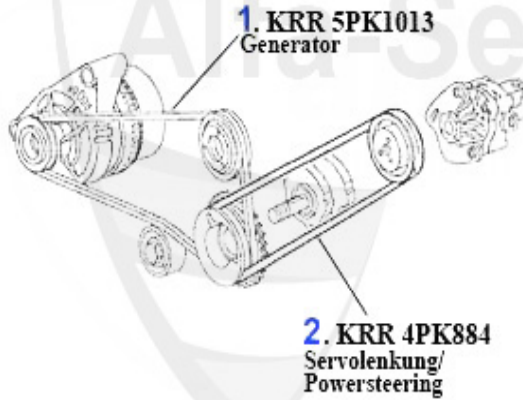
mit/with
Klimaanlage/AC:



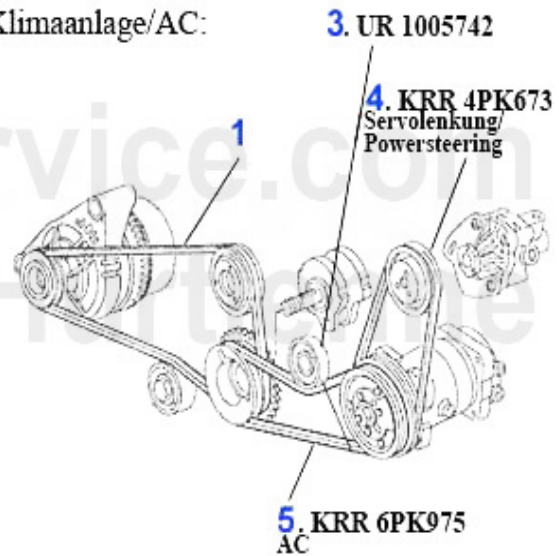
| | | | |
|---|------------|---|-----------|
| 1 | KRR5PK1050 | correa dentada 5PK1050 155 2.0 Turbo bomba aqua/alterna | 22.05 EUR |
| 2 | KR13A875 | correa 12.5x875 155 Turbo bomba DA | 14.32 EUR |
| 3 | KR13A750 | correa 12.5x750 155 Turbo bomba DA (con A/C) | 13.28 EUR |
| 4 | KR13A850 | correa 12.5x850 75,90,144 4 cyl. compresor A/C | 15.34 EUR |

Keilriemen/V-Belt 155 2.5 V6

ohne/without
Klimaanlage/AC:



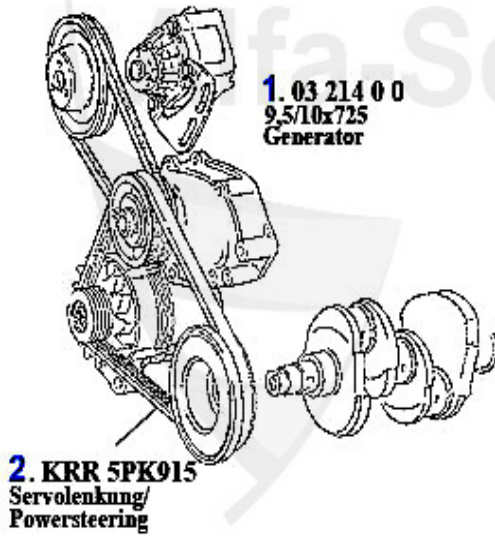
mit/with
Klimaanlage/AC:



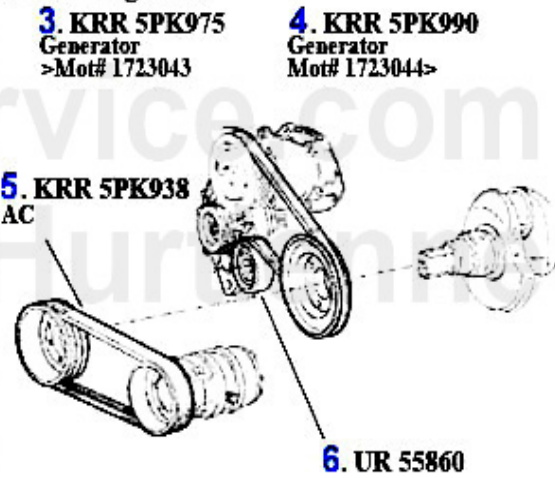
| | | | |
|---|------------|---|------------|
| 1 | KRR5PK1013 | correa dentada 5PK1013 155 2.5 V6 10.92-12.97 spider/gt | 19.90 EUR |
| 2 | KRR4PK884 | correa dentada 4PK884 155 2.5 V6 bomba DA | 12.21 EUR |
| 3 | UR1005742 | rodillo correa dentada 155,164 Super, gtv/Spider (916) | 175.00 EUR |
| 5 | KRR6PK975 | correa dentada 6PK975 155 2.5 V6 gtv/spider (916) V6, c | 26.50 EUR |

Keilriemen/V-Belt 155 1.9 TD

ohne/without
Klimaanlage/AC:



mit/with
Klimaanlage/AC:



| | | | |
|----------|-------------------|---|------------------|
| 1 | 03 214 0 0 | correa 9,5 x 725 | 11.00 EUR |
| 2 | KRR5PK915 | correa dentada 5PK915 145/6 1.9 TD, a partir du motor # | 15.59 EUR |
| 3 | KRR5PK975 | correa dentada 5PK975 145/6,155,1.9 TD #1723043 alterna | 16.36 EUR |
| 4 | KRR5PK990 | correa dentada 5PK990 145/6,155 1.9 TD a partir du moto | 16.72 EUR |
| 5 | KRR5PK938 | correa dentada 5PK938 145/6,155, 1.9 TD compresor A/C | 15.28 EUR |
| 6 | UR55860 | rodillo correa dentada 145/6,155,164, | 23.80 EUR |

155 > motor > correas > 2.5 TD

| | | | |
|----------|-------------------|--|-------------------|
| 1 | KRR7PK1730 | correa dentada 7PK1730 155,164 Super 2.5 TD 09.92-09.98 | 69.00 EUR |
| 2 | UR107648 | rodillo correa dentada 155/164 Super 2.5 TD | 102.08 EUR |
| 3 | RS56007 | tensor correa/cilindro 155/164 Super 2.5 TD | 238.00 EUR |

155 > motor > circuito carburante > TS 8V > bomba carburante



| | | | |
|---|------------|--|------------|
| 1 | KP6195 | bomba carburante 155, 164/Super TS/V6/ 16V/24V/ | 219.00 EUR |
| 1 | 07 039 0 0 | goma para bomba de gasolina eléctrica Spider 90,33ie,75, | 10.90 EUR |

155 > motor > circuito carburante > TS 16V > bomba carburante

Kraftstoffpumpe/Fuel Pump 155 TS 16V



| | | | |
|---|------------|--|-----------|
| 1 | KP6416 | bomba carburante 145/6,155,gtv/spider (916) Boxer/TS 16 | 95.00 EUR |
| 1 | 07 039 0 0 | goma para bomba de gasolina eléctrica Spider 90,33ie,75, | 10.90 EUR |

155 > motor > circuito carburante > Turbo Q4 16V > bomba carburante



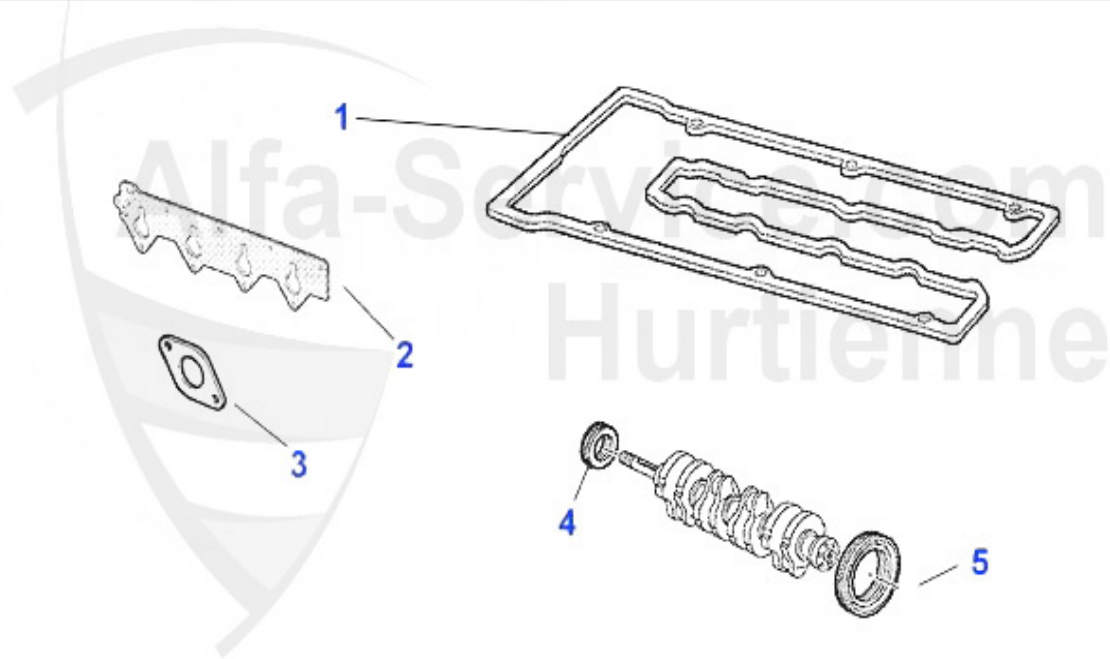
| | | | |
|---|------------|--|------------|
| 1 | KP6195 | bomba carburante 155, 164/Super TS/V6/ 16V/24V/ | 219.00 EUR |
| 1 | 07 039 0 0 | goma para bomba de gasolina eléctrica Spider 90,33ie,75, | 10.90 EUR |

155 > motor > circuito carburante > 2.5 V6 > bomba carburante



| | | | |
|---|------------|--|------------|
| 1 | KP6195 | bomba carburante 155, 164/Super TS/V6/ 16V/24V/ | 219.00 EUR |
| 1 | 07 039 0 0 | goma para bomba de gasolina eléctrica Spider 90,33ie,75, | 10.90 EUR |

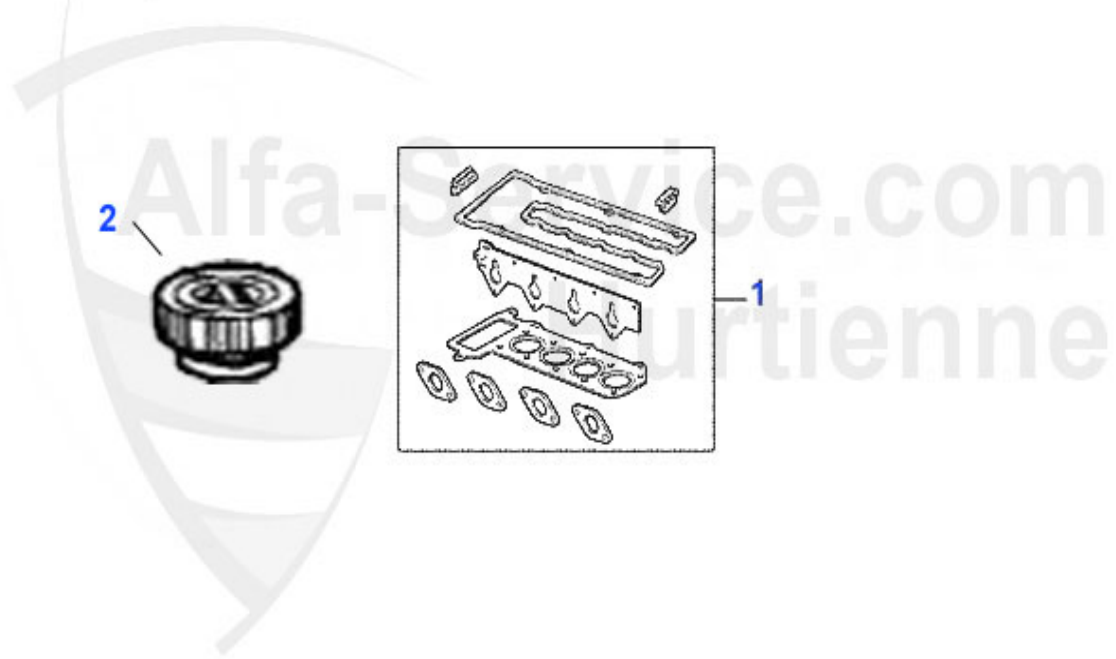
Dichtungen Motor/Engine Gaskets 155 TS 8V



| | | | |
|---|------------|---|-----------|
| 1 | VDD41900 | junta cobre-culata 155,164/Super 1.7/ 1.8/2.0/TS | 39.90 EUR |
| 2 | ASKD76100 | junta colector adm. 75,164 2.0TS | 19.90 EUR |
| 3 | AGKD74400 | junta colector escape 75,155,164/Super TS 8V | 6.30 EUR |
| 4 | WD17600 | retén ciguenal delantero 40/56/10 Sud/ Sprint, 33 (905/ | 18.66 EUR |
| 4 | 02 022 0 0 | retén ciguenal delantero 35/50/10 | 9.50 EUR |
| 5 | 02 060 3 0 | retén ciguenal CORTECO trasero Spider 90-93, 75,90,155, | 35.50 EUR |
| 5 | 02 060 3 5 | retén ciguenal trasero Spider 90-93, 75,90,155,164GTV6, | 44.90 EUR |

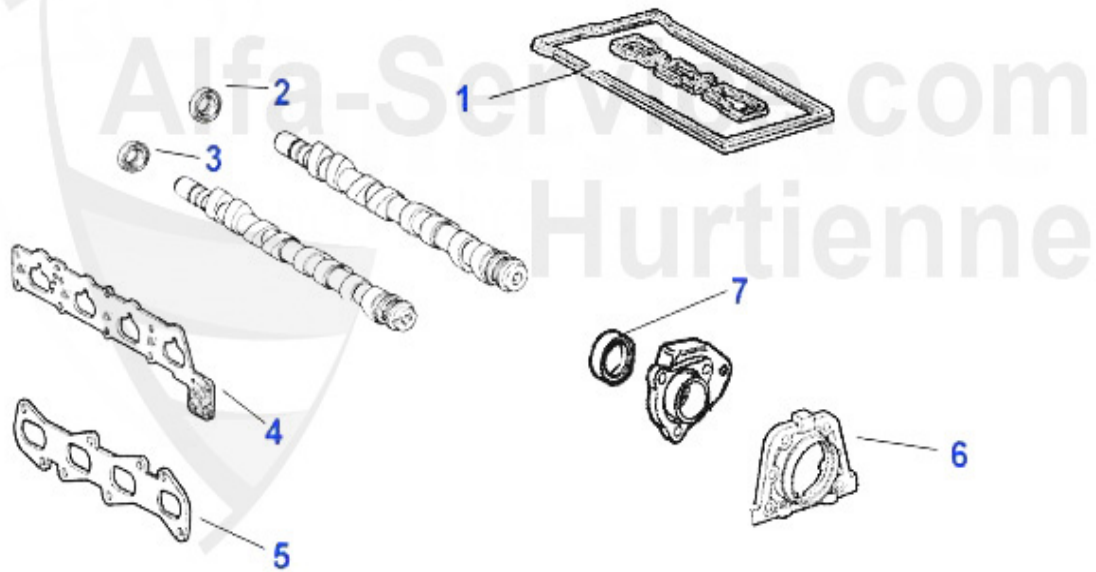
155 > motor > juntas motor > TS 8V > kit juntas motor

Kopfdichtsatz/HEAD SET 155 TS 8V



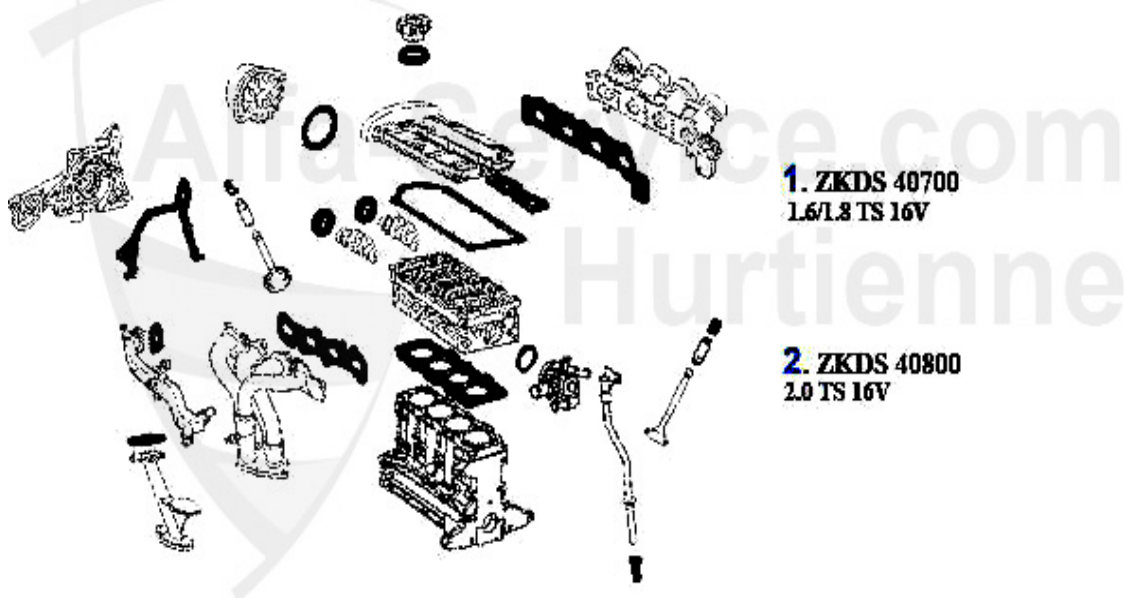
| | | | |
|----------|------------------|--|-------------------|
| 1 | ZKDS95300 | kit juntas motor-parte alta 155 1.7/1.8/ 2.0 TS 8V 92- | 164.99 EUR |
| 2 | OED003 | Öleinfülldeckel z.schrauben TS Motoren 145/147/155/156/ | 49.50 EUR |

Dichtungen Motor/Gaskets Engine 155 TS 16V



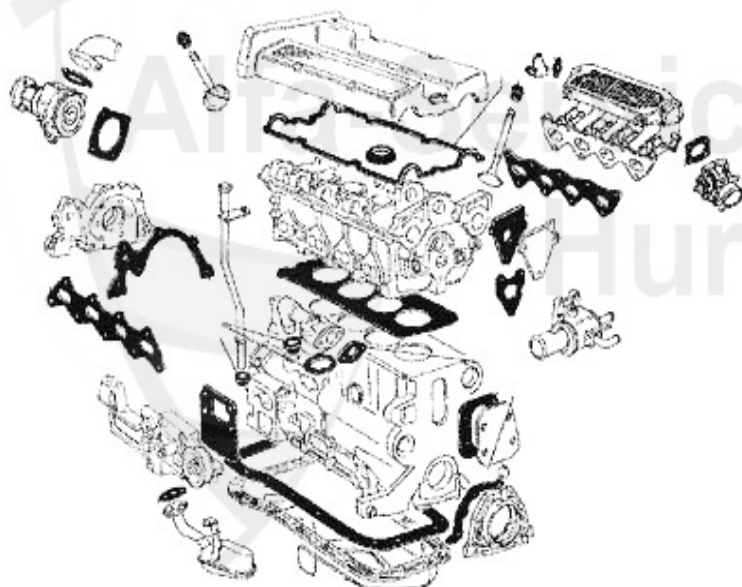
| | | | |
|---|-----------|---|-----------|
| 1 | VDD3700 | junta cubre-culata (2 partes) para cubre-culata Alu 145 | 33.90 EUR |
| 2 | WD55300 | retén arbol de levas 145/6,155,156 1.6 1.7/1.8/2.0 16V | 17.90 EUR |
| 3 | WD08200 | retén arbol de levas 145/6,155,156,gtv/ spider (916), 1 | 15.51 EUR |
| 4 | ASKD59747 | junta colector admision 145/6,147, 155,156,166,gtv/spid | 25.13 EUR |
| 5 | AGKD02761 | junta colector escape 145/6,147,155,156 166,gtv,spider | 24.00 EUR |
| 6 | WD0800 | retén ciguenal trasero (volante-motor) 147 1.6 TS 16V/1 | 47.50 EUR |
| 7 | WD43800 | retén ciguenal delantero (polea) 145/6, 1.9 TD 94-99, 1 | 9.75 EUR |
| 8 | AGKD272 | Abgaskrümmer-Dichtung 145/6 2.0 16V TS bj. 95-01,155 2. | 24.49 EUR |

Kopfdichtsatz/Head Set 155 TS 16V



| | | | |
|----------|------------------|---|-------------------|
| 1 | ZKDS40700 | kit juntas motor-parte alta 145/6, 155,156,166 1.6-2.0 | 108.74 EUR |
| 2 | ZKDS40800 | kit juntas motor-parte alta 145/6,155, gtv,Spider (916) | 164.99 EUR |

Motordichtsatz/Full Set 155 TS 16V



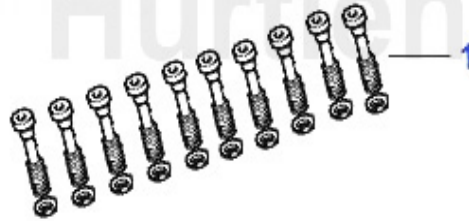
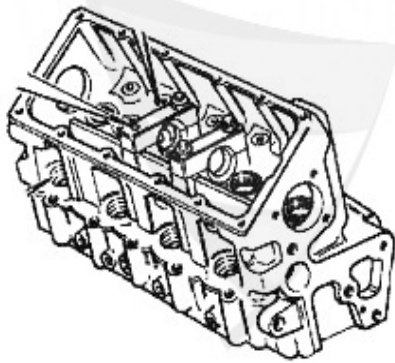
1. MDS 54200
1.6/1.8 TS 16V

2. MDS 54300
2.0 TS 16V

| | | | |
|---|----------|--|------------|
| 1 | MDS54200 | kit juntas motor 145/6,155,156,166, 1.6-1.8 TS 16V >98 | 155.00 EUR |
| 2 | MDS54300 | kit juntas motor 145/6,155,gtv,spider (916) 2.0 TS 95- | 179.00 EUR |

155 > motor > juntas motor > TS 16V > lote de esparragos culata

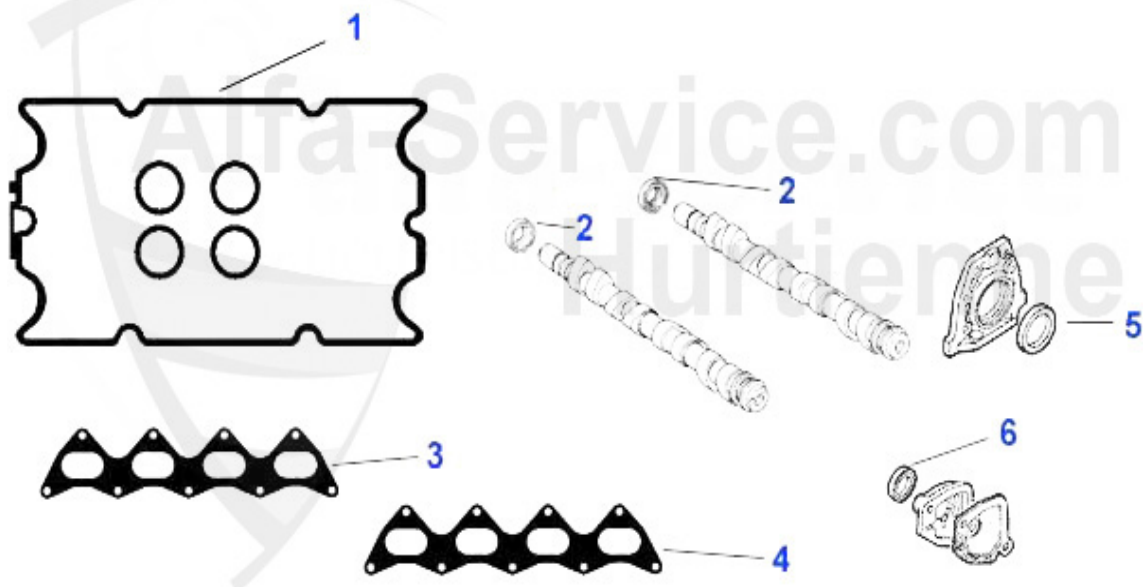
Kopfschraubensatz/Head Srew Set 155 TS 16V



1 ZKSS152080 juego de esparragos 145/6,147,155,156, 166,gtv,spider (

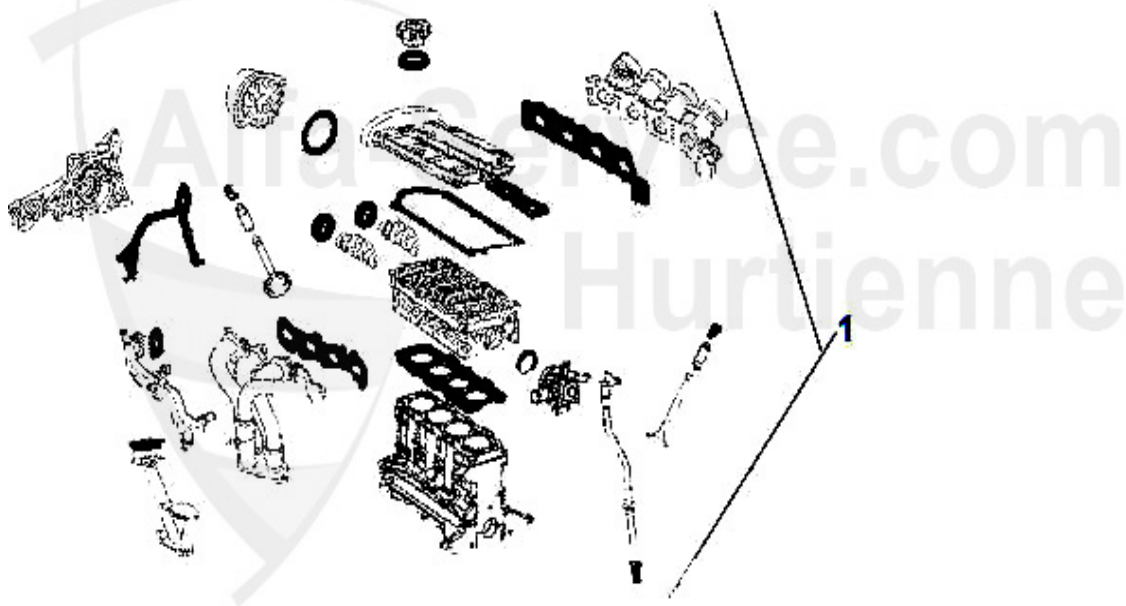
69.00 EUR

Dichtungen Motor/Gaskets Engine 155 Q4



| | | | |
|---|-----------|---|-----------|
| 1 | VDD6200 | junta cobre-culata 155 2.0 turbo 16V 92-97 | 35.00 EUR |
| 2 | WD08200 | retén árbol de levas 145/6,155,156,gtv/ spider (916), 1 | 15.51 EUR |
| 3 | ASGK74700 | junta colector admision 155 2.0 16V Turbo | 17.96 EUR |
| 4 | AGKD74800 | junta colector escape 155 2.0 16V Turbo | 18.90 EUR |
| 5 | WD33900 | retén ciguenal posterior (volante-motor) 145/6,155,156, | 16.24 EUR |
| 6 | WD43800 | retén ciguenal delantero (polea) 145/6, 1.9 TD 94-99, 1 | 9.75 EUR |

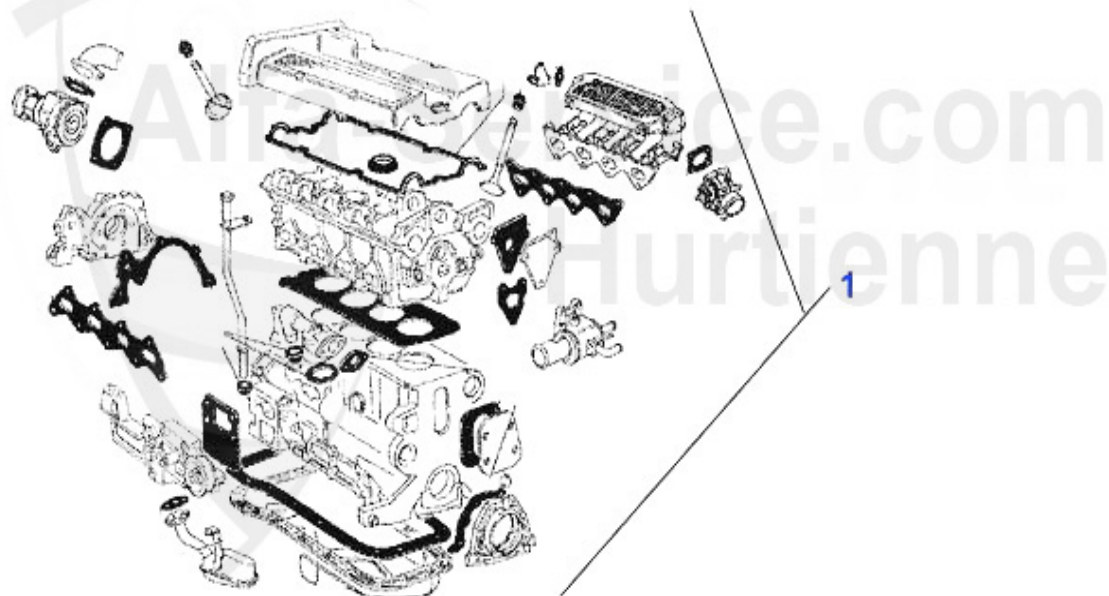
Kopfdichtsatz/Head Set 155 Q4



1 ZKDS95500 kit juntas motor-parte alta 155 2.0 16V turbo 92-97

132.34 EUR

Motordichtsatz/Full Set 155 Q4

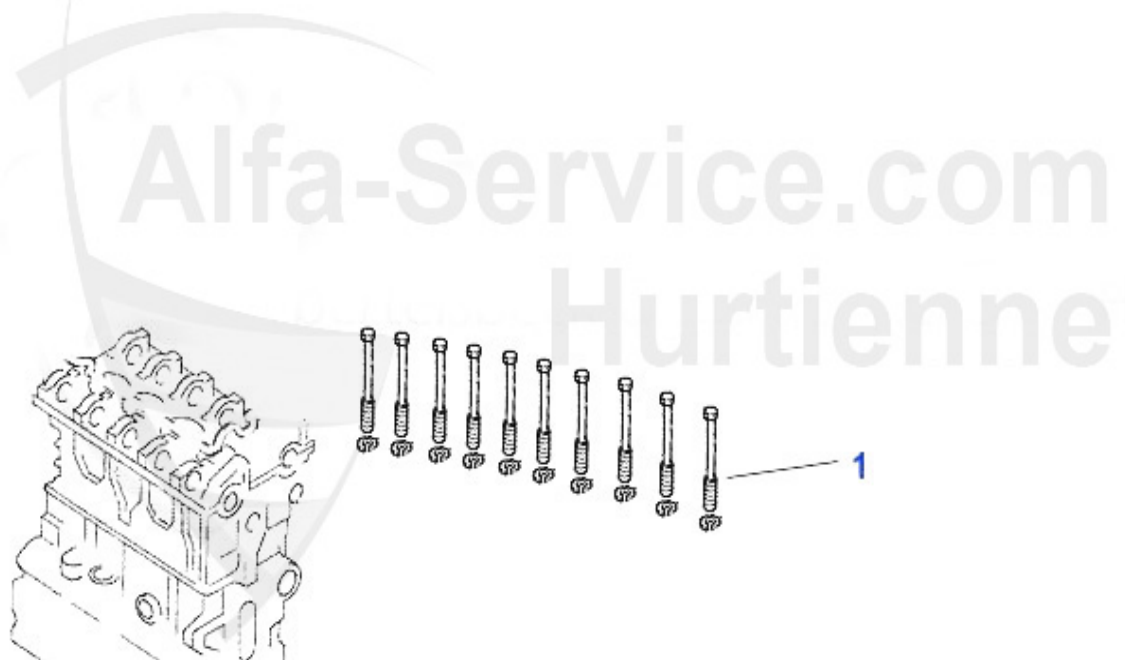


1 MDS8300

kit juntas motor 155 16V turbo

205.00 EUR

Kopfschraubensatz/Head Screw Set 155 Q4

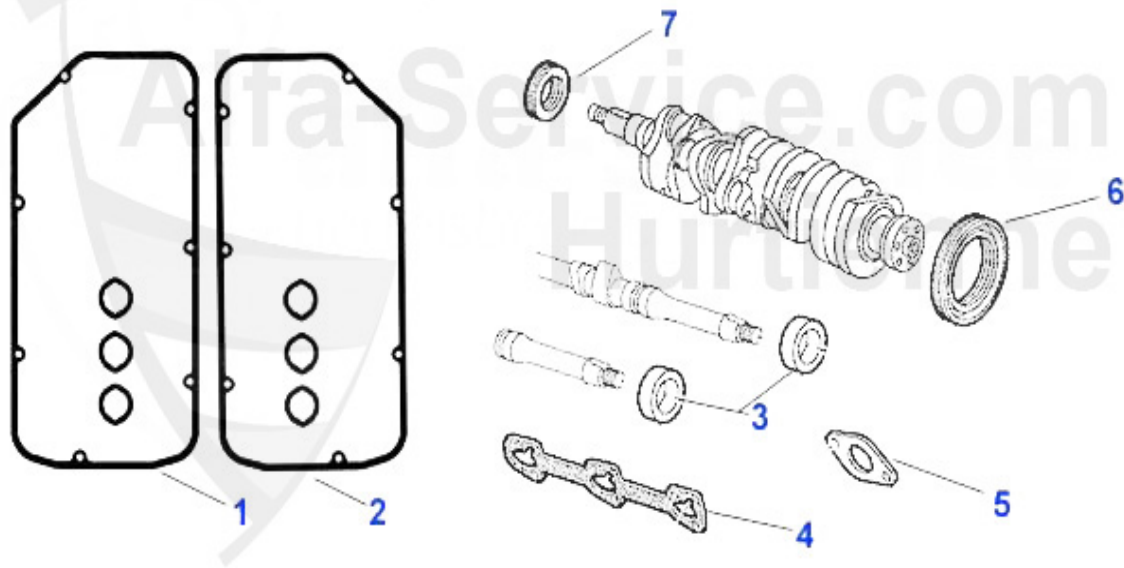


1 ZKSS7500

juego de esparragos 155 2.0 16V Turbo

48.22 EUR

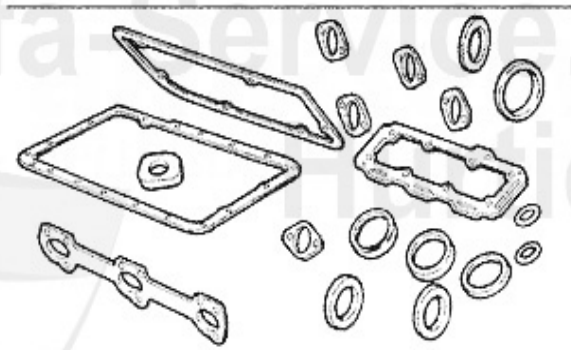
Dichtungen Motor/Gaskets Engine 155 2.5 V6



| | | | |
|---|------------|---|-----------|
| 1 | VDD24700 | junta cobre-culata izq. 6,75,90, GTV (116) 164,GTV/Spid | 39.90 EUR |
| 2 | VDD24600 | junta cobre-culata der. 6,75,90, GTV(116) 164, GTV, Spi | 39.90 EUR |
| 3 | WD45700 | retén arbol de levas 155 2.5 V6, 166 2.0 V6 Turbo 09.98 | 28.00 EUR |
| 4 | ASKD76200 | junta colector adm. 155,164/Super,166, gtv/spider V6 1 | 9.13 EUR |
| 5 | AGKD06636 | junta colector escape 75,155,164,Super, RZ,SZ,GTV Spide | 5.89 EUR |
| 6 | 02 060 3 0 | retén ciguenal CORTECO trasero Spider 90-93, 75,90,155, | 35.50 EUR |
| 6 | 02 060 3 5 | retén ciguenal trasero Spider 90-93, 75,90,155,164GTV6, | 44.90 EUR |
| 7 | WD23600 | retén ciguenal delantero (polea)6,75,90 155,164,GTV (11 | 21.00 EUR |

155 > motor > juntas motor > 2.5 V6 > kit juntas motor

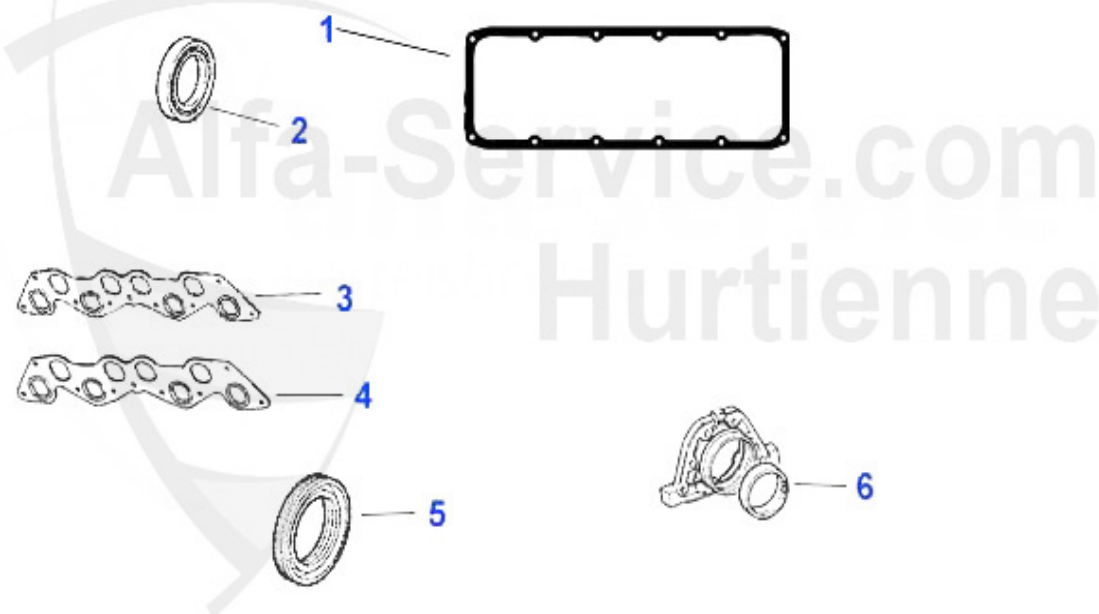
Kopfdichtsatz/Head Set 155 2.5 V6



1 ZKDS95600 kit juntas motor-parte alta 155 V6 92-96

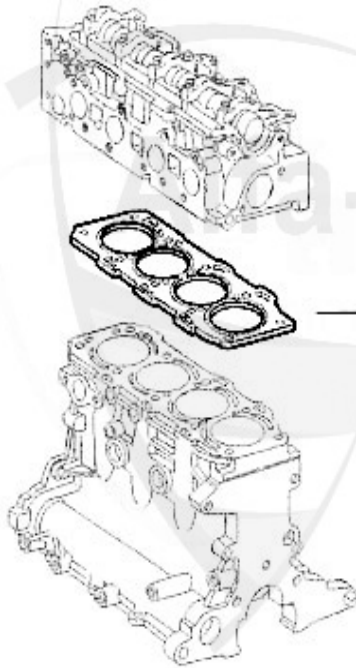
240.00 EUR

Dichtungen Motor/ Engine Gaskets 155 1.9 TD



| | | | |
|---|------------|---|-----------|
| 1 | VDD19800 | junta cobre-culata 145/6,155 1.9 TD, 93-99 | 8.90 EUR |
| 2 | WD09700 | retén arbol de levas 145/6,155, 1.9 TD 93-99 164 2.0 T | 6.37 EUR |
| 3 | AGSKD37936 | junta colector adm./escape 145/6,155 1.9 TD | 24.62 EUR |
| 5 | WD43800 | retén ciguenal delantero (polea) 145/6, 1.9 TD 94-99, 1 | 9.75 EUR |
| 6 | WD33900 | retén ciguenal posterior (volante-motor) 145/6,155,156, | 16.24 EUR |

Kopfdichtung/Head Gasket 155 1.9 TD



Achtung/Attention:

Beim Bestellen der Kopfdichtung bitte auf die entsprechende Markierung achten!
Before you order the headgasket, please note the marking!

1. ZKD 34200
1.65 mm

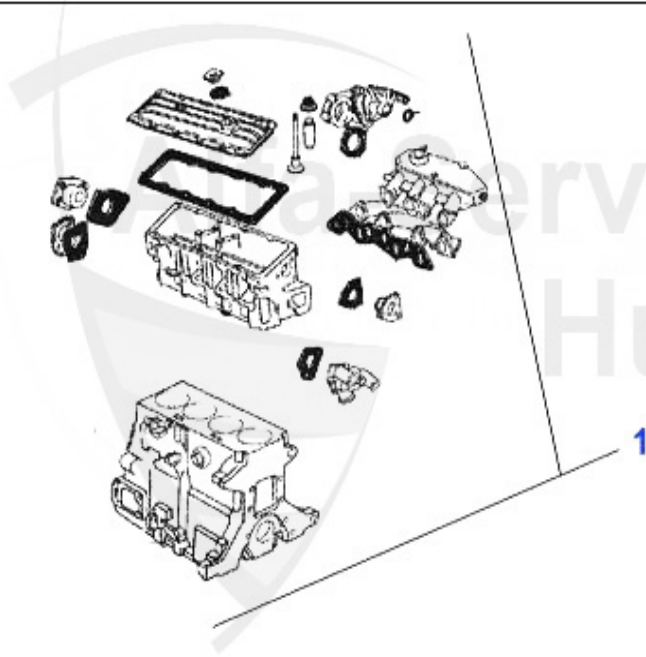
2. ZKD 34210
1.80 mm

3. ZKD 34220
1.95 mm

| | | | |
|----------|-----------------|---|------------------|
| 1 | ZKD34200 | junta culata 145/6,155 1.9 TD 93-99 espesor: 165mm sin | 31.70 EUR |
| 1 | ZKD34210 | junta culata 145/6,155 1.9 TD 93-99 espesor:1.80mm 1 mu | 34.37 EUR |
| 1 | ZKD34220 | junta culata 145/6,155 1.9 TD 93-99 espesor: 1.95 mm 2 | 34.37 EUR |

155 > motor > juntas motor > 1.9 TD > kit juntas motor

Kopfdichtsatz/Head Set 155 1.9 TD



Achtung/Attention:
Ohne Kopfdichtung, Kopfdichtung
bitte separat bestellen!
Without Headgasket, please order it
separate!

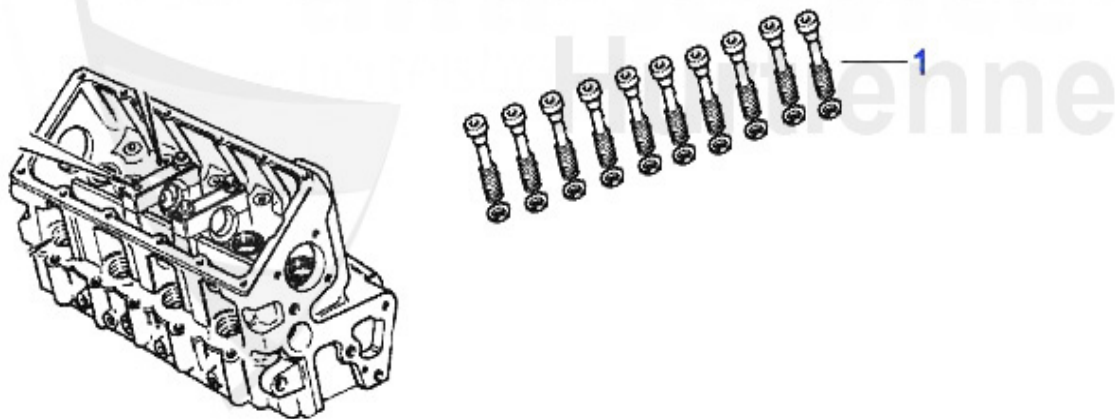
1 ZKDS2400

kit juntas motor-parte (sin junta culata) 145/6,155,1.9

34.78 EUR

155 > motor > juntas motor > 1.9 TD > lote de esparragos culata

Kopfschraubensatz/Head Screw Set 155 1.9 TD

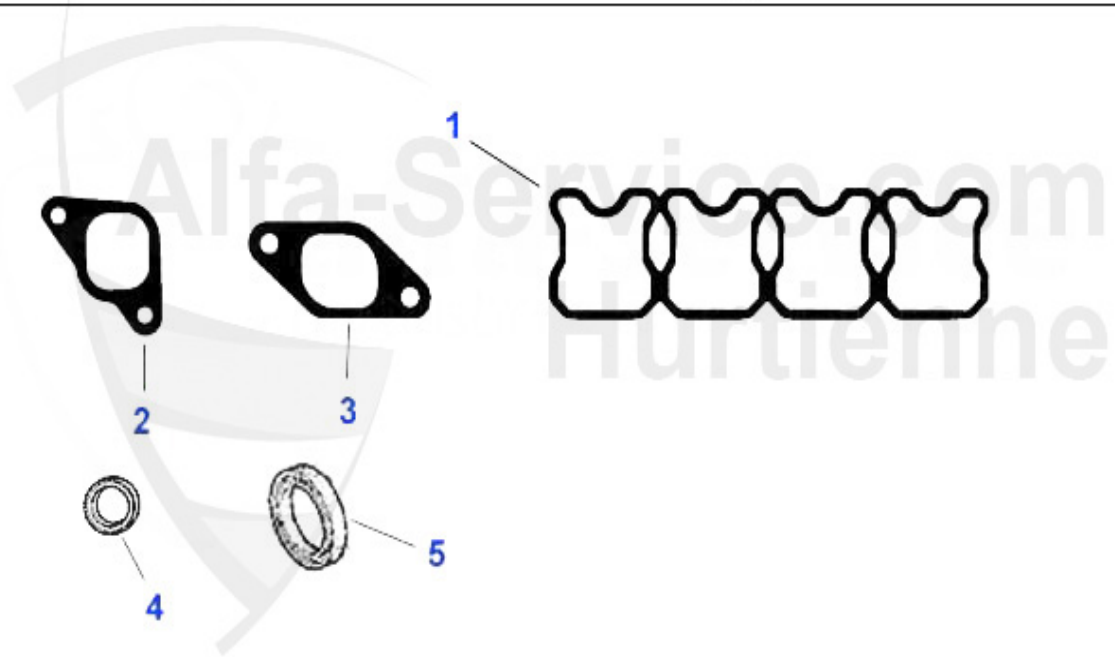


1 ZKSS7700

juego de esparragos 145/6,155 1.9 TD 94-99

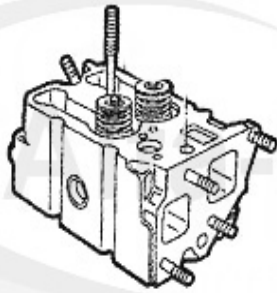
40.94 EUR

Dichtungen Motor/Gaskets Engine 155 2.5 TD



| | | | |
|---|-----------|---|-----------|
| 1 | VDD79100 | junta cobre-culata 75 2.0 TD,90 2.4 TD, 155,164/Super 2 | 23.09 EUR |
| 2 | ASKD83742 | junta colector adm. 33 1.8 TD, 75 2.0/ 2.4 TD,155,164/S | 2.42 EUR |
| 3 | AGKD32812 | junta colector escape 6,75,90,155,164 Super, Alfetta 2. | 3.59 EUR |
| 4 | WD26200 | retén ciguenal delantero (polea) 33 1.8TD, 155 2.5 TD | 7.15 EUR |
| 5 | WD41700 | retén ciguenal post. (volante-motor) 33 1.8TD,155,164 2 | 18.30 EUR |

Kopfdichtung/Headgasket 155 2.5 TD



Achtung/Attention:

Beim Bestellen der Kopfdichtung bitte auf die entsprechende Markierung achten!
Before you order the headgasket, please note the marking!

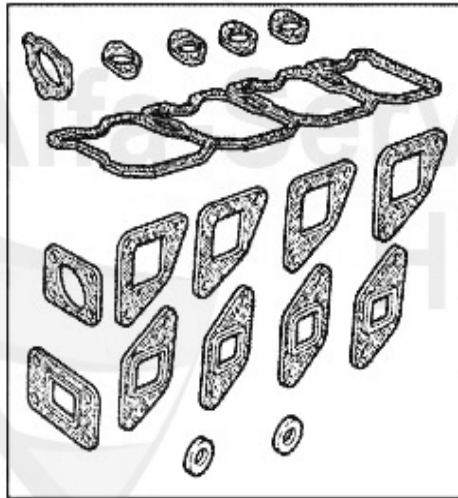
1. ZKD 11500
1,42mm

2. ZKD 11510
1,52 mm

3. ZKD 11520
1,62 mm

| | | | |
|---|----------|---|-----------|
| 1 | ZKD11500 | junta culata Alfetta, 6,33,75,90,155,164 1.8-2.5 TD epa | 28.00 EUR |
| 2 | ZKD11510 | junta culata Alfetta, 6,33,75,90,155,164 1.8-2.5 TD epa | 28.00 EUR |
| 3 | ZKD11520 | junta culata Alfetta 6,33,75,155,164 1.8-2.5 TD espesor | 30.38 EUR |

Kopfdichtsatz/Head Set 155 2.5 TD



Achtung/Attention:
Ohne Kopfdichtung, Kopfdichtung
bitte separat bestellen!
Without Headgasket, please order it
separate!

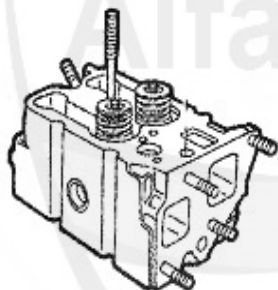
1 ZKDS6100

kit juntas motor-parte alta (sin junta culata) 155,164

59.90 EUR

155 > motor > juntas motor > 2.5 TD > lote de esparragos culata

Kopfschraubensatz/Head Screw Set 155 2.5 TD



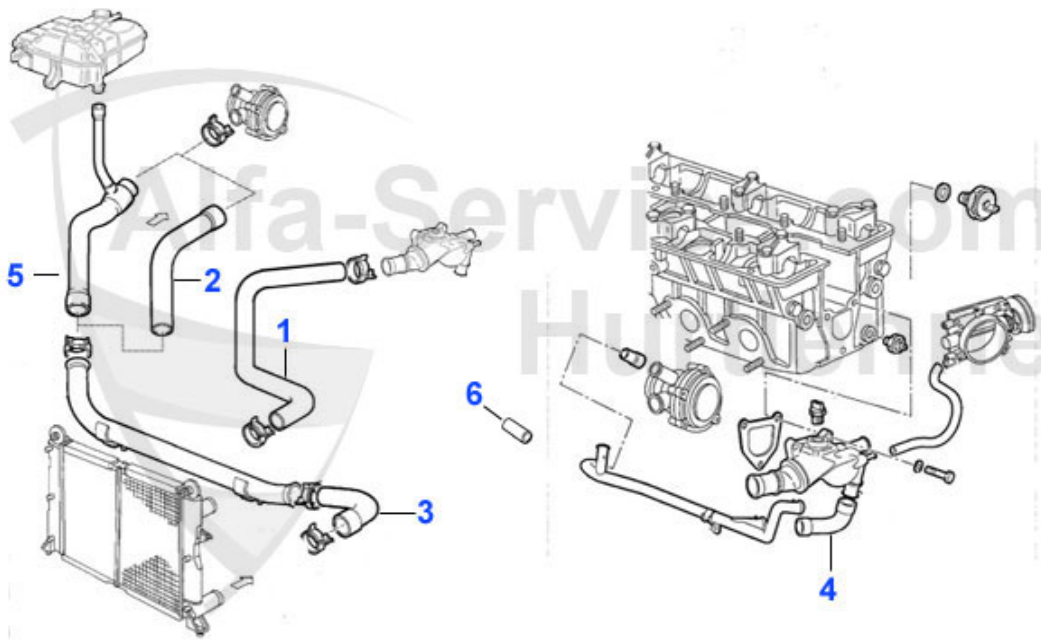
1

1 ZKSS9200

juego de esparragos 155,164 2.5 TD 87-97

79.00 EUR

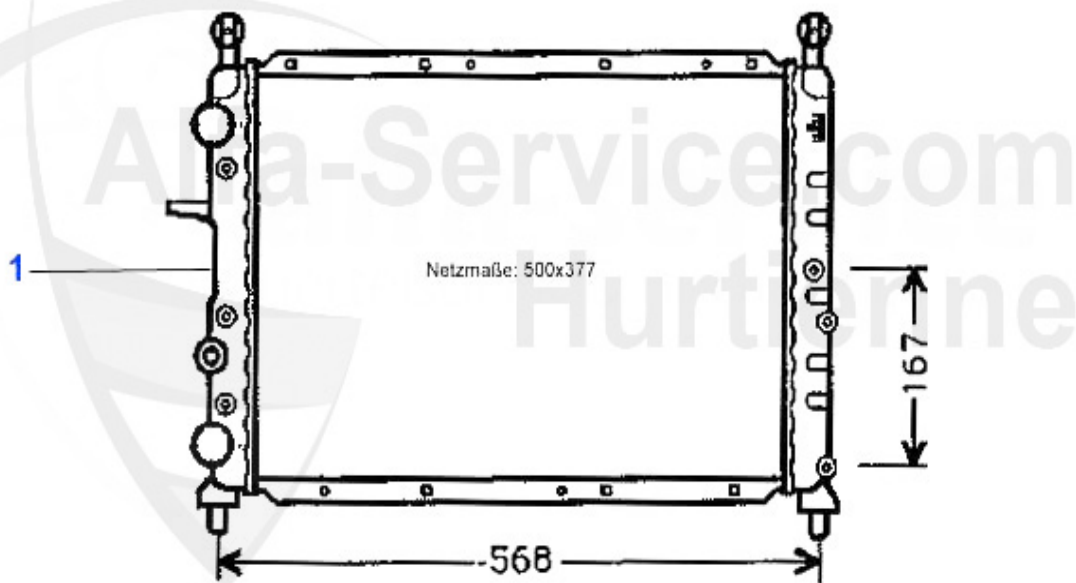
155 > motor > circuito agua > TS 8V > mangueras



| | | | |
|---|----------|---|-------------------|
| 1 | KWS56562 | Kühlwasserschlauch oben 155 1.7/1.8 /2.0 TS | 25.89 EUR |
| 2 | KWS56561 | Kühlwasserschlauch Wasserpumpe/Vert eilerrohr 155 1.7/1 | Preis auf Anfrage |
| 3 | KWS56563 | Kühlwasserschlauch unten 155 1.7/1. 8/2.0 TS | Preis auf Anfrage |
| 4 | KWS56558 | Kühlwasserschlauch Thermostatgehäus e/Verteilerrohr 155 | Preis auf Anfrage |
| 5 | KWS79209 | Kühlwasserschlauch Ausgleichsbehält er/Verteilerrohr 15 | 45.01 EUR |

155 > motor > circuito agua > TS 8V > radiador agua

Kühler/Radiator 155 TS 8V



1 MK21072

radiator 155 1.7/1.8/2.0 TS 93-97

204.14 EUR

155 > motor > circuito agua > TS 8V > bomba agua

Wasserpumpe/Waterpump 155 TS 8V

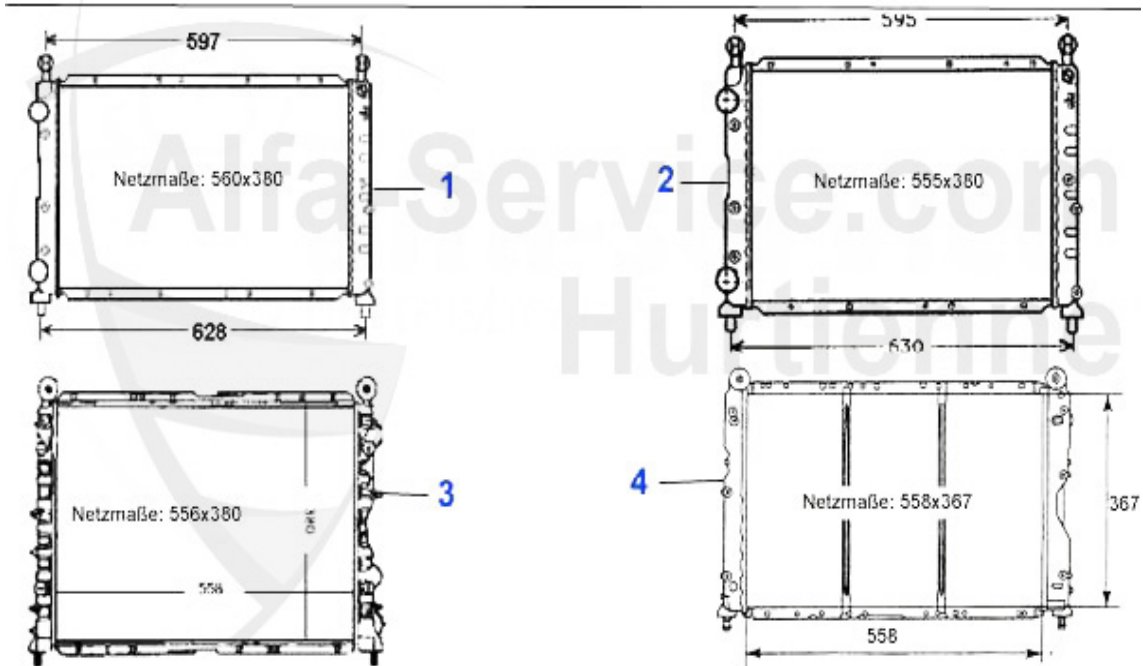


1 WP01210

bomba aqua 155 1.7/1.8/2.0 ie TS 164 Super 2.0 TS

71.00 EUR

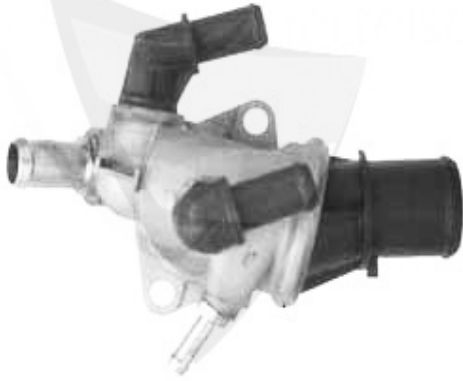
Kühler/Radiator 155 TS 16V



| | | | |
|---|---------|---|------------|
| 1 | MK22820 | radiador 145/6 1.4/1.6/1.7ie 16V TS 96-01,155 1.6 16V | 224.66 EUR |
| 2 | MK22992 | radiador 145/6,155 1.6/1.7/1.8/2.0 TS 16V | 213.38 EUR |
| 3 | MK22999 | radiador 145/6 2.0 16V TS/QV 6.96> | 193.89 EUR |
| 4 | MK35342 | radiador 145/6 2.0 TS 16V >6.96, 155 2.0 TS 16V 95-96 | 205.07 EUR |

Termostato 155 TS 16V

1. TH 656883
1.6 TS 16V



2. TH 649083
1.8/2.0 TS 16V



| | | | |
|---|----------|---|-----------|
| 1 | TH656883 | termostato 145/6,155,1.4/1.6 ie TS 97> (con carter) | 67.50 EUR |
| 2 | TH649083 | termostato 145/6,155,gtv/spider (916) 1.8/2.0 ie TS (co | 98.00 EUR |

155 > motor > circuito agua > TS 16V > bomba agua

Wasserpumpe/Waterpump 155 TS 16V

1. WP 00310
1.6 TS 16V

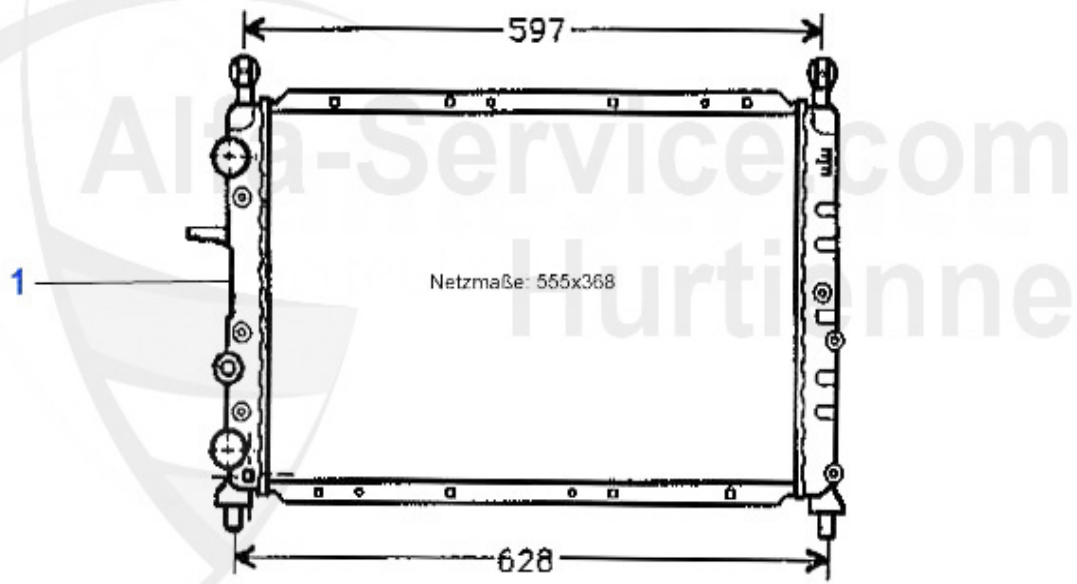


2. WP 00410
1.8/2.0 TS 16V



| | | | |
|---|---------|---|-----------|
| 1 | WP00310 | bomba aqua 145/6 1.4/1.6/1.8/2.0/ie 16V TS,147 1.6/2.0 | 72.49 EUR |
| 2 | WP00410 | bomba aqua 145/6 1.6 ie 16V TS, 155/6 1.6/1.8 ie 16V TS | 65.00 EUR |

Kühler/Radiator 155 Turbo Q4

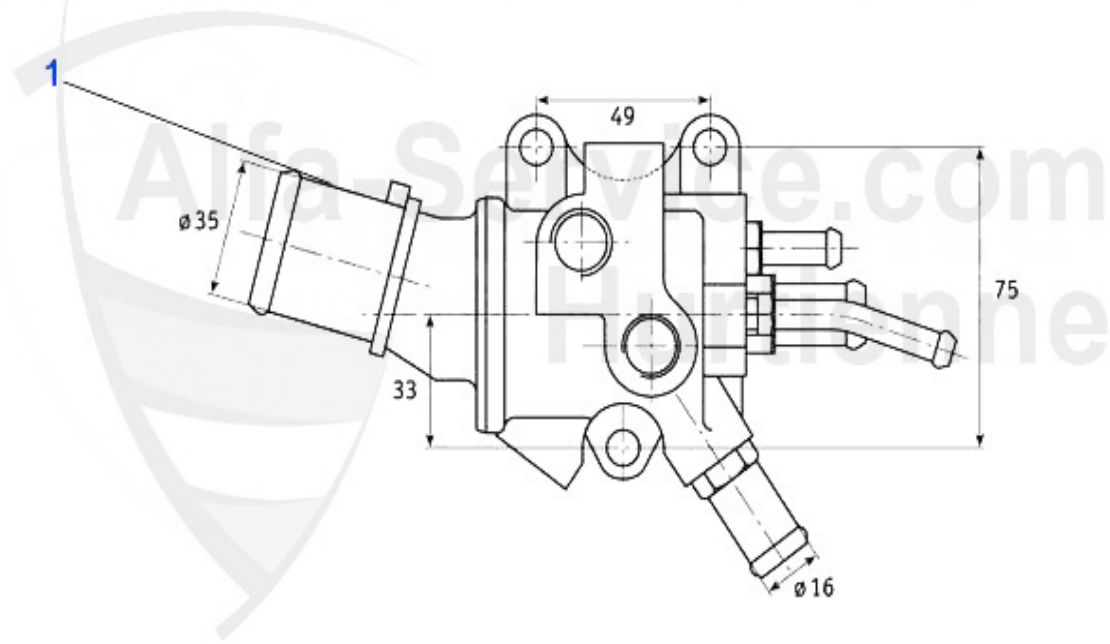


1 MK22518

radiador 155 2.0 16V Turbo

249.28 EUR

Termostato 155 Turbo Q4



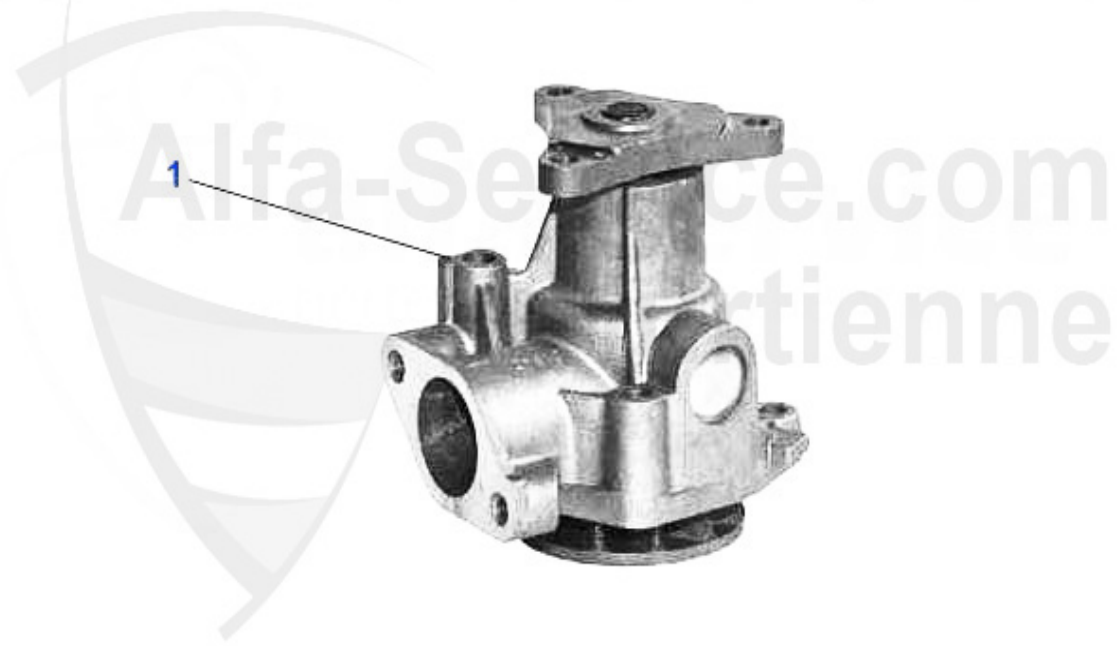
1 TH23789

termostato 155 Turbo Q4

91.30 EUR

155 > motor > circuito agua > Turbo Q4 16V > bomba agua

Wasserpumpe/Waterpump 155 Turbo Q4

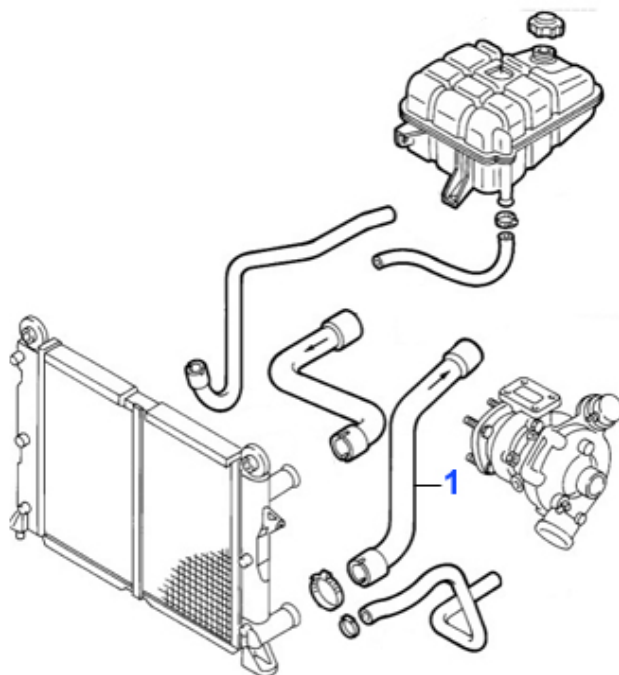


1 WP10426

bomba agua 155 Turbo Q4

Preis auf Anfrage

155 > motor > circuito agua > 2.0 Turbo 4x4 > mangueras



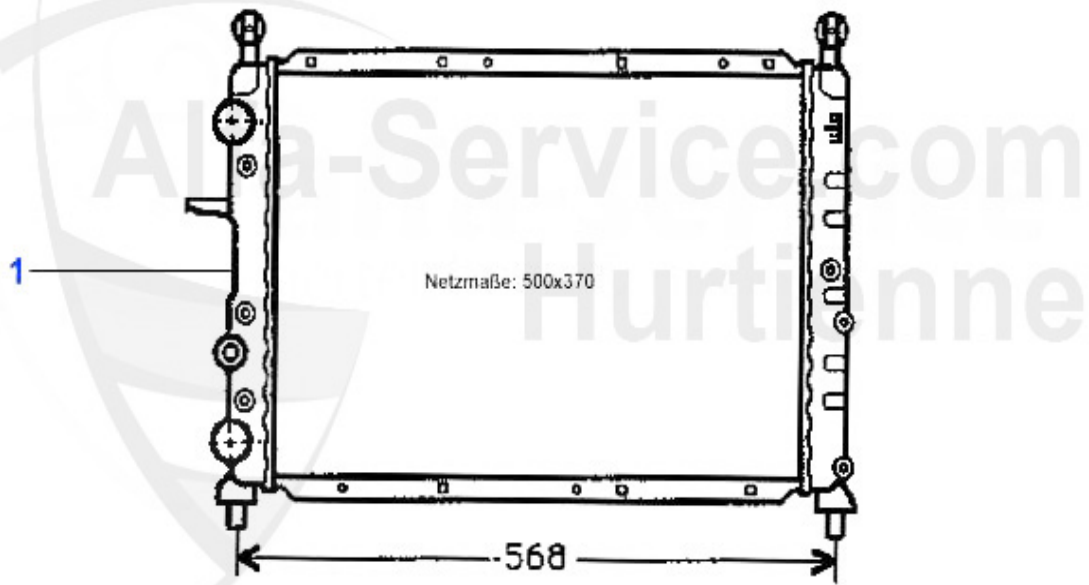
1 KWS73245

Kühlwasserschlauch 155 Kühler unten 2,0 Turbo 4X4

32.00 EUR

155 > motor > circuito agua > 2.5 V6 > radiador agua

Kühler/Radiator 155 2.5 V6

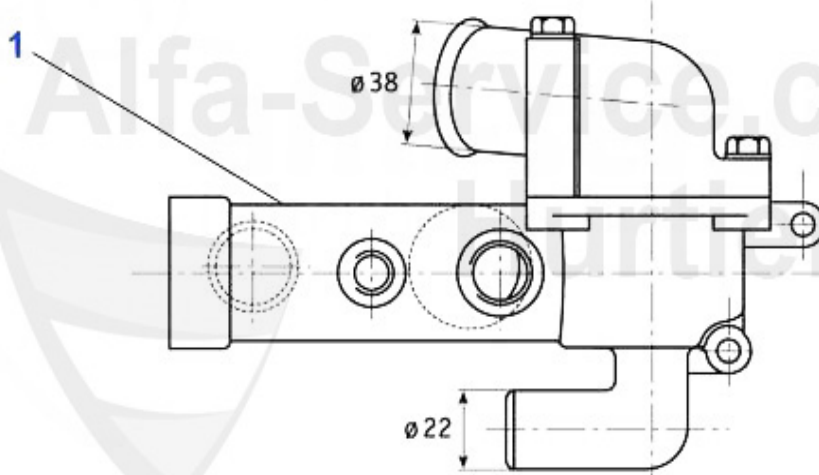


1 MK22516

radiador 155 2.5 V6

207.74 EUR

Termostato 155 2.5 V6



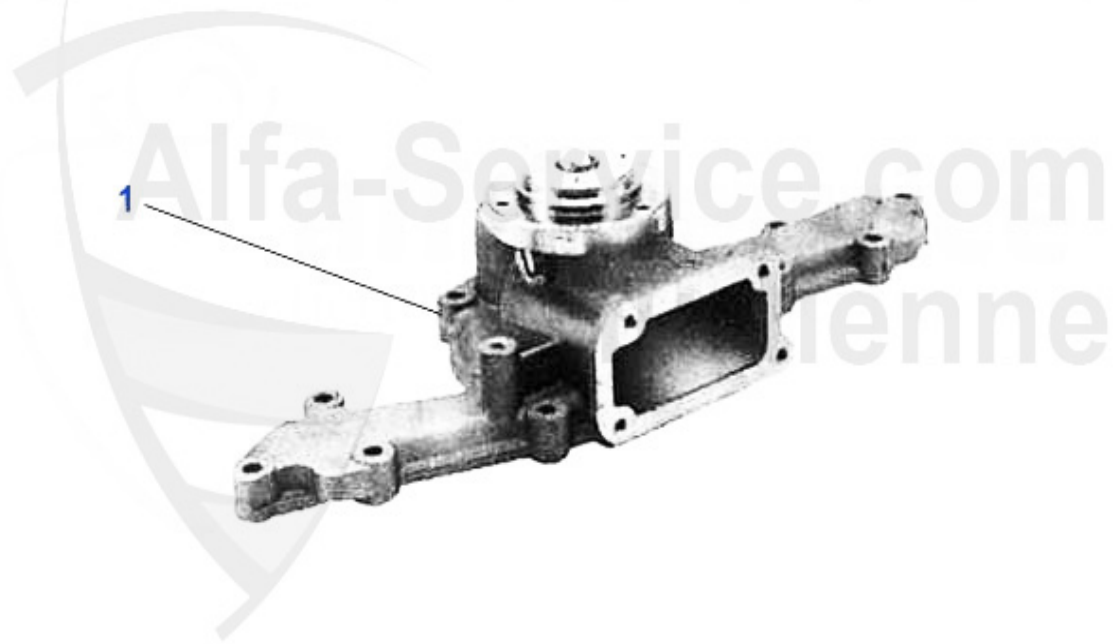
1 TH657187

termostato 155,156,166,gtv,spider (916) V6 (avec carter

59.00 EUR

155 > motor > circuito agua > 2.5 V6 > bomba agua

Wasserpumpe/Waterpump 155 2.5 V6

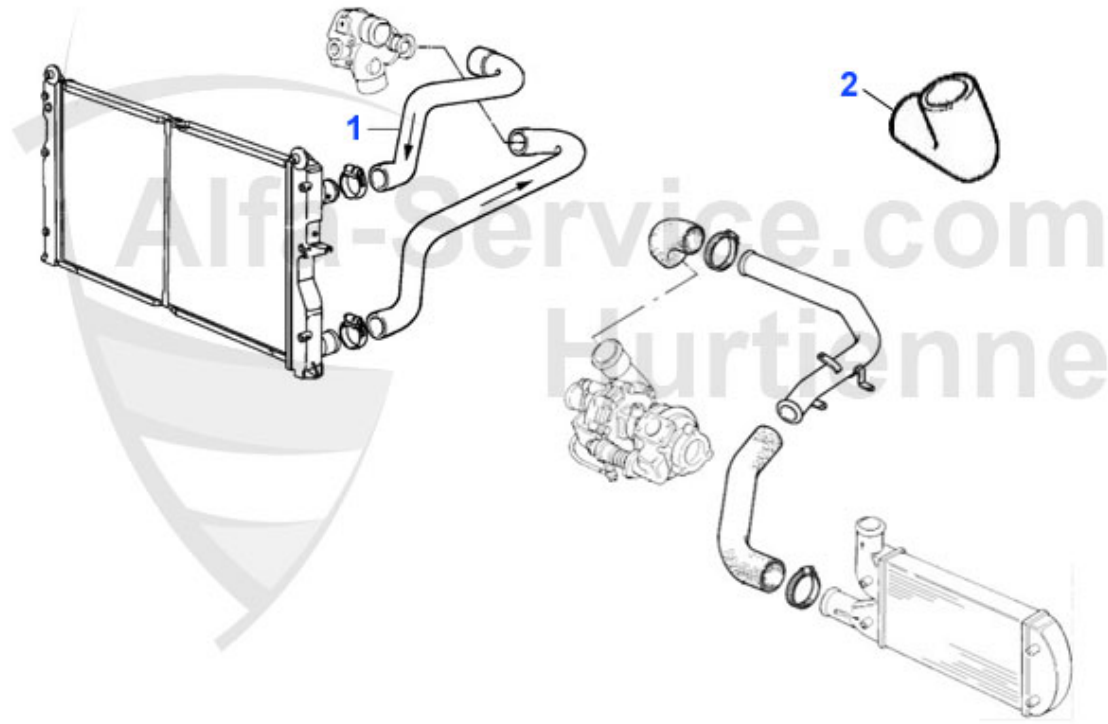


1 WP01110

bomba agua 155 2.5 V6,gtv/spider (916) 2.0 V6 turbo/3.0

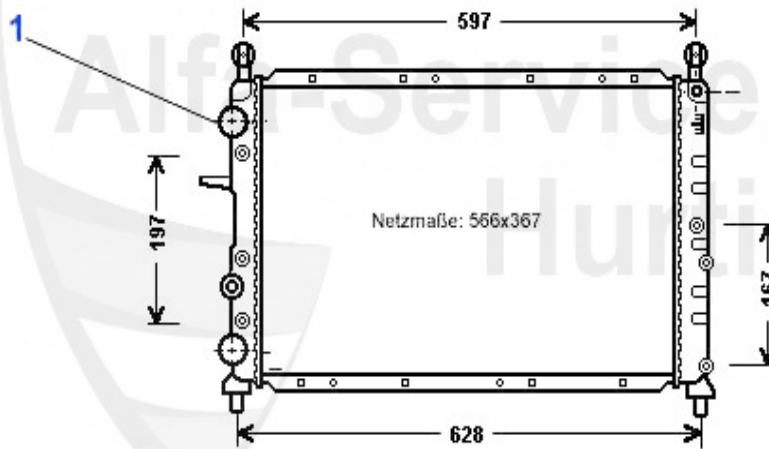
109.50 EUR

155 > motor > circuito agua > 1.9 TD > mangueras



| | | | |
|----------|-----------------|---|------------------|
| 1 | KWS09309 | Kühlwasserschlauch oben 155 1.9 TD Bj. >96 | 14.88 EUR |
| 2 | KWS83627 | Kühlwasserschlauch Wasserpumpe 145/ 6,155 1.9 TD | 7.18 EUR |

Kühler/Radiator 155 1.9 TD



1 MK21949

radiador 145/6 2.0 16V > 5.96, 1.9 TD 12.94-02.99, 155

189.78 EUR

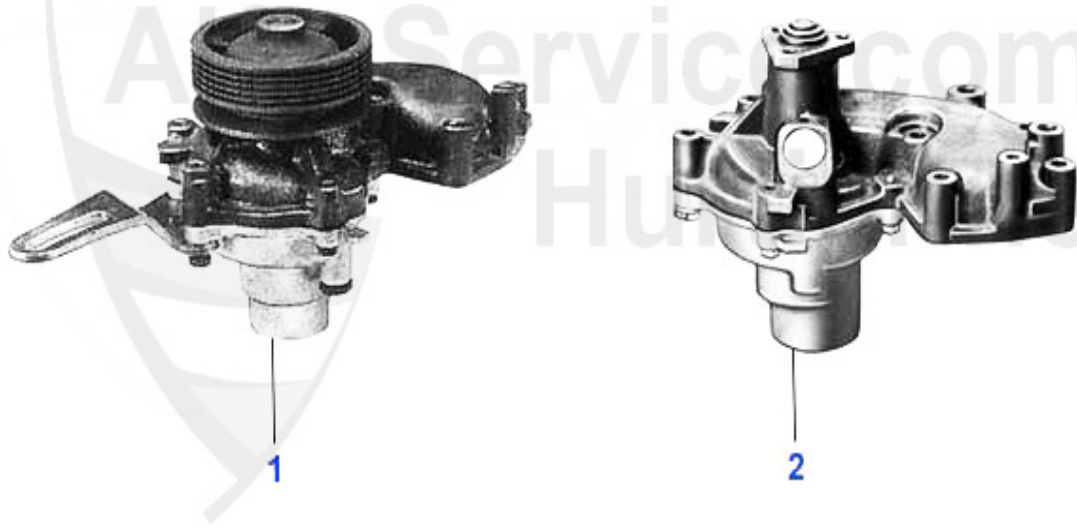
Termostat 155 1.9 TD



| | | | |
|---|----------|---|-----------|
| 1 | TH568880 | termostato 1.9 TD 145/6,155 (sin A/C) (con carter) | 39.50 EUR |
| 2 | TH625480 | termostato 1.9 TD Mot# 1761923>145/6, 155 (sin A/C) (co | 29.50 EUR |
| 3 | TH657488 | termostato 145/6,155 1.9 TD con A/C (con carter) | 33.00 EUR |
| 4 | TH625580 | termostato 1.9 TD Mot.#1761923> 145/6,155 (con A/C) (co | 45.51 EUR |
| 5 | TH597580 | termostato 1.9 TD 145/6 96, 155 96> sin A/C (con carter | 66.28 EUR |
| 6 | TH653780 | termostato 145/6,155, 1.9 TD, con A/C (con carter) | 72.99 EUR |

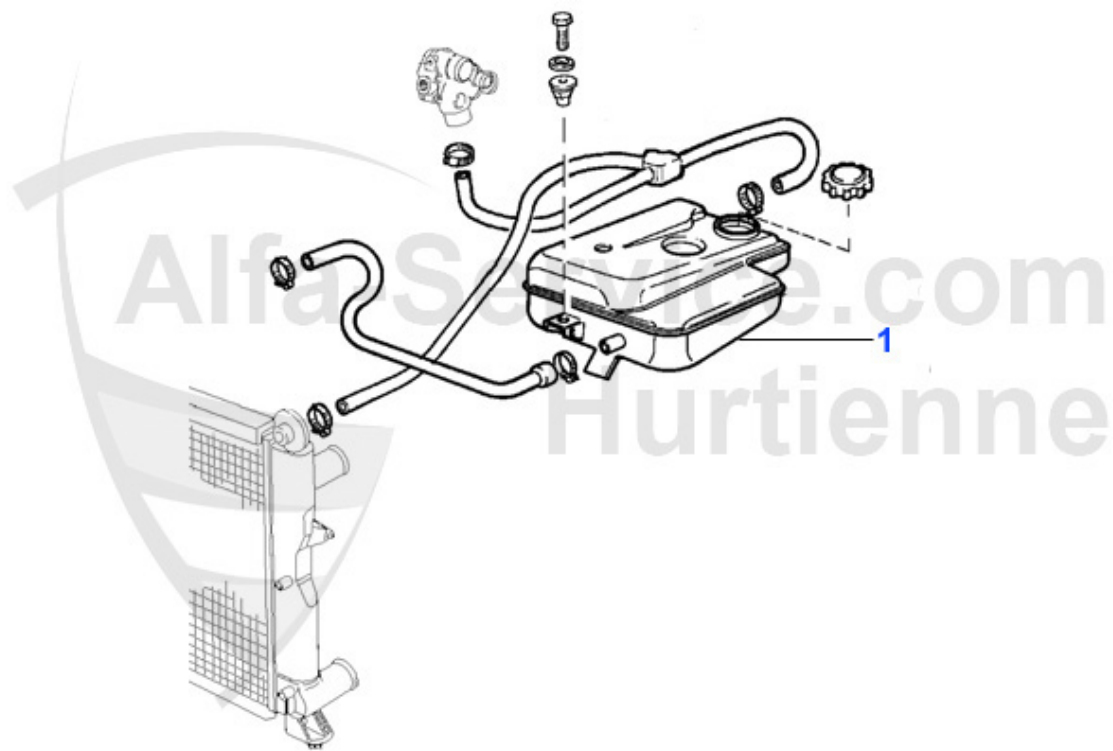
155 > motor > circuito agua > 1.9 TD > bomba agua

Wasserpumpe/Waterpump 155 1.9 TD



| | | | |
|----------|----------------|---|-------------------|
| 1 | WP26310 | bomba aqua 145/6,155 1.9 TD >#1723043 | 146.70 EUR |
| 2 | WP35858 | bomba aqua 145/6,155 1.9 TD #1723044> | 123.11 EUR |

155 > motor > circuito agua > 1.9 TD > vaso de expansion

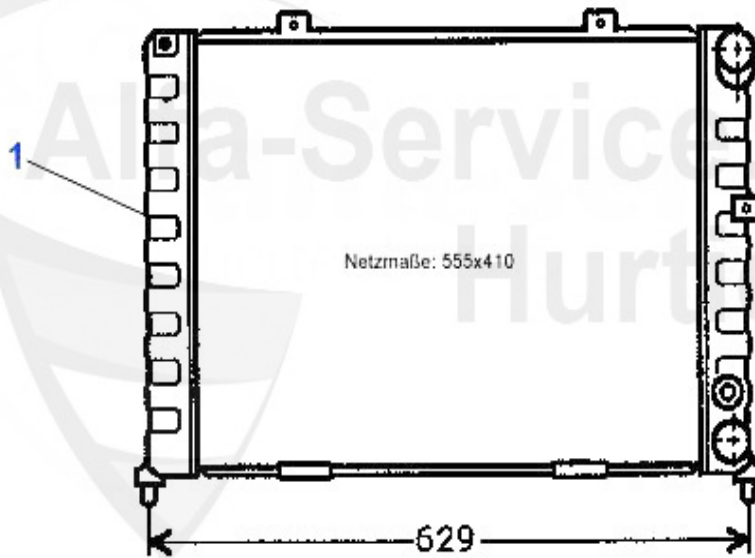


1 KWB00155

Kühlwasserausgleichsbehälter Alfa 155 1,9TD (93-97)

59.90 EUR

Kühler/Radiator 155 2.5 TD



1 MK22376

radiator 155 2.5 TD

246.21 EUR

155 > motor > circuito agua > 2.5 TD > termostato

Thermostat 155 2.5 TD



1 TH657080

termostato 155 2.5 TD (con carter)

66.00 EUR

155 > motor > circuito agua > 2.5 TD > bomba agua

Wasserpumpe/Waterpump 155 2.5 TD

1. WP 00130
>1995

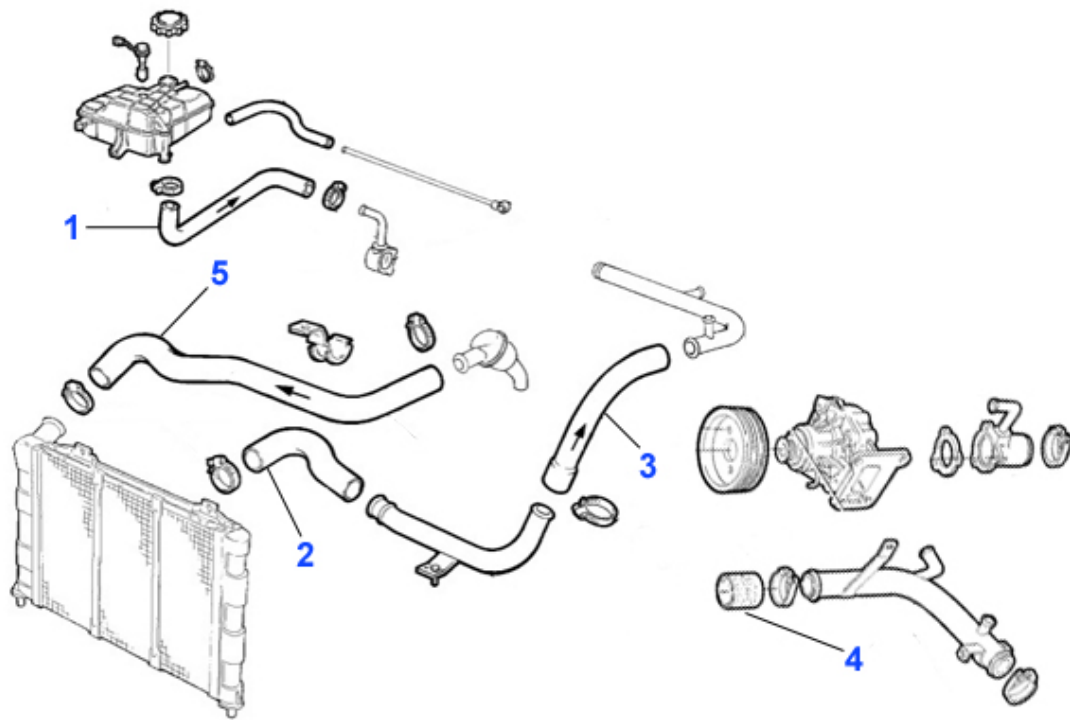


2. WP 01330
1995>



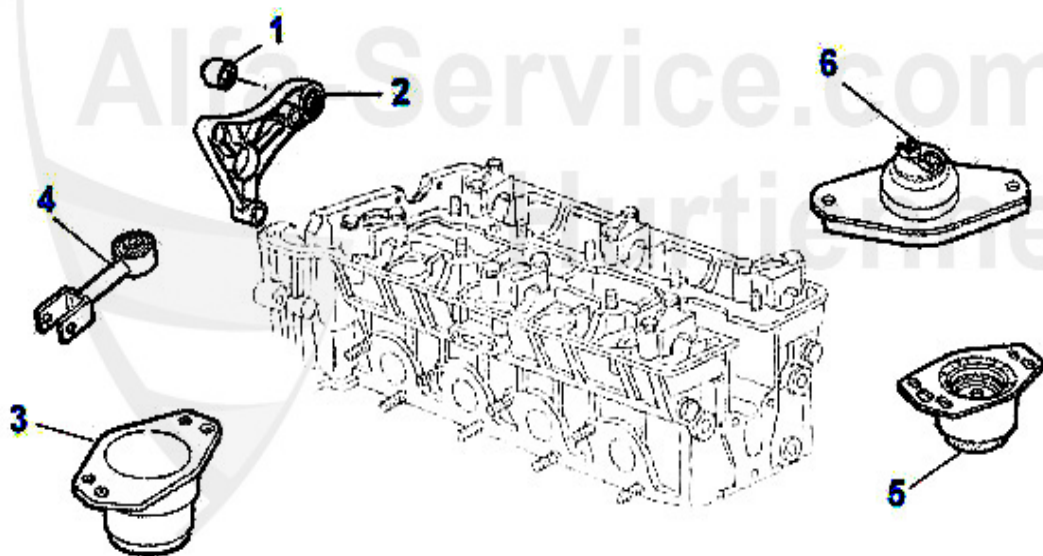
| | | | |
|---|---------|--|-----------|
| 1 | WP00130 | bomba agua 33 (905/7) 1.8 TD, 155,164 2.5 TD | 59.50 EUR |
| 2 | WP01330 | bomba agua 155,164/Super 2.5 TD | 60.52 EUR |

155 > motor > circuito agua > 2.5 TD > mangueras



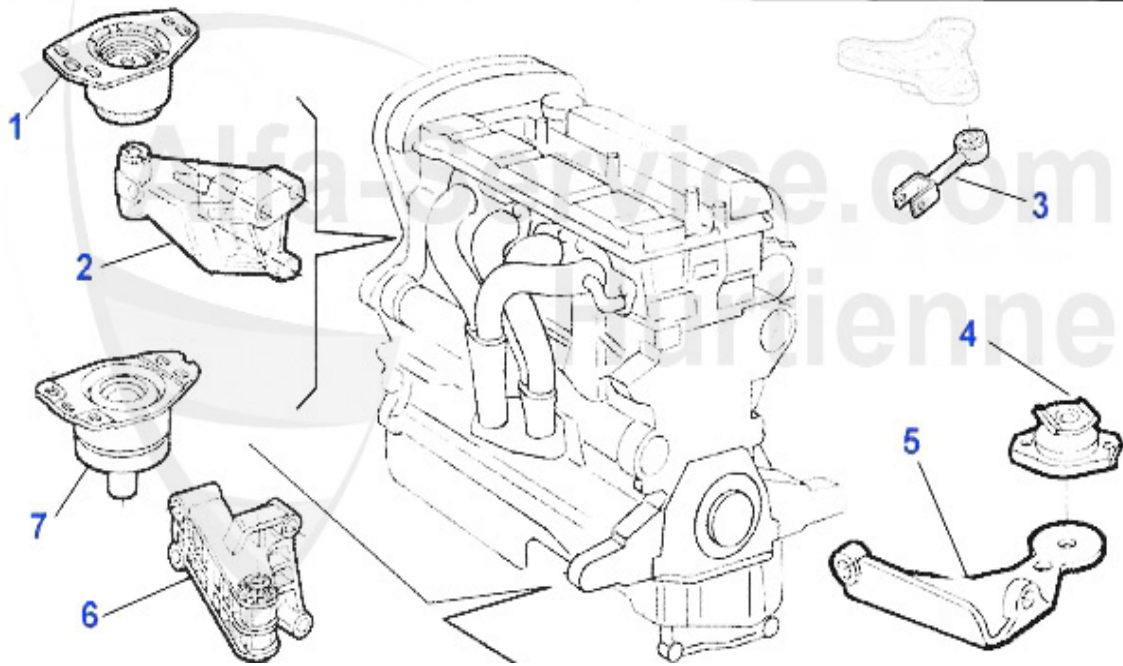
| | | | |
|---|----------|---|-----------|
| 1 | KWS80056 | Kühlwasserschlauch unter Ausgleichs behälter 155 2.5 TD | 7.08 EUR |
| 2 | KWS80068 | Kühlwasserschlauch unten 155 2.5 TD | 11.19 EUR |
| 3 | KWS80067 | Kühlwasserschlauch zwischen den bei den Verteilerrohren | 10.15 EUR |
| 4 | KWS13630 | Kühlwasserschlauch Wasserpumpe/Vert eilerrohr 155,164 S | 15.28 EUR |
| 5 | KWS80069 | Kühlwasserschlauch oben 155 2.5 TD | 18.36 EUR |

Motorlager/Enginemount 155 TS 8V



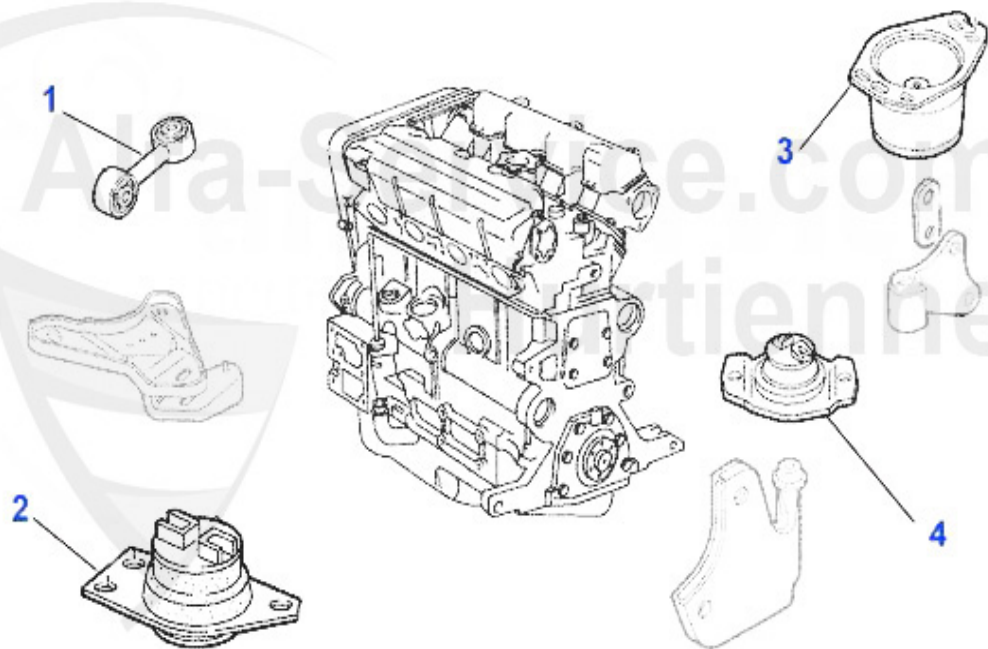
| | | | |
|----------|----------------|---|-------------------|
| 1 | ML8775 | soporte motor delantero 145/6,155,164, spider/gtv (916) | 20.00 EUR |
| 3 | ML3237 | soporte motor delantero 145/6,155 todas TS 16V & 6-cil. | 69.00 EUR |
| 5 | ML67561 | soporte motor trasero 155 TS 8V/2.5 V6 | 109.00 EUR |
| 6 | ML9359 | soporte motor trasero 147,155,156, | 55.81 EUR |

Motorlager/Engine Mount 155 TS 16V



| | | | |
|---|---------|---|-------------------|
| 1 | ML52930 | soporte motor del.izg.145/6 TS 16V 99> 155 1.6/1.8 TS 1 | 149.00 EUR |
| 1 | ML3237 | soporte motor delantero 145/6,155 todas TS 16V & 6-cil. | 69.00 EUR |
| 2 | ML99403 | soporte motor 145/6,155,156,gtv/spider (916) 1.8/2.0 TS | 109.00 EUR |
| 4 | ML46931 | soporte motor post.der.1.6/1.8 TS 16V | 70.00 EUR |
| 4 | ML3234 | soporte motor del.der. 145/6,147,155,156 gtv/spider (91 | 79.50 EUR |
| 5 | ML70915 | soporte motor 145/6,147,155,156,166, gtv/spider (916), | Preis auf Anfrage |
| 7 | ML88460 | soporte motor 145/6,147 (74KW),155,156, gtv/spider (916 | 99.00 EUR |

Motorlager/Enginemount 155 2.5 V6



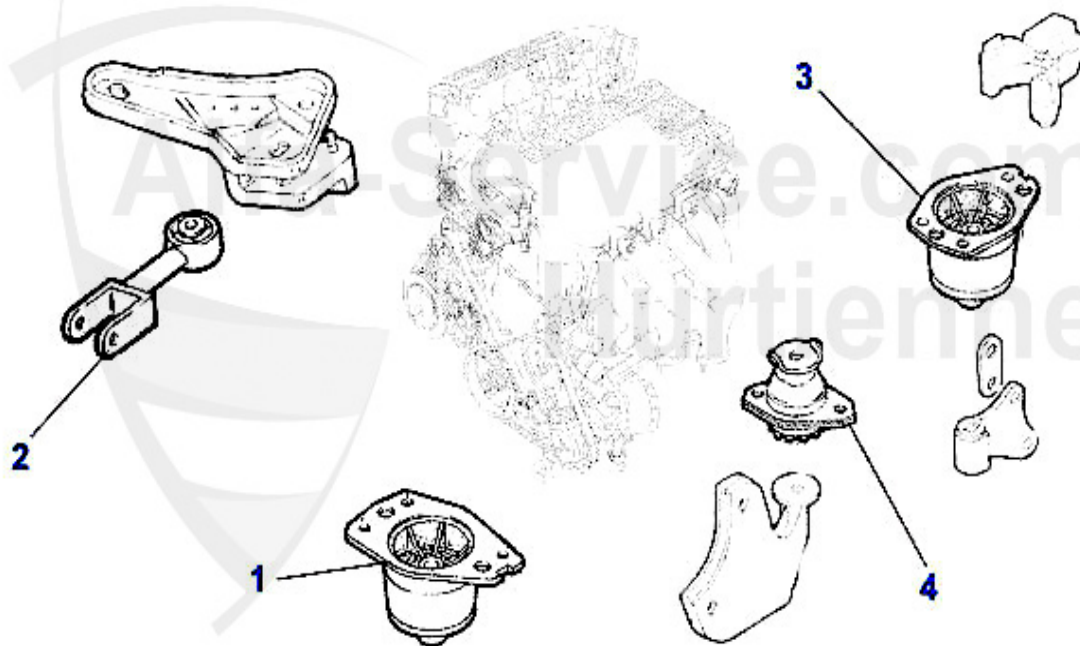
| | | | |
|----------|----------------|---|-------------------|
| 3 | ML67561 | soporte motor trasero 155 TS 8V/2.5 V6 | 109.00 EUR |
| 4 | ML9359 | soporte motor trasero 147,155,156, | 55.81 EUR |

Motorlager/Enginemount 155 1.9 TD



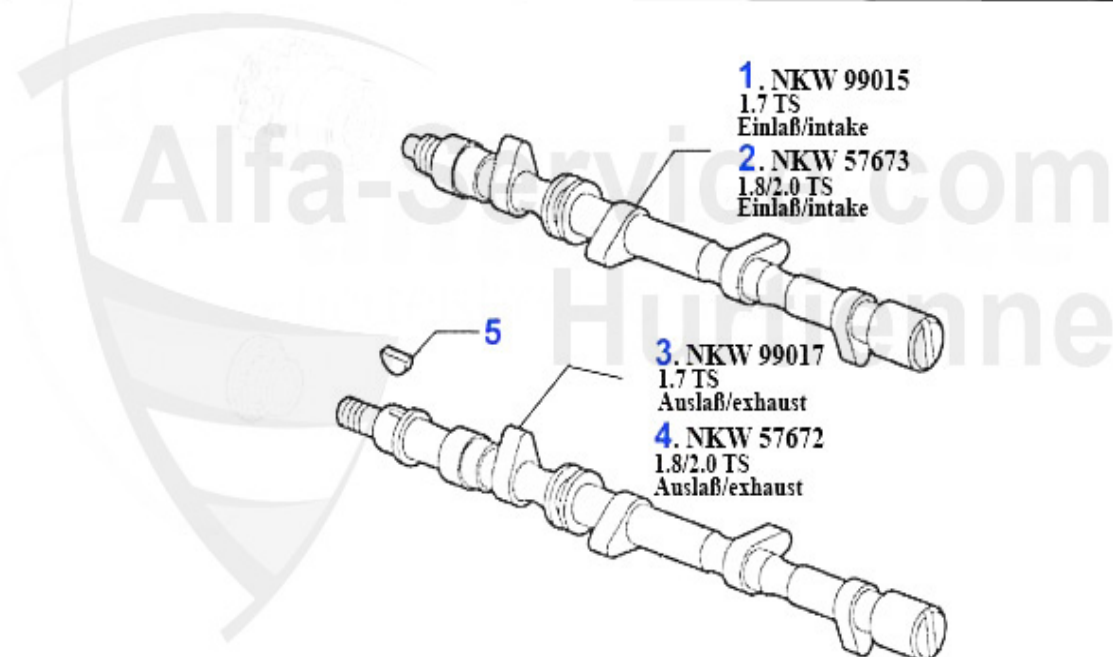
| | | | |
|----------|----------------|---|------------------|
| 1 | ML32301 | soporte motor delantero 145/6 todas versiones, 155 sola | 61.45 EUR |
| 2 | ML3234 | soporte motor del.der. 145/6,147,155,156 gtv/spider (91 | 79.50 EUR |
| 3 | ML32331 | soporte motor trasero 145/6 todas versiones, 155 solame | 71.29 EUR |

Motorlager/Enginemount 155 2.5 TD



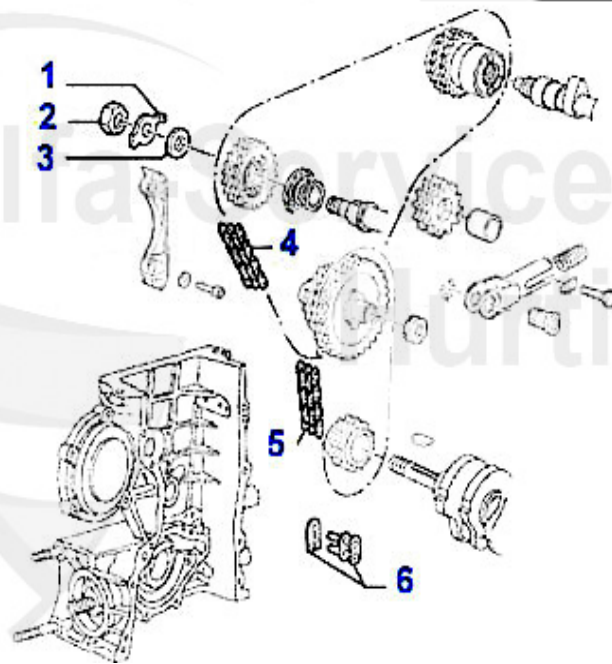
| | | | |
|---|---------|-----------------------------------|-----------|
| 1 | ML64421 | soporte motor del.izq. 155 2.5 TD | 43.60 EUR |
| 2 | ML62575 | bieleta soporte motor 155 2.5 TD | 40.52 EUR |
| 3 | ML64419 | soporte motor post.der.155 2.5 TD | 44.63 EUR |
| 4 | ML64423 | soporte motor post.izq.155 2.5 TD | 26.57 EUR |

Nockenwelle 155 TS 8V



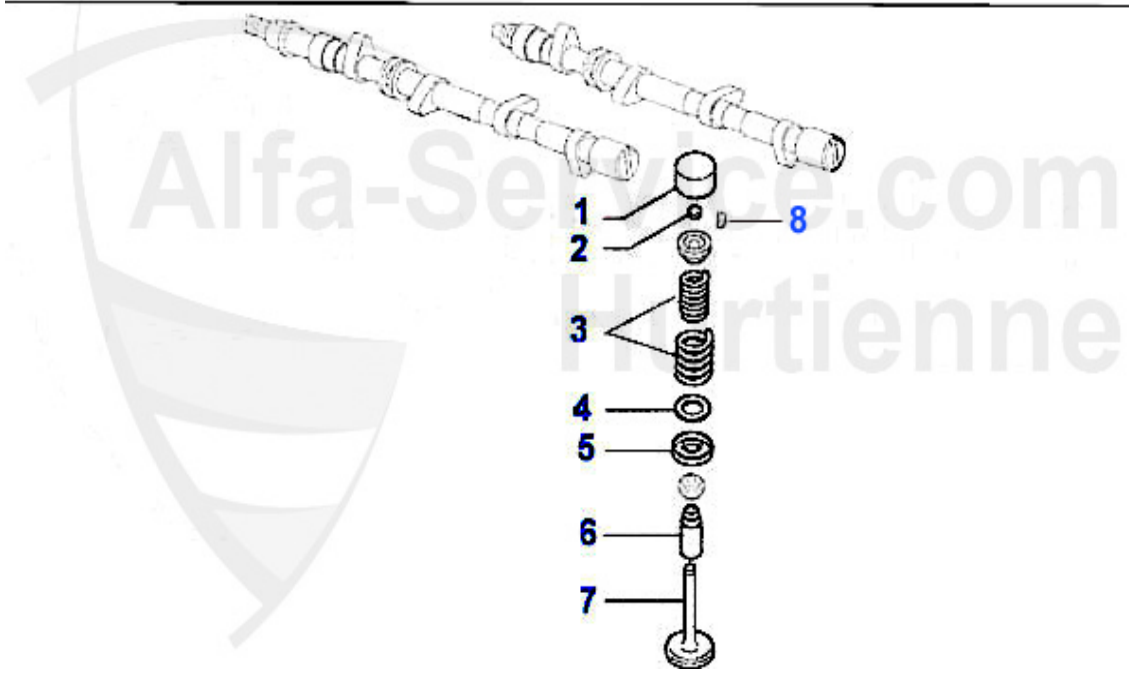
| | | | |
|---|------------|---|------------|
| 1 | NKW99015 | arbol de levas (admision)155 1.7 TS>96 | 354.99 EUR |
| 2 | NKW57673 | arbol de levas (admision),155 1.8/2.0TS >96,164 Super 2 | 225.01 EUR |
| 3 | NKW99017 | arbol de levas(escape) 155 1.7 TS>96 | 320.00 EUR |
| 4 | NKW57672 | arbol de levas (escape) 155 1.8/2.0 TS >96, 164 Super 2 | 225.01 EUR |
| 5 | 03 137 0 0 | cale para arbol de levas | 6.90 EUR |

Steuerkette 155 TS 8V



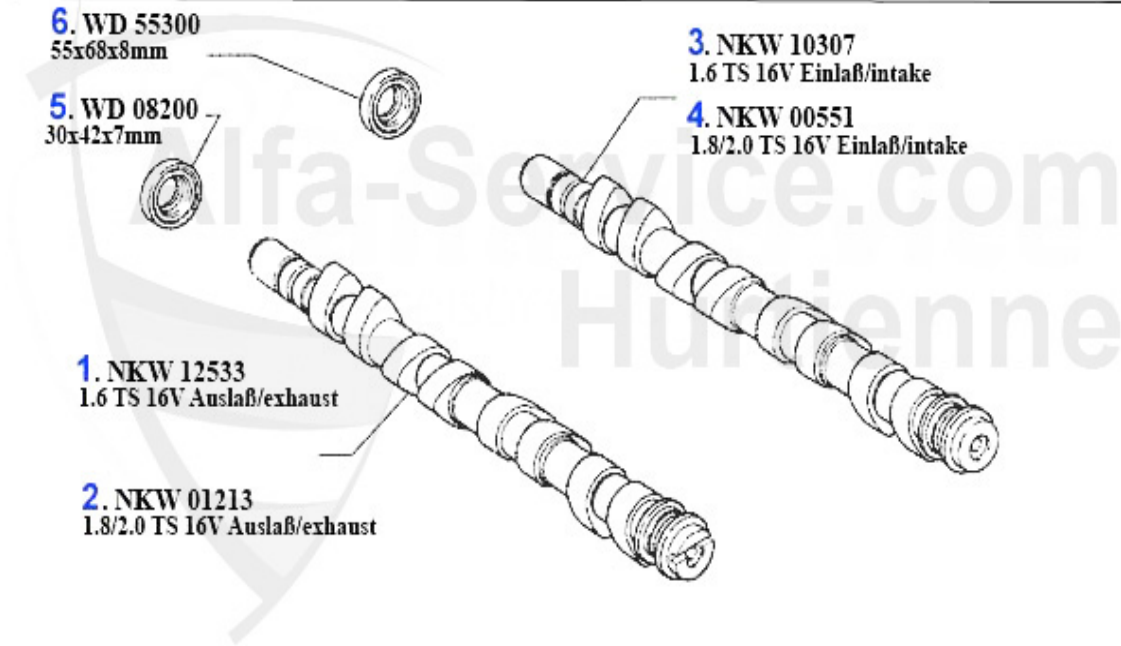
| | | | |
|---|--------------|---|-----------|
| 1 | 03 123 0 0 | platita seg. arbol de levas | 2.34 EUR |
| 2 | 03 121 0 0 | tuerca pinon arbol de levas | 2.20 EUR |
| 3 | 03 122 0 0 | arandela para 03.121.00 | 1.25 EUR |
| 4 | STK13301 | cadena distribucion larga 75,155,164 | 92.50 EUR |
| 5 | 03 047 0 0 R | cadena distribucion IWIS 1300-2000 courte | 69.00 EUR |
| 5 | 03 047 0 0 I | cadena distribucion IWIS 1300-2000 court | 55.00 EUR |
| 5 | 03 047 0 0 | cadena distribucion 1300-2000 corta | 24.50 EUR |
| 6 | 03 048 0 0 | eslabon rapido para cadena distr. | 4.50 EUR |

Ventiltrieb 155 TS 8V



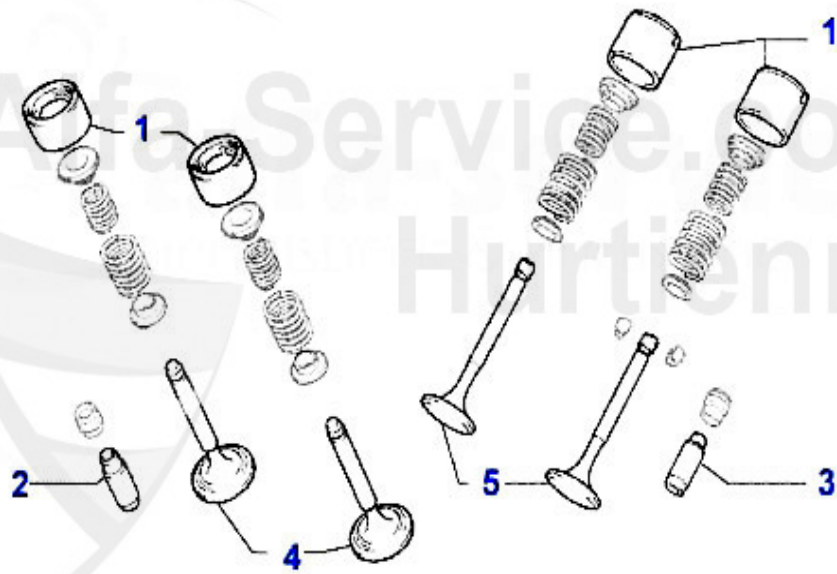
| | | | |
|---|------------|---|------------|
| 1 | 03 083 0 0 | botador de valvula con recubrimiento DLC 101/105/116/75 | 35.00 EUR |
| 1 | 03 068 0 0 | botador de valvula | 16.90 EUR |
| 2 | VEP1085 | pastilla de valvula 8mm TS 8V (caja de 200 piezas de 2, | 548.99 EUR |
| 3 | 03 274 0 0 | juego de 16 muelles valvula | 95.00 EUR |
| 4 | 03 295 0 0 | arandela para cubeta muelle valvula | 3.55 EUR |
| 5 | 03 292 0 0 | cubeta muelle valvula | 9.90 EUR |
| 6 | VFE01258 | guia valvula admision 75,164/Super 2.0TS | 14.90 EUR |
| 6 | VFA80247 | guia valvula escape 155,164/Super 2.0 TS 8V | 14.90 EUR |
| 7 | VE64098 | valvula admision 75,155,164/Super TS 8V | 33.30 EUR |
| 7 | VA12751 | valvula escape 75,155,164/Super TS 8V | 35.00 EUR |
| 8 | VEP1083 | pastilla de valvula 8mm TS 8V (caja de 205 piezas de 1, | 499.00 EUR |
| 8 | VK 8 | Ventilkeil 8mm Twin Spark | 1.20 EUR |

Nockenwelle 155 TS 16V



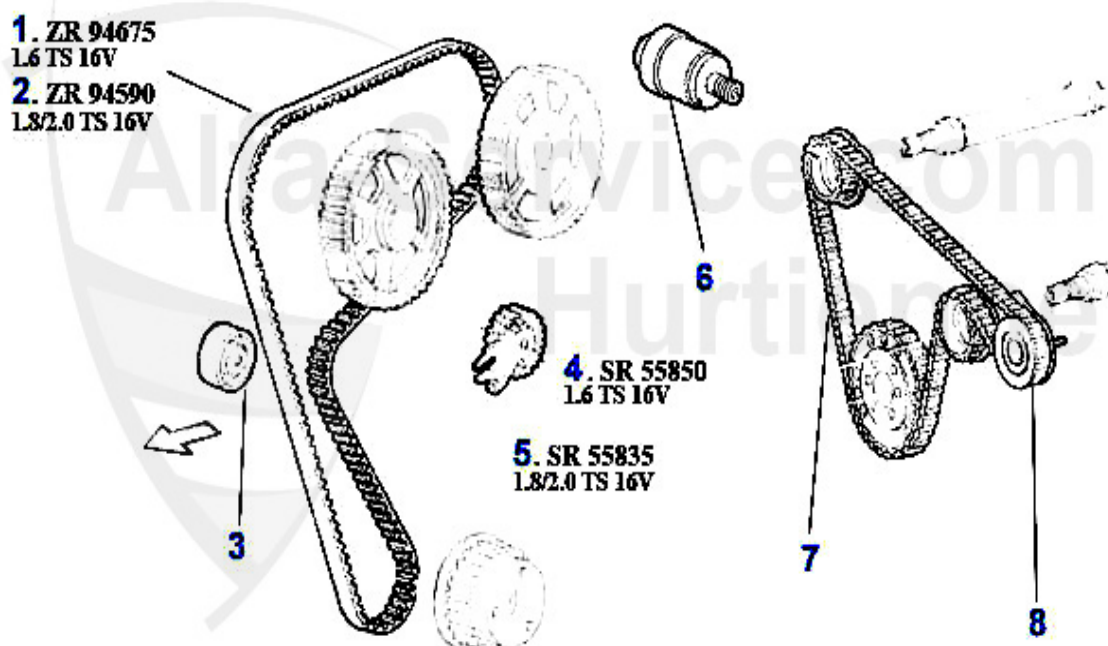
| | | | |
|---|----------|---|-------------------|
| 1 | NKW12533 | arbol de levas (escape) 145/6,147,155, 156, 1.4/1.6 TS | 243.13 EUR |
| 2 | NKW01213 | arbol de levas (escape) 145/6 2.0 TS 16V >96,145/6 1.8 | 419.00 EUR |
| 3 | NKW10307 | arbol de levas (admision) 145/6,155,156 1.4/1.6 TS 16V | 242.11 EUR |
| 4 | NKW00551 | arbol de levas (admision)145/6 2.0 TS 16V >96,145/6 1.8 | Preis auf Anfrage |
| 5 | WD08200 | retén arbol de levas 145/6,155,156,gtv/ spider (916), 1 | 15.51 EUR |
| 6 | WD55300 | retén arbol de levas 145/6,155,156 1.6 1.7/1.8/2.0 16V | 17.90 EUR |

Ventiltrieb 155 TS 16V



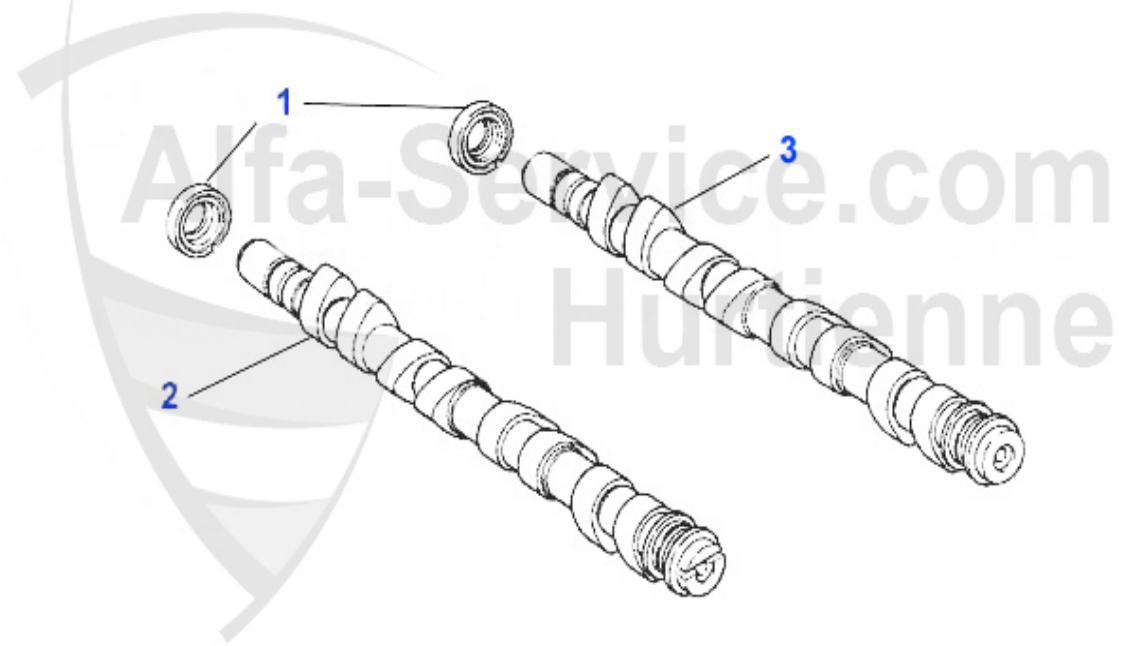
| | | | |
|----------|-----------------|--|------------------|
| 1 | HST12769 | botador hidr. 145/6,147,155,156,166, gtv/spider (916) t | 6.50 EUR |
| 2 | VFA11582 | guia valvula escape + 0.05 TS 16V | 21.03 EUR |
| 3 | VFE11575 | guia valvula admision +0.05 TS 16V | 21.03 EUR |
| 4 | VA91934 | valvula escape 145/6,155,156,spider/gtv (916) 1.6/1.8/2 | 18.05 EUR |
| 5 | VE91933 | valvula admision 145/9,155,156, spider/gtv (916) 1.6/1. | 15.28 EUR |

Zahnriemen 155 TS 16V



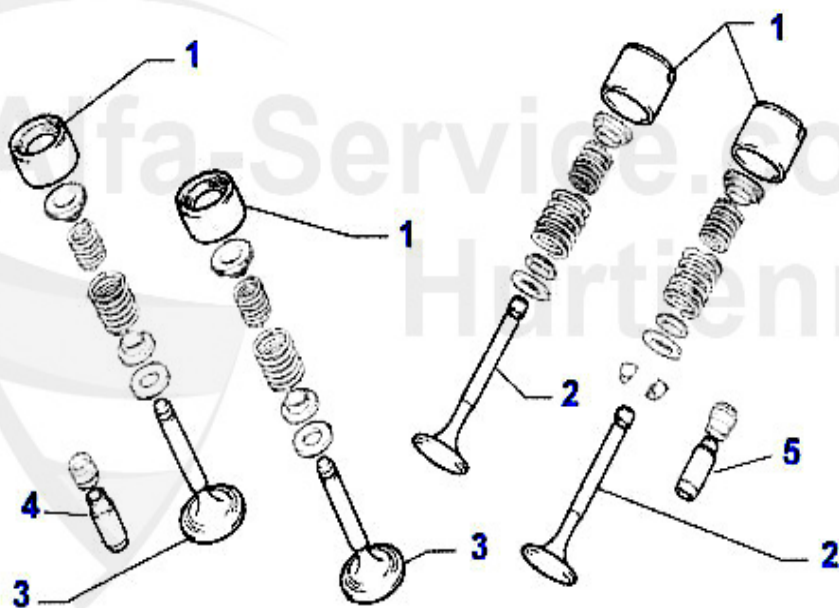
| | | | |
|---|-------------|--|-------------------|
| 1 | ZR94675 | correa dentada 166SHPN240H 145/6,155/6 4 cil. (Mot.CF2/ | 42.58 EUR |
| 2 | ZR94590 | correa dentada 168SHPN240H 145/6 1.8/2.0 ie/16V/TS, 147 | 49.50 EUR |
| 3 | UR55851 | rodillo correa dentada 145/6/7, 155/6, 166,gtv/spider (| 32.50 EUR |
| 4 | SR55850 | rodillo tensor 145/6 1.4 ie 16V TS, 155/6 1.6 ie 16V TS | 36.00 EUR |
| 5 | SR55835 | rodillo tensor 145/6/147,155/156,166, gtv/spider (916) | 89.50 EUR |
| 6 | SZVRS15450 | Reparatursatz Spritzzeitversteller Alfa 145/46 155/6 Sp | Preis auf Anfrage |
| 6 | SZV60666199 | variador de fase ORIGINAL 145/6,155,156,164,166 gtv/spid | Preis auf Anfrage |
| 7 | ZR94591 | correa dentada 130SLDD150H 145/6, 115/6 2.0 16V TS arbo | 66.00 EUR |
| 8 | SR20443 | rodillo tensor para arbol equilibrio 2.0 TS gtv/spider | 39.50 EUR |

Nockenwelle 155 Turbo Q4



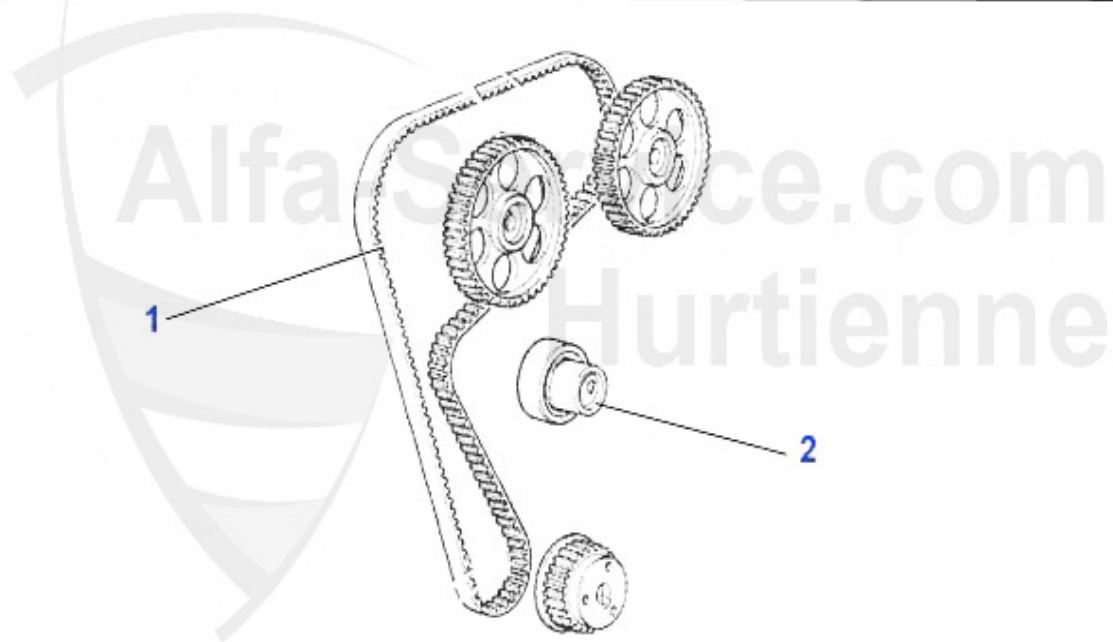
| | | | |
|----------|-----------------|---|-------------------|
| 1 | WD08200 | retén arbol de levas 145/6,155,156,gtv/ spider (916), 1 | 15.51 EUR |
| 2 | NKW05830 | arbol de levas (escape) 155 2.0 16V Turbo | 313.61 EUR |
| 3 | NKW05829 | Nockenwelle (Einlaß) 155 2.0 16V Turbo | 381.99 EUR |

Ventiltrieb 155 Turbo Q4



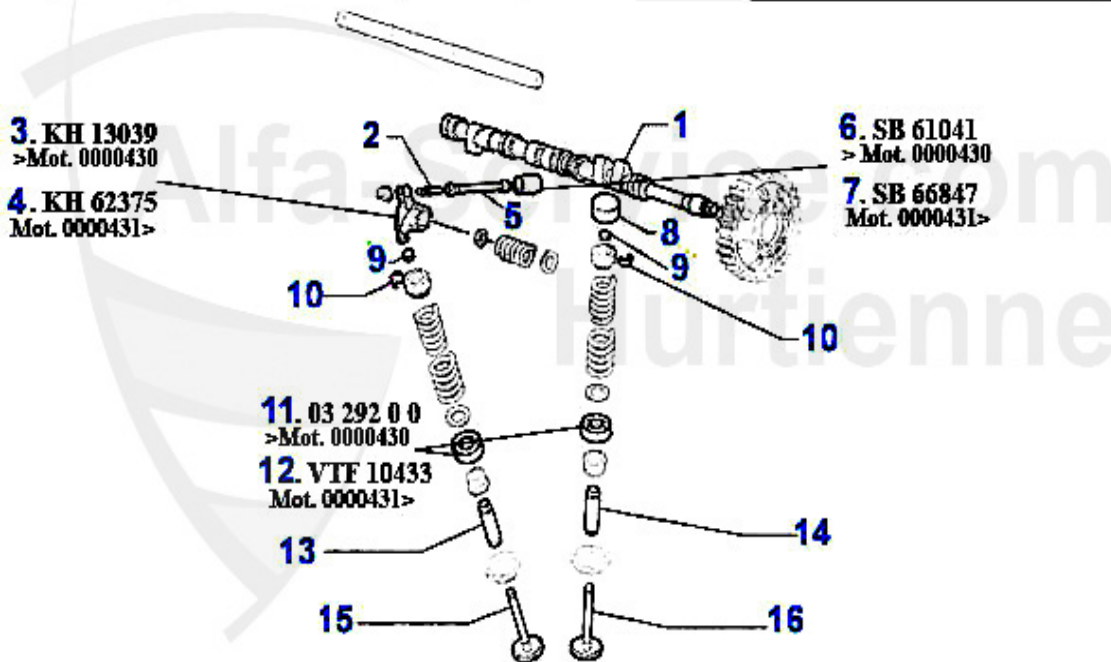
| | | | |
|----------|-----------------|--|------------------|
| 1 | HST52447 | botador hidr. 145/6,155,156,166,TD/JTD | 14.26 EUR |
| 2 | VE22907 | valvula admision 155 Turbo Q4 | 22.50 EUR |
| 3 | VA50916 | valvula escape 155 Turbo Q4 | 55.91 EUR |
| 4 | VFA11680 | guia valvula escape 155 Turbo Q4 | 15.90 EUR |
| 5 | VFE16992 | guia valvula admision 155 Turbo Q4 0.05 | 5.21 EUR |

Zahnriemen 155 Turbo Q4



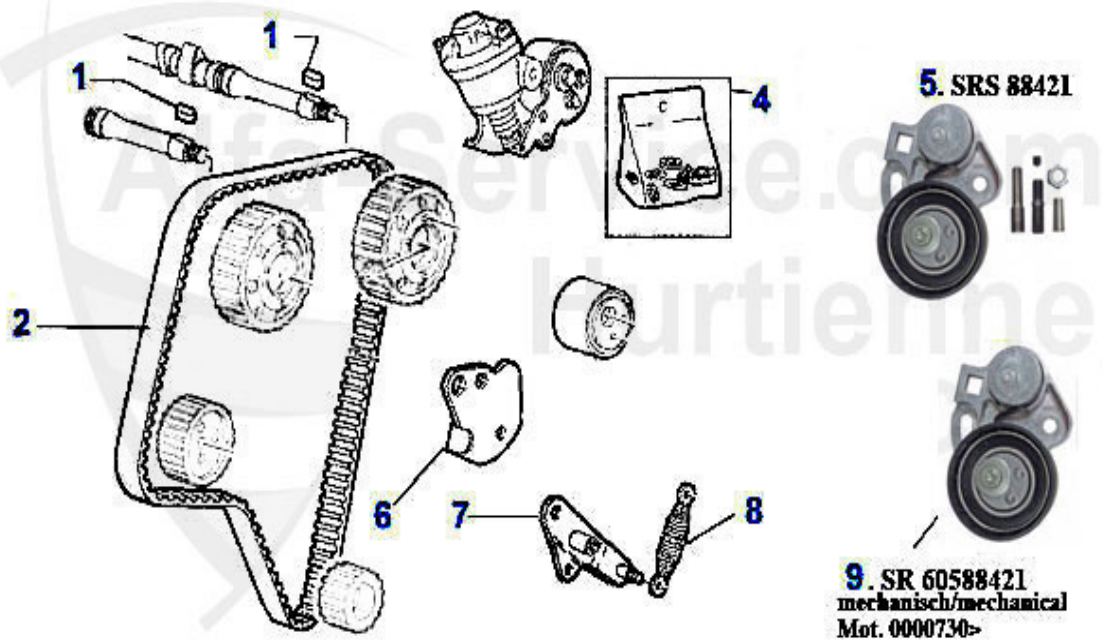
| | | | |
|----------|----------------|---|------------------|
| 1 | ZR94491 | correa dentada 173SHP180H 155 16V Turbo arbol de levas | 42.79 EUR |
| 2 | SR55804 | rodillo tensor 155 Turbo Q4 | 44.49 EUR |

Ventiltrieb 155 2.5 V6



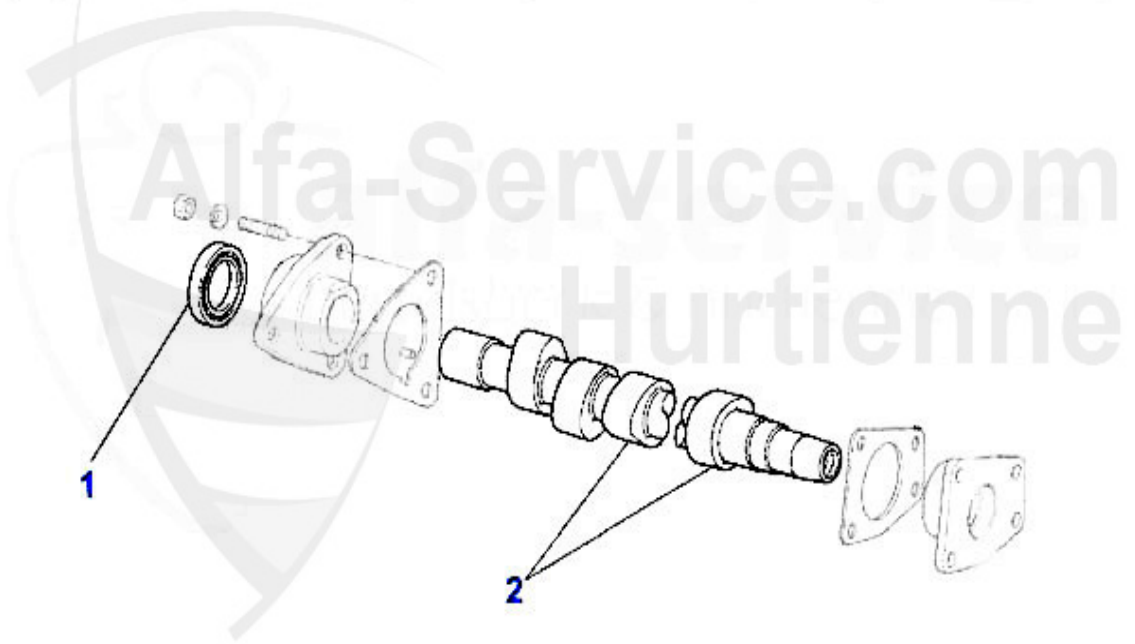
| | | | |
|----|------------|---|-------------------|
| 1 | NKW00454 | arbol de levas der 155 2.5 V6 | 499.00 EUR |
| 1 | NKW00455 | arbol de levas izq. 155 2.5 V6 | 499.00 EUR |
| 3 | KH13039 | balancin escape 75,155,164,RZ,SZ | 47.12 EUR |
| 4 | KH62375 | balancin escape 155,164/Super,166,gtv/ spider (916) | 109.00 EUR |
| 5 | SS07401 | tige botador (cote ech) 75,155,164,166, RZ,SZ gtv/spide | Preis auf Anfrage |
| 6 | SB61041 | botador (lado escape) 75,155,164,RZ,SZ, GTV/6 | 26.50 EUR |
| 7 | SB66847 | botador (lado escape) 155,164 Super, 166,gtv/spider (91 | 20.25 EUR |
| 8 | 03 068 0 0 | botador de valvula | 16.90 EUR |
| 8 | 03 083 0 0 | botador de valvula con recubrimiento DLC 101/105/116/75 | 35.00 EUR |
| 9 | 03 114 0 0 | pastilla de valvula (caja de 200 piezas de 2,525 a 3,50 | 559.00 EUR |
| 9 | 03 084 0 0 | pastilla de valvula (caja de 205 piezas de 1,500 à 2,50 | 559.00 EUR |
| 10 | 03 296 0 0 | semi-cala valvula | 1.90 EUR |
| 11 | 03 292 0 0 | cubeta muelle valvula | 9.90 EUR |
| 12 | VTF10433 | cubeta muelle valvula 155,164/Super | 6.81 EUR |
| 13 | VFA815609 | guia valvula escape 2.5/3.0 V6,75,90,164 Super,RZ,SZ,gt | 13.49 EUR |
| 14 | VFE05739 | guia valvula admision 155,166 2.5 V6 nouvelle version | 22.50 EUR |
| 15 | VE91624 | valvula admision 2.5 V6 6,75,90, GTV 6-116 | 32.00 EUR |
| 16 | VA91625 | valvula escape 2.5 V6 6,75,90,GTV6-116 | 29.90 EUR |

Zahnriemen 155 2.5 V6



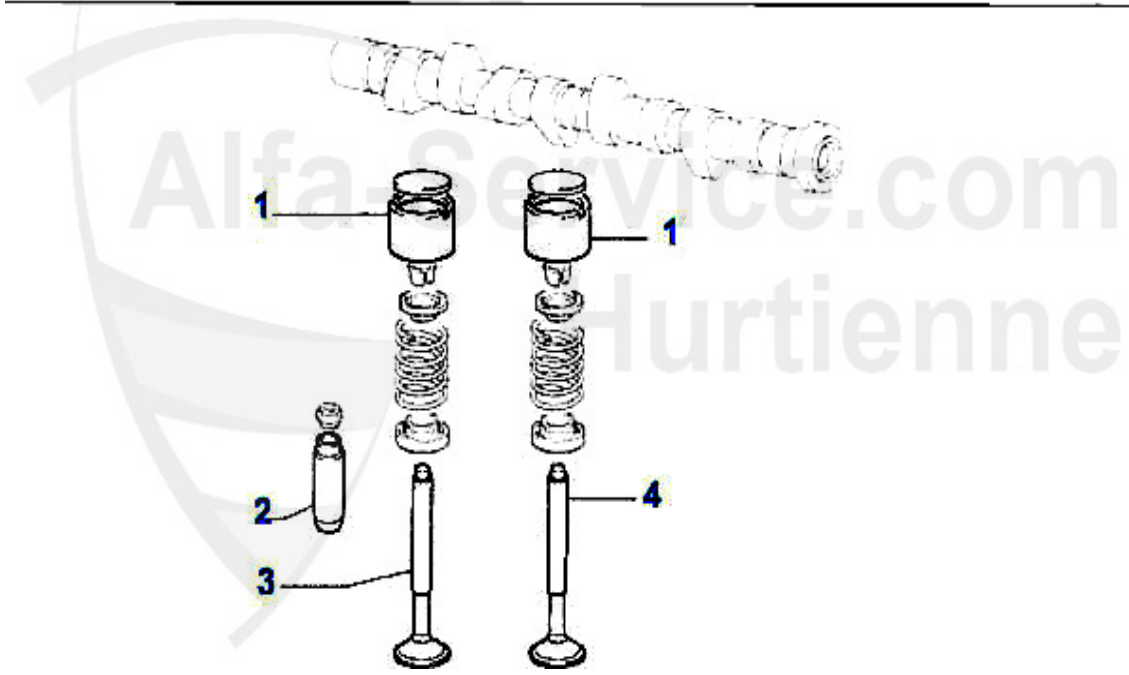
| | | | |
|---|------------|---|-------------------|
| 1 | 03 137 0 0 | cale para arbol de levas | 6.90 EUR |
| 2 | ZR94411 | correa dentada 134SP254C 155,164,gtv/ Spider (916) V6 a | 49.90 EUR |
| 4 | DS77065 | kit de juntas para tensor hidraulico 75,155,164,RZ,SZ, | 44.49 EUR |
| 5 | SRS88421 | kit modif rodillo tensor V6 hidraulico > mecanico con p | 239.00 EUR |
| 6 | SRPL7320 | placa soporte tensor 60808222 | 4.62 EUR |
| 7 | SR13023 | soporte para tensor correa 75, 155,164/Super,RZ/SZ,GTV/ | 33.34 EUR |
| 8 | SF07469 | muelle para tensor correa 75,155,164,RZ, SZ V6 | Preis auf Anfrage |
| 9 | SR60588421 | rodillo tensor mecanico 155,164 Super, gtv/spider (916) | 149.00 EUR |
| 9 | SR02521 | rodillo tensor mecanico 155,164 Super, GTV/Spider 916 | 199.00 EUR |

Nockenwelle 155 1.9 TD



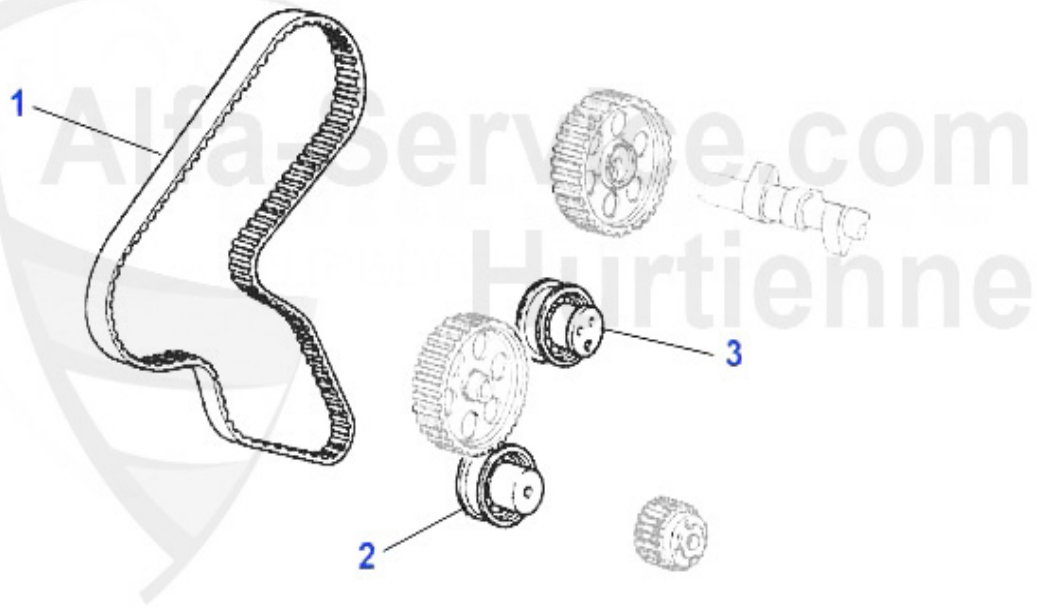
| | | | |
|----------|-----------------|--|-------------------|
| 1 | WD09700 | retén arbol de levas 145/6,155, 1.9 TD 93-99 164 2.0 T | 6.37 EUR |
| 2 | NKW52986 | arbol de levas 145/6,155 1.9 TD | 234.92 EUR |

Ventiltrieb 155 1.9 TD



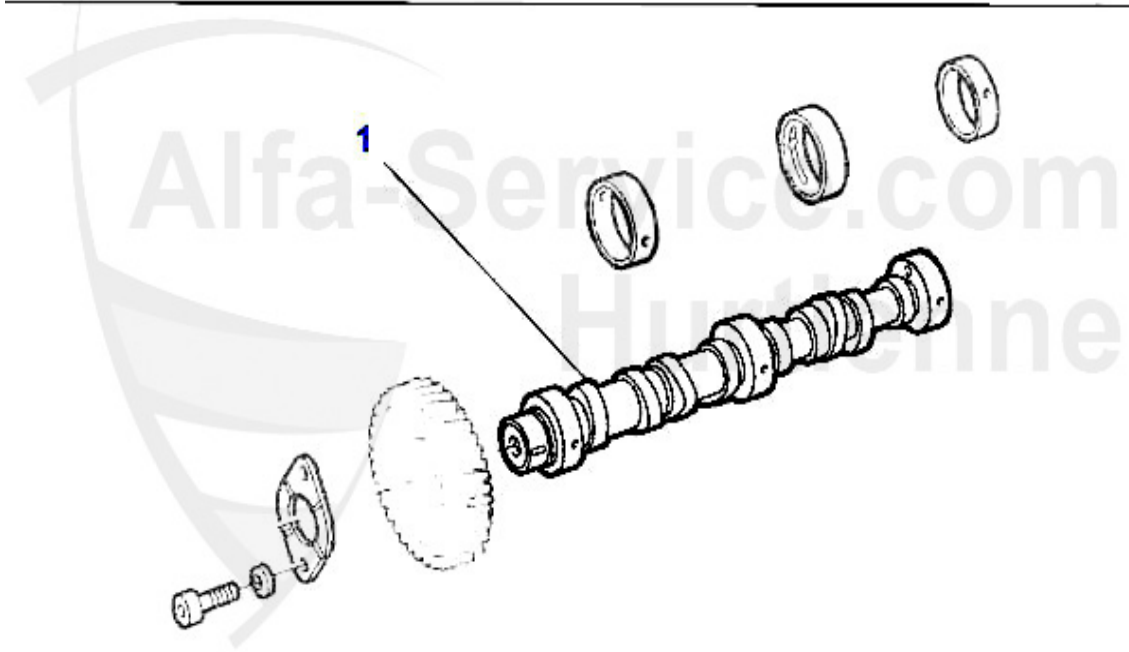
| | | | |
|---|-----------|---|-----------|
| 1 | HST52447 | botador hidr. 145/6,155,156,166,TD/JTD | 14.26 EUR |
| 2 | VFEA72160 | guia valvula admision/escape 145/6,155 1.9 TD +0.05 | 6.31 EUR |
| 3 | VE91291 | valvula admision 145/6,155 1.9 TD | 33.13 EUR |
| 4 | VA91321 | valvula escape 145/6,155 1.9 TD | 31.29 EUR |

Zahnriemen 155 1.9 TD



| | | | |
|----------|----------------|---|------------------|
| 1 | ZR94138 | correa dentada 173SHP220 145/6 1.9 TD arbol de levas | 30.68 EUR |
| 2 | UR55825 | rodillo correa dentada 145/6,155 1.9 TD | 61.04 EUR |
| 3 | SR55829 | rodillo tensor 145/6,155 1.9 TD | 68.22 EUR |

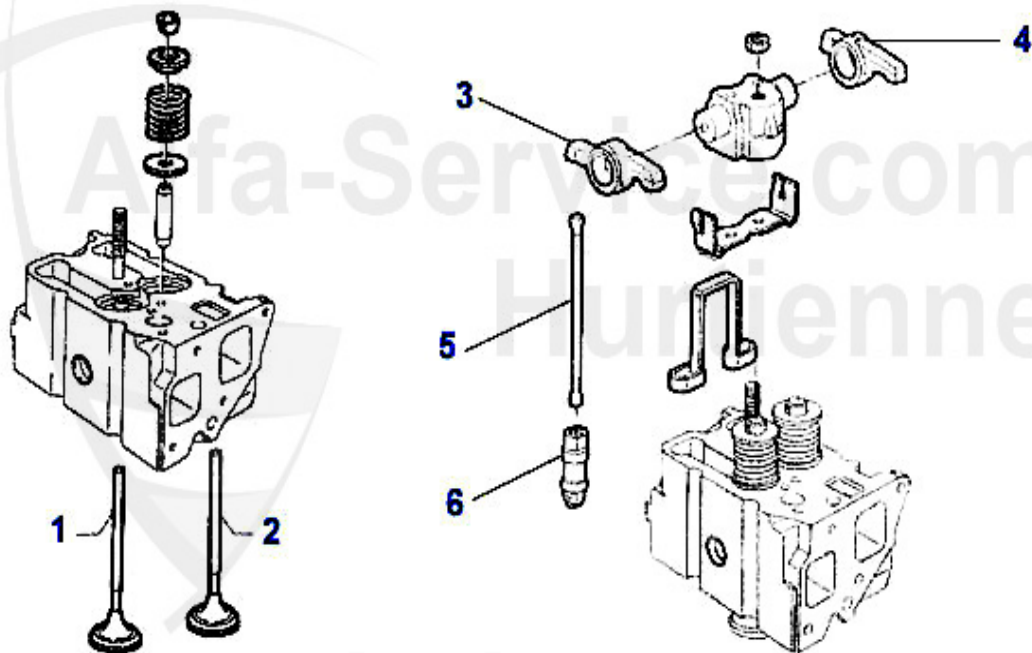
Nockenwelle 155 2.5 TD



1 NKW15282 arbol de levas 155,164 Super 2.5 TD (CEE F2)

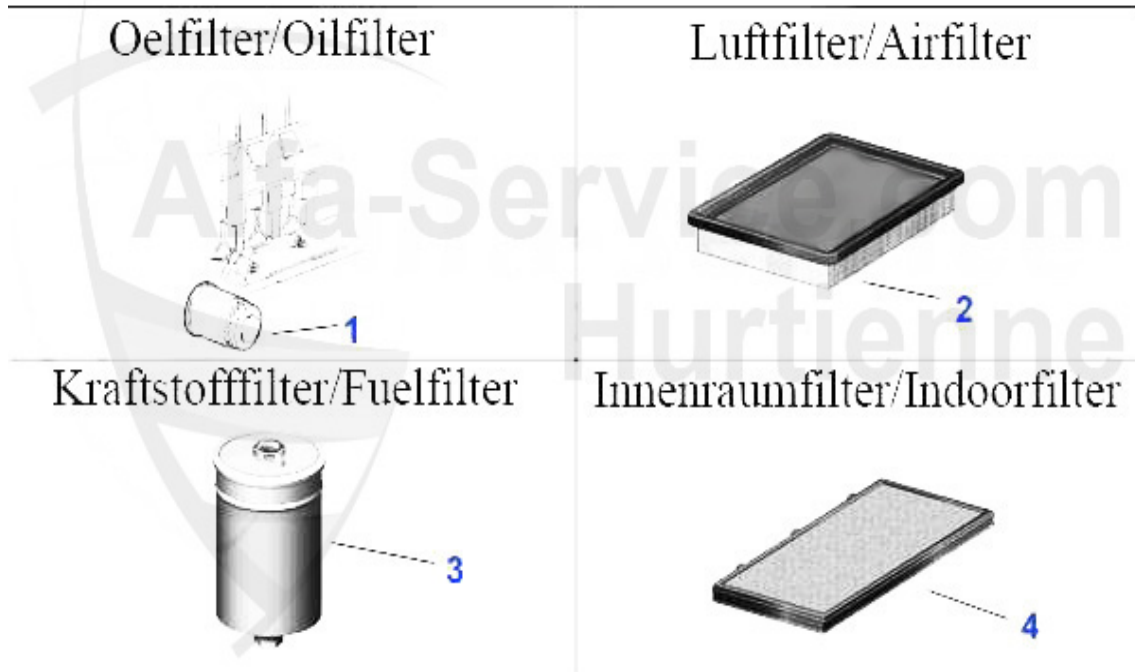
337.51 EUR

Ventiltrieb 155 2.5 TD



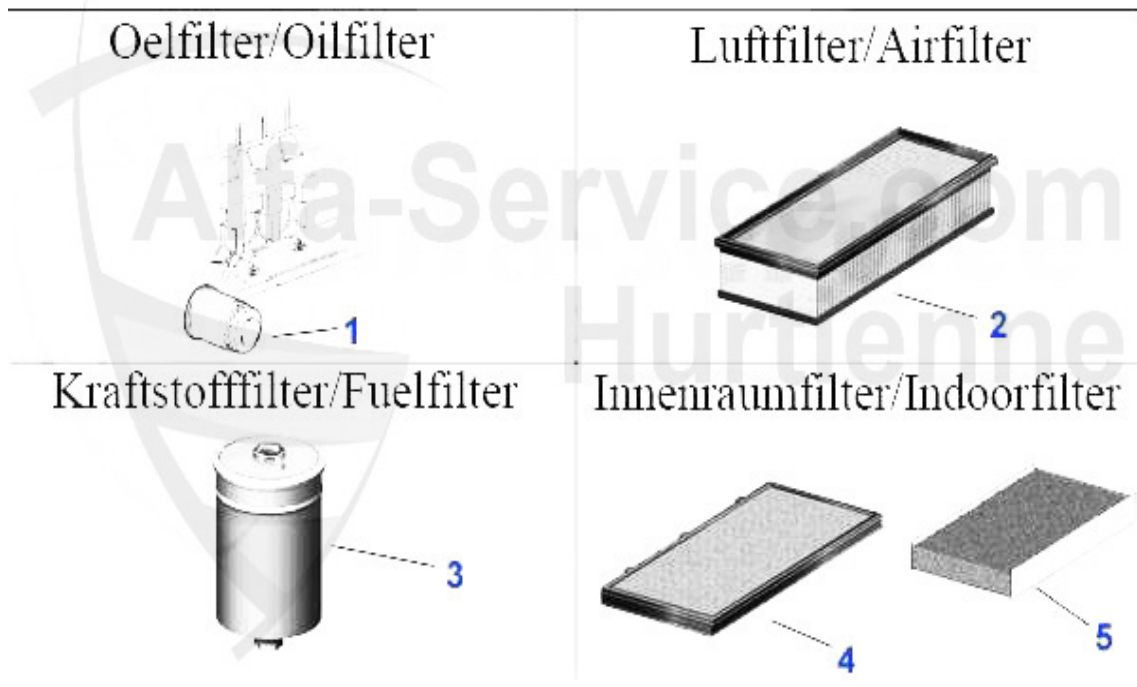
| | | | |
|---|----------|---|-----------|
| 1 | VA91438 | valvula escape 155,164/Super 2.5 TD 33 (905/7)1.8 TD,75 | 81.55 EUR |
| 2 | VE91437 | valvula admision 155,164/Super 2.5 TD 33, (905/7) 1.8 T | 37.85 EUR |
| 3 | KH16982 | balancin escape 155,164/Super 2.5 TD | 46.16 EUR |
| 4 | KH16983 | balancin admision 155,164/Super 2.5 TD | 46.16 EUR |
| 5 | SS17012 | vastago botador 155,164/Super 2.5 TD | 13.23 EUR |
| 6 | HST17014 | botador 155,164/Super 2.5 TD | 22.57 EUR |

Filter 155 TS 8V



| | | | |
|----------|--------------|---|------------------|
| 1 | OF125 | filtro aceite Sud/Sprint, 116 4-cil., 145/6,155,164/Sup | 16.51 EUR |
| 2 | LF280 | filtro aire 145/6/155 >96 gtv/spider (916) >98, | 17.50 EUR |
| 3 | KF96 | filtro carburante Sud/Sprint,33 (905/7), 145/6,155, ros | 25.99 EUR |
| 4 | IF309 | filtro antipolen 145/6/155 >96 gtv/spider (916) >98, | 26.91 EUR |

Filter 155 TS 16V



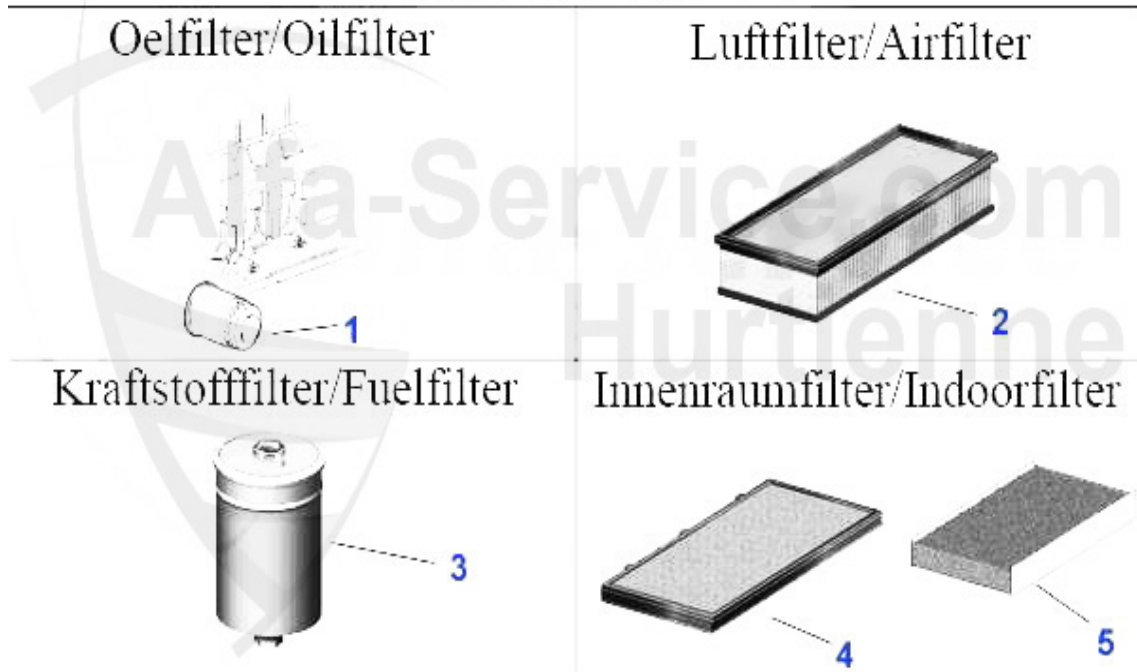
| | | | |
|----------|--------------|---|------------------|
| 1 | OF519 | filtro aceite 145/6,147,155,156,166, gtv/spider (916), | 8.90 EUR |
| 2 | LF841 | filtro aire 145/6 TS 16V,1.9 JTD,155 TS 16V rect. | 10.15 EUR |
| 3 | KF96 | filtro carburante Sud/Sprint,33 (905/7), 145/6,155, ros | 25.99 EUR |
| 4 | IF309 | filtro antipolen 145/6/155 >96 gtv/spider (916) >98, | 26.91 EUR |
| 5 | IF314 | filtro antipolen 145/6/155 96> gtv/spider (916) 98> | 26.91 EUR |

Filter 155 Turbo Q4 16V



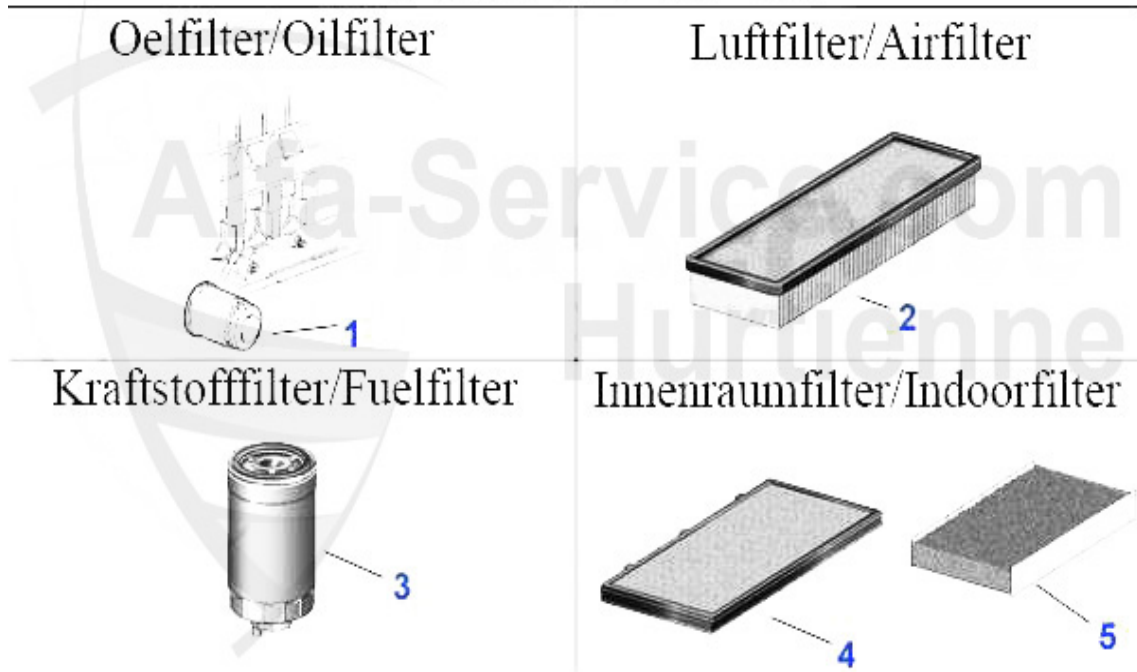
| | | | |
|----------|--------------|---|------------------|
| 1 | OF125 | filtro aceite Sud/Sprint, 116 4-cil., 145/6,155,164/Sup | 16.51 EUR |
| 2 | LF280 | filtro aire 145/6/155 >96 gtv/spider (916) >98, | 17.50 EUR |
| 3 | KF5 | filtre carburante 155 2.0 16V Turbo (roscado) | 19.90 EUR |
| 4 | IF309 | filtro antipolen 145/6/155 >96 gtv/spider (916) >98, | 26.91 EUR |

Filter 155 2.5 V6



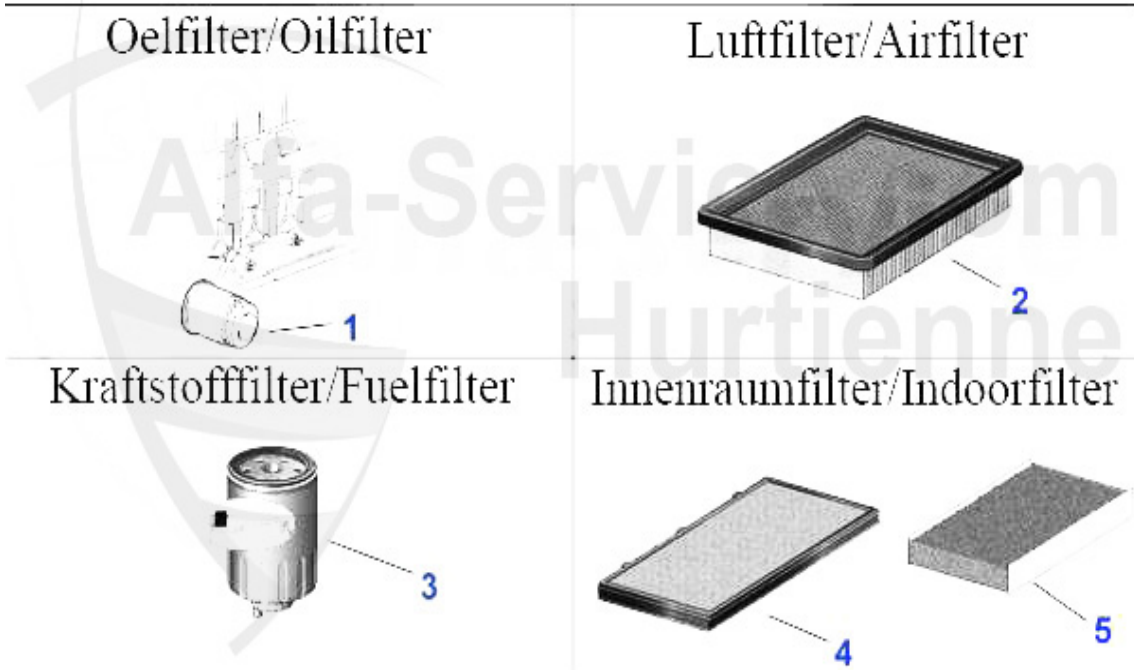
| | | | |
|----------|--------------|---|------------------|
| 1 | OF125 | filtro aceite Sud/Sprint, 116 4-cil., 145/6,155,164/Sup | 16.51 EUR |
| 1 | OF124 | filtro aceite 147,155,156,164,166,gtv/ spider (916),nuo | 9.13 EUR |
| 2 | LF280 | filtro aire 145/6/155 >96 gtv/spider (916) >98, | 17.50 EUR |
| 3 | KF96 | filtro carburante Sud/Sprint,33 (905/7), 145/6,155, ros | 25.99 EUR |
| 4 | IF309 | filtro antipolen 145/6/155 >96 gtv/spider (916) >98, | 26.91 EUR |
| 5 | IF314 | filtro antipolen 145/6/155 96> gtv/spider (916) 98> | 26.91 EUR |

Filter 155 1.9 TD



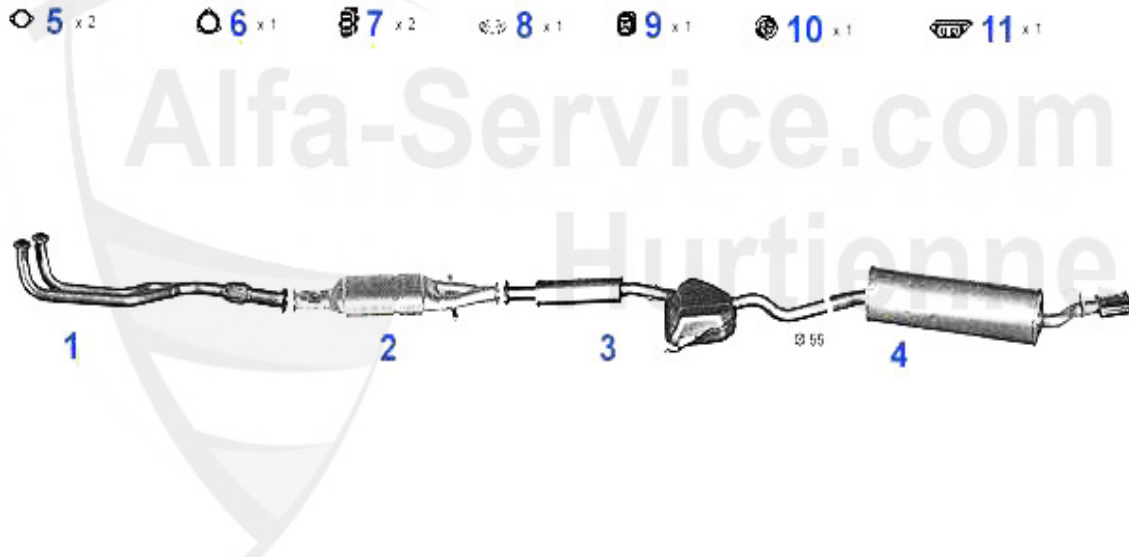
| | | | |
|----------|--------------|---|------------------|
| 1 | OF125 | filtro aceite Sud/Sprint, 116 4-cil., 145/6,155,164/Sup | 16.51 EUR |
| 2 | LF358 | filtro aire 145/6,155 1.9 TD rect. | 13.23 EUR |
| 3 | KF234 | filtro carburante 6,33,75,90,145/6,155 164,Alfetta, Gui | 19.08 EUR |
| 4 | IF309 | filtro antipolen 145/6/155 >96 gtv/spider (916) >98, | 26.91 EUR |
| 5 | IF314 | filtro antipolen 145/6/155 96> gtv/spider (916) 98> | 26.91 EUR |

Filter 155 2.5 TD



| | | | |
|----------|--------------|---|------------------|
| 1 | OF123 | filtro aceite Sud/Sprint,33(905/7) 116 6-cilindros/Turb | 11.00 EUR |
| 2 | LF280 | filtro aire 145/6/155 >96 gtv/spider (916) >98, | 17.50 EUR |
| 3 | KF57B | filtro carburante 155,164/Super 2.5 TD, (roscado) | 29.49 EUR |
| 4 | IF309 | filtro antipolen 145/6/155 >96 gtv/spider (916) >98, | 26.91 EUR |
| 5 | IF314 | filtro antipolen 145/6/155 96> gtv/spider (916) 98> | 26.91 EUR |

Abgasanlage/Exhaust System 155 TS 8V



155 TWIN SPARK 1.7/1.8/2.0

'92-'96

| | | | |
|----|-----------|---|------------|
| 1 | VR115601 | latiguillo escape 155 1.7-2.0 TS 92-96 | 208.76 EUR |
| 3 | MSD115609 | silenciador intermediario 155 TS 1.7-2.0 92-96 | 169.00 EUR |
| 4 | NSD115607 | silenciador terminal 155 TS 1.7-2.0 92-96 155 2.5 V6 | 159.00 EUR |
| 5 | SAT094413 | junta escape primario Alfetta, Giulietta, 75,90,155,164 | 6.00 EUR |
| 6 | SAT094411 | junta sil. primario/catalizador 155 TS, 164 3.0 V6 | 6.50 EUR |
| 7 | SAT091069 | silent bloc/soporte escape catalizador 155 | 3.28 EUR |
| 8 | SAT094003 | aro silenciador | 10.50 EUR |
| 9 | SAT091124 | silent bloc/soporte escape 145/6 ESD 155 MSD | 3.90 EUR |
| 10 | SAT091012 | silent bloc/soporte escape | 4.00 EUR |
| 11 | SAT091041 | silent bloc/soporte escape 145/6, 155 ESD | 4.50 EUR |

155 > escape > escape > TS 16V Bj. >4.96

Abgasanlage/Exhaust System 155 2.0 TS 16V Bj. >4.96



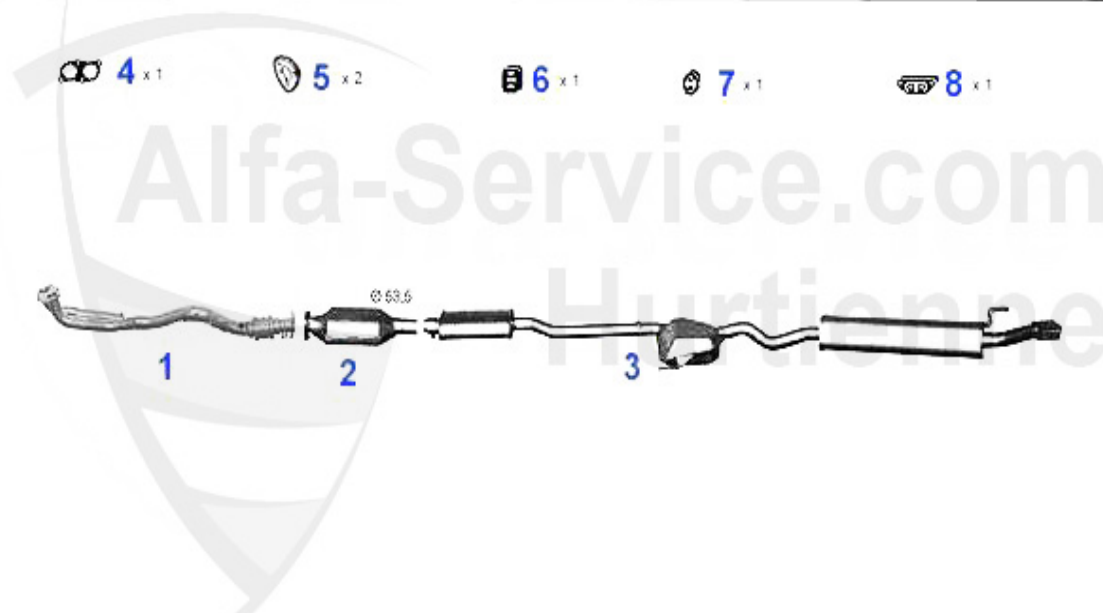
155 2.0i 16V TWIN SPARK

4/'95-4/'96

| | | | |
|----|-----------|---|------------|
| 1 | VSD102101 | silenciador primario spider/gtv (916) 1.8 & 2.0 TS 95>1 | 219.00 EUR |
| 3 | MSD116103 | silenciador intermediario 155 2.0 16V TS 95-96 145 QV, | 136.96 EUR |
| 4 | ESD116109 | silenciador interm.+terminal 155 2.0 16V TS 4.95-4.96 | 399.00 EUR |
| 5 | SAT094474 | junta escape primario spider/gtv (916) 145/6,155,156 2. | 10.77 EUR |
| 6 | SAT094487 | junta catalizador spider/gtv (916) | 5.08 EUR |
| 7 | SAT094002 | aro catalizador | 8.90 EUR |
| 8 | SAT091124 | silent bloc/soporte escape 145/6 ESD 155 MSD | 3.90 EUR |
| 9 | SAT091140 | silent bloc/soporte escape 145/6, ESD 16V TS,155 2.0 16 | 4.19 EUR |
| 10 | SAT091041 | silent bloc/soporte escape 145/6, 155 ESD | 4.50 EUR |

155 > escape > escape > TS 16V Bj. 5.96>

Abgasanlage/Exhaust System 155 TS 16V

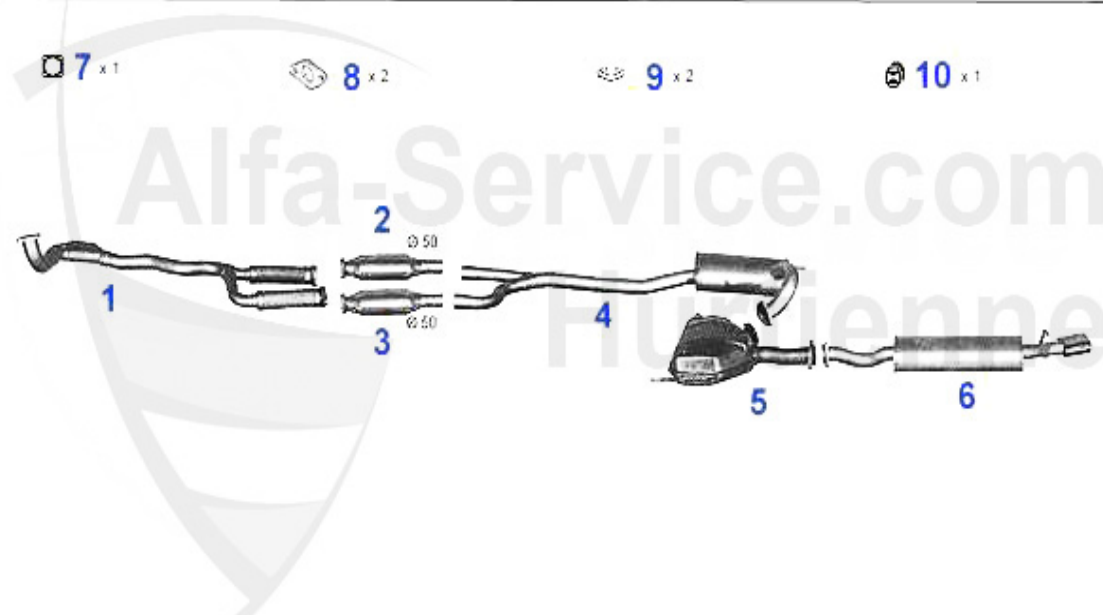


155 16V TWIN SPARK 1.6/1.8/2.0

5/'96-'97

| | | | |
|---|-----------|---|------------|
| 1 | VSD116201 | silenciador primario 145/6 1.4-2.0 16V TS 97> 155 1.6-2 | 159.01 EUR |
| 2 | KAT116233 | catalizador 145/6 1.4-2.0 16V TS 97> 155 1.6-2.0 16V TS | 646.29 EUR |
| 3 | ESD116209 | silenciador terminal 155 1.6-2.0 16V TS 96-97 | 289.00 EUR |
| 4 | SAT094474 | junta escape primario spider/gtv (916) 145/6,155,156 2. | 10.77 EUR |
| 5 | SAT256625 | junta catalizador 145/6 97>, 155 TS 16V | 7.13 EUR |
| 6 | SAT091124 | silent bloc/soporte escape 145/6 ESD 155 MSD | 3.90 EUR |
| 7 | SAT091140 | silent bloc/soporte escape 145/6, ESD 16V TS,155 2.0 16 | 4.19 EUR |
| 8 | SAT091041 | silent bloc/soporte escape 145/6, 155 ESD | 4.50 EUR |

Abgasanlage/Exhaust System 155 Turbo Q4

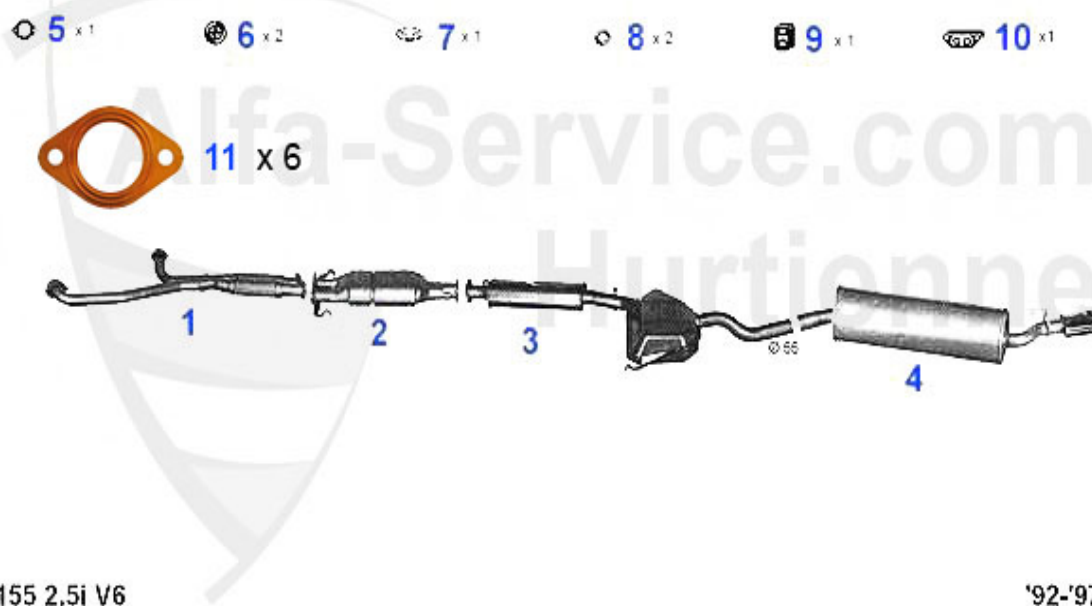


155 2.0i TURBO 16V Q.4

'92-'97

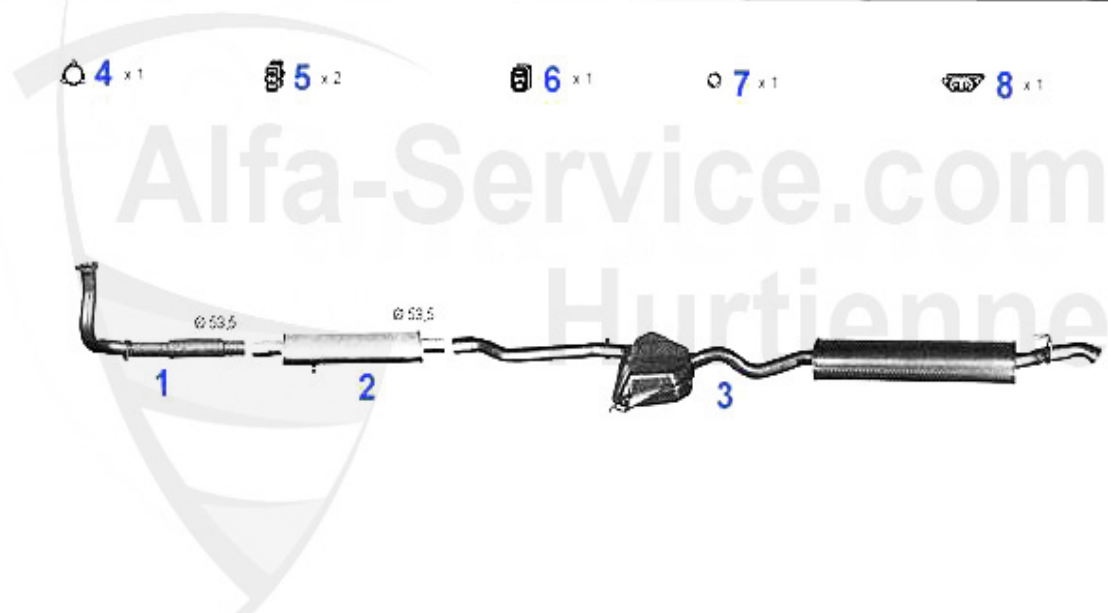
| | | | |
|----|-----------|---|------------|
| 4 | MSD115703 | silenciador intermediario 155 2.0 turbo 16V TS | 379.00 EUR |
| 5 | MSD115706 | silenciador intermediario 155 2.0 turbo 16V TS | 239.00 EUR |
| 6 | NSD115707 | silenciador terminal 155 2.0 turbo 16V TS | 199.00 EUR |
| 7 | SAT094410 | junta escape primario 155,164 turbo | 25.13 EUR |
| 9 | SAT094003 | aro silenciador | 10.50 EUR |
| 10 | SAT091014 | silent bloc/soporte escape sil. terminal spider/gtv (91 | 4.11 EUR |

Abgasanlage/Exhaust System 155 2.5 V6



| | | | |
|----|-----------|---|------------|
| 1 | VR115901 | latiguillo escape con cat. 155 2.5 V6 | 299.00 EUR |
| 2 | KAT115933 | catalizador 155 2.5 V6 | 369.00 EUR |
| 3 | MSD115909 | silenciador intermediario 155 2.5 V6 | 305.00 EUR |
| 4 | NSD115607 | silenciador terminal 155 TS 1.7-2.0 92-96 155 2.5 V6 | 159.00 EUR |
| 5 | SAT094413 | junta escape primario Alfetta, Giulietta, 75,90,155,164 | 6.00 EUR |
| 6 | SAT091012 | silent bloc/soporte escape | 4.00 EUR |
| 7 | SAT094003 | aro silenciador | 10.50 EUR |
| 8 | SAT091011 | aro caucho - soporte escape | 2.50 EUR |
| 9 | SAT091124 | silent bloc/soporte escape 145/6 ESD 155 MSD | 3.90 EUR |
| 10 | SAT091041 | silent bloc/soporte escape 145/6, 155 ESD | 4.50 EUR |
| 11 | AGKD06636 | junta colector escape 75,155,164,Super, RZ,SZ,GTV Spide | 5.89 EUR |

Abgasanlage/Exhaust System 155 1.9 TD



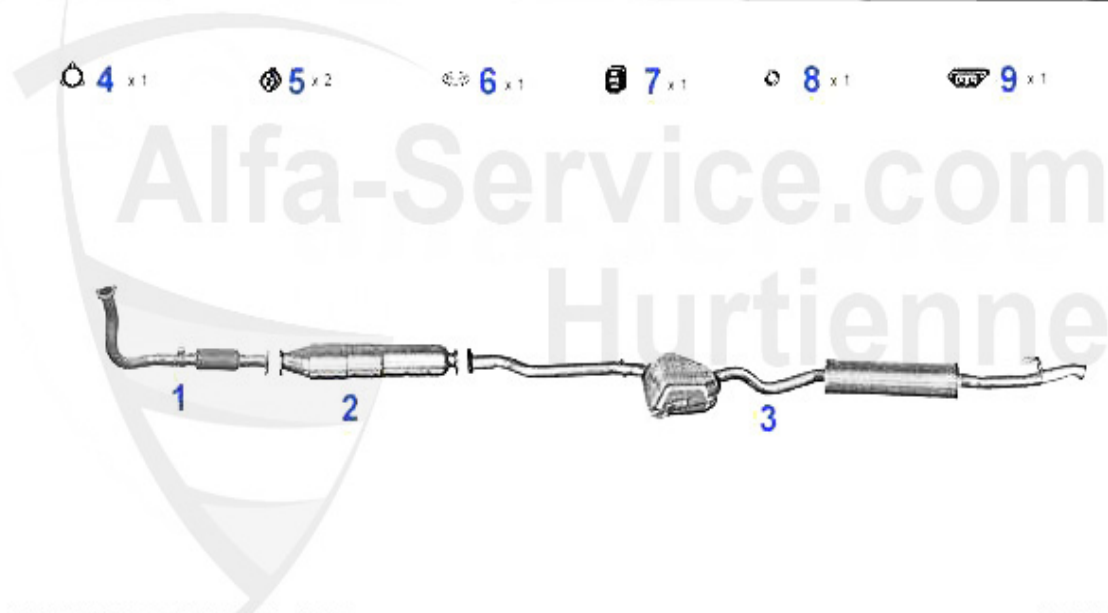
155 1.9 TURBO DIESEL

'93-'97

| | | | |
|---|-----------|---|-------------------|
| 1 | VSD445201 | silenciador primario 145/9 1.9 TD 94-96 155 1.9 TD | 118.41 EUR |
| 2 | MSD254303 | silenciador intermediario 145/6 1.9 TD 94-96 155 1.9 TD | Preis auf Anfrage |
| 3 | ESD445209 | silenciador terminal 155 1.9 TD | Preis auf Anfrage |
| 4 | SAT094477 | junta escape primario 145/6,155 TD | 6.26 EUR |
| 5 | SAT091069 | silent bloc/soporte escape catalizador 155 | 3.28 EUR |
| 6 | SAT091124 | silent bloc/soporte escape 145/6 ESD 155 MSD | 3.90 EUR |
| 7 | SAT091011 | aro caucho - soporte escape | 2.50 EUR |
| 8 | SAT091041 | silent bloc/soporte escape 145/6, 155 ESD | 4.50 EUR |

155 > escape > escape > 1.9 TD Kat.

Abgasanlage/Exhaust System 155 1.9 TD Kat.

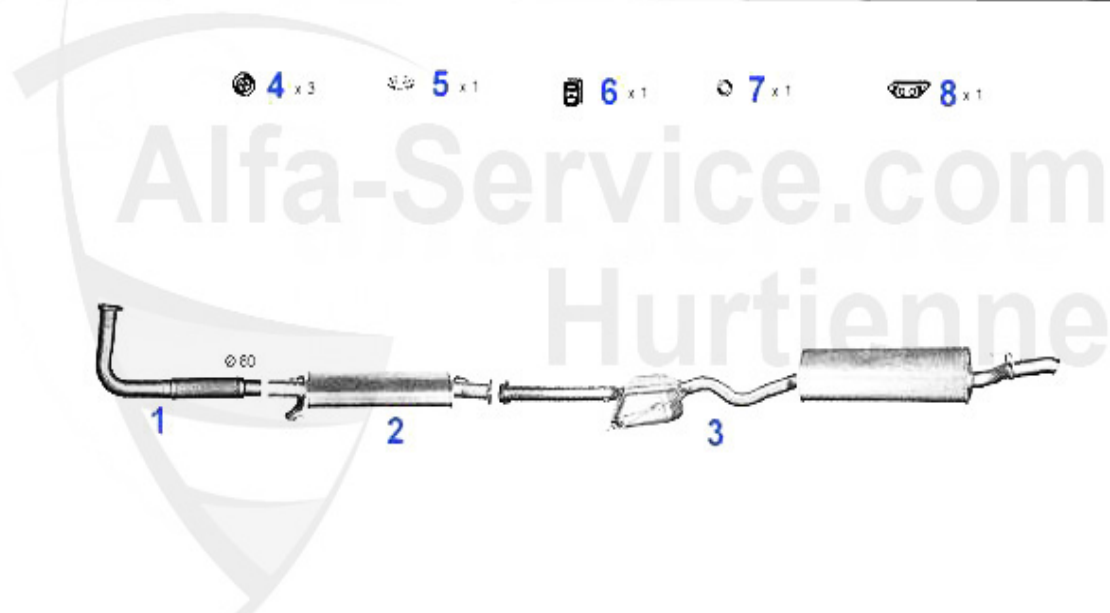


155 1.9 TURBO DIESEL KAT.

'93-'97

| | | | |
|---|-----------|---|------------|
| 1 | VSD254901 | silenciador primario 145/6 1.9 TD catalizador 94>155 1. | 208.85 EUR |
| 3 | ESD116309 | silenciador terminal 155 1.9 TD catalizador | 299.00 EUR |
| 4 | SAT094477 | junta escape primario 145/6,155 TD | 6.26 EUR |
| 5 | SAT091119 | silent bloc/soporte escape 145/6 TD catalizado | 6.06 EUR |
| 6 | SAT094002 | aro catalizador | 8.90 EUR |
| 7 | SAT091124 | silent bloc/soporte escape 145/6 ESD 155 MSD | 3.90 EUR |
| 8 | SAT091011 | aro caucho - soporte escape | 2.50 EUR |
| 9 | SAT091041 | silent bloc/soporte escape 145/6, 155 ESD | 4.50 EUR |

Abgasanlage/Exhaust System 155 2.5 TD



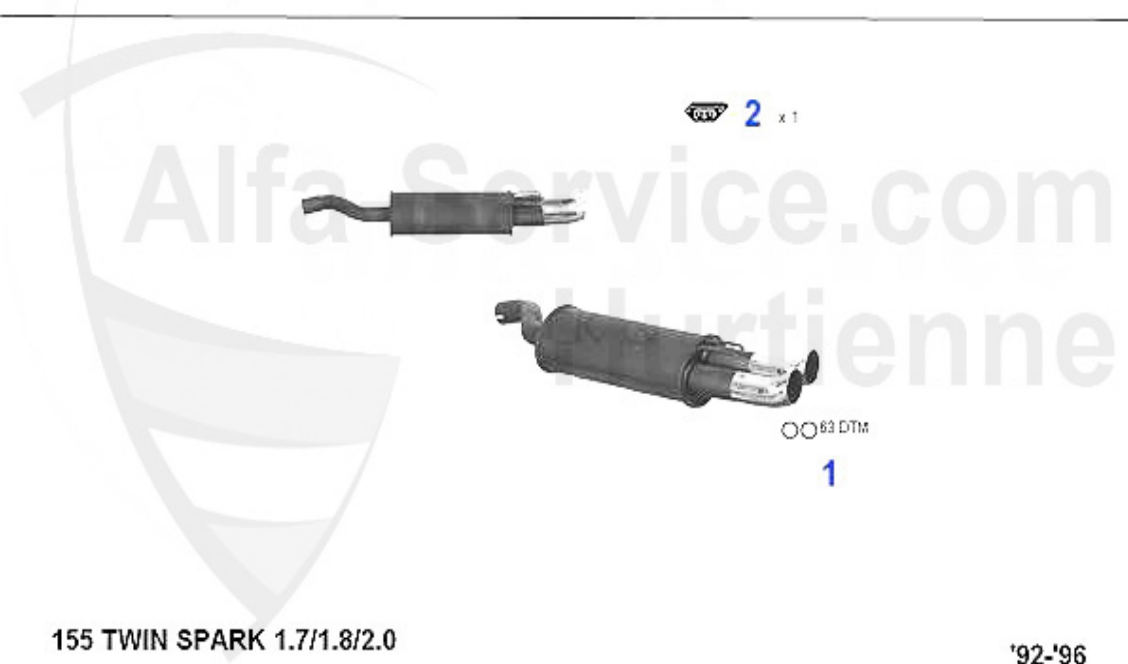
155 2.5 TURBO DIESEL

'93-'97

| | | | |
|---|-----------|--|------------|
| 1 | VSD116001 | silenciador primario 155 2.5 TD | 154.52 EUR |
| 2 | MSD116003 | silenciador intermediario 155 2.5 TD | 165.01 EUR |
| 3 | ESD116009 | silenciador terminal 155 2.5 TD | 295.00 EUR |
| 4 | SAT091012 | silent bloc/soporte escape | 4.00 EUR |
| 5 | SAT094003 | aro silenciador | 10.50 EUR |
| 6 | SAT091124 | silent bloc/soporte escape 145/6 ESD 155 MSD | 3.90 EUR |
| 7 | SAT091011 | aro caucho - soporte escape | 2.50 EUR |
| 8 | SAT091041 | silent bloc/soporte escape 145/6, 155 ESD | 4.50 EUR |

155 > escape > versiones \"Sport\" > TS 8V

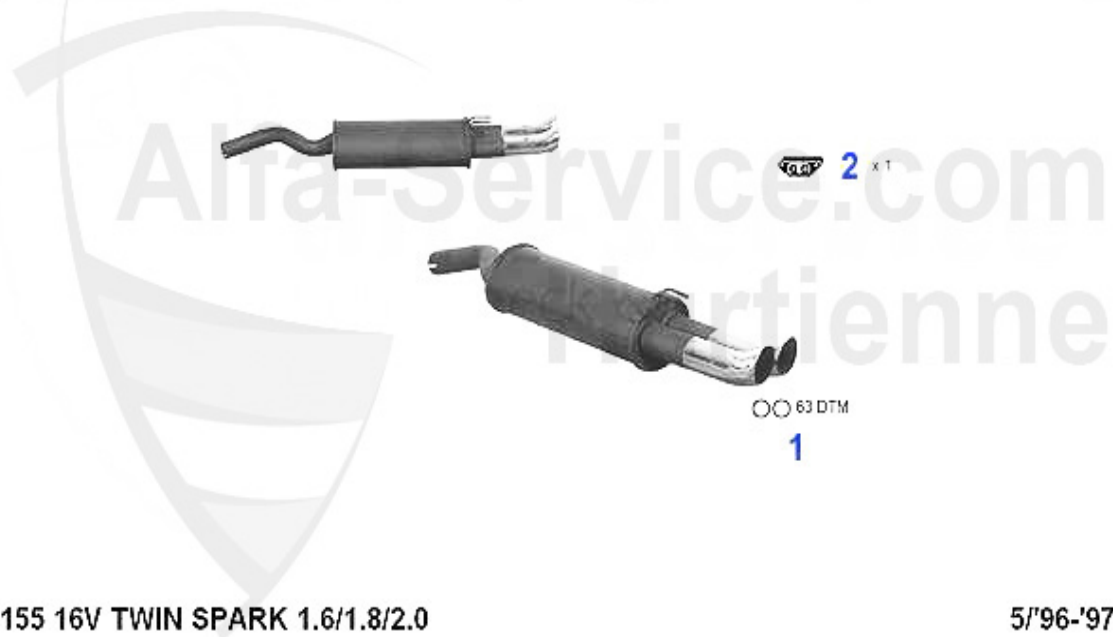
Sportauspuff/Sport Exhaust System 155 TS 8V



| | | | |
|---|-----------|---|------------|
| 1 | SNSD1156 | silenciador terminal sport 155 1.7-2.0 TS 92-96, 155 2. | 419.00 EUR |
| 2 | SAT091041 | silent bloc/soporte escape 145/6, 155 ESD | 4.50 EUR |

155 > escape > versiones \"Sport\" > TS 16V Bj. 5.96>

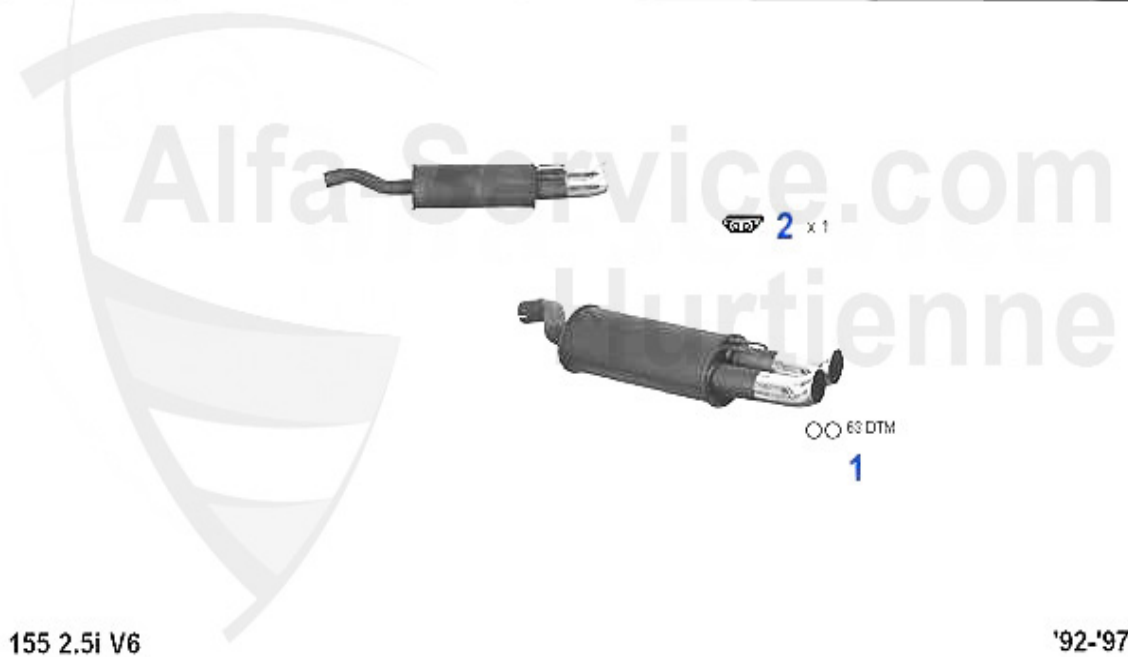
Sportauspuff/Sport Exhaust System 155 TS 16V



| | | | |
|---|-----------|---|------------|
| 1 | SNSD1162 | silenciador terminal sport 155 1.6-2.0 16V 96-97 (2 con | 548.99 EUR |
| 2 | SAT091041 | silent bloc/soporte escape 145/6, 155 ESD | 4.50 EUR |

155 > escape > versiones \"Sport\" > 2.5 V6

Sportauspuff/Sport Exhaust System 155 2.5 V6

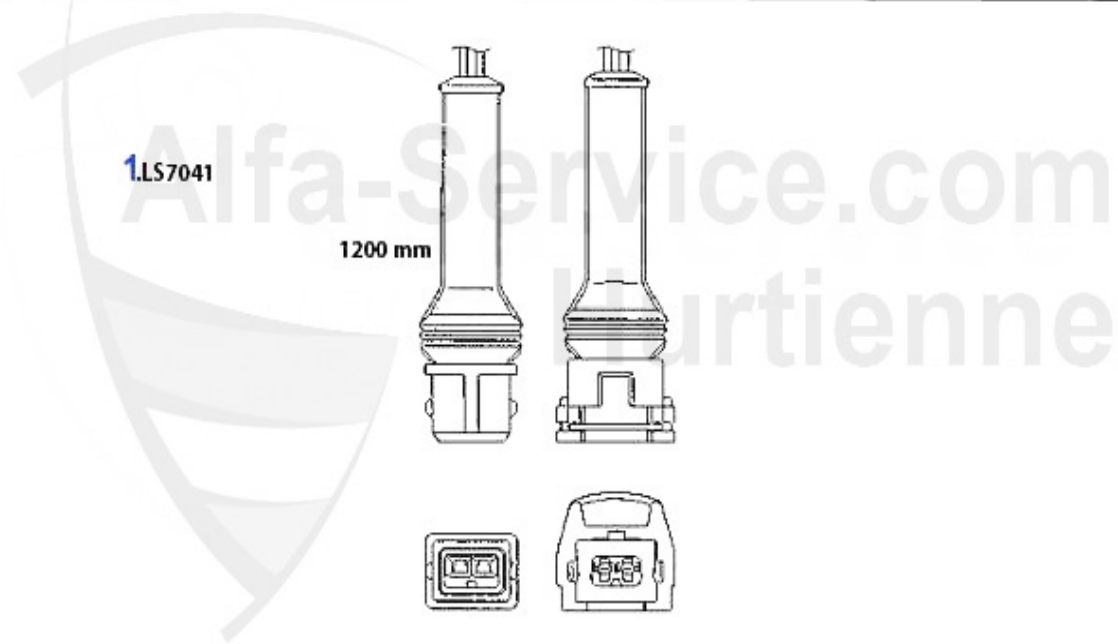


155 2.5i V6

'92-'97

| | | | |
|---|-----------|---|------------|
| 1 | SNSD1156 | silenciador terminal sport 155 1.7-2.0 TS 92-96, 155 2. | 419.00 EUR |
| 2 | SAT091041 | silent bloc/soporte escape 145/6, 155 ESD | 4.50 EUR |

Lambda-Sonde/Lambda Probe 155 TS 8V



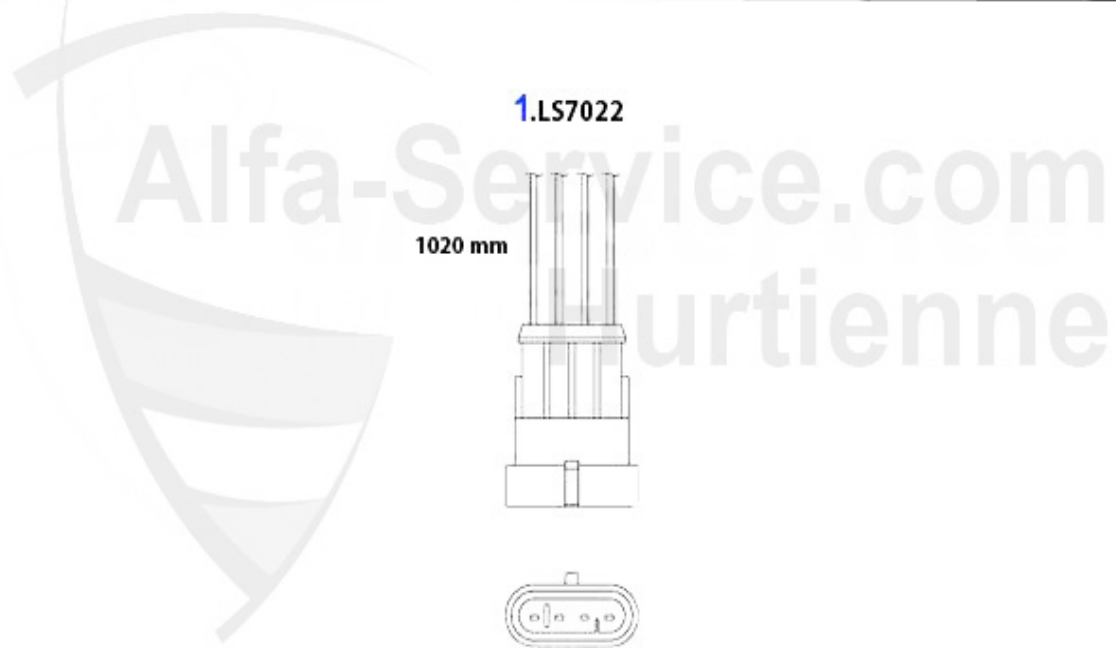
1 LS7041

sonda Lambda 155 1.7/1.8/2.0/ TS 164 Super 2.0 TS/3.0/

80.00 EUR

155 > escape > sonda Lambda > TS 16V Bj. >4.96

Lambda-Sonde/Lambda Probe 155 TS 16V Bj. >4.96



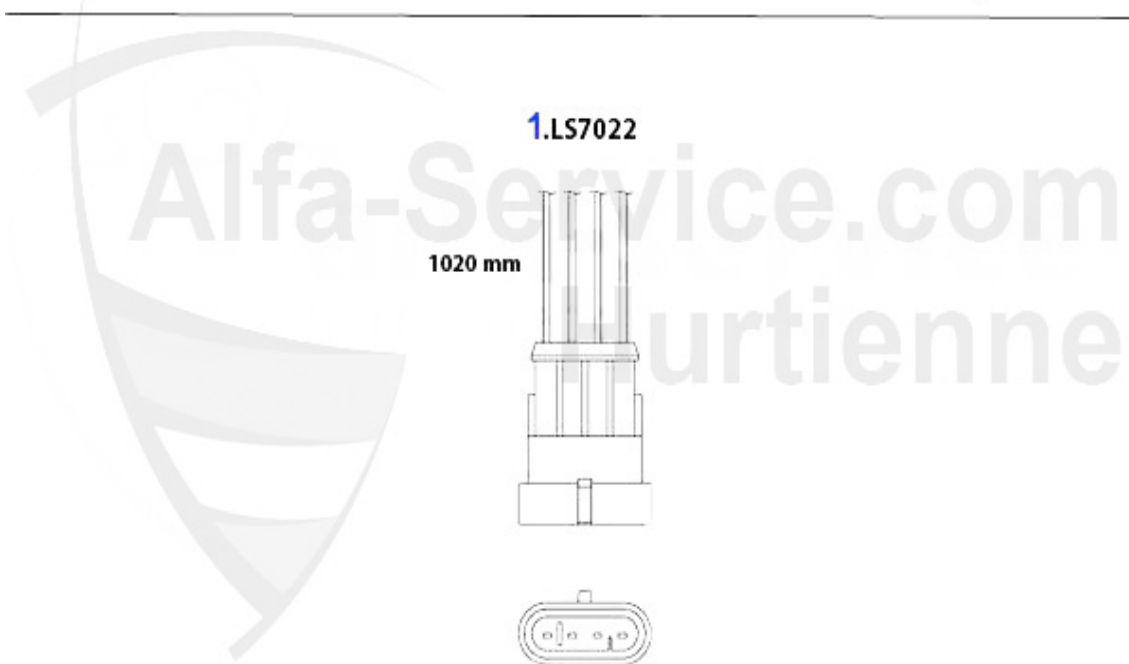
1 LS7022

sonda Lambda 145/6 1.4/1.6/1.7/1.8 2.0/16V/TS, 155 1.6/

85.00 EUR

155 > escape > sonda Lambda > TS 16V Bj. 5.96>

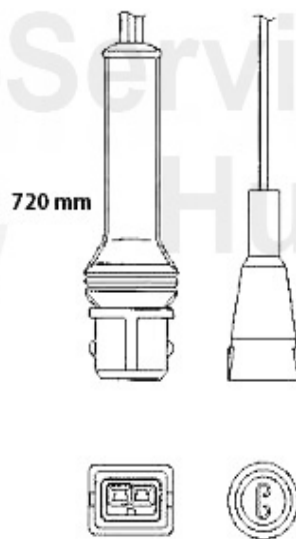
Lambda-Sonde/Lambda Probe 155 TS 16V Bj. 5.96>



| | | | |
|---|--------|---|-----------|
| 1 | LS7041 | sonda Lambda 155 1.7/1.8/2.0/ TS 164 Super 2.0 TS/3.0/ | 80.00 EUR |
| 1 | LS7022 | sonda Lambda 145/6 1.4/1.6/1.7/1.8 2.0/16V/TS, 155 1.6/ | 85.00 EUR |

Lambda-Sonde/Lambda Probe 155 Turbo Q4

1.LS7025



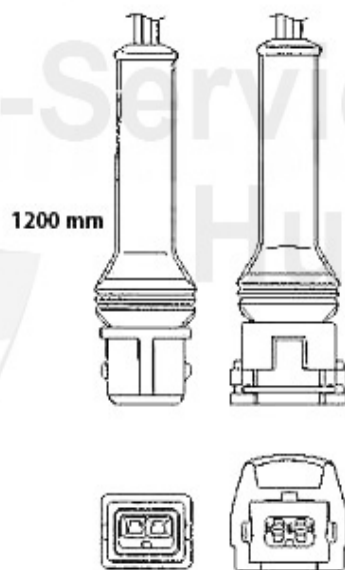
1 LS7025

sonda Lambda 155 2.0 Turbo/2.5 TD 3 vias

77.99 EUR

Lambda-Sonde/Lambda Probe 155 2.5 V6

1.LS7041



1 LS7039

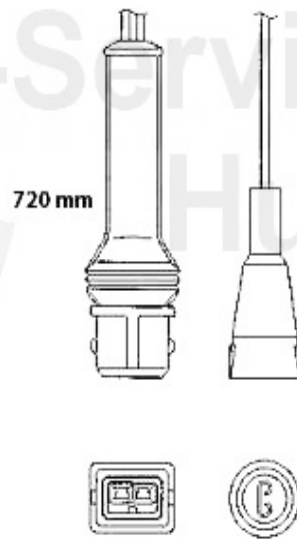
Lambda-Sonde 155 2.5 V6,164 Super 3.0 V6 24V QV, 4-adri

85.00 EUR

155 > escape > sonda Lambda > 2.5 TD

Lambda-Sonde/Lambda Probe 155 2.5 TD

1.LS7025

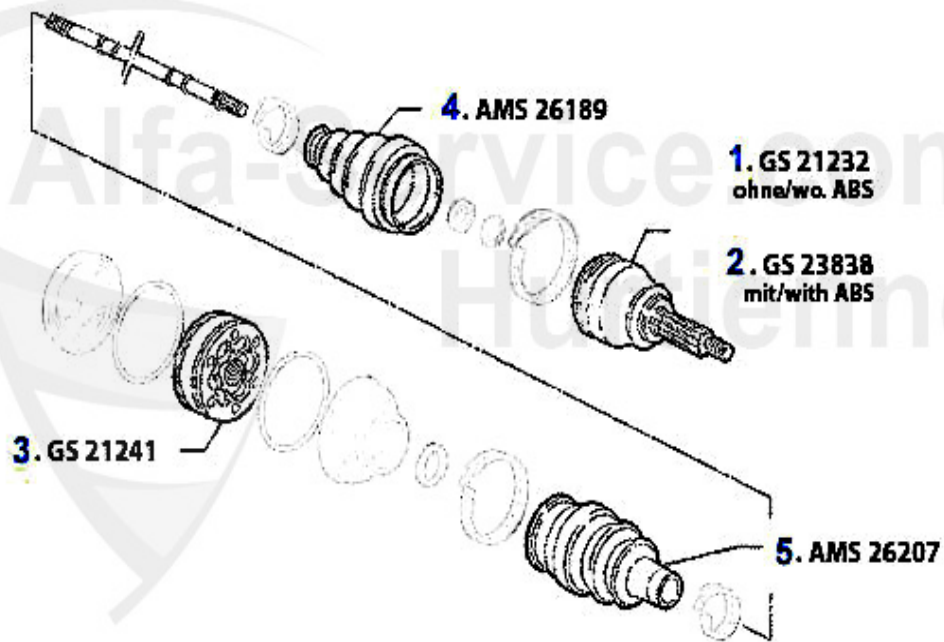


1 LS7025

sonda Lambda 155 2.0 Turbo/2.5 TD 3 vias

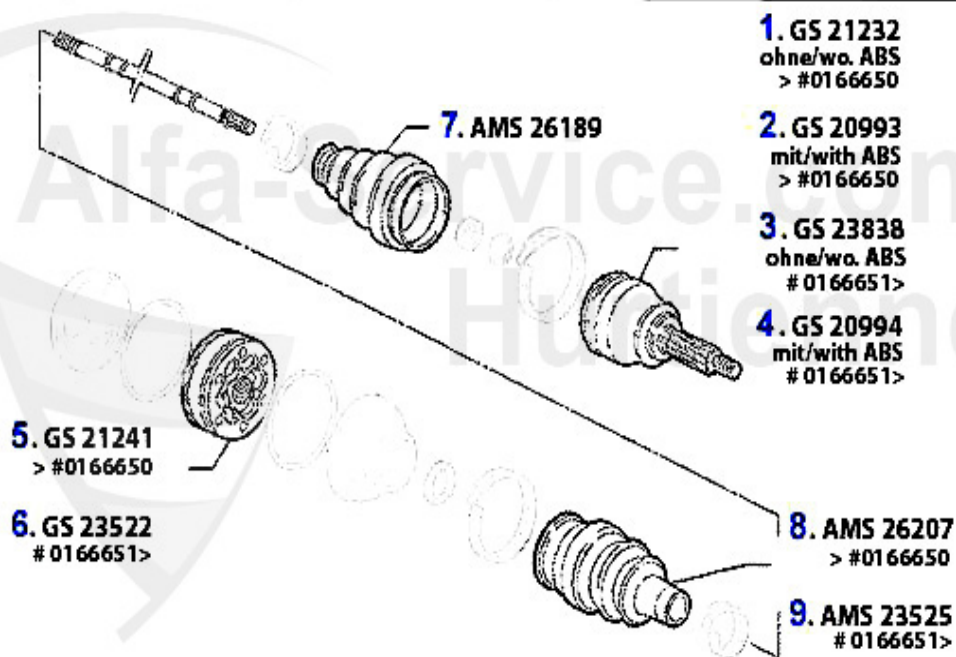
77.99 EUR

Antriebswelle/Driveshaft 155 TS 8V >1996



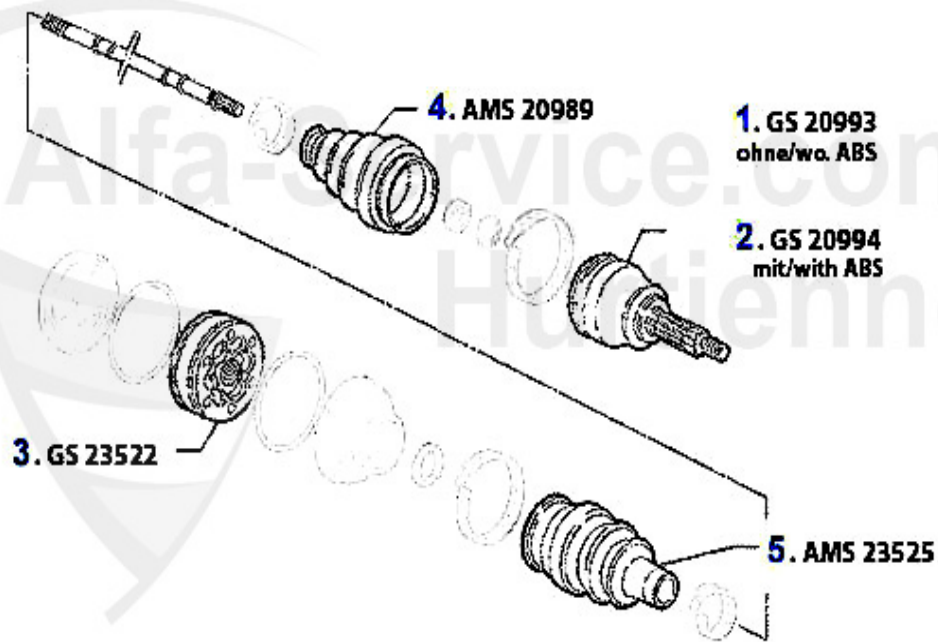
| | | | |
|----------|-----------------|---|-------------------|
| 1 | GS21232 | cardan ext. 145/6,155, 1.4/1.6/1.7/ie 16V/TS sin ABS | 117.71 EUR |
| 2 | GS23838 | cardan ext. 145/6,155,gtv/spider (916) 2.0 16V TS con A | 163.11 EUR |
| 3 | GS21241 | cardan int. gtv/spider (916),155,145/6 TS 16V, 156 TS 1 | 111.72 EUR |
| 4 | AMS26189 | fuelle ext. 145/6 1.4ie/TS,1.6ie/TS 1.7ie 16V 94-96, 15 | 13.44 EUR |
| 5 | AMS26207 | fuelle int.gtv/spider (916) 2.0 TS 1995-98, 145, 155, 1 | 25.00 EUR |

Antriebswelle/Driveshaft 155 2.0 TS 16V Bj. >4.96



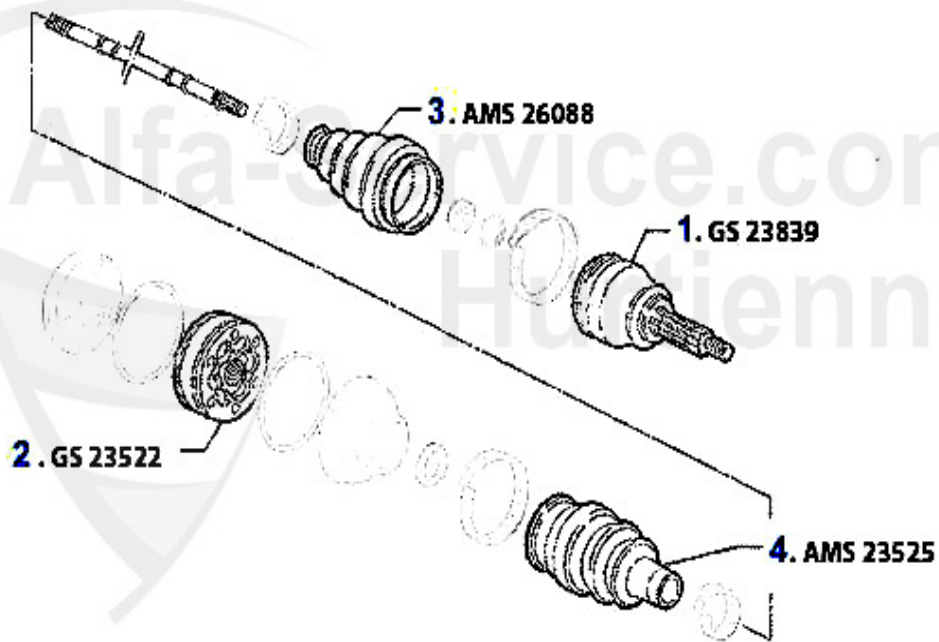
| | | | |
|---|----------|---|------------|
| 1 | GS21232 | cardan ext. 145/6,155, 1.4/1.6/1.7/ie 16V/TS sin ABS | 117.71 EUR |
| 2 | GS20993 | cardan ext. 145/6 TS/TD/JTD 96> sin ABS 155 2.0 TS 16V | 117.98 EUR |
| 3 | GS23838 | cardan ext. 145/6,155,gtv/spider (916) 2.0 16V TS con A | 163.11 EUR |
| 4 | GS20994 | cardan ext. 145/6 TS/TD/JTD 96>con ABS 155 2.0 TS 16V c | 122.08 EUR |
| 5 | GS21241 | cardan int. gtv/spider (916),155,145/6 TS 16V, 156 TS 1 | 111.72 EUR |
| 6 | GS23522 | cardan int. 155,164, diverse | 101.55 EUR |
| 7 | AMS26189 | fuelle ext. 145/6 1.4ie/TS,1.6ie/TS 1.7ie 16V 94-96, 15 | 13.44 EUR |
| 8 | AMS26207 | fuelle int.gtv/spider (916) 2.0 TS 1995-98, 145, 155, 1 | 25.00 EUR |
| 9 | AMS23525 | fuelle int. 155 1.7/1.8/2.0/TS 16V,2.5 V6,1.9TD,164/Sup | 25.55 EUR |

Antriebswelle/Driveshaft 155 TS 16V Bj. 96>



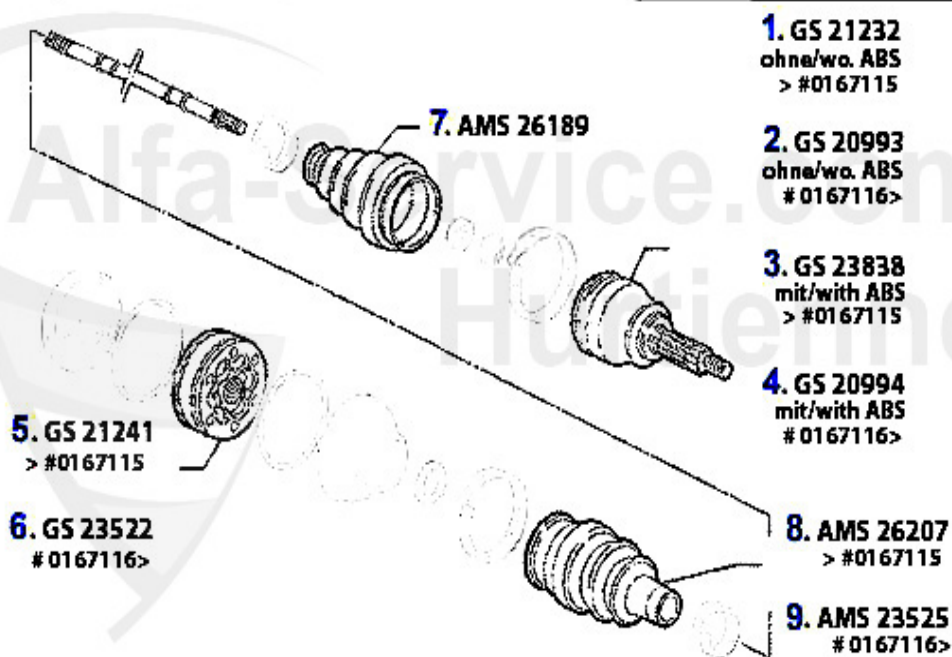
| | | | |
|----------|-----------------|---|-------------------|
| 1 | GS20993 | cardan ext. 145/6 TS/TD/JTD 96> sin ABS 155 2.0 TS 16V | 117.98 EUR |
| 2 | GS20994 | cardan ext. 145/6 TS/TD/JTD 96>con ABS 155 2.0 TS 16V c | 122.08 EUR |
| 3 | GS23522 | cardan int. 155,164, diverse | 101.55 EUR |
| 4 | AMS20989 | fuelle ext. 145/6 147,156,166 | 17.90 EUR |
| 5 | AMS23525 | fuelle int. 155 1.7/1.8/2.0/TS 16V,2.5 V6,1.9TD,164/Sup | 25.55 EUR |

Antriebswelle/Driveshaft 155 2.5 V6



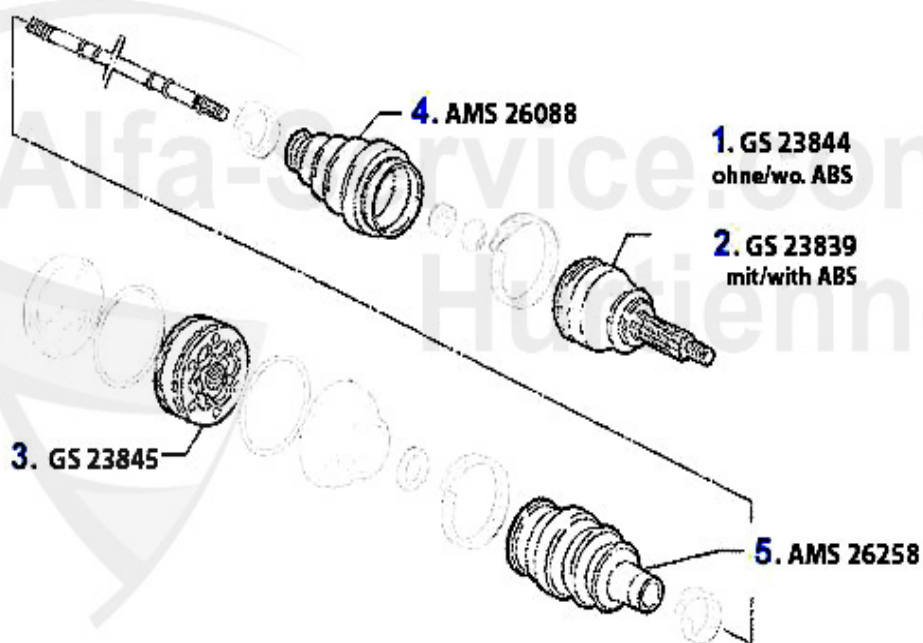
| | | | |
|----------|-----------------|---|-------------------|
| 1 | GS23839 | cardan ext. 155,gtv/spider (916) varios con ABS | 169.27 EUR |
| 2 | GS23522 | cardan int. 155,164, diverse | 101.55 EUR |
| 3 | AMS26088 | fuelle ext. 155,164 spider/gtv (916) V6 | 15.01 EUR |
| 4 | AMS23525 | fuelle int. 155 1.7/1.8/2.0/TS 16V,2.5 V6,1.9TD,164/Sup | 25.55 EUR |

Antriebswelle/Driveshaft 155 1.9 TD



| | | | |
|---|----------|---|------------|
| 1 | GS21232 | cardan ext. 145/6,155, 1.4/1.6/1.7/ie 16V/TS sin ABS | 117.71 EUR |
| 2 | GS20993 | cardan ext. 145/6 TS/TD/JTD 96> sin ABS 155 2.0 TS 16V | 117.98 EUR |
| 3 | GS23838 | cardan ext. 145/6,155,gtv/spider (916) 2.0 16V TS con A | 163.11 EUR |
| 4 | GS20994 | cardan ext. 145/6 TS/TD/JTD 96>con ABS 155 2.0 TS 16V c | 122.08 EUR |
| 5 | GS21241 | cardan int. gtv/spider (916),155,145/6 TS 16V, 156 TS 1 | 111.72 EUR |
| 6 | GS23522 | cardan int. 155,164, diverse | 101.55 EUR |
| 7 | AMS26189 | fuelle ext. 145/6 1.4ie/TS,1.6ie/TS 1.7ie 16V 94-96, 15 | 13.44 EUR |
| 8 | AMS26207 | fuelle int.gtv/spider (916) 2.0 TS 1995-98, 145, 155, 1 | 25.00 EUR |
| 9 | AMS23525 | fuelle int. 155 1.7/1.8/2.0/TS 16V,2.5 V6,1.9TD,164/Sup | 25.55 EUR |

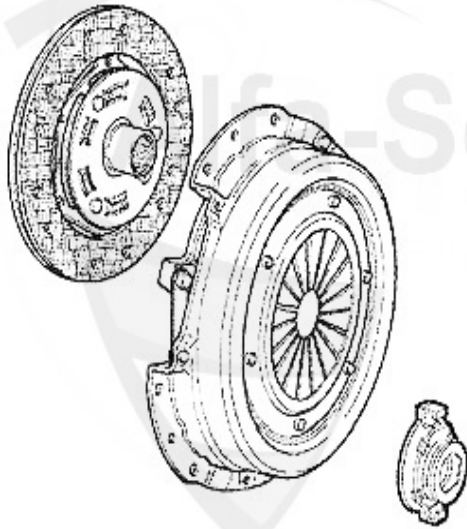
Antriebswelle/Driveshaft 155 2.5 TD



| | | | |
|----------|-----------------|---|-------------------|
| 1 | GS23844 | cardan ext. 155 2.5 TD | 152.34 EUR |
| 2 | GS23839 | cardan ext. 155,gtv/spider (916) varios con ABS | 169.27 EUR |
| 4 | AMS26088 | fuelle ext. 155,164 spider/gtv (916) V6 | 15.01 EUR |
| 5 | AMS26258 | fuelle int. 155 2.5 TD, spider/gtv (916) 3.0 V6/24V | 15.51 EUR |

155 > transmision > embrague > kit embrague TS 8V

Kupplungs-Kit/Clutch Set 155 TS 8V



1. KK 576001

Ø 215 mm

1.7/1.8/2.0 TS 8V

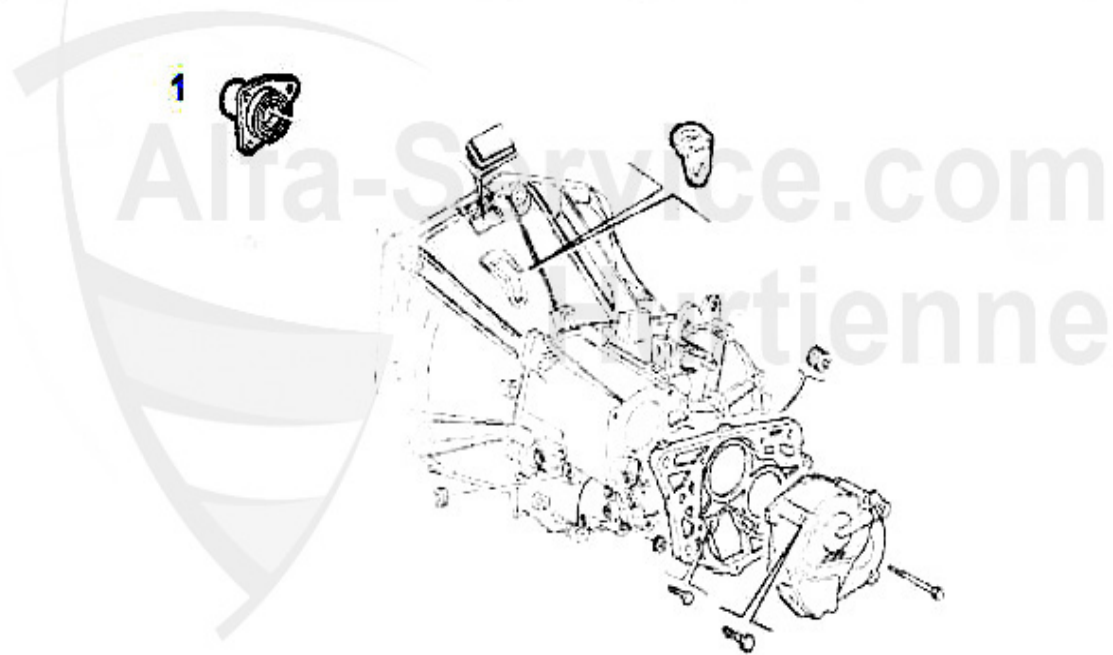
1 KK576001

kit embrague 145/6 1.4/1.6/1.8 TS, gtv/spider (916)/155

207.00 EUR

155 > transmision > embrague > guia cojinete de empuje TS 8V

Ausrücker/Sleeve Bearing 155 TS 8V



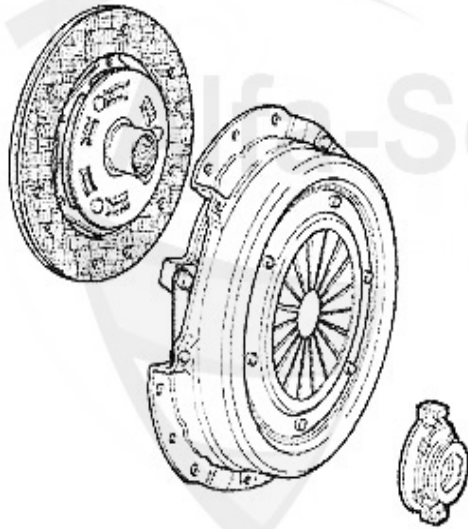
1 FH1140

guia para cojinete 145/6,147,155,156, gtv/spider (916)

49.00 EUR

155 > transmission > embrague > kit embrague TS 16V Bj. >4.96

Kupplungs-Kit/Clutch Set 155 2.0 TS 16V Bj. >96



1. KK 789001
Ø 230 mm

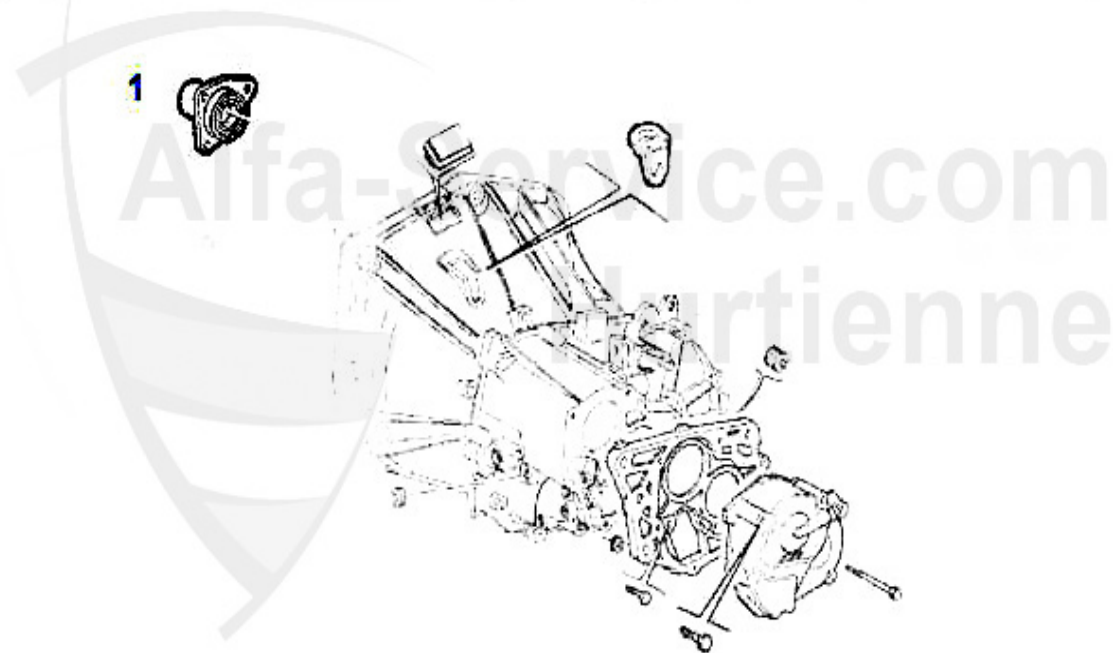
1 KK789001

kit embrague 145/9,155 2.0 TS 16V gtv/spider (916) 2.0

289.00 EUR

155 > transmision > embrague > guia cojinete de empuje TS 16V Bj. >4

Ausrücker/Sleeve Bearing 155 2.0 TS 16V Bj. >96



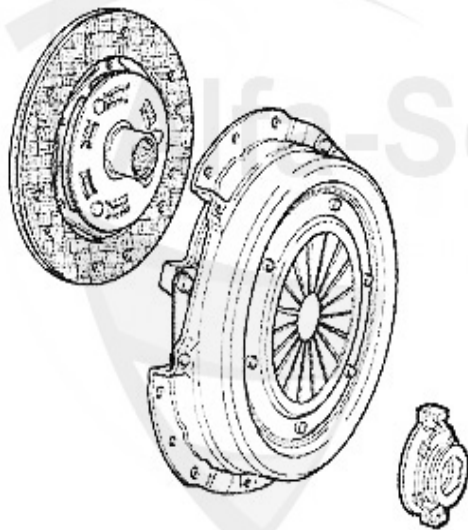
1 FH1140

guia para cojinete 145/6,147,155,156, gtv/spider (916)

49.00 EUR

155 > transmission > embrague > kit embrague TS 16V Bj. 5.96>

Kupplungs-Kit/Clutch Set 155 TS 16V Bj. 96>



1. KK 576001

Ø 215 mm

1.6/1.8 16V

2. KK 789001

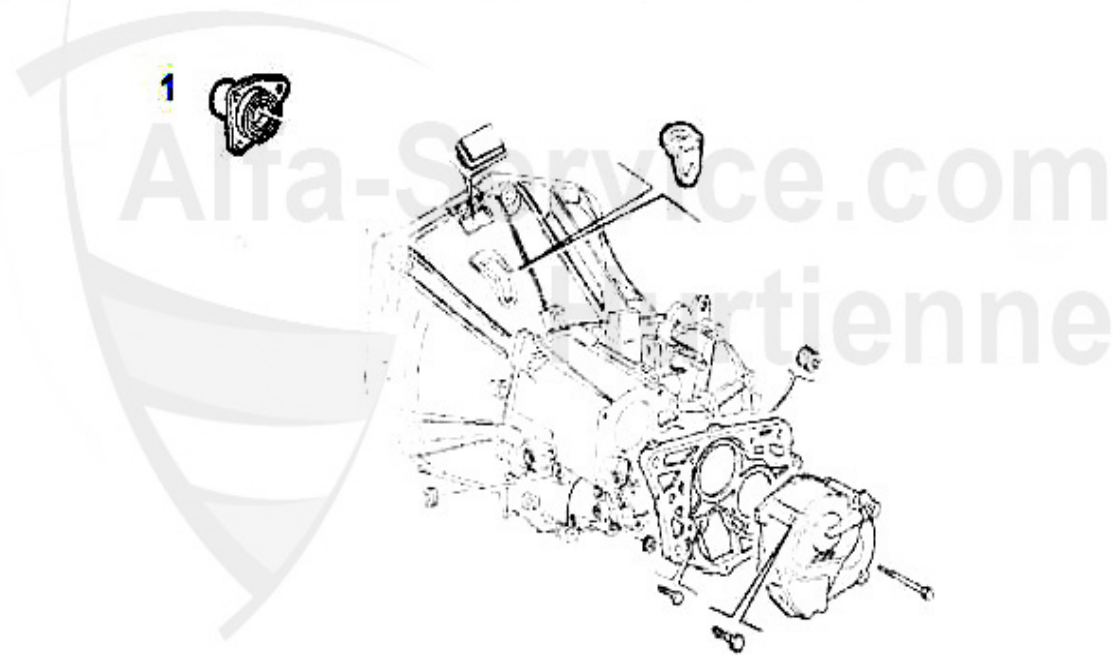
Ø 230 mm

2.0 TS 16V

| | | | |
|---|----------|---|------------|
| 1 | KK576001 | kit embrague 145/6 1.4/1.6/1.8 TS, gtv/spider (916)/155 | 207.00 EUR |
| 2 | KK789001 | kit embrague 145/9,155 2.0 TS 16V gtv/spider (916) 2.0 | 289.00 EUR |

155 > transmision > embrague > guia cojinete de empuje TS 16V Bj. 5.

Ausrücker/Sleeve Bearing 155 TS 16V Bj. 96>

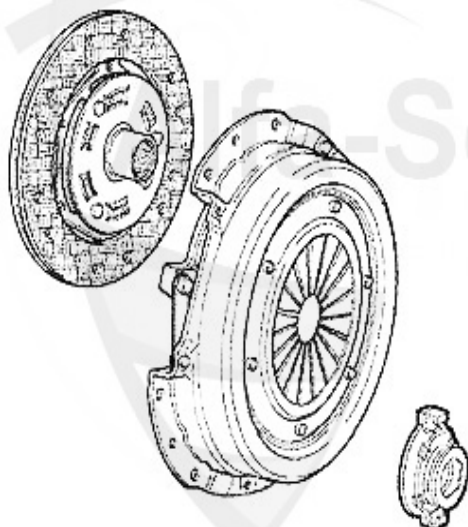


1 FH1140

guia para cojinete 145/6,147,155,156, gtv/spider (916)

49.00 EUR

Kupplungs-Kit/Clutch Set 155 Turbo Q4



1. KK 72900

Ø 235 mm

Bj. >3.92

2. KK 727001

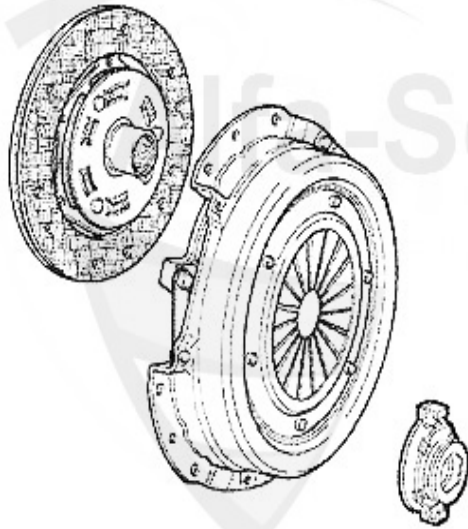
Ø 235 mm

Bj. 4.92>

| | | | |
|---|----------|---|------------|
| 1 | KK729001 | kit embrague 155,164 V6 Turbo 164 3.0 ie QV > 09.92 | 399.00 EUR |
| 2 | KK727001 | kit embrague 155,164 V6 varios 92-98 tambien Diesel gtv | 389.00 EUR |

155 > transmission > embrague > kit embrague 2.5 V6

Kupplungs-Kit/Clutch Set 155 2.5 V6



1. KK 835301

Ø 235 mm

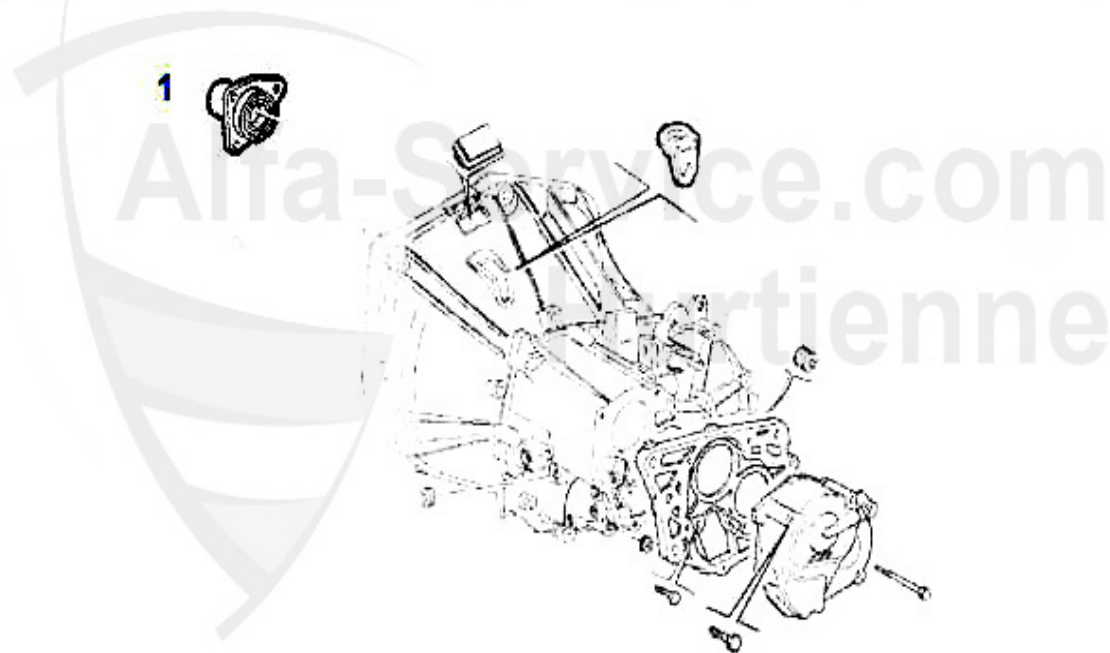
1 KK835301

kit embrague 155 2.5 V6 02.92-12.97

355.00 EUR

155 > transmision > embrague > guia cojinete de empuje 2.5 V6

Ausrücker/Sleeve Bearing 155 2.5 V6



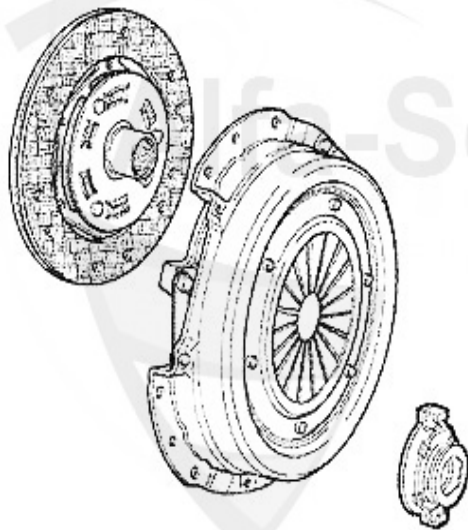
1 FH11951

guia para cojinete 3 orificios 145/6, 147,155,164/Super

79.00 EUR

155 > transmission > embrague > kit embrague 1.9 TD

Kupplungs-Kit/Clutch Set 155 1.9 TD



1. KK 345001

Ø 215 mm

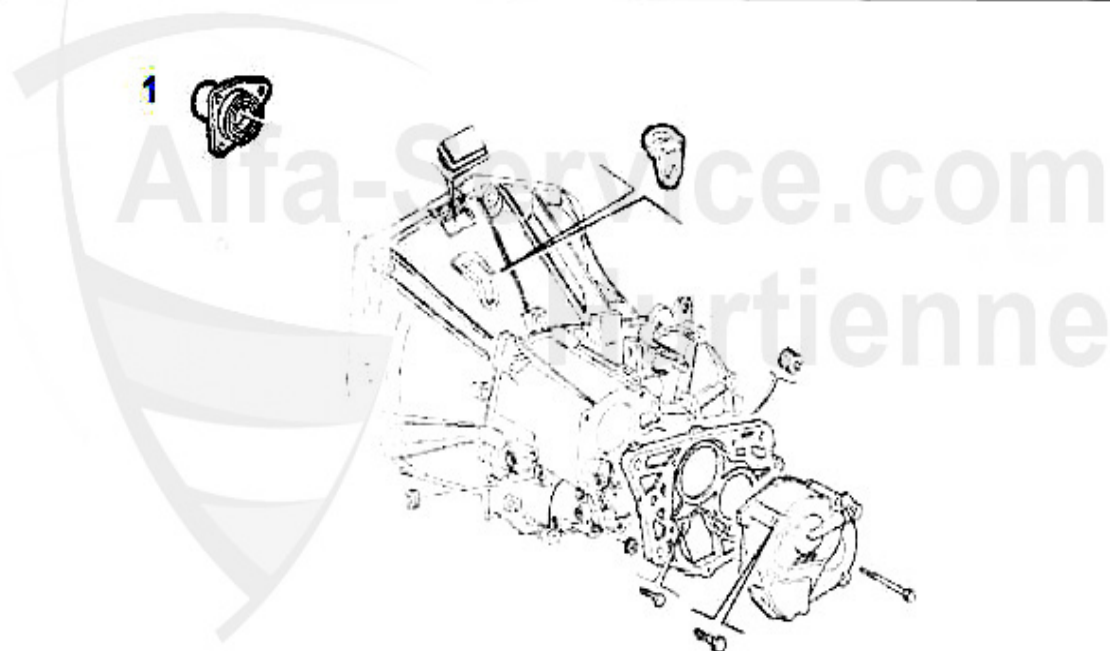
1 KK345001

kit embrague 145/6,155 1.9 TD 93-99

189.78 EUR

155 > transmision > embrague > guia cojinete de empuje 1.9 TD

Ausrücker/Sleeve Bearing 155 1.9 TD



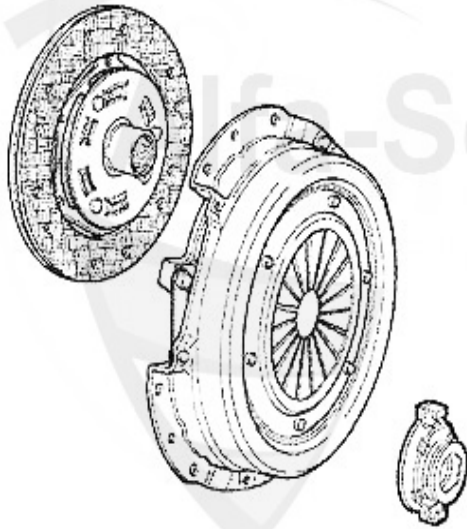
1 FH1140

guia para cojinete 145/6,147,155,156, gtv/spider (916)

49.00 EUR

155 > transmision > embrague > kit embrague 2.5 TD

Kupplungs-Kit/Clutch Set 155 2.5 TD



1. KK 727001

Ø 235 mm

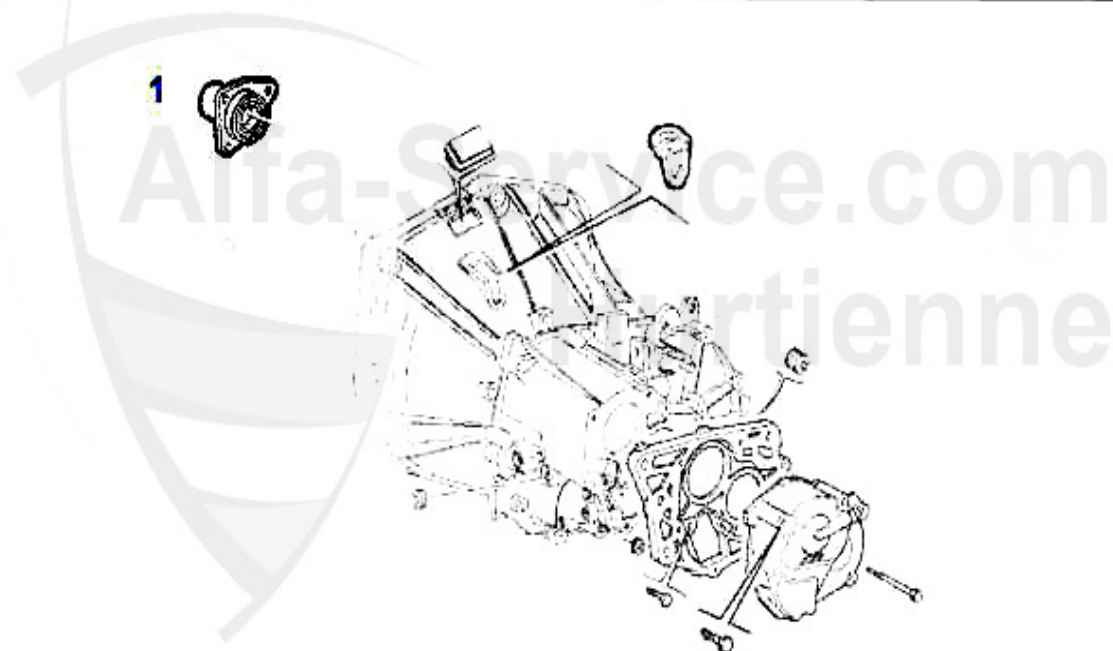
1 KK727001

kit embrague 155,164 V6 varios 92-98 tambien Diesel gtv

389.00 EUR

155 > transmision > embrague > guia cojinete de empuje 2.5 TD

Ausrücker/Sleeve Bearing 155 2.5 TD



1 FH11951

guia para cojinete 3 orificios 145/6, 147,155,164/Super

79.00 EUR

155 > transmission > mando embrague > TS 8V

Kupplungsbetätigung/Clutch Actuation 155 1.7/1.8/2.0 TS 8V



| | | | |
|---|--------|---|-----------|
| 1 | KGZ027 | cilindro emisor embr. 145/6,155, gtv/spider (916) | 74.99 EUR |
| 2 | KNZ047 | bombin embrague 155 1.7/1.8/ TS 92> >#0067034 | 55.00 EUR |
| 3 | KNZ024 | bombin embrague 145/6,155 #0075933>, gtv/spider (916) 7 | 59.50 EUR |

155 > transmision > mando embrague > TS 16V Bj. >4.96

Kupplungsbetätigung/Clutch Actuation 155 2.0 TS 16V Bj. >96



| | | | |
|---|--------|---|-----------|
| 1 | KGZ027 | cilindro emisor embr. 145/6,155, gtv/spider (916) | 74.99 EUR |
| 2 | KNZ047 | bombin embrague 155 1.7/1.8/ TS 92> >#0067034 | 55.00 EUR |
| 3 | KNZ024 | bombin embrague 145/6,155 #0075933>, gtv/spider (916) 7 | 59.50 EUR |

155 > transmission > mando embrague > TS 16V Bj. 5.96>

Kupplungsbetätigung/Clutch Actuation 155 TS 16V Bj. 96>



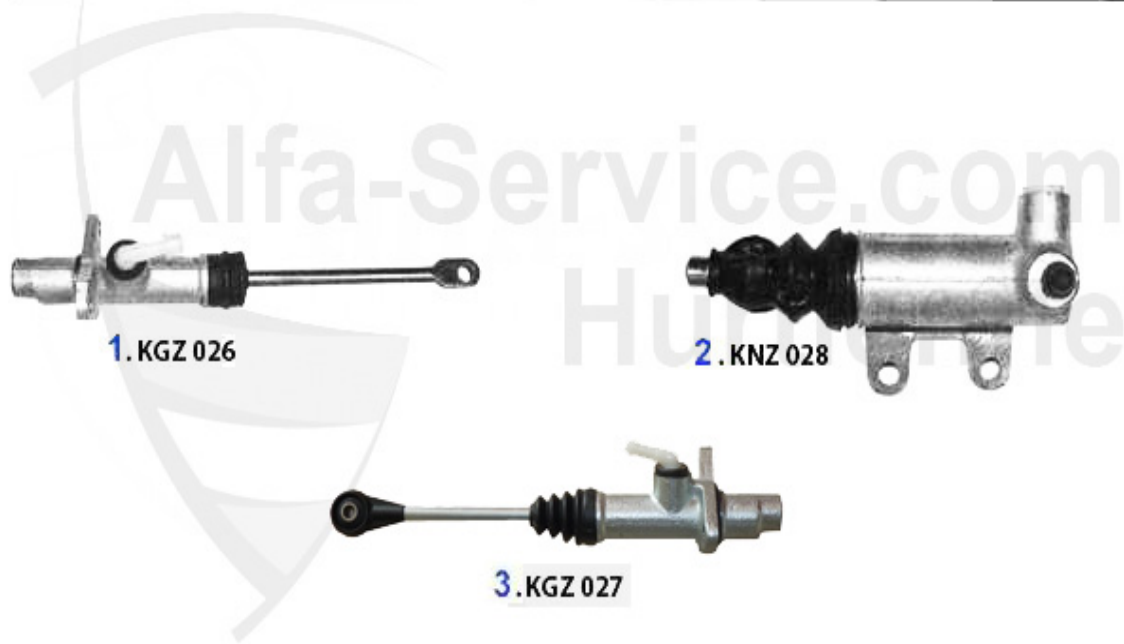
| | | | |
|---|--------|---|-----------|
| 1 | KGZ027 | cilindro emisor embr. 145/6,155, gtv/spider (916) | 74.99 EUR |
| 2 | KNZ024 | bombin embrague 145/6,155 #0075933>, gtv/spider (916) 7 | 59.50 EUR |

Kupplungsbetätigung/Clutch Actuation 155 Turbo Q4



| | | | |
|---|--------|---|-----------|
| 1 | KGZ027 | cilindro emisor embr. 145/6,155, gtv/spider (916) | 74.99 EUR |
| 2 | KNZ028 | bombin embrague 145/6,155,156,164, gtv/spider (916) | 55.00 EUR |

Kupplungsbetätigung/Clutch Actuation 155 2.5 V6



| | | | |
|---|--------|---|-----------|
| 1 | KGZ026 | Kupplungsgeberzylinder 155 2,5V6 | 69.00 EUR |
| 2 | KNZ028 | bombin embraque 145/6,155,156,164, gtv/spider (916) | 55.00 EUR |
| 3 | KGZ027 | cilindro emisor embr. 145/6,155, gtv/spider (916) | 74.99 EUR |

Kupplungsbetätigung/Clutch Actuation 155 1.9 TD



| | | | |
|---|--------|---|-----------|
| 1 | KGZ027 | cilindro emisor embr. 145/6,155, gtv/spider (916) | 74.99 EUR |
| 2 | KNZ024 | bombin embraque 145/6,155 #0075933>, gtv/spider (916) 7 | 59.50 EUR |

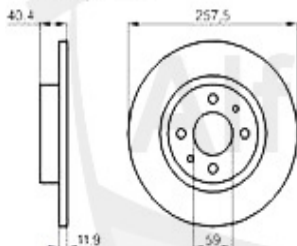
Kupplungsbetätigung/Clutch Actuation 155 2.5 TD



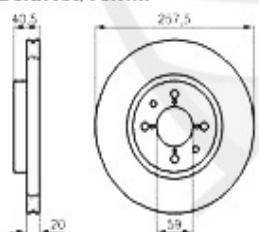
| | | | |
|---|--------|---|-----------|
| 1 | KGZ027 | cilindro emisor embr. 145/6,155, gtv/spider (916) | 74.99 EUR |
| 2 | KNZ028 | bombin embraque 145/6,155,156,164, gtv/spider (916) | 55.00 EUR |

Bremsscheiben/Brakedisks 155

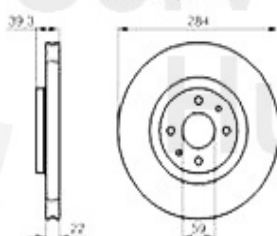
1. BS 516811
1.9 TD
vorne/front



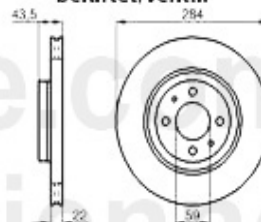
2. BS 519251
1.6/1.7/1.8 TS 8/16V, 2.0 TS 8V
vorne/front
belüftet/ventil.



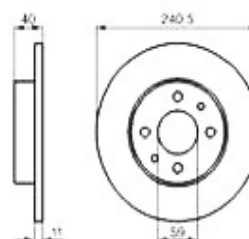
3. BS 541251
2.0 TS 16V
vorne/front
belüftet/ventil.



4. BS 541951
Q4,V6,2.5 TD
vorne/front
belüftet/ventil.

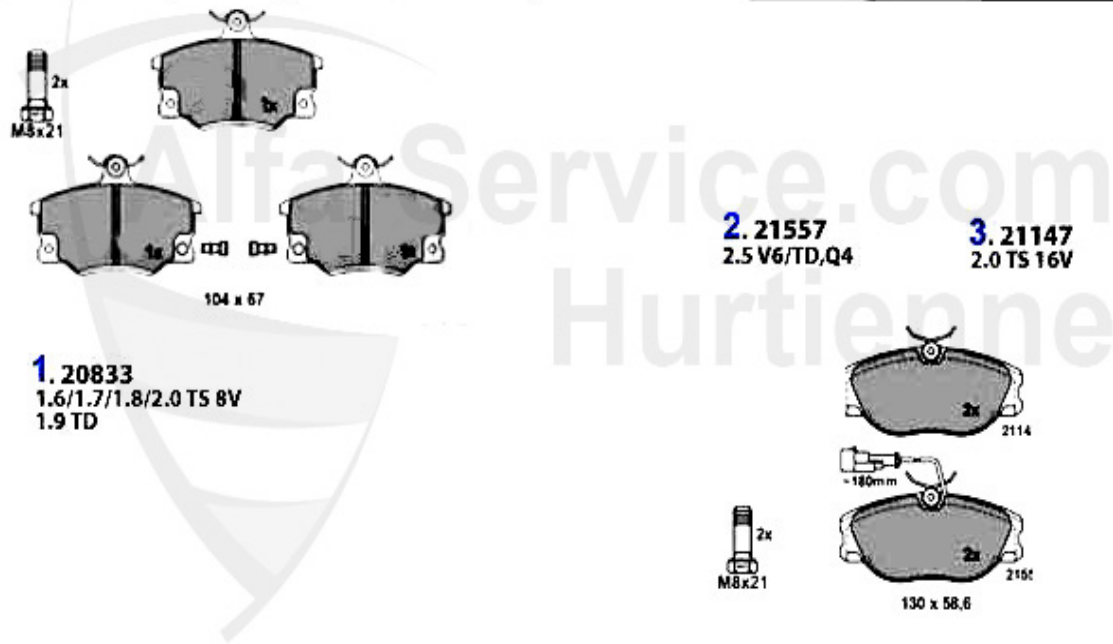


5. BS 516711
hinten/rear



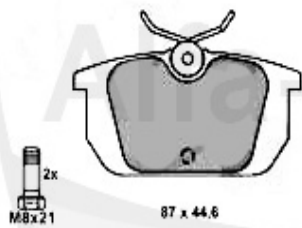
| | | | |
|----------|-----------------|---|------------------|
| 1 | BS516811 | disco de frenos delantero 145/6 1.4/ 1.6 ie, 94-12.96/1 | 19.90 EUR |
| 3 | BS541251 | disco de frenos delantero 145/6 1.8/2.0 16V TS/QV 96> | 54.00 EUR |
| 4 | BS541951 | disco de frenos delantero 155 2.0 16V turbo/2.5/V6/TD | 94.80 EUR |
| 5 | BS516711 | disco de frenos trasero 145/6 1.4/1.8 16V TS 01.97>/2.0 | 39.00 EUR |

Brembeläge/Brakepads 155 vorne/front

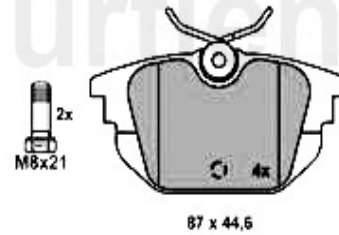


| | | | |
|----------|---------------------|---|------------------|
| 1 | 20833 171 25 | juego de pastillas de frenos con testigo 145/6 1.4/1.6/ | 49.50 EUR |
| 2 | 21557 193 25 | juego de pastillas de frenos delantero con testigo 155 | 92.84 EUR |
| 3 | 21147 193 25 | juego de pastillas de frenos delantero con testigo 164/ | 87.20 EUR |

Bremsbeläge/Brakepads 155 hinten/rear



1. 21103
Grauguß-Sattel/
grey iron caliper
> 1997



2. 23177
ALU-Sattel/
alu caliper
1997 >

| | | | |
|----------|---------------------|--|------------------|
| 1 | 21103 144 04 | juego de pastillas de frenos trasero sin testigo 145/6, | 51.00 EUR |
| 2 | 23177 144 14 | juego de pastillas de frenos trasero sin testigo 33 (90) | 50.90 EUR |

155 > frenado > pinzas delanteras (mod.gasolina)

Bremszangen/Calipers 155 (Benzin/Petrol) vorne/front



1. BZ 212381
links/left
1.6/1.7/1.8 TS/16V
2.0 TS 8V

2. BZ 212382
rechts/right
1.6/1.7/1.8 TS/16V
2.0 TS 8V



3. BZ 50554
links/left
2.0 TS 16V

4. BZ 50559
rechts/right
2.0 TS 16V



5. BZ 212361
links/left
Q4/V6

6. BZ 212362
rechts/right
Q4/V6



| | | | |
|----------|-----------------|---|-------------------|
| 1 | BZ212381 | pinza de frenos del. izq. 155 1.6/1.7 1.8/2.0 16V/TS mo | 48.72 EUR |
| 2 | BZ212382 | pinza de frenos del. der. 155 1.66/1.7/ 1.8/2.0 16V/TS | 48.72 EUR |
| 3 | BZ50554 | pinza de frenos del. izq. 155 2.0 TS 16V | 108.66 EUR |
| 4 | BZ50559 | pinza de frenos del. der. 155 2.0 TS 16V | 108.66 EUR |
| 5 | BZ212361 | pinza de frenos del. izq. 155 2.0 16V turbo/turbo/2.5 V | 43.96 EUR |
| 6 | BZ212362 | pinza de frenos del. der. 155 2.0 16V turvo/2.5 V6 >12. | 43.96 EUR |

Bremszangen/Calipers 155 (Diesel) vorne/front



1. BZ 2123109
links/left
1.9 TD

2. BZ 2123110
rechts/right
1.9 TD



3. BZ 212361
links/left
2.5 TD

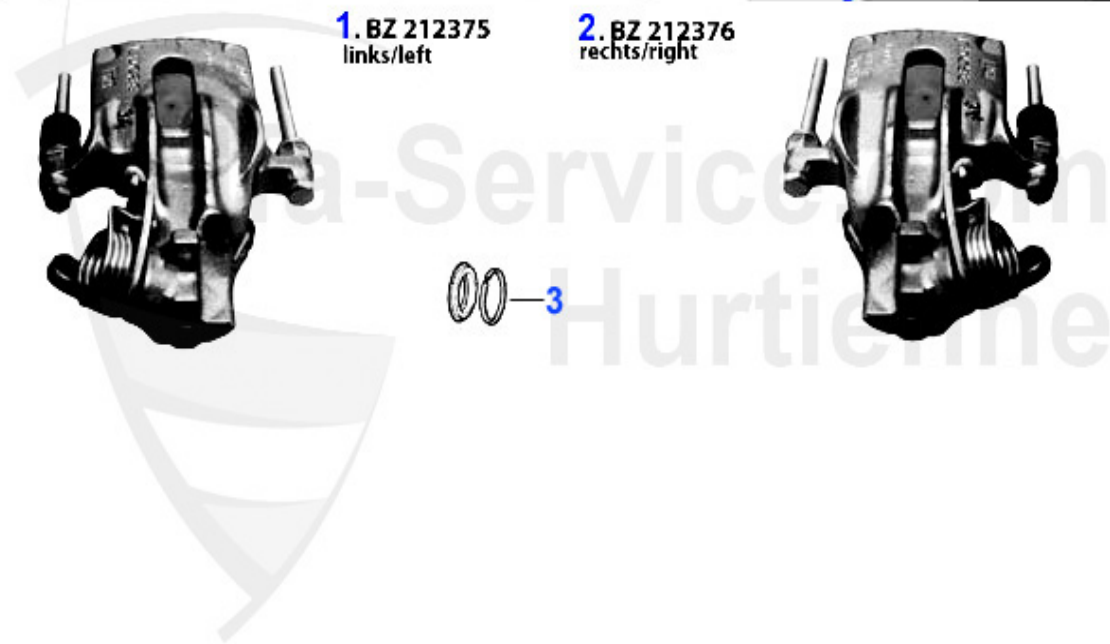
4. BZ 212362
rechts/right
2.5 TD



| | | | |
|----------|------------------|---|------------------|
| 1 | BZ2123109 | pinza de frenos del. izq. 145/6 1.4/ 1.6 ie/1.9 TD 94-9 | 64.96 EUR |
| 2 | BZ2123110 | pinza de frenos del. der. 145/6 1.4/ 1.6 ie/ 1.9 TD 94 | 64.96 EUR |
| 3 | BZ212361 | pinza de frenos del. izq. 155 2.0 16V turbo/turbo/2.5 V | 43.96 EUR |
| 4 | BZ212362 | pinza de frenos del. der. 155 2.0 16V turvo/2.5 V6 >12. | 43.96 EUR |

155 > frenado > pinzas tras.

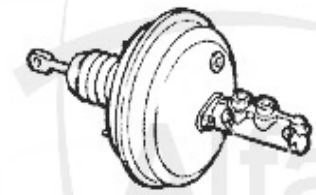
Bremszangen/Calipers 155 hinten/rear



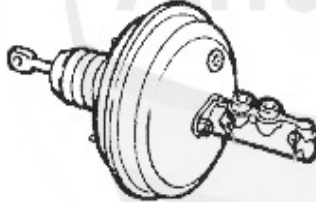
| | | | |
|---|-------------|---|------------|
| 1 | BZ212375 | pinza de frenos post. izq. 145/9 1.4/1.6/ 1.7 ie 16V/TS | 142.60 EUR |
| 2 | BZ212376 | pinza de frenos post. der. 145/6, 1.4/ 1.6/1.7/ ie 16/T | 142.60 EUR |
| 3 | RSBS8999003 | Reparatursatz Bremssattel hinten 212375/212376 Gummiman | 27.00 EUR |
| 3 | RSBS4129 | Rep-Satz Bremszange hinten Lucas 145/6 94-99, 155 92-96 | 29.90 EUR |

155 > frenado > bomba de freno/servo

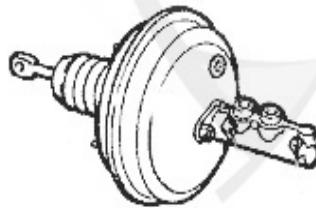
BKV/Hauptbremszylinder/Brakeservo/Brake master cylinder 155



1. BKV 89820
TS > #69451



2. BKV 71358
TS #69452>, 2.5 V6
2.0 Q4, 2.5 TD



3. BKV 09922
1.9 TD



4. HBZ 208

4 HBZ208

cilindro de freno principal 145/6,155, gtv/spider (916)

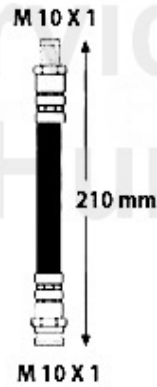
117.98 EUR

Bremsschlauch/Brake Hose 155

1. BS 517136
vorne/front



2. BS 516717
hinten/rear
- ABS
Q4

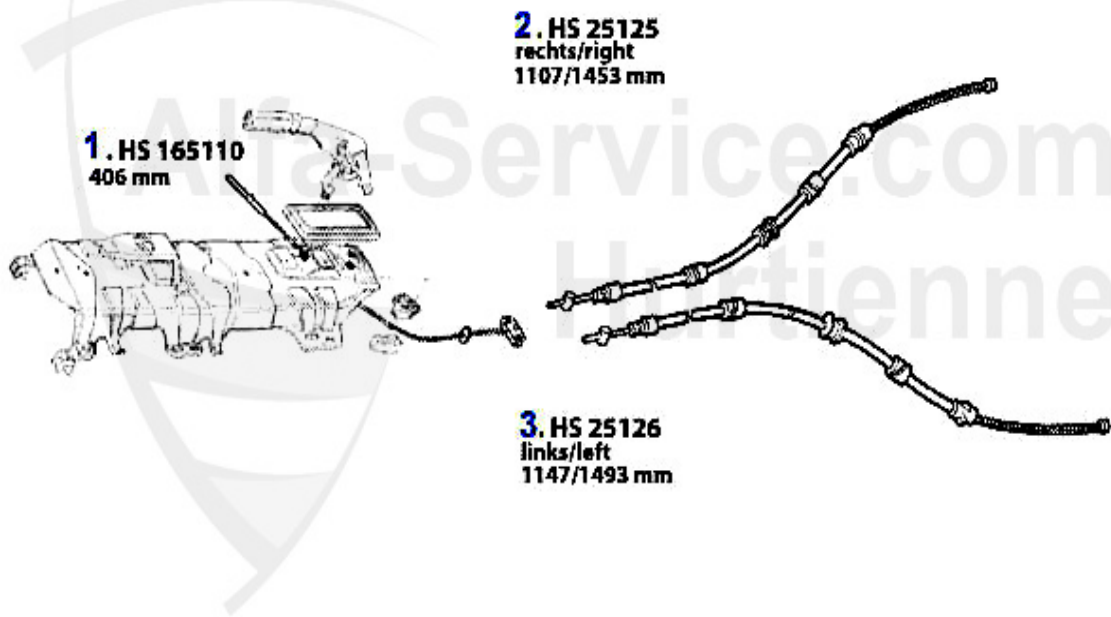


3. BS 516716
hinten/rear
+ ABS



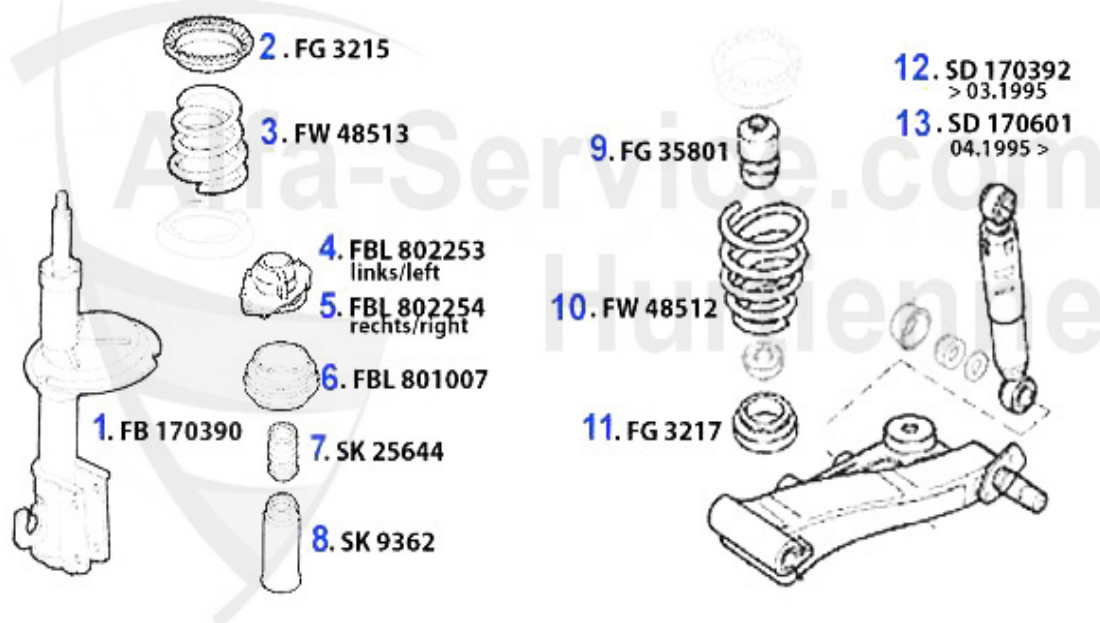
| | | | |
|----------|-----------------|---|------------------|
| 1 | BS517136 | latiguillo de freno delantero 145/6 1.4/1.6/1.7 ie/16V/ | 15.99 EUR |
| 2 | BS516717 | latiguillo de freno trasero 155 sin ABS >96 | 11.79 EUR |
| 3 | BS516716 | latiguillo de freno trasero 145/6,155 gtv/spider (916) | 16.31 EUR |

Handbremsseil/Brake Cable 155



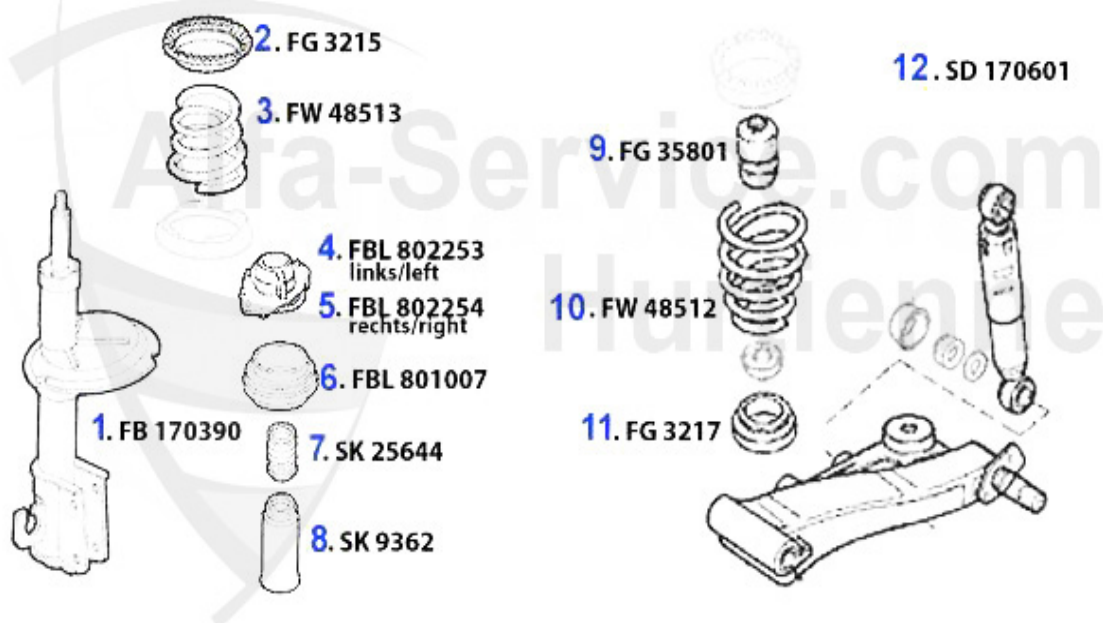
| | | | |
|---|----------|---|-----------|
| 1 | HS165110 | cable de freno de mano delantero 145/6, 147,155,spider/ | 19.08 EUR |
| 2 | HS25125 | cable freno de mano der. 145/6 (montaje frenos de disco | 22.36 EUR |
| 3 | HS25126 | Handbremsseil links 155 | 26.48 EUR |

Federbeine/Struts 155 TS 8V



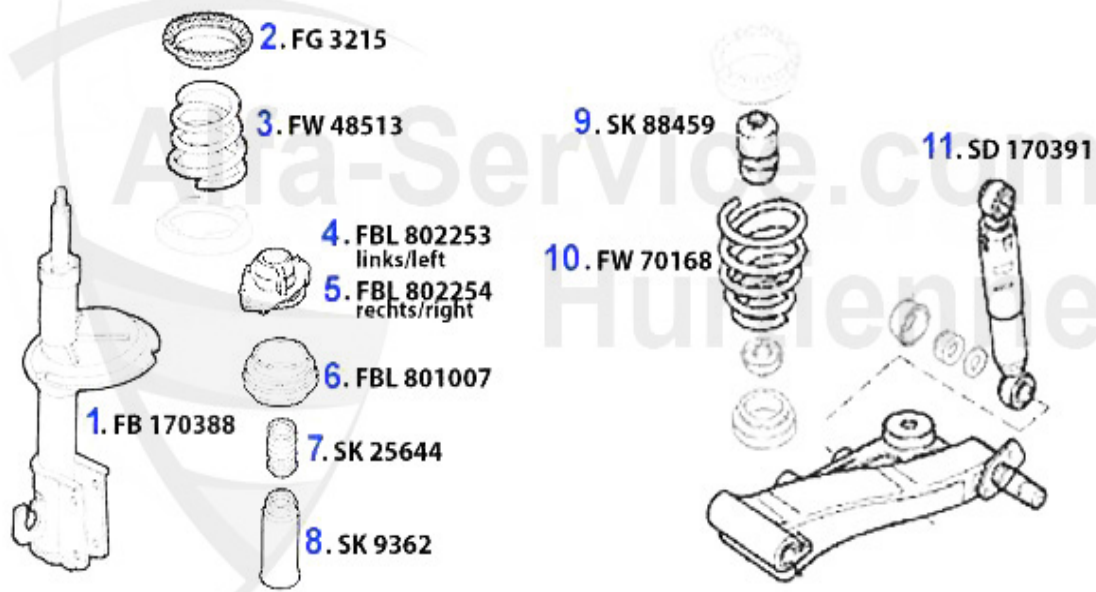
| | | | |
|----|-----------|---|------------|
| 1 | FB170390 | amortiguador delantero 145/6 1.9 TD >11.96, 155 4 cil., | 165.01 EUR |
| 2 | FG3215 | aro caucho para amortiguador delantero 145/6, 155 | 14.49 EUR |
| 6 | FBL801007 | aro amortiguador delantero 145/6,155 | 24.89 EUR |
| 7 | SK25644 | tope para amortiguador 145/6,155 | 19.49 EUR |
| 8 | SK9362 | protección amortiguador delantero 145/6,155 | 4.17 EUR |
| 9 | FG35801 | tope para amortiguador trasero 145/6,155 | 6.90 EUR |
| 12 | SD170392 | amortiguador trasero 155 >03.95 gas doble efecto | 64.63 EUR |
| 13 | SD170601 | amortiguador trasero 145/6,155 4.95> simple efecto | 94.08 EUR |

Federbeine/Struts 155 TS 16V



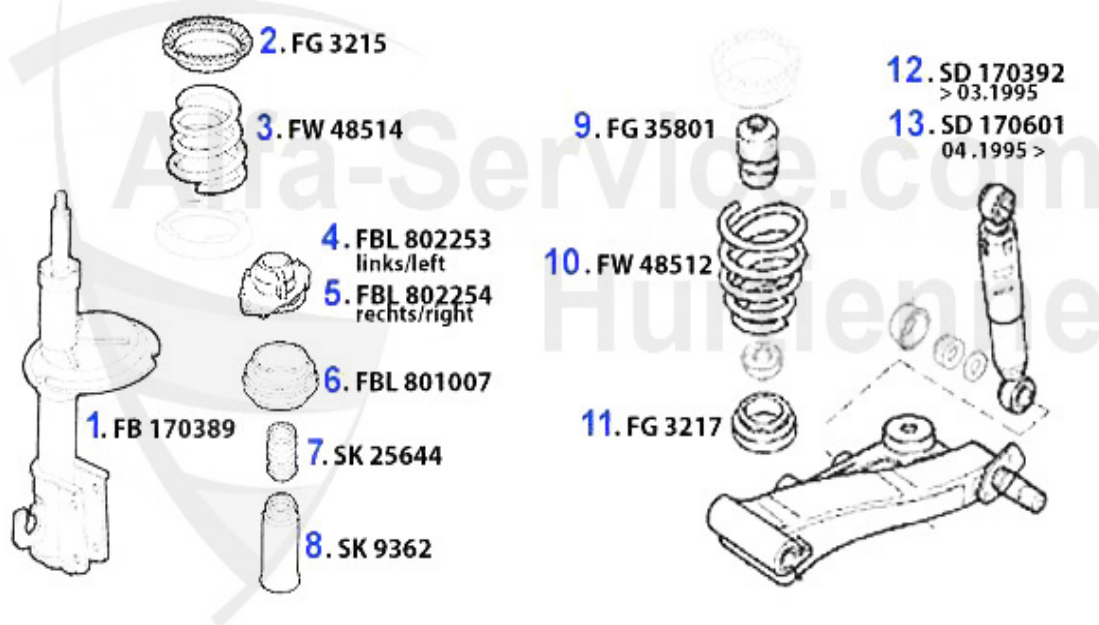
| | | | |
|----|-----------|---|------------|
| 1 | FB170390 | amortiguador delantero 145/6 1.9 TD >11.96, 155 4 cil., | 165.01 EUR |
| 2 | FG3215 | aro caucho para amortiguador delantero 145/6, 155 | 14.49 EUR |
| 6 | FBL801007 | aro amortiguador delantero 145/6,155 | 24.89 EUR |
| 7 | SK25644 | tope para amortiguador 145/6,155 | 19.49 EUR |
| 8 | SK9362 | protección amortiguador delantero 145/6,155 | 4.17 EUR |
| 9 | FG35801 | tope para amortiguador trasero 145/6,155 | 6.90 EUR |
| 12 | SD170601 | amortiguador trasero 145/6,155 4.95> simple efecto | 94.08 EUR |

Federbeine/Struts 155 Turbo Q4 16V



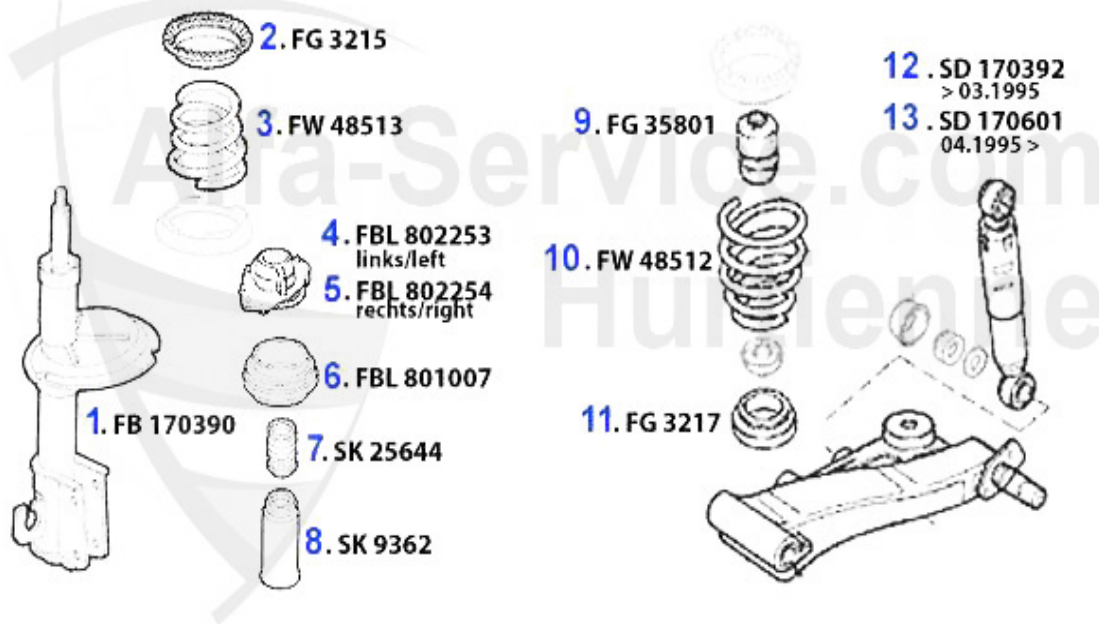
| | | | |
|----|-----------|---|------------|
| 1 | FB170388 | amortiguador delantero 155 TD, Turbo 16V 145 1.9 JTD ga | 148.75 EUR |
| 2 | FG3215 | aro caucho para amortiguador delantero 145/6, 155 | 14.49 EUR |
| 6 | FBL801007 | aro amortiguador delantero 145/6,155 | 24.89 EUR |
| 7 | SK25644 | tope para amortiguador 145/6,155 | 19.49 EUR |
| 8 | SK9362 | protección amortiguador delantero 145/6,155 | 4.17 EUR |
| 9 | SK88459 | protección tope trasero 145/6 155, spider/gtv (916) | 32.50 EUR |
| 11 | SD170391 | amortiguador trasero 155 Turbo 16V gas doble efecto | 101.55 EUR |

Federbeine/Struts 155 2.5 V6



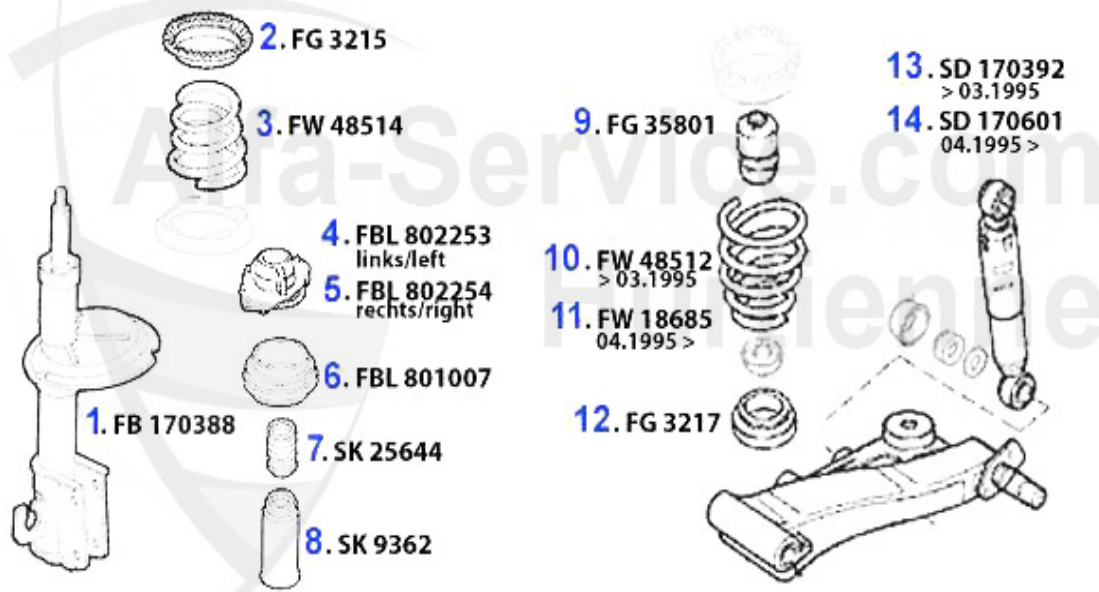
| | | | |
|-----------|------------------|--|------------------|
| 2 | FG3215 | aro caucho para amortiguador delantero 145/6, 155 | 14.49 EUR |
| 6 | FBL801007 | aro amortiguador delantero 145/6,155 | 24.89 EUR |
| 7 | SK25644 | tope para amortiguador 145/6,155 | 19.49 EUR |
| 8 | SK9362 | protección amortiguador delantero 145/6,155 | 4.17 EUR |
| 9 | FG35801 | tope para amortiguador trasero 145/6,155 | 6.90 EUR |
| 12 | SD170392 | amortiguador trasero 155 >03.95 gas doble efecto | 64.63 EUR |
| 13 | SD170601 | amortiguador trasero 145/6,155 4.95> simple efecto | 94.08 EUR |

Federbeine/Struts 155 1.9 TD



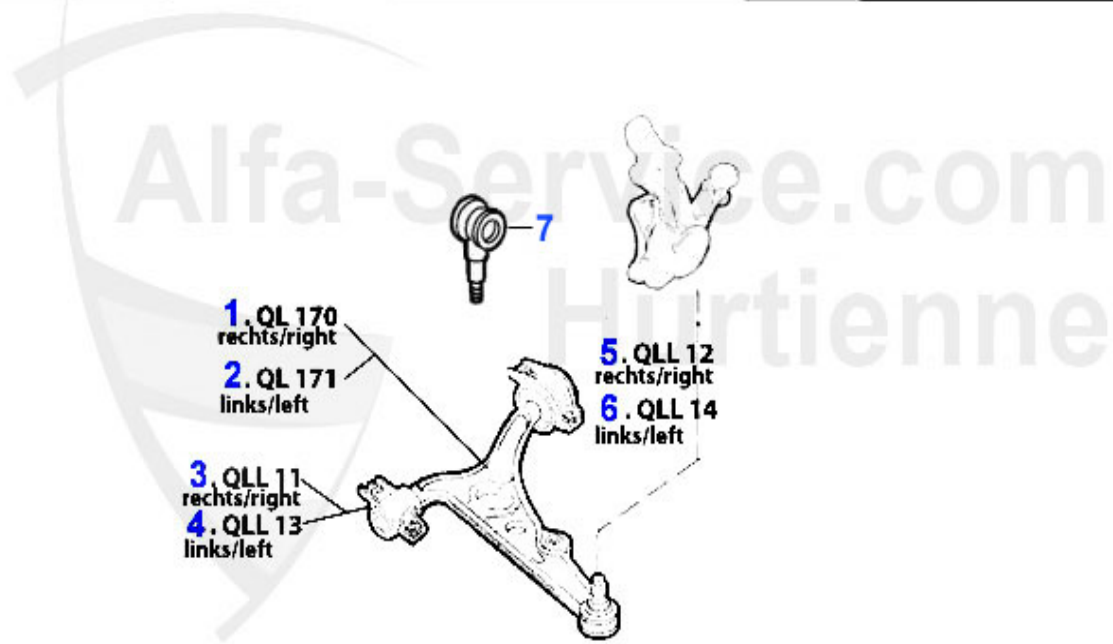
| | | | |
|----|-----------|---|------------|
| 1 | FB170390 | amortiguador delantero 145/6 1.9 TD >11.96, 155 4 cil., | 165.01 EUR |
| 2 | FG3215 | aro caucho para amortiguador delantero 145/6, 155 | 14.49 EUR |
| 6 | FBL801007 | aro amortiguador delantero 145/6,155 | 24.89 EUR |
| 7 | SK25644 | tope para amortiguador 145/6,155 | 19.49 EUR |
| 8 | SK9362 | protección amortiguador delantero 145/6,155 | 4.17 EUR |
| 9 | FG35801 | tope para amortiguador trasero 145/6,155 | 6.90 EUR |
| 12 | SD170392 | amortiguador trasero 155 >03.95 gas doble efecto | 64.63 EUR |
| 13 | SD170601 | amortiguador trasero 145/6,155 4.95> simple efecto | 94.08 EUR |

Federbeine/Struts 155 2.5 TD



| | | | |
|----|-----------|---|------------|
| 1 | FB170388 | amortiguador delantero 155 TD, Turbo 16V 145 1.9 JTD ga | 148.75 EUR |
| 2 | FG3215 | aro caucho para amortiguador delantero 145/6, 155 | 14.49 EUR |
| 6 | FBL801007 | aro amortiguador delantero 145/6,155 | 24.89 EUR |
| 7 | SK25644 | tope para amortiguador 145/6,155 | 19.49 EUR |
| 8 | SK9362 | protección amortiguador delantero 145/6,155 | 4.17 EUR |
| 9 | FG35801 | tope para amortiguador trasero 145/6,155 | 6.90 EUR |
| 13 | SD170392 | amortiguador trasero 155 >03.95 gas doble efecto | 64.63 EUR |
| 14 | SD170601 | amortiguador trasero 145/6,155 4.95> simple efecto | 94.08 EUR |

Aufhängung/Attachment 155 vorne/front



| | | | |
|---|--------|--|-----------|
| 1 | QL170 | brazo susp. del. der. (triangulo completo) 145,146,155, | 74.99 EUR |
| 2 | QL171 | brazo susp. del. izq. (triangulo completo) 145,146,155,g | 75.51 EUR |
| 3 | QLL11 | silent bloc triangulo inf. der./int. 145/6, 155,gtv/spi | 9.50 EUR |
| 4 | QLL13 | silent bloc triangulo inf. izq./int. 145/6,155,gtv/spid | 9.50 EUR |
| 5 | QLL12 | silent bloc triangulo inf. der./ext. 145/6,155, gtv/spi | 11.50 EUR |
| 6 | QLL14 | silent bloc triangulo inf. izq./ext. 145/6,155,gtv/spid | 11.50 EUR |
| 7 | SS1502 | Stabilisatorarm/Pendelstütze 145/6,155,spider/gtv (916) | 24.50 EUR |

Radlager/Wheel Bearing 155 TS 8V

vorne/front:



hinten/rear:



| | | | |
|---|--------|---|------------|
| 1 | RL9051 | kit rodamiento de rueda delantera 145/6,155 (Q4 aussi t | 59.00 EUR |
| 2 | RN3401 | cubo de rueda delantera 145/6, 155,164 2.0 TS | 66.68 EUR |
| 3 | RN3402 | cubo de rueda trasera 145/6,155 sin ABS (con rodamiento | 56.93 EUR |
| 4 | RN3404 | cubo de rueda trasera 145/6,155 (con rodamiento, con ar | 123.11 EUR |

Radlager/Wheel Bearing 155 TS 16V

vorne/front:



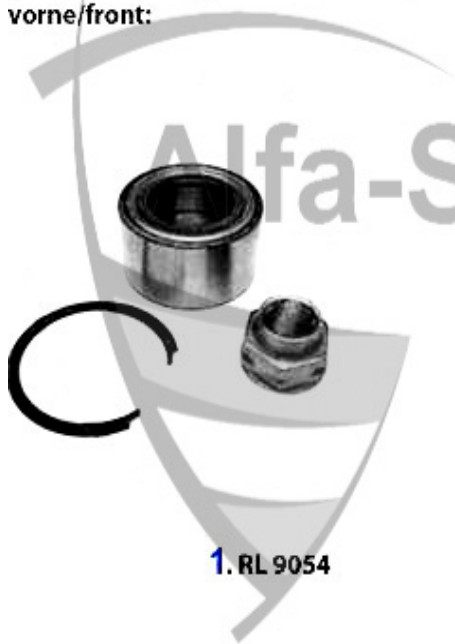
hinten/rear:



| | | | |
|---|--------|---|------------|
| 1 | RL9051 | kit rodamiento de rueda delantera 145/6,155 (Q4 aussi t | 59.00 EUR |
| 2 | RN3401 | cubo de rueda delantera 145/6, 155,164 2.0 TS | 66.68 EUR |
| 3 | RN3402 | cubo de rueda trasera 145/6,155 sin ABS (con rodamiento | 56.93 EUR |
| 4 | RN3404 | cubo de rueda trasera 145/6,155 (con rodamiento, con ar | 123.11 EUR |

Radlager/Wheel Bearing 155 Turbo Q4

vorne/front:



1. RL 9054

hinten/rear:



| | | | |
|---|--------|---|------------|
| 1 | RL9054 | kit rodamiento de rueda delantera 155 2.0 16V Turbo, 16 | 85.00 EUR |
| 2 | RN3402 | cubo de rueda trasera 145/6,155 sin ABS (con rodamiento | 56.93 EUR |
| 3 | RN3404 | cubo de rueda trasera 145/6,155 (con rodamiento, con ar | 123.11 EUR |

155 > suspension > rodamientos de rueda 2.5 V6



| | | | |
|----------|---------------|--|-------------------|
| 1 | RL9054 | kit rodamiento de rueda delantera 155 2.0 16V Turbo, 16 | 85.00 EUR |
| 2 | RN3402 | cubo de rueda trasera 145/6,155 sin ABS (con rodamiento | 56.93 EUR |
| 3 | RN3404 | cubo de rueda trasera 145/6,155 (con rodamiento, con ar | 123.11 EUR |
| 4 | RN6057 | Radnabe vorne 145/6 (99-20) AR155 Turbo, 155 2,5 V6 92- | 69.00 EUR |

Radlager/Wheel Bearing 155 1.9 TD

vorne/front:



hinten/rear:



| | | | |
|---|--------|---|------------|
| 1 | RL9051 | kit rodamiento de rueda delantera 145/6,155 (Q4 aussi t | 59.00 EUR |
| 2 | RN3401 | cubo de rueda delantera 145/6, 155,164 2.0 TS | 66.68 EUR |
| 3 | RN3402 | cubo de rueda trasera 145/6,155 sin ABS (con rodamiento | 56.93 EUR |
| 4 | RN3404 | cubo de rueda trasera 145/6,155 (con rodamiento, con ar | 123.11 EUR |

Radlager/Wheel Bearing 155 2.5 TD

vorne/front:



hinten/rear:



| | | | |
|---|--------|---|------------|
| 1 | RL9054 | kit rodamiento de rueda delantera 155 2.0 16V Turbo, 16 | 85.00 EUR |
| 2 | RN3402 | cubo de rueda trasera 145/6,155 sin ABS (con rodamiento | 56.93 EUR |
| 3 | RN3404 | cubo de rueda trasera 145/6,155 (con rodamiento, con ar | 123.11 EUR |

Lenkung/Steering 155



1. SSK189
links/left
Konus/CONE 13 mm

2. SSK 188
rechts/right
Konus/CONE 13 mm

3. SSK 64
links/left
Konus/CONE 14 mm

4. SSK 65
rechts/right
Konus/CONE 14 mm



5. SSK 115
links/rechts
left/right
4-Cyl.

6. SSK 1100
links/rechts
left/right
6-Cyl.

7. LMS 83588
-2.0 TS 16V/2.5 V6
Q4/TD

8. LMS 83871
+2.0 TS 16V/2.5 V6
Q4/TD



| | | | |
|----------|-----------------|---|------------------|
| 1 | SSK188 | rotula direccion der. 145/6,155, gtv/spider (916) (rosc | 55.00 EUR |
| 3 | SSK64 | rotula direccion ext. izq. 155,spider gtv (916) (rosca | 34.00 EUR |
| 4 | SSK65 | rotula direccion ext. der. 155, spider/gtv (916) (rosca | 34.00 EUR |
| 5 | SSK115 | rotula direccion 145/6,155 TD/JTD spider/gtv (916) V6 | 45.01 EUR |
| 6 | SSK1100 | rotula direccion ext. 145/6,155, spider/gtv (916) | 45.01 EUR |
| 7 | LMS83588 | fuelle direccion izq./der. 155, gtv/spider (916) | 24.30 EUR |
| 8 | LMS83871 | fuelle direccion 145/6 2.0 TS, 155 2.0 TS 16V/2.5 V6/2. | 24.50 EUR |

155 > electricidad > fusible



| | | | |
|---|--------|----------------------------|-------------------|
| 1 | FSI075 | Flachsteck-Sicherung 7,5 A | 0.20 EUR |
| 2 | FSI010 | Flachsteck-Sicherung 10 A | 0.20 EUR |
| 3 | FSI020 | Flachsteck-Sicherung 20 A | 0.20 EUR |
| 4 | FSI025 | Flachsteck-Sicherung 25 A | 0.20 EUR |
| 5 | FSI030 | Flachsteck-Sicherung 30 A | Preis auf Anfrage |



1 GK908

Glühkerze Beru 145/6 1.9 TD Bj. >2. 99,155 1.9/2.5 TD,1

10.00 EUR

155 > electricidad > electricidad motor > sensores



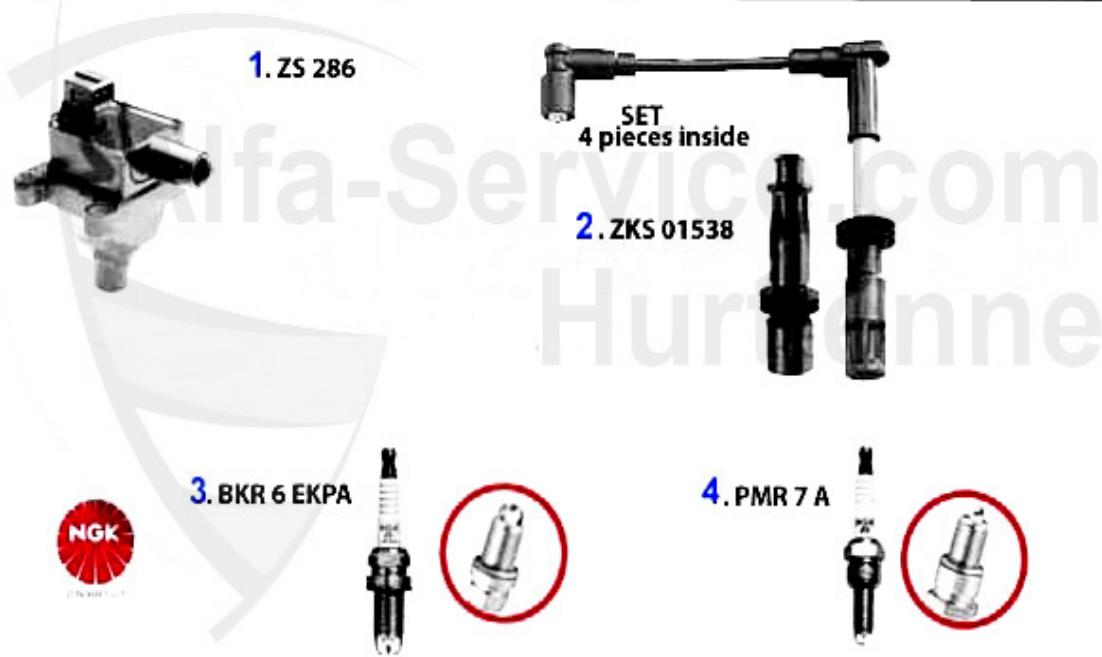
| | | | |
|---|------------|---|------------|
| 1 | WTG6006 | Geber Kühlwassertemperatur 155 2.0 Turbo 4x4 | 16.01 EUR |
| 1 | WTG60149 | Geber Kühlwassertemperatur 145/6, 155, 156, gtv/spider | 16.01 EUR |
| 1 | WTG60189 | Geber Kühlwassertemperatur 75 1.8 T urbo,164 2.0 Turbo, | 13.99 EUR |
| 1 | WTG6028 | Geber Kühlwassertemperatur Sud/Spri nt,33 (905/7),145/6 | 14.90 EUR |
| 1 | WTG60114 | Geber Kühlwassertemperatur 33 (905/ 7),145/6 Bj. >96,75 | 14.90 EUR |
| 1 | WTG6025 | Geber Kühlwassertemperatur 155,164 Super 2.5 TD | 15.99 EUR |
| 1 | WTG6035 | Geber Kühlwassertemperatur 145/6,15 5 1.9 TD | 20.49 EUR |
| 2 | KWS69866 | Kurbelwellensensor TS 16V | 45.90 EUR |
| 2 | NWS92752 | Klopfsenor Spider/GTV (916) 164, 155, 156, 166, 145, 14 | 39.90 EUR |
| 2 | KWS69912 | Nockenwellen-Sensor 145/6,147,155, 156,Nuovo GT,gtv/spi | 69.00 EUR |
| 2 | KWS13208 | Kurbelwellen-Sensor 33,75,145/6,155 ,164/Super,Spider ' | 129.00 EUR |
| 3 | ODS4040127 | Öldruckschalter 145/6,147,155,156,1 66,gtv/spider (916) | 12.00 EUR |
| 3 | ODS404068 | Öldruckschalter 147,155,156,164,166 gtv/spider (916),Nu | 15.51 EUR |
| 3 | ODS4040109 | Öldruckschalter 155 Bj. >96 1.7 TS, 164/Super 2.0 TS (m | 6.49 EUR |
| 4 | ODG505002 | Öldruckgeber 105,116,6,75,90,155,16 4/Super,RZ,SZ | 45.01 EUR |
| 5 | RFS9098 | Rückfahrl.-Schalter 155,164 2.5 TD | 19.00 EUR |
| 5 | RFS9097 | Rückfahrl.-Schalter 155 Bj. 96>,164 Super,gtv/spider (9 | 29.00 EUR |
| 5 | RFS9076 | Rückfahrl.-Schalter 147,155, 156,gtv/spider (916),Nuovo | 12.00 EUR |
| 6 | THS2700 | Thermoschalter 145/6,155,164 (mit K (mit Kabel) | 54.99 EUR |
| 7 | NWS69912 | Nockenwellensensor TS 16V | 68.00 EUR |
| 8 | WTG60145 | sensores temperatura agua 33(905/7),75 155,164/Super,Sp | 28.50 EUR |

Zündanlage/Ignitionsystem 155 TS 8V



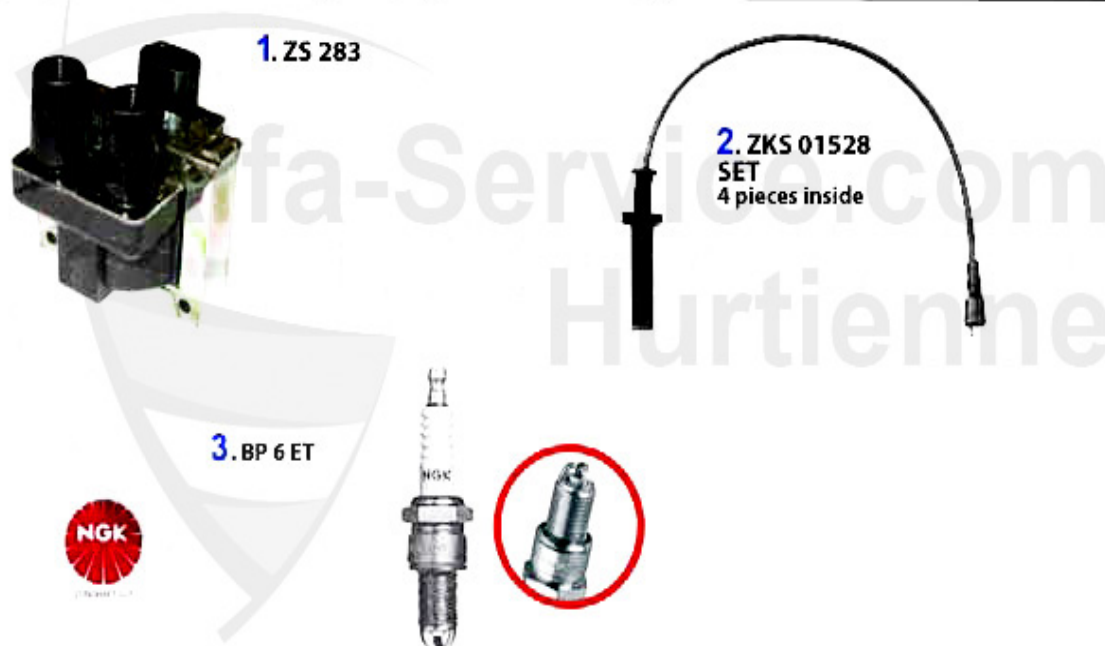
| | | | |
|----------|-----------------|---|-------------------|
| 1 | ZS068 | bobina 155 1.7-2.0 TS, 164 Super 2.0 TS | 100.60 EUR |
| 2 | ZKS01534 | haz encendido 155 TS 8V,164/Super 2.0 TS | 109.00 EUR |
| 3 | ZSG48798 | modulo ecendido 33 (907),145/6,155, 164/Super | 97.46 EUR |
| 4 | BCP 6 ES | bujia NGK 75 2.0 TS,155 1.7/1.8/2.0 TS 164 2.0 TS > | 5.90 EUR |
| 6 | 2HLDR | Zündkerze 2HLDR Golden Lodge Alfa 156 1.6/1.8/2.0/2.5 A | 9.00 EUR |

Zündanlage/Ignitionsystem 155 TS 16V



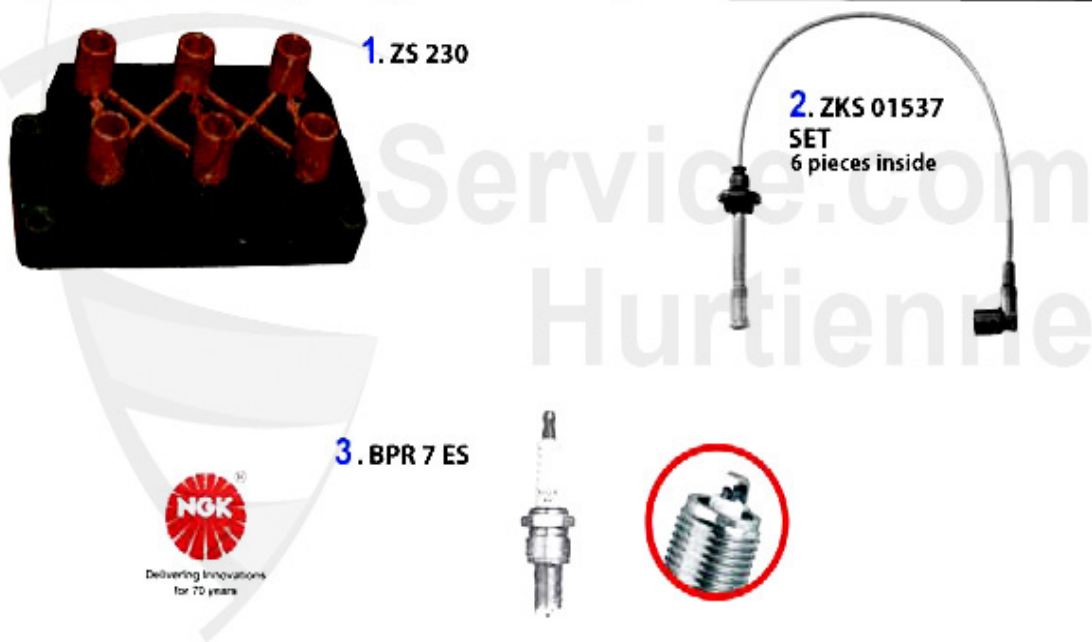
| | | | |
|---|------------|--|------------|
| 1 | ZS286 | bobina 145/6,155,156,spider/gtv (916) 1.6-2.0 TS, 95> | 67.00 EUR |
| 2 | ZKS01538 | haz encendido 145/6 1.4/1.6/1.8/2.0 ie 16V TS 97>, 155 | 199.00 EUR |
| 3 | BKR 6 EKPA | bujia NGK 2 electrodos 145/6,147,155,156 166 gtv/spider | 27.50 EUR |
| 4 | PMR 7 A | bujia NGK Iridium larga duracion 145/6, 147,155,156,166, | 27.50 EUR |

Zündanlage/Ignitionsystem 155 Q4



| | | | |
|---|----------|---|-----------|
| 1 | ZS283 | bobina33,145/6 1.4 ie 91-96 155 2.0 16V turbo 92-97 (e | 19.96 EUR |
| 2 | ZKS01528 | haz encendido 155 Turbo | 32.00 EUR |
| 3 | BP 6 ET | bujia NGK 3 electrodos 155 2.0 16V Turbo, series 105:re | 8.90 EUR |

Zündanlage/Ignitionsystem 155 2.5 V6



| | | | |
|----------|-----------------|--|--------------------------|
| 1 | ZS230 | bobina 155,164,166,spider/gtv (916) 2.5-3.0 V6 92> | Preis auf Anfrage |
| 2 | ZKS01537 | haz encendido 155 V6,166 V6 | 245.18 EUR |
| 3 | BPR 7 ES | bujia NGK 155 2.5 V6, 164 3.0 V6 | 4.07 EUR |

Aggregate/Aggregats 155 TS 8V

1. AN 15 600
> 1992



2. AN 16 910
1993 >



3. LI 39 330



| | | | |
|---|---------|--|------------|
| 2 | AN16910 | motor de arranque 155 1.7 TS - 2.0 TS | 209.27 EUR |
| 3 | LI39330 | alternador 155 1.7/1.8/2.0 TS > 96, 164 2.0 TS 11.90 | 286.22 EUR |

Aggregate/Aggregats 155 TS 16V

1. AN 16 910
>06.1995



2. AN 17 770
06.1995>



3. LI 62 660
Poly.-V 7



4. LI 40 645
Poly.-V 6
>1997



5. LI 40 630
Poly.-V 6
1998>



| | | | |
|----------|----------------|---|-------------------|
| 1 | AN16910 | motor de arranque 155 1.7 TS - 2.0 TS | 209.27 EUR |
| 2 | AN17770 | motor de arranque 145 1.7ie 16V/2.0 16V QV 03.98>, 147 | 174.99 EUR |
| 3 | LI62660 | alternador 145/6,155,156,gtv/spider (916) 2.0 TS | 276.98 EUR |
| 4 | LI40645 | alternador 145/6 (con clim) 155/6 1.6/1.8 16V TS (con c | 287.24 EUR |
| 5 | LI40630 | alternador 155 2.0 TS 16V 1998> | 224.66 EUR |

Aggregate/Aggregats 155 Q 4

1. AN 14 570



2. LI 36 785



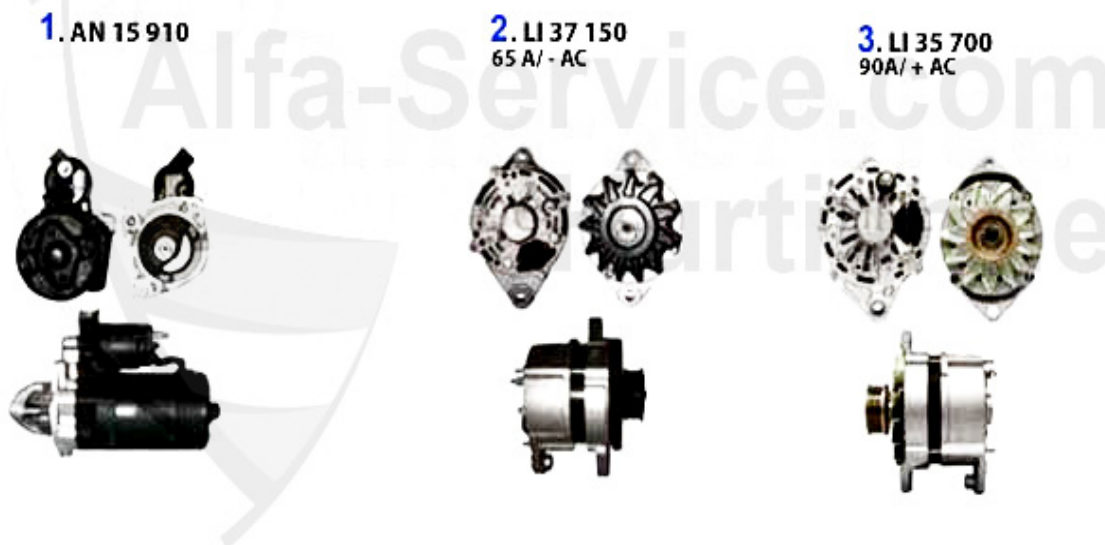
| | | | |
|---|---------|---|------------|
| 1 | AN14570 | motor de arranque 155/164 2.0 16V turbo | 173.37 EUR |
| 2 | LI36785 | alternador 155 2.0 16V Turbo | 318.02 EUR |

Aggregate/Aggregats 155 V6



| | | | |
|----------|----------------|--------------------------------|-------------------|
| 2 | LI60780 | alternador 155 2.5 V6 >03.94 | 323.14 EUR |
| 3 | LI40920 | alternador gtv/spider (916) V6 | 316.99 EUR |

Aggregate/Aggregats 155 1.9 TD



| | | | |
|----------|----------------|--|-------------------|
| 1 | AN15910 | motor de arranque 145/6,155 1.9 TD 66 KW | 287.24 EUR |
| 2 | LI37150 | alternador 155 1.9 TD 65A | 220.55 EUR |
| 3 | LI35700 | alternador 145/6 1.9 TD (con clim, 155 1.9 TD) | 306.73 EUR |

Aggregate/Aggregats 155 2.5 TD

1. AN 15 610



2. LI 61 130



| | | | |
|---|---------|---|------------|
| 1 | AN15610 | motor de arranque 33 1.8 TD, 155,164 2.5 TD | 306.73 EUR |
| 2 | LI61130 | alternador 155 1.9/2.5 TD,164 2.4 TD | 214.40 EUR |

155 > sistema limpia parabrisas > sistema limpia parabrisas



1 WB310

Wischblatt-Satz 145/6,155,166

27.50 EUR